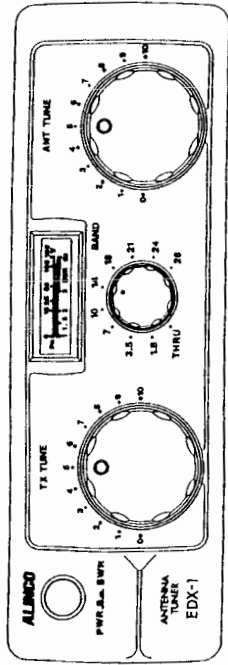
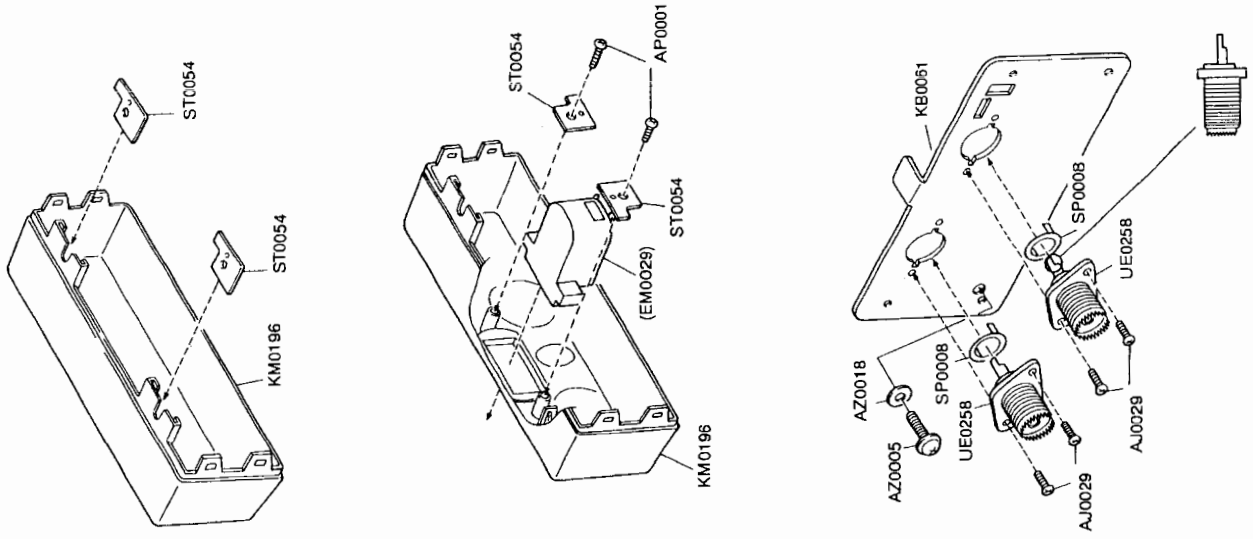
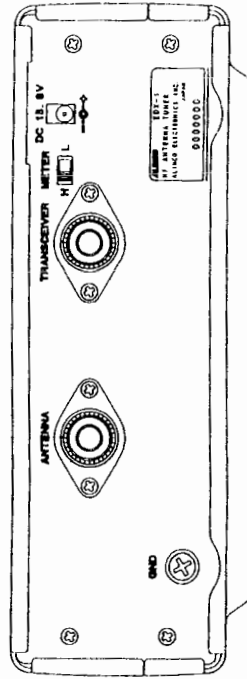


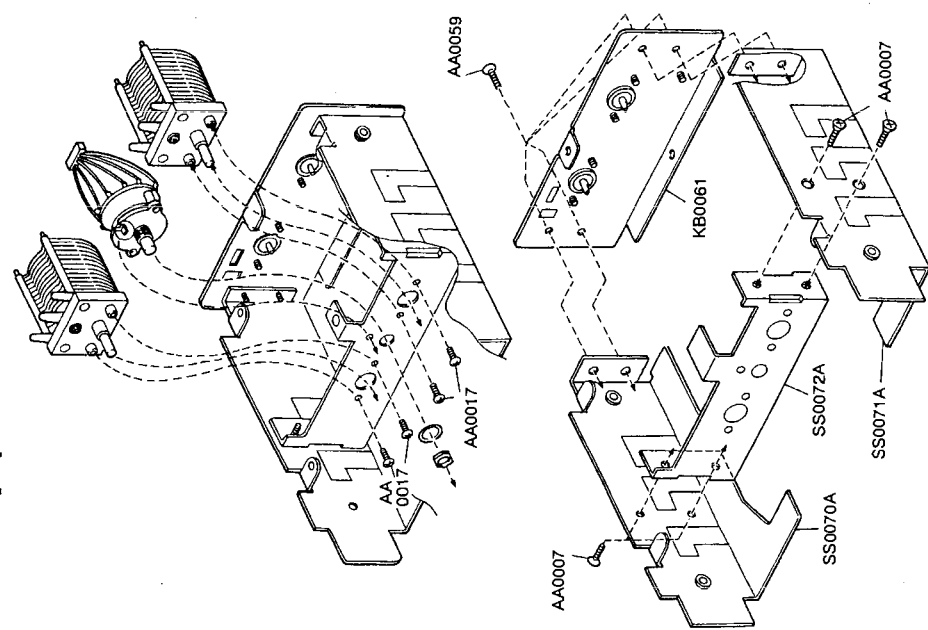
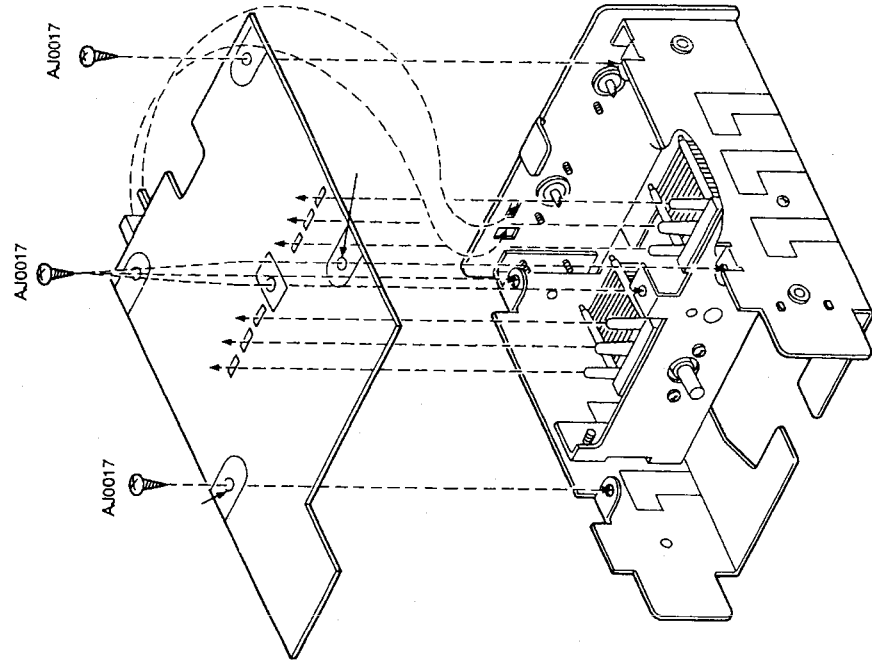
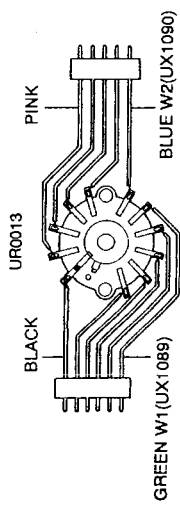
Exploded View for EDX-1

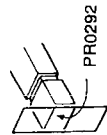
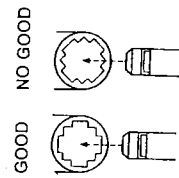
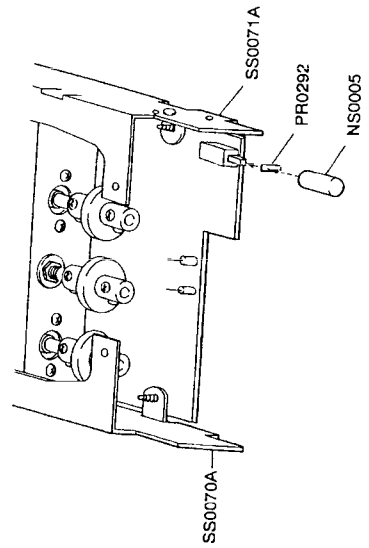
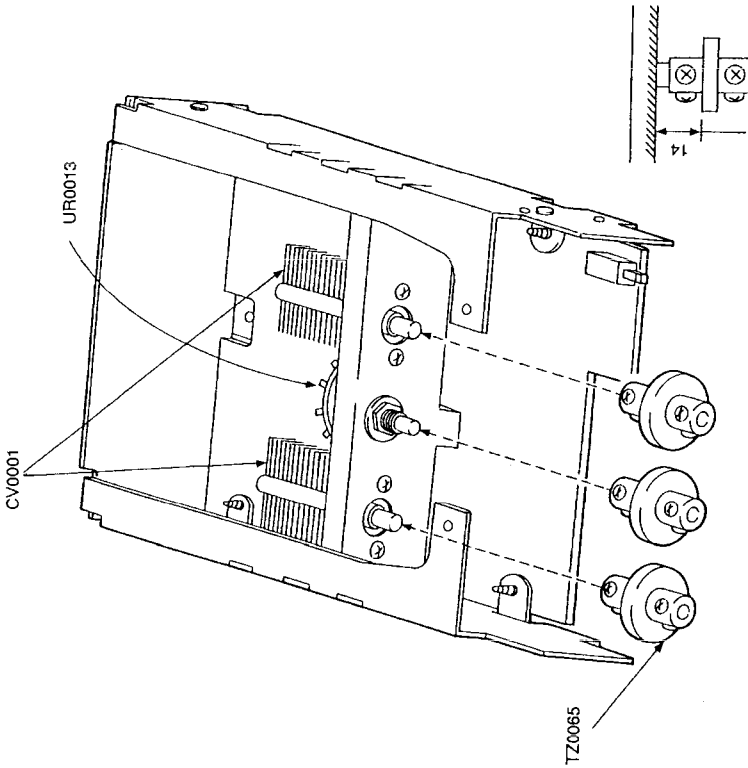
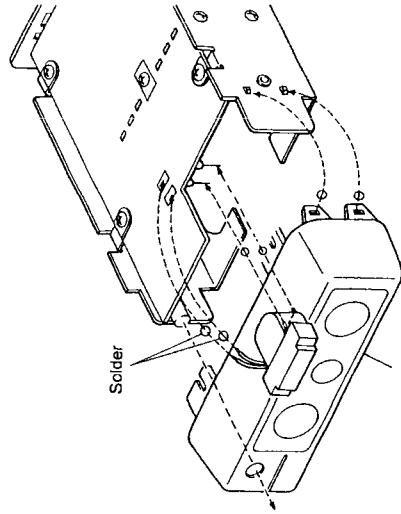
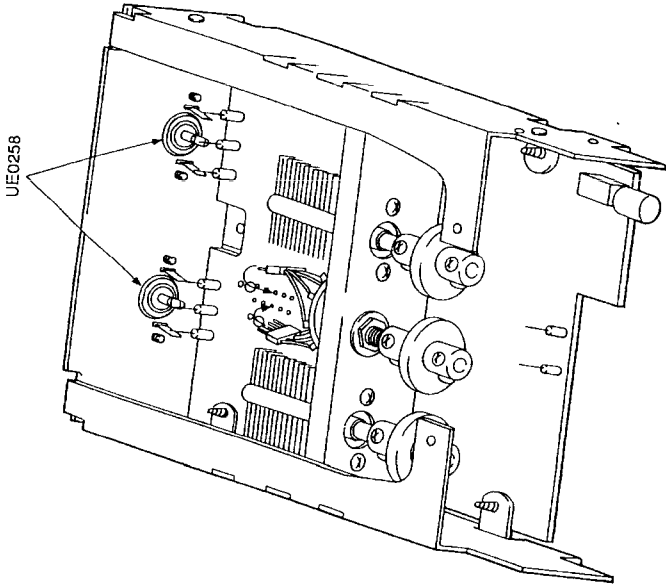
1) Front View

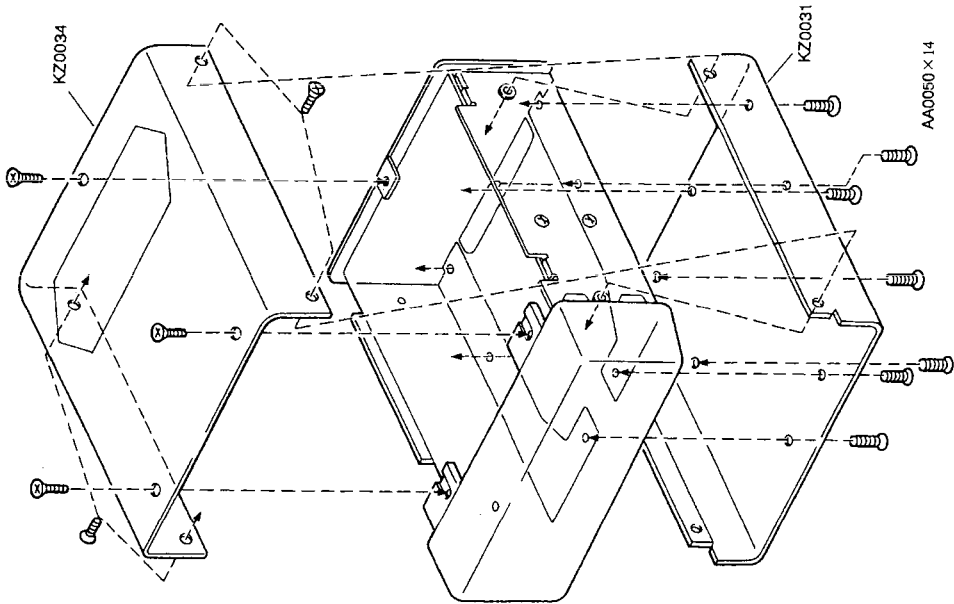
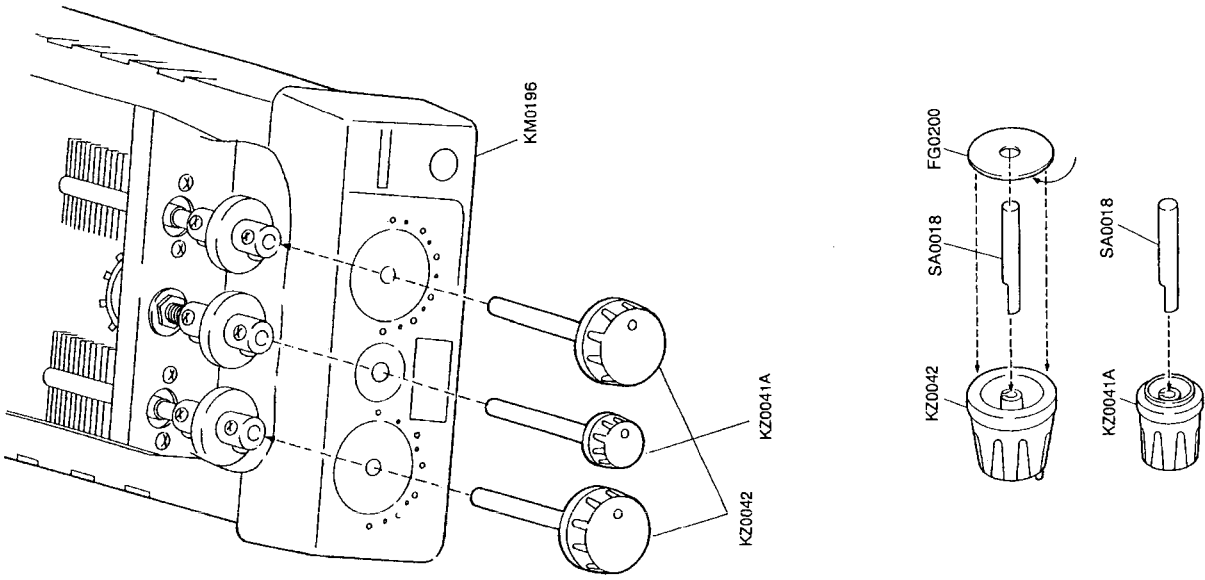


2) Rear View









Parts List for EDX-1

EDX -- 1 Tuner

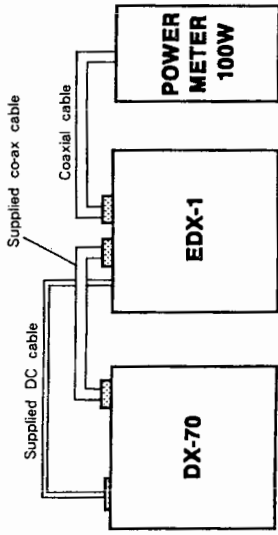
Ref. No.	Parts No.	Parts Name	Loc
		Tuner	
C1	CU3047	C1608.B1H103KT-A	A
C2	GE0201	16M105Z SEI	M
C3	GE0201	16M105Z SEI	M
C4	CU3047	C1608.B1H103KT-A	A
C5	CU3027	C1608CH14221KT-A	A
C6	CU3029	C1608.B1H331KT-A	A
C7	CU3031	C1608.B1H471KT-A	A
C8	CU3031	C1608.B1H471KT-A	A
C9	CU3101	C1608.B1C473KT-A	A
C10	CU3101	C1608.B1C473KT-A	A
C11	CU3101	C1608.B1C473KT-A	A
C12	CU3031	C1608.B1H471KT-A	A
C13	CU3044	C1608.B1H562KT-A	A
C14	CS0060	TWCSATE474MTR	A
C15	CU3047	C1608.B1H103KT-A	A
C16	CU3047	C1608.B1H103KT-A	A
C17	CU3047	C1608.B1H103KT-A	A
C18	CU3047	C1608.B1H103KT-A	A
C19	CU3047	C1608.B1H103KT-A	A
C20	CU3047	C1608.B1H103KT-A	A
C21		NC NC	
C22	CU3047	C1608.B1H103KT-A	A
C23	CU3047	C1608.B1H103KT-A	A
C24	CU3047	C1608.B1H103KT-A	A
C25	CU3047	C1608.B1H103KT-A	A
C26	CU3047	C1608.B1H103KT-A	A
C27	CU3047	C1608.B1H103KT-A	A
C28	CU3030	C1608.B1H391KT-A	A
C29	CU3047	C1608.B1H103KT-A	A
C30	CU3047	C1608.B1H103KT-A	A
D1	X00273	RLS-93 TE11	A
D2	X00297	MA8100 TX	A
D3	X00127	MA704WA TX	A
D4	X00273	RLS-93 TE11	A
D5	X00273	RLS-93 TE11	A
I C1	XA0224	NJM2904M-T1 JRC	A
I C2	XA0224	NJM2904M-T1 JRC	A
J1	UJ0033	HEC2781-010520	M
JP1	RD1013	JPW02 RD1	H
JP2	RD1013	JPW02 RD1	H
JP3	RD1013	JPW02 RD1	H

Ref. No.	Parts No.	Parts Name	Loc
JP4	RD1013	JPW02 R01	H
JP5	RD1013	JPW02 R01	H
JP6	RD1013	JPW02 R01	H
JP7	RD1013	JPW02 R01	H
JP8	RD1013	JPW02 R01	H
JP9	RD1013	JPW02 R01	H
JP10		NC NC	
JP11	RK1107	ERJ3GEV0R00V	A
L1	RD1013	JPW02 R01	H
L2	GR0013A	Toroidal Coil GR0013A	H
L3	OKB002	Coil OKB002	H
L4	OR0019	Toroidal Coil OR0019	H
L5	OR0020	Toroidal Coil OR0020	H
L6	OC0048	NL3225Z2T-100J	A
O1	XT0113	25C2873Y TE12L	A
O2	XU0148	DT0144EU T106	A
O3	XU0148	DT0144EU T106	A
R1	RK4087	ERJ14KJ151V	A
R2	RD0001	ERD S2TJ 100	M
R3	RK4029	ERJ-12VJ181H	A
R4	RK4024	ERJ-12VJ680H	A
R5	RK3050	ERJ3GSYJ103V	A
R6	RK3050	ERJ3GSYJ103V	A
R7	RK3052	ERJ3GSYJ153V	A
R8	RK3052	ERJ3GSYJ153V	A
R9	RK3050	ERJ3GSYJ683V	A
R10	RK3062	ERJ3GSYJ104V	A
R11	RK3062	ERJ3GSYJ104V	A
R12	RK3062	ERJ3GSYJ103V	A
R13	RK3050	ERJ3GSYJ103V	A
R14	RK3050	ERJ3GSYJ124V	A
R15	RK3053	ERJ3GSYJ124V	A
R16	RK3048	ERJ3GSYJ682V	A
R17	RK3050	ERJ3GSYJ103V	A
R18	RK3054	ERJ3GSYJ223V	A
R19	RK3048	ERJ3GSYJ682V	A
R20	RK3050	ERJ3GSYJ103V	A
R21	RK3050	ERJ3GSYJ103V	A
R22	RK3057	ERJ3GSYJ393V	A
R23	RK3074	ERJ3GSYJ105V	A
R24	RK3057	ERJ3GSYJ393V	A
R25	RK3057	ERJ3GSYJ393V	A
R26	RK3062	ERJ3GSYJ104V	A

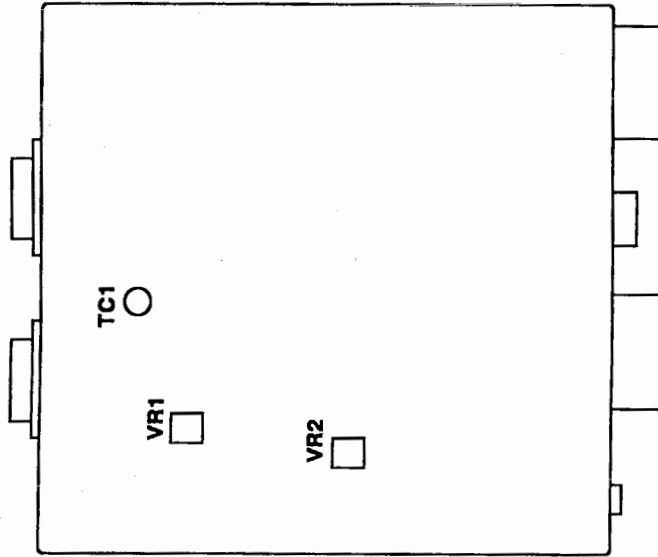
Ref. No.	Parts No.	Parts Name	Loc
R27	RK3050	ERJ3GSYJ103V	A
R28	RK0001	ERJ3GEYJ100V	A
R29	RK3026	ERJ3GSYJ101V	A
R30	RK3070	ERJ3GSYJ474V	A
R31	RK3026	ERJ3GSYJ101V	A
RL1	UL0015	SVR-12	M
RL2	UL0015	SVR-12	M
SW1	U00015	SPPZ27Z7A	M
SW2	UR0013	SRRY101AN-R15	M
SW3	US0020	ESD1522209	H
TC1	CT0036	ECV12W2D164T	M
VC1	CV0001	UV44B 300P	H
VC2	CV0001	UV44B 300P	H
VRI	RHD105	EWMTYS508Y4	H
VR2	RHD106	EWMTYS50804	A
W1	UX1089	Wires EDX-1 1	H
W2	UX1090	Wires EDX-1 2	H
W3	UX1091	Wires EDX-1 3	H
W4	UX1091	Wires EDX-1 3	H
	UP291	EDX-1 PC Board	T
R33	RK3046	ERJ3GSYJ472V	A
R32	RK1011	ERJ3GEYJ470V 1A	A

Parts No.		Parts Name	Loc	QTY
HK0386A		PACKAGE EDX-1		1
HP0009		Protect. Bag (5X125X250)		1
HP00039		Protect. Bag (65X250X400)		1
HU0080		P.MTLCARTON(A)DX70		1
HU0082		P.MTLCARTON(A)DX70		1
HU0087		P.MTLCARTON(A)DX70		1
PS0229		INSTRUCTION MANUAL EDX1		2
PT0004A		SERIAL NO. FOR CARTON		1
UA0049		EDX1 DC CODE		1
UE0264		M-M CABLE EDX1		1
Mechanical Parts				
Parts No.		Parts Name	Loc	QTY
PR0288		LABEL(SCREW STRKR DX-70)		2
DS03898A		Serial No. PLATE(NEW)		1
AA0007		SCREW FH M2.6x6 Fe/Zn		4
AA0017		SCREW PH M3.8 Fe/Zn		4
AA50		SCREW OH M2.6x6 Fe/B.Zn		14
AA0059		SCREW BH M2.6x6 Fe/Ni		4
AD0005		SCREW PHD M4x10 Fe/Zn		1
AJ0017		SCREW TH T2.6x6 Fe/N		5
AJ0029		SCREW PH T3.6 Fe/Zn		4
AP0001		SCREW PH M2.6x6 Fe/Zn		2
AZ0018		WASHER PW 4X 10X0.8 Fe/Zn		1
EM0029		METER KL284A55		1
FG0200		DIAL PAT		2
KB0061		REAR CASE		1
KM0196		FRONT CASE		1
KZ0031		BOTTOM COVER DX-70		1
KZ0034		UPPERCASE EDX-1		1
KZ0041A		SUBDIAL EDX-1		1
KZ0042		DIAL DX-701		2
NS0005		SW KNOB(PS) CIRCLE		1
PR0292		LABEL (KNOB)		1
SA0018		STAY D6X60		3
SP0008		TERMINAL(GND DX-70)		2
SS0070A		CHASSIS(LEFT)		1
SS0071A		CHASSIS(RIGHT)		1
SS0072A		CHASSIS(CENTER)		1
ST0054		FIX METER		4
TZ0065		CUP RING C		3
UE0258		FM.M.D.R(4)		2
UR0013		CONNECTOR SRRY101AN-R15		1
UX1089		WIRE EDX-1 W1		1
UX1090		WIRE EDX-1 W2		1

Connection Example



Adjustment Point



Required Test Equipment for EDX-1

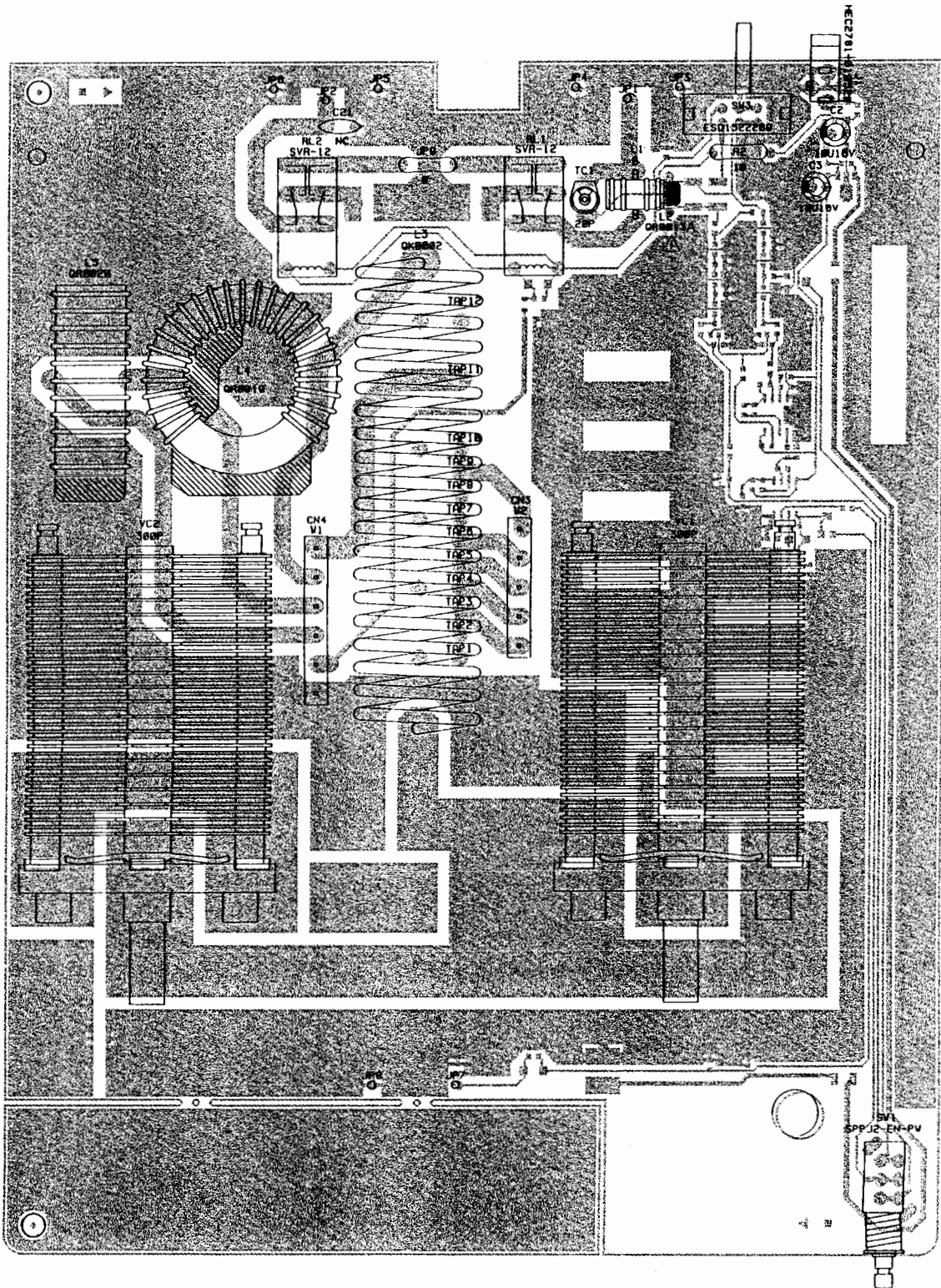
TX ON	BAND	SWR	METER	TX TUNE	ANT TUNE	METER READING	UNIT
14.1MHz 100W	1.8	ON	H	10	10	∞	SWR
14.1MHz 100W	THRU	OFF	H	-	-	100W	PWR
14.1MHz 10W	THRU	OFF	L	-	-	10W (100W on scale)	PWR
1.9MHz 100W	1.8	ON	H	4	4	1.5max.	SWR
3.6MHz 100W	3.5	ON	H	7	7	1.5max.	SWR
7.1MHz 100W	7	ON	H	6	6	1.5max.	SWR
10.1MHz 100W	10	ON	H	7.5	7.5	1.5max.	SWR
14.1MHz 100W	14	ON	H	8	8	1.5max.	SWR
18.1MHz 100W	18	ON	H	8.5	8.5	1.5max.	SWR
21.1MHz 100W	21	ON	H	9	9	1.5max.	SWR
24.9MHz 100W	24	ON	H	9	9	1.5max.	SWR
28.1MHz 100W	28	ON	H	9	9	1.5max.	SWR

Adjustment for EDX-1

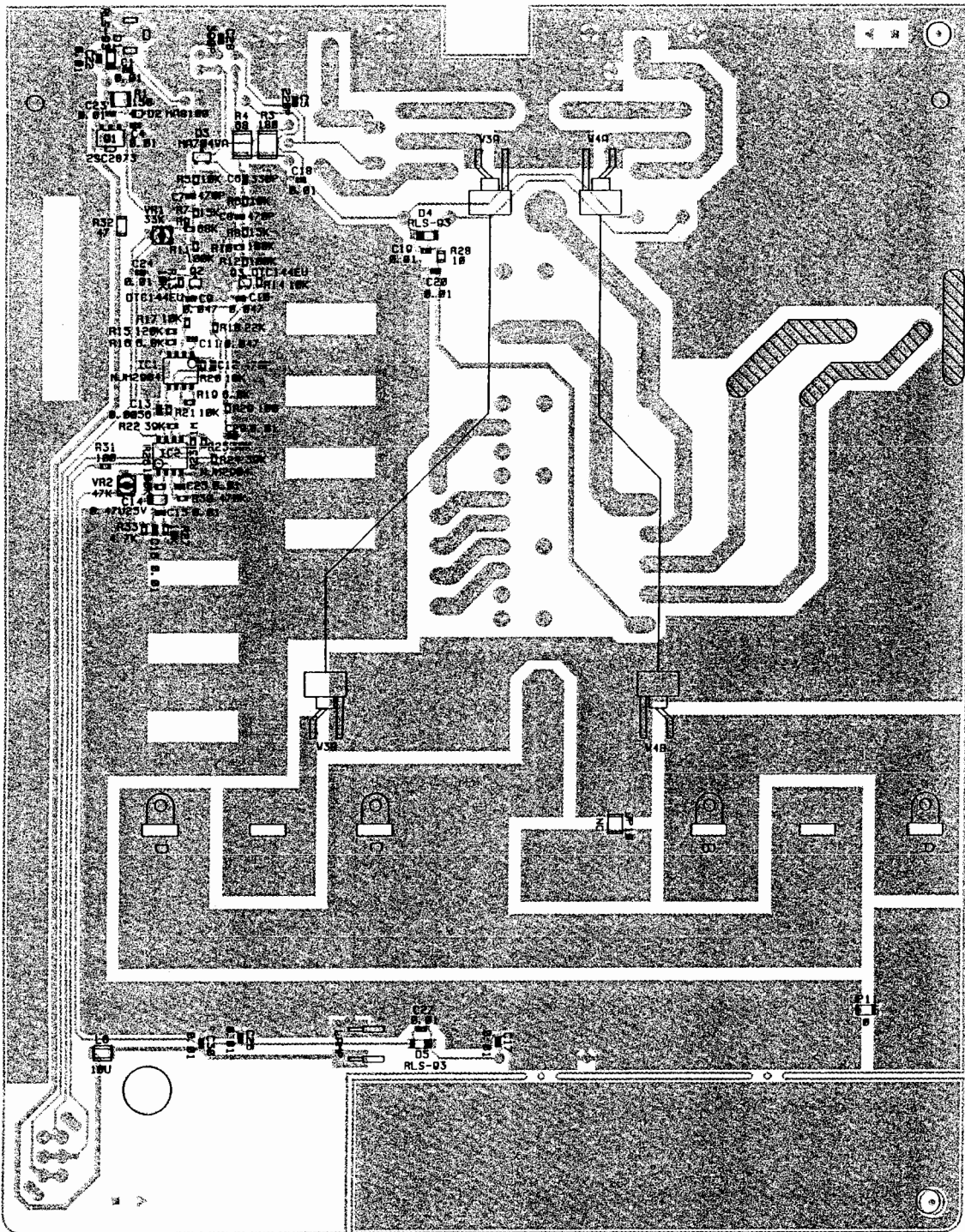
DX-70 TX FREQ. 14.1MHz TX POWER 100W							
BAND	SWR	METER	TX TUNE	ANT TUNE	ADJUST POINT	METER READING	
THRU	ON	H	-	-	TC 1	MIN	
1.8	ON	H	10	10	VR 2	∞	
THRU	OFF	H	-	-	VR1	100W	

PC Bord View for EDX-1

Side A



Side B



Schematic Diagram for EDX-1

