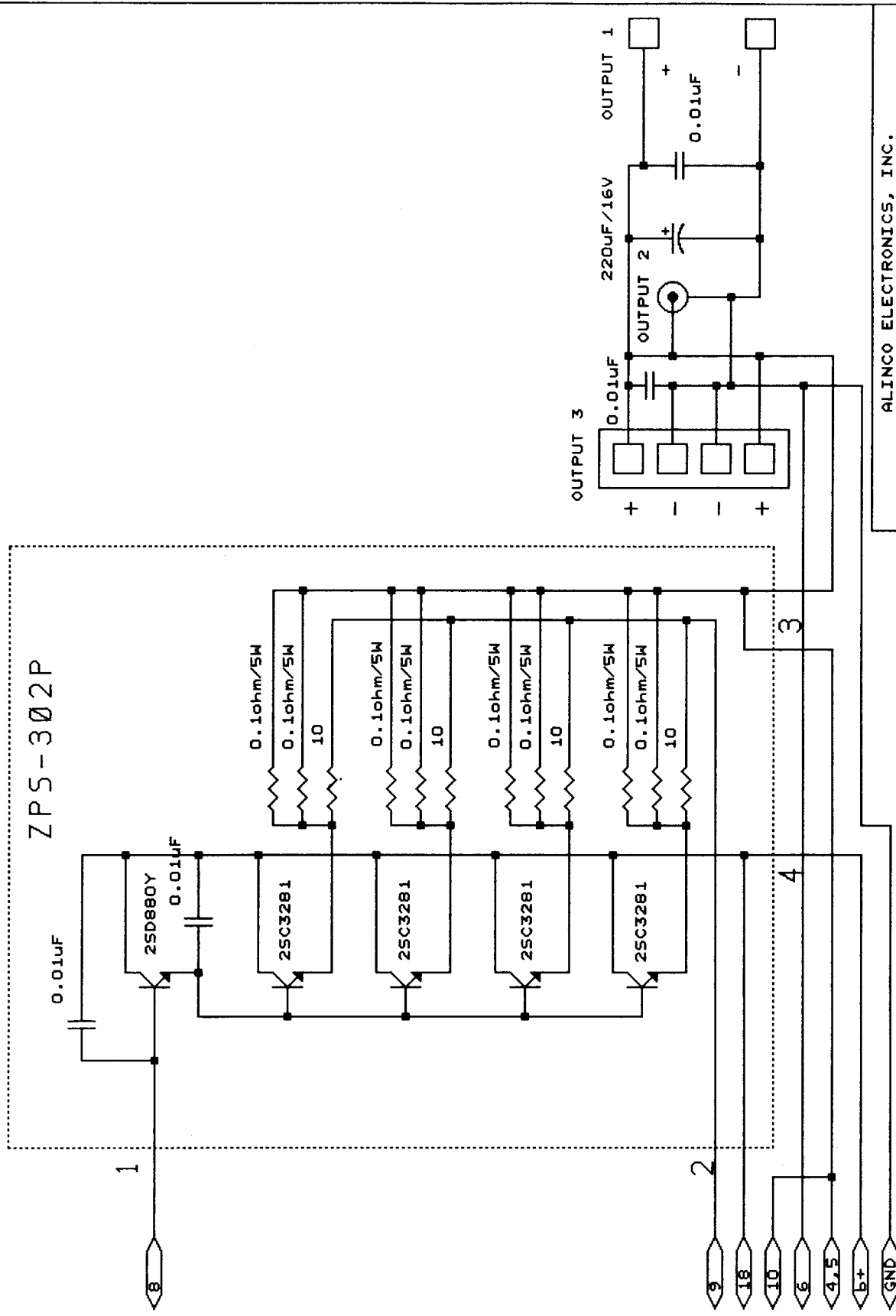


ALINCO ELECTRONICS, INC.	
Title	DM-1350 POWER SUPPLY SCHEMATIC DIAGRAM (1)
Size	Document Number
A	DM1350.sch
REV	A
Date:	March 11, 1996 Sheet 1 of 2

SDE KB3502

ZPS-302P



ALINCO ELECTRONICS, INC.	
Title	DM-1350 POWER SUPPLY SCHEMATIC DIAGRAM (2)
Size	Document Number
REV	DM13501.sch
A	A
Date:	March 12, 1996
Sheet	2 of 2