

For more detailed assembly and installation instructions, scan the QR code below to view our step-by-step installation video.

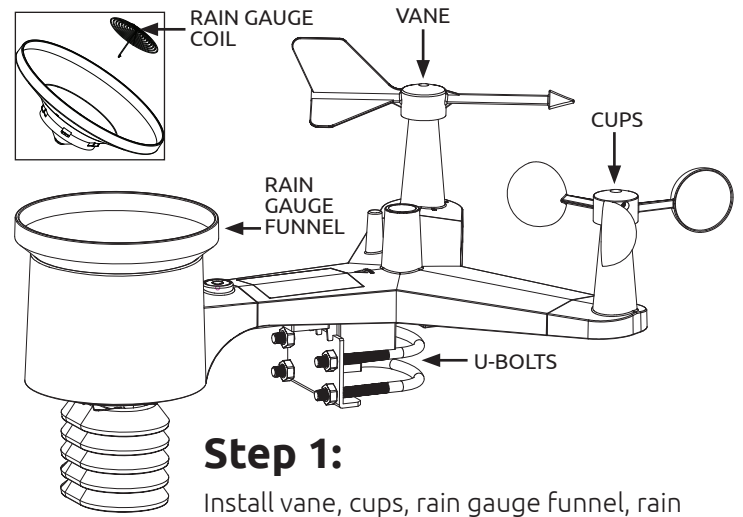


The package contains:

- All-In-One Outdoor Weather Sensor Array
- Display Console with Desk Stand
- Wind Vane
- Wind Cups
- Rain Gauge Funnel
- Rain Gauge Coil
- Mounting Hardware

What you will need:

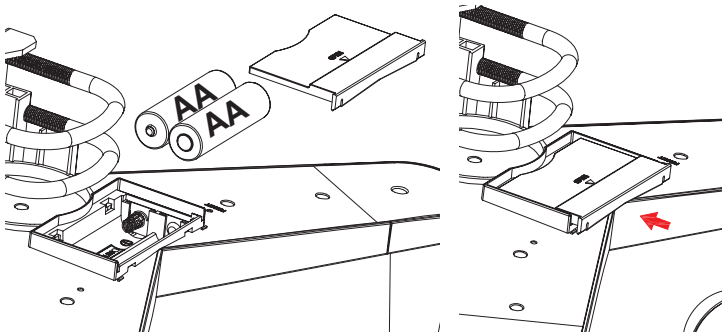
- Precision Screwdriver
- Adjustable Wrench or 10mm Wrench



Step 1:

Install vane, cups, rain gauge funnel, rain gauge coil and U-bolts (not mounting).

Note: We recommend assembling the station indoors and moving it outside once the setup process is complete.

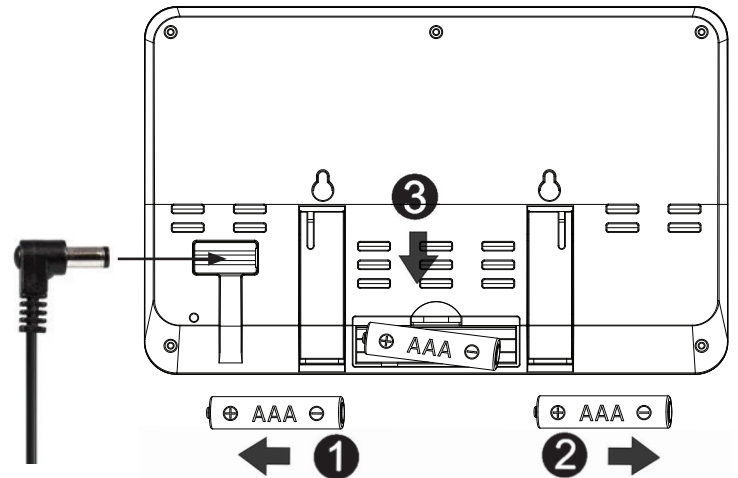


Step 2:

Insert the 2 - AA batteries into the bottom of the array and close the battery door completely.

Step 3:

Power up the console using the AC adapter. The console will also hold 3-AAA (not included) for backup battery power.



Step 4:

Install your array on a pole and tighten the U-bolts with a 10mm wrench. Please scan the QR code for mounting best practices.

Note: Supports poles 1.25-2" OD.

