
EZ-NPP Weather Station Mounting Tripod and Mast with Platform User Manual



Table of Contents

1.	Introduction.....	1
2.	Parts.....	2
3.	Warnings	2
4.	Recommended Tools and Materials	3
5.	Installation.....	3
5.1	Platform.....	3
5.2	Tripod.....	4
5.3	Mast.....	5
5.4	Ballast.....	6
6.	Optional Mounting Equipment	6
	EZ-125-35M 35” Mast Extension (Optional)	6
8.	Liability Disclaimer	7
7.	Warranty Information.....	7
9.	California Prop 65.....	7

1. Introduction

Avoid drilling lag screws into your flat roof top or concrete pad, the EZ-NPP is recommended for high wind installations, providing a strong platform with cinder blocks for ballast (cinder blocks are not included).

Ideal for non-penetrating flat roof and ground installations, the EZ-NPP tripod and mast assembly includes a sturdy, galvanized steel mounting platform. The platform is sized for four standard concrete cinder blocks as ballast.

The EZ-NPP Tripod assembly is constructed of 18 gauge 1008-10 steel tubing, galvanized using the Flo-Coat (zinc-chromate-polymer) process for excellent corrosion protection.

Ungalvanized mast collars, & connecting components are gold irridited for corrosion protection.

Mast collars feature a captive "stop-nut" design, to eliminate lock nut spin when tightened; and a mast supporting cup for additional stability.

Tripod height 33 inches (85.8 cm). Supplied with one mast for an assembly height of 53" inches (150.8 cm).

Add up to two mast extensions (EZ-125-35M) to extend the height of 31" per mast extension.

2. Parts

The EZ-NPP assembly includes the following components.



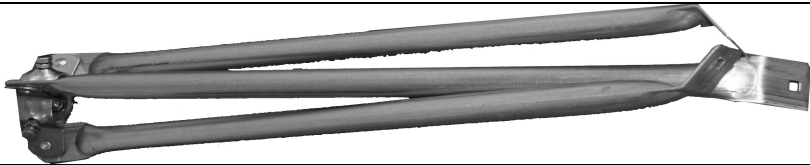





QTY	Description	Image
2	34.5" Steel Angle	
4	28.5" Steel Angle	
1	Tripod Assembly	
1	31" Lower Mast	
1	35" Swaged Upper Mast	
12	3/4" Bolt	
1	2 1/4" Bolt	
12	1/2" Lock Nut	

Figure 1

3. Warnings

⚠ WARNING: Improper installation of the mounting kit to your home or building may result in leaks. We recommend a licensed roofing specialist for invasive installations.

⚠ WARNING: Any metal object may attract a lightning strike, including your weather station and mount. Never install your weather station in a thunderstorm.

⚠ WARNING: We recommend properly grounding the mount to avoid extensive damage to the weather station and structure. Consult a licensed electrician or local lightning detection expert prior to installing a ground wire.

⚠ WARNING: Installing your weather station in a high location may result in injury or death.

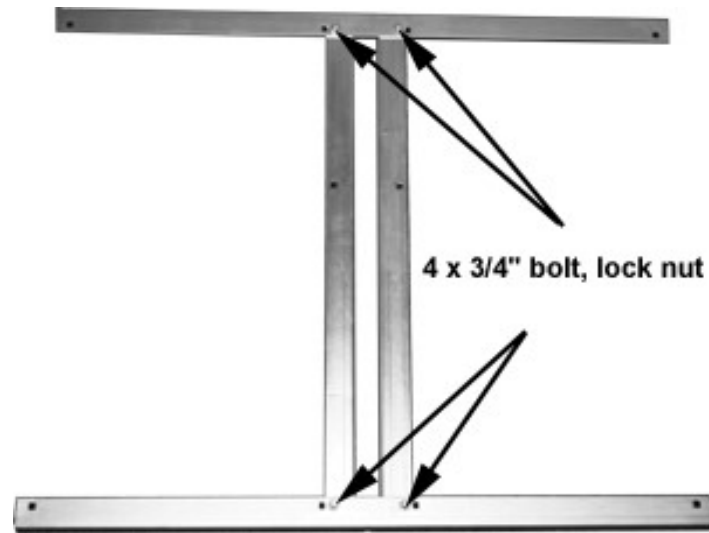
4. Recommended Tools and Materials

- Adjustable Wrench
- Level or Plumb

5. Installation

5.1 Platform

Connect the two 34.5" steel angle brackets with two 28.5" steel angle brackets with four $\frac{3}{4}$ " bolts and tighten with four lock nuts using $\frac{1}{2}$ " wrench, as shown in Figure 1.



Complete the platform by connecting the remaining two 28.5" steel angle brackets to the two 34.5" steel angle brackets with four $\frac{3}{4}$ " bolts and tighten with four lock nuts using $\frac{1}{2}$ " wrench, as shown in Figure 2.

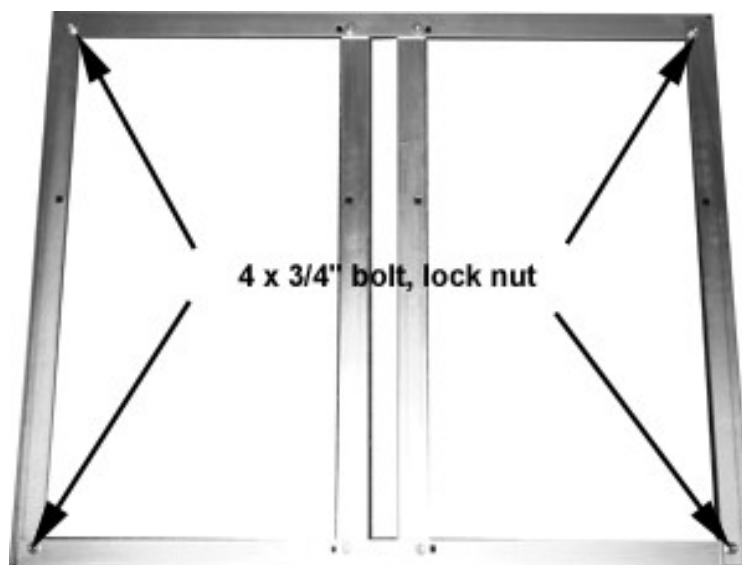


Figure 2

Make sure the four tripod mounting holes are aligned (a) and (b), as shown in Figure 2b.

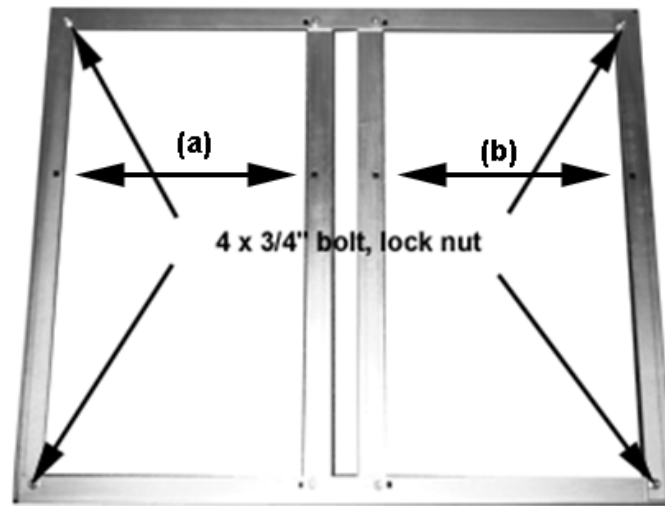


Figure 2b

5.2 Tripod

Unfold the tripod so the tripod feet are aligned up with the platform, as shown in Figure 3. Connect the tripod to the platform with three $\frac{3}{4}$ " bolts and tighten with three lock nuts using $\frac{1}{2}$ " wrench, as shown in Figure 3.

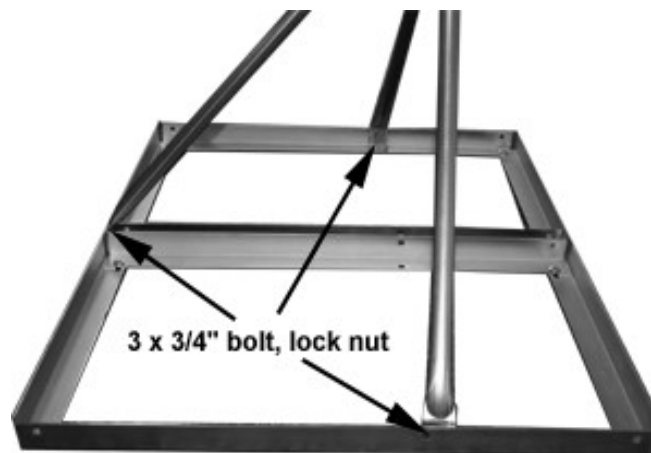


Figure 3

Reference Figure 4 & 5. Insert the mounting pole into the center of the two collars. Secure the mast by tightening the hex nuts on the $\frac{5}{16}$ " bolts until the bolts hold the mast in place securely. Make sure the mast is level.

Connect the lower mast to the platform by threading the $2 \frac{1}{4}$ " bolt through the center hole and tighten with the remaining lock nut.

Make sure the creased and bent legs are installed per Figure 5.

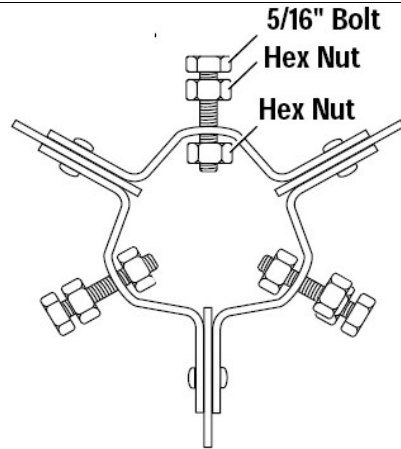


Figure 4

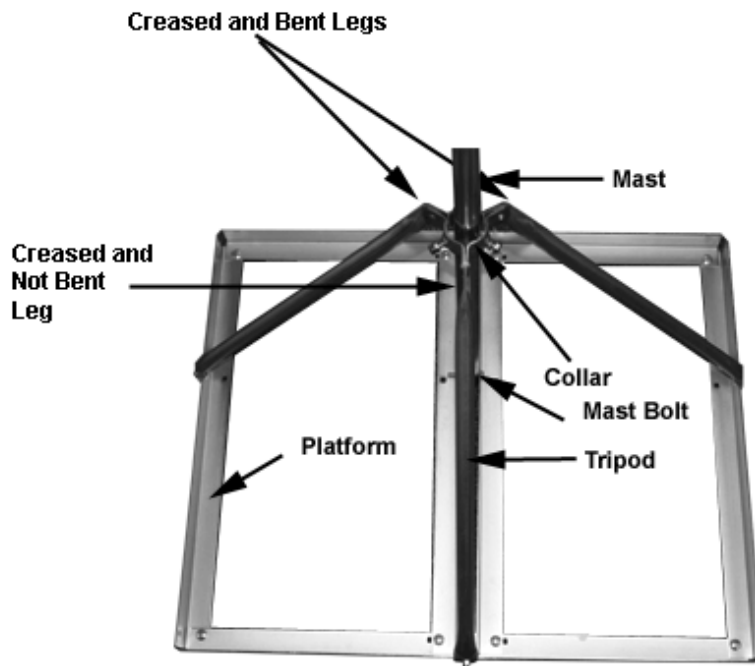


Figure 5

5.3 Mast

Insert the swaged end of the upper mast into the lower mast as shown in Figure 6. Tighten so the upper mast does not rotate and tap with hammer or mallet until secure.



Figure 6

5.4 Ballast

Load the platform with four 8 x 8 x 16" cinder blocks for ballast, as shown in Figure 7.

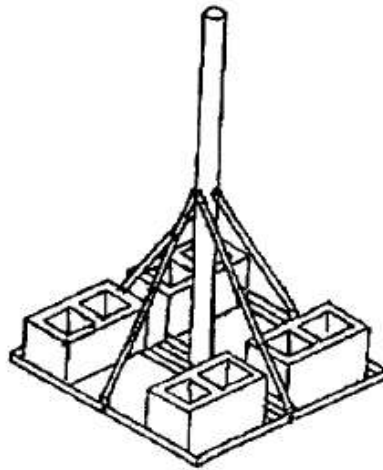


Figure 7

6. Optional Mounting Equipment

EZ-125-35M 35" Mast Extension (Optional)



Figure 8

Galvanized 1-1/4 inch (3.25 cm) O.D., 35 inch (89 cm) long steel post with one end crimped for insertion into another post of the same O.D.

Made of 18 gauge 1008-10 steel tubing, galvanized using the Flo-Coat (zinc-chromate-polymer) process for excellent corrosion protection.

When used with the EZ-NPP tripod, this extension will raise the anemometer to a height of 84 inches.

7. Liability Disclaimer

Please help in the preservation of the environment and return used batteries to an authorized depot. The electrical and electronic wastes contain hazardous substances. Disposal of electronic waste in wild country and/or in unauthorized grounds strongly damages the environment.

Reading the “User manual” is highly recommended. The manufacturer and supplier cannot accept any responsibility for any incorrect readings and any consequences that occur should an inaccurate reading take place. This product is designed for use in the home only as indication of weather conditions. This product is not to be used for medical purposes or for public safety information. The specifications of this product may change without prior notice.

This product is not a toy. Keep out of the reach of children. No part of this manual may be reproduced without written authorization of the manufacturer.

Ambient, LLC WILL NOT ASSUME LIABILITY FOR INCIDENTAL, CONSEQUENTIAL, PUNITIVE, OR OTHER SIMILAR DAMAGES ASSOCIATED WITH THE OPERATION OR MALFUNCTION OF THIS PRODUCT.

8. Warranty Information

Ambient, LLC provides a 1-year limited warranty on this product against manufacturing defects in materials and workmanship.

This limited warranty begins on the original date of purchase, is valid only on products purchased and only to the original purchaser of this product. To receive warranty service, the purchaser must contact Ambient, LLC for problem determination and service procedures.

Warranty service can only be performed by a Ambient, LLC. The original dated bill of sale must be presented upon request as proof of purchase to Ambient, LLC.

Your Ambient, LLC warranty covers all defects in material and workmanship with the following specified exceptions: (1) damage caused by accident, unreasonable use or neglect (lack of reasonable and necessary maintenance); (3) damage resulting from failure to follow instructions contained in your owner’s manual; (4) damage resulting from the performance of repairs or alterations by someone other than an authorized Ambient, LLC authorized service center; (5) units used for other than personal use (6) applications and uses that this product was not intended (7) the products inability to receive a signal due to any source of interference or metal obstructions and (8) extreme acts of nature, such as lightning strikes or floods.

This warranty covers only actual defects within the product itself, and does not cover the cost of installation or removal from a fixed installation, normal set-up or adjustments, claims based on misrepresentation by the seller or performance variations resulting from installation-related circumstances.

9. California Prop 65

WARNING: Use of the Ambient Weather Products can expose you to chemicals, including lead and lead compounds, which are known to the State of California to cause cancer and bisphenol A (BPA), and compounds, which are known to the State of California to cause cancer and bisphenol A (BPA), and phthalates DINP and/or DEHP, which are known to the State of California to cause birth defects or other reproductive harm.

Can I Trust that Ambient Weather Products are Safe Despite this Warning? In 1986, California voters approved the Safe Drinking Water and Toxic Enforcement Act known as Proposition 65 or Prop 65. The purpose of Proposition 65 is to ensure that people are informed about exposure to chemicals known by the State of California to cause cancer, birth defects and/or other reproductive harm. A company with ten or more employees that operates within the State of California (or sells products in California) must comply with the requirements of Proposition 65. To comply, businesses are: (1) prohibited from knowingly discharging listed chemicals into sources of drinking water; and (2) required to provide a "clear and reasonable" warning before knowingly and intentionally exposing anyone to a listed chemical. Proposition 65 mandates that the Governor of California maintain and publish a list of chemicals that are known to cause cancer, birth defects and/or other reproductive harm. The Prop 65 list, which must be updated annually, includes over 1,000 chemicals, including many that are commonly used in the electronics industry.

Although our manufacturing process is "lead-free" and RoHS compliant, it remains possible that trace amounts of lead could be found in components or subassemblies of Ambient Weather Products.

Bisphenol A (BPSA) could conceivably be present in minute amounts in our plastic housings, lenses, labels or adhesives, and DEHP & DINP (phthalates) could possibly be found in PVC wire coatings of our cables, housings, and power cords. Unlike RoHS, Prop 65 does not establish a specific threshold for reporting on the substances of concern and instead sets forth a much less definitive standard requiring that the business demonstrate with certainty that there is "no significant risk" resulting from exposure. With respect to carcinogens, the "no significant risk" level is defined as the level which is calculated to result in not more than one excess case of cancer in 100,000 individuals exposed over a 70-year lifetime. In other words, if you are exposed to the chemical in question at this level every day for 70 years, theoretically, it will increase your Version 1.14 ©Copyright 2020, Ambient LLC. All Rights Reserved. Page 60 chances of getting cancer by no more than 1 case in 100,000 individuals so exposed. With respect to reproductive toxicants, the "no significant risk" level is defined as the level of exposure which, even if multiplied by 1,000, will not produce birth defects or other reproductive harm. In other words, the level of exposure is below the "no observable effect level," divided by 1,000. (The "no observable effect level" is the highest dose level which has not been associated with observable reproductive harm in humans or test animals.) Proposition 65 does not clarify whether exposure is to be measured only in normal operation, or in the event of misuse such as intentionally damaging, incinerating, or consuming an Ambient Weather Product or component and Ambient Weather has not attempted to evaluate the level of exposure.

A Proposition 65 warning means one of two things: (1) the business has evaluated the exposure and has concluded that it exceeds the "no significant risk level"; or (2) the business has chosen to provide a warning simply based on its knowledge about the presence of a listed chemical without attempting to evaluate the exposure. The California government has itself clarified that "The fact that a product bears a Proposition 65 warning does not mean by itself that the product is unsafe." The government has also explained, "You could think of Proposition 65 more as a 'right to know' law than a pure product safety law."

While using Ambient Weather Products as intended, we believe any potential exposure would be negligible or well within the "no significant risk" range. However, to ensure compliance with California law and our customers' right to know, we have elected to place the Proposition 65 warning signs on Ambient Weather Products.

For further information about California's Proposition 65, please visit <https://oehha.ca.gov/prop65/background/p65plain.html>

