
Ambient Weather WS-8600 Color Changing Alarm Clock with Indoor and Outdoor Temperature & Humidity User Manual



Table of Contents

1. Introduction.....	2
2. Warnings	2
3. Getting Started	2
3.1 Product Features	3
3.1.1 Clock Display.....	3
3.1.2 Wireless Transmitter.....	5
3.2 Parts List.....	5
3.3 Powering Up.....	5
3.4 Siting the Wireless Transmitter Outside	6
4. Clock Display.....	7
5. Settings.....	7
5.1 Time Settings.....	7
5.2 Alarm Settings.....	7
5.2.1 Turning On and Off the Alarm Feature	7
5.2.2 Setting the Alarm Time	8
5.2.3 Using the Alarm and Snooze Functions	8
5.3 Backlight	8
5.4 Barometric Pressure Display and Settings	8
5.4.1 Barometric Pressure Units of Measure.....	8
5.4.2 Absolute Pressure vs. Relative Pressure.....	8
5.4.3 Relative Pressure Calibration	9
5.5 The Barograph.....	9
5.6 Viewing Minimum and Maximum Records (Memory Mode)	10
5.7 Viewing Historical Data (History Mode)	10
5.8 Color Changing Feature	11
5.8.1 Manual Color Preference	11
5.8.2 Outdoor Temperature Color	11
5.9 Low Temperature Notification	11
5.10 Console Low Battery Indicator	12
5.11 Wireless Sensor Display.....	12
5.12 Wireless Sensor Low Battery Indicator.....	12
5.13 Viewing the Wireless Sensor Channels	12
5.14 Syncing and Resyncing the Wireless Sensor.....	13
5.15 Adding Multiple Wireless Sensors	13
6. Specifications.....	13
6.1 Wireless Specifications	13
6.2 Measurement Specifications.....	13
6.2 Power Consumption.....	14
7. Troubleshooting Guide.....	14
8. Accessories	15

9. Liability Disclaimer	15
10. FCC Statement.....	16
11. Warranty Information	16

1. Introduction

Thank you for your purchase of the Ambient Weather WS-8600 Color Changing Alarm Clock with Indoor and Outdoor Temperature & Humidity.

The following user guide provides step by step instructions for installation, operation and troubleshooting. To download the latest full sized manual and additional troubleshooting tips, please visit:

<http://ambientweather.wikispaces.com/ws8600>

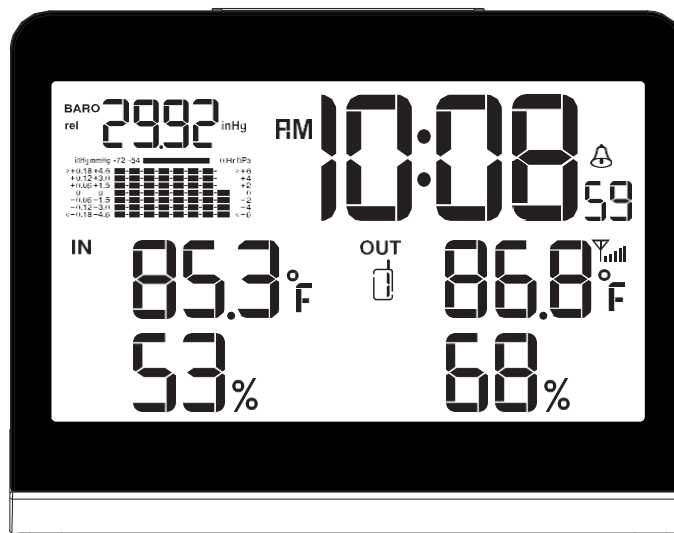


Figure 1

2. Warnings

⚠ **Warning.** Only use approved AC adapter.

3. Getting Started

Note: Remove the plastic film from the clock face before getting started.

3.1 Product Features

3.1.1 Clock Display

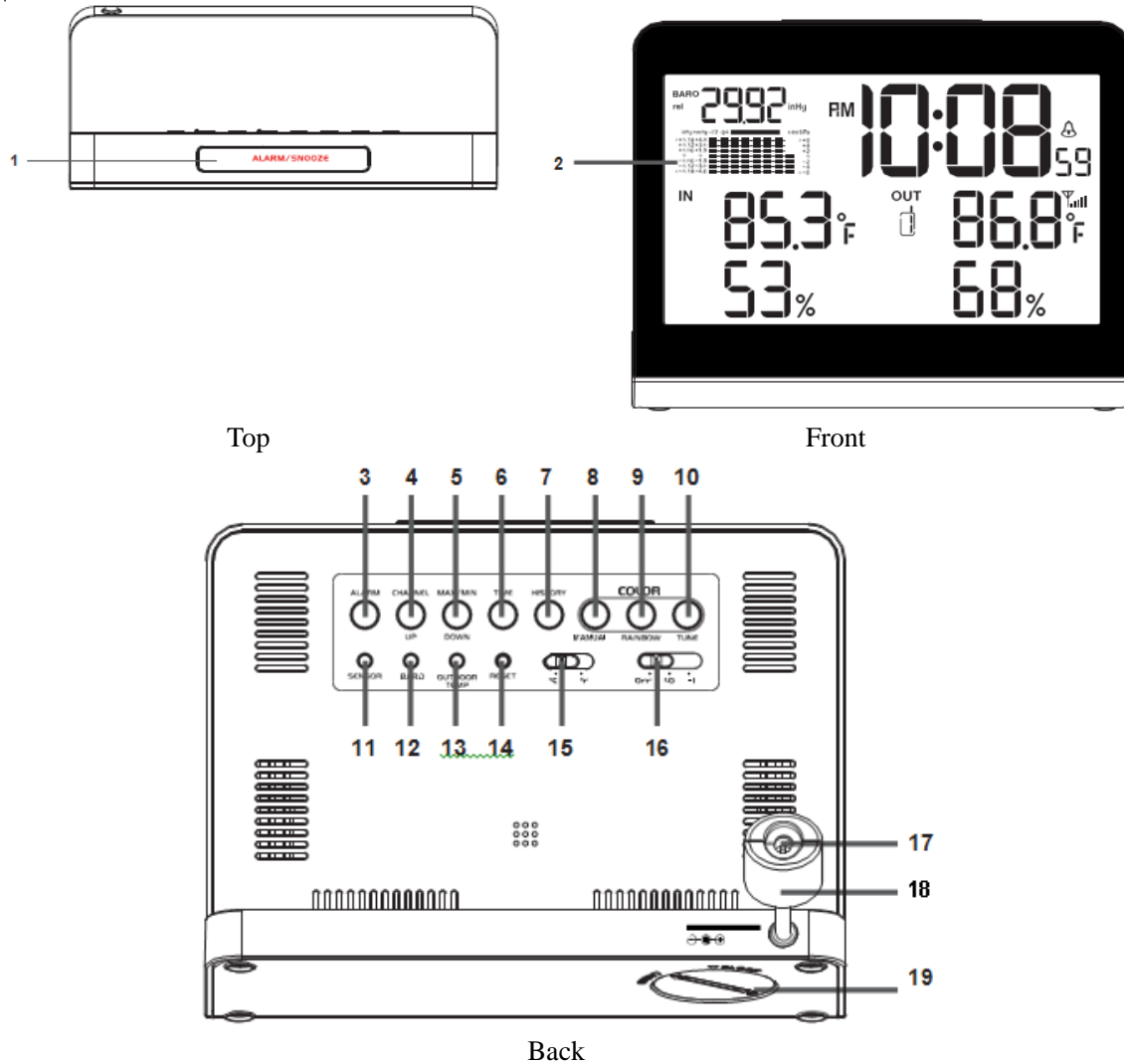


Figure 2

No	Function	No	Function
1	ALARM / SNOOZE Button - Press to stop the current alarm when sounding and enter into snooze mode. - Press and hold for two seconds to stop the current alarm when sounding for 24 hours.	11	SENSOR Button Press to resynchronize with the sensors.
2	High Contrast LCD Display	12	BARO Button - Press to change barometric pressure units of measure.
3	ALARM Button - In normal time display mode, Press to enter Alarm Mode - In alarm time mode, press to turn on/off the	13	OUTDOOR TEMP Button - Press to automatically change the backlight as a function of temperature.

No	Function	No	Function
	alarm function. - In alarm time mode, press and hold for 2 seconds to enter alarm time setting mode. - In alarm time setting mode, press to step through the different time settings.		
4	CHANNEL/UP Button - In set mode, press to increase the values. - In normal time display mode, press to switch between Remote Sensor Channels 1, 2 and 3. - In normal time display mode, press and hold for 2 seconds to automatically scroll between sensor channels 1, 2 and 3.	14	RESET Button - Press to reset all values to default values. - In case of malfunction, the unit can be reset.
5	MAX/MIN / DOWN Button - In set mode, press to decrease the values. In normal mode, press to display minimum and maximum numbers stored in memory.	15	°F/°C Switch - Select switch between °F and °C units of measure.
6	Time Button - Press and hold for 2 seconds to enter time set mode. - In time set mode, press to step through the different time settings.	16	OFF / LO / HI Switch - Turns the back light on and off. - Sets the back light to high or low.
7	HISTORY Button - In normal mode, press to view hourly historical data stored in memory.	17	DC POWER JACK
8	MANUAL Button Press MANUAL button and the backlight color will change automatically; Press it again, and the backlight color will stop at the color you prefer.	18	Indoor Temperature and Humidity Sensor
9	RAINBOW Button Press RAINBOW button, and the backlight will change color as follows: white>red>orange>yellow>green>cyan>blue>purple	19	Battery door - Accommodates lithium battery CR2032 for back-up.
10	TUNE Button Press and hold the TUNE button to fine tune the color. The backlight will automatically display 256 colors. Let go of the TUNE button to stop at the color you prefer.		

3.1.2 Wireless Transmitter

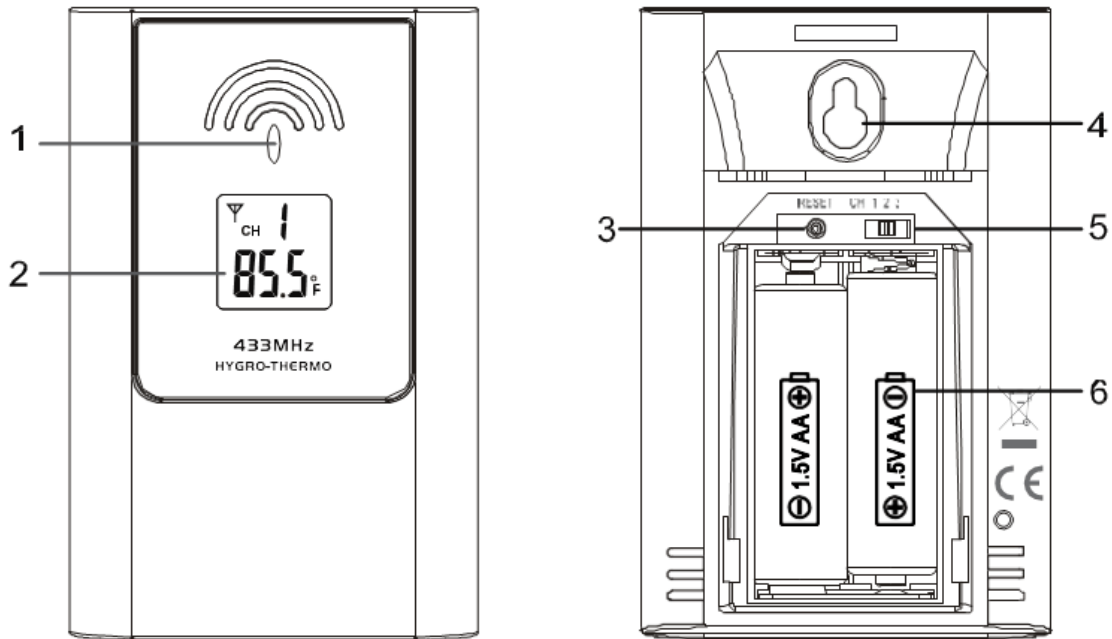


Figure 3


No	Description	No	Description
1	Transmitter LED (flashes when the remote is transmitting)	4	Suspension eye for hanging
2	LCD display Displays channel number (1,2 or 3) temperature and humidity.	5	Transmitter channel (assign the transmitter to 1,2 or 3, default = 1)
3	Reset button	6	2 x AA batteries

Note: The WS-8600 supports three wireless channels. If you have one sensor, leave the transmitter channel at Channel 1. If you have more than one sensor, refer to Section 5.15.

3.2 Parts List

QTY	Item
1	Clock Frame Dimensions (LxWxH): 5.5" L x 2.25"D x 4.5"H
1	Wireless Transmitter (LxWxH): 4.0" L x 2.5" W x 1.5" D
1	UL Rated Class 5 AC Adapter
1	CR2032 Lithium Battery
1	User Manual

3.3 Powering Up

 **Note:** The power up sequence must be performed in the order shown in this section (remote transmitter **FIRST**, Display Clock **SECOND**) to avoid the Clock synchronization time out.


The Transmitter:

1. Remove the battery door on the back of the transmitter and insert 2 new AA batteries, according to the polarity information marked on the battery compartment, and replace the battery door, as shown in Figure 3. Place the transmitter about 5 feet from the clock.

The Clock:

Important Note: The power up sequence must be performed in this order (battery first, AC adaptor second) to prevent a low battery indication at power up.

1. Energize the battery by releasing the pull tab on the bottom of the clock.
2. Plug the AC adaptor into the DC jack of the clock.
3. Once the wireless transmitter has synced up to the clock, you can place the sensor outside.

 **Note:** If no display is present after powering up the clock, press the reset button on the back of the clock with an open ended paper clip or sharp tool.

3.4 Siting the Wireless Transmitter Outside

It is recommended you place the remote sensor in a shaded area.

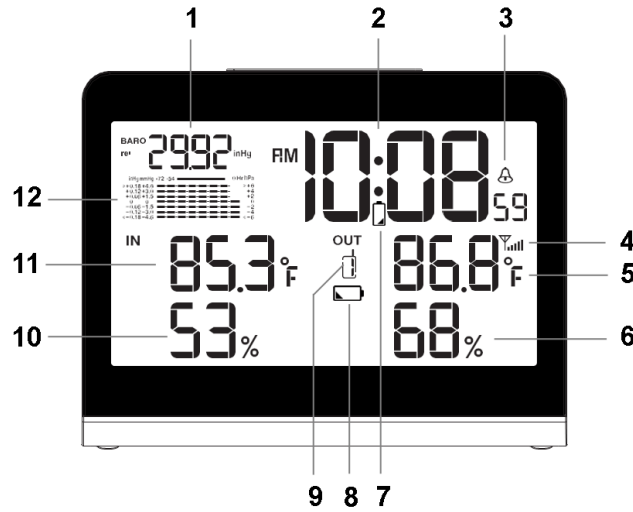
Direct sunlight and radiant heat sources will result in inaccurate temperature readings. Although the sensor is weatherproof, it is best to mount in a well-protected area, such as an eave. Do not place in standing water or snow.

Wireless signals are impacted by distance, interference (other wireless devices, wireless phones, wireless routers, TVs and computer monitors), and transmission barriers, such as walls. In general, wireless signals will not penetrate solid metal and earth (down a hill, for example).

The following is a table of reception loss vs. the transmission medium. Each “wall” or obstruction decreases the transmission range by the factor shown below.

Medium	RF Signal Strength Reduction
Glass (untreated)	5-15%
Plastics	10-15%
Wood	10-40%
Brick	10-40%
Concrete	40-80%
Metal	90-100%

4. Clock Display



No	Description	No	Description
1	Barometric Pressure	7	Clock low battery indicator
2	Time / Alarm Time	8	Transmitter low battery indicator
3	Alarm On	9	Transmitter channel
4	Wireless signal strength indicator	10	Indoor humidity
5	Outdoor Temperature (channels 1, 2 or 3)	11	Indoor temperature
6	Outdoor Humidity (channels 1, 2 or 3)	12	Barograph

Figure 4

5. Settings

5.1 Time Settings

While in normal time mode, perform the following operations to set the time.

Command	Mode	Settings
[TIME] + 2 seconds	Enter Time Settings 12 hour / 24 hour format	Press [UP] to change between 12H and 24H format.
[TIME]	Hour	Press [UP] to increase, [DOWN] to decrease.
[TIME]	Minute	Press [UP] to increase, [DOWN] to decrease.
[TIME]	Second	Press [UP] to reset to 0.
[TIME]	00H	This feature is currently not used. Press [TIME] again to continue.
[TIME]	Exit Time Settings	

[TIME] + 2 seconds means press and hold the TIME button for two seconds.
 [TIME] means press but do not hold the TIME button.

Figure 5

5.2 Alarm Settings

5.2.1 Turning On and Off the Alarm Feature

Press the **ALARM** button enter the alarm mode.

Press the **ALARM** button again and the alarm feature will turn on and the alarm icon  will be

displayed.

Press the **ALARM** button again and the alarm feature will turn off and the alarm icon will turn off.

Press the **TIME** button to exit the alarm mode.

5.2.2 Setting the Alarm Time

While in normal mode, perform the following operations to set the alarm time.

Command	Mode	Settings
[ALARM] + 2 seconds	Enter Alarm Settings Alarm Hour	Press [UP] to increase, [DOWN] to decrease.
[ALARM]	Alarm Minute	Press [UP] to increase, [DOWN] to decrease.
[ALARM]	Exit Alarm Settings	

[ALARM] + 2 seconds means press and hold the ALARM button for two seconds.

[ALARM] means press but do not hold the ALARM button.

Figure 6

5.2.3 Using the Alarm and Snooze Functions

Press and hold the **ALARM / SNOOZE** button for two seconds to turn off the alarm sound. The alarm bell will stop flashing.

If no button is pressed during the alarm period, the alarm will turn off automatically in two minutes.

To temporarily silence the alarm, press the **ALARM/SNOOZE** button on the top of the clock. The alarm bell icon will keep flashing.

If the snooze function is turned on, the 4-step crescendo alarm will sound every five minutes. Press and hold the **ALARM / SNOOZE** button for two seconds to turn off the alarm sound. The alarm bell will stop flashing.

5.3 Backlight

The backlight only operates during AC power. It will not operate on battery power.

Set the **OFF / LO / HI Switch** to OFF to turn off the backlight.

Set the **OFF / LO / HI Switch** to LO to dim the backlight.

Set the **OFF / LO / HI Switch** to HI to brighten the backlight.

5.4 Barometric Pressure Display and Settings

5.4.1 Barometric Pressure Units of Measure

In normal time mode, press the **BARO** button to change barometric units of measure (hPa / inHg / mmHg).

5.4.2 Absolute Pressure vs. Relative Pressure

Press and hold the **BARO** button for 2 seconds to enter barometric mode, and press the **CHANNEL/UP** button to switch between the relative and absolute pressure reading.

5.4.3 Relative Pressure Calibration

Please Reference Section 5.4.3.1 for details on the purpose of calibrating relative pressure, and how to calibrate relative pressure in your area.

1. Press and hold the **BARO** button for 2 seconds to enter barometric mode. The icon **REL** or **ABS** will flash.

Make sure the REL Pressure is showing on the display. If ABS Pressure is showing, switch to REL pressure per Section 5.4.2.

2. Press (do not hold) the **BARO** button again. The relative pressure will flash.
3. Press the **CHANNEL/UP** to increase the relative pressure and **MAX/MIN/DOWN** to decrease the relative pressure.
4. Press (do not hold) the **BARO** button again to exit the relative pressure calibration mode, or wait 60 seconds to time out.

Note: After calibration, the barograph will reset to 0 change (flat line across the graph).

5.4.3.1 Relative vs. Absolute Pressure and Calibration

The clock displays two different pressures: absolute (measured) and relative (corrected to sea-level).

To compare pressure conditions from one location to another, meteorologists correct pressure to sea-level conditions. Because the air pressure decreases as you rise in altitude, the sea-level corrected relative pressure (the pressure your location would be at if located at sea-level) is generally higher than your measured absolute pressure.

Thus, your absolute pressure may read 28.62 inHg (969 mb) at an altitude of 1000 feet (305 m), but the relative pressure is 30.00 inHg (1016 mb).

The standard sea-level pressure is 29.92 in Hg (1013 mb). This is the average sea-level pressure around the world. Relative pressure measurements greater than 29.92 inHg (1013 mb) are considered high pressure and relative pressure measurements less than 29.92 inHg are considered low pressure.

To determine the relative pressure for your location, locate an official reporting station near you (the internet is the best source for real time barometer conditions, such as Weather.com or Wunderground.com), and set your weather station to match the official reporting station.

5.5 The Barograph

The barograph allows you to predict weather by displaying the change in pressure over time.

In general, when pressure is increasing, the weather is improving, and when pressure is decreasing, the weather is deteriorating. This is referred to by meteorologists as high pressure and low pressure conditions. Storms and hurricanes will result in a rapid decrease in pressure. Hot, dry weather is usually a result of high pressure.

The graph displays the pressure trend over the last 72 hours (the oldest data is on the left of the graph and the newest data is on the right of the graph. The horizontal axis is time, and is plotted -3, -4, -9,

-18, -36, -54 and -72 hours ago.

The vertical axis is the change in pressure from the current pressure. Thus, the current pressure is displayed as 0. The vertical axis is auto-scaled, and will change automatically based on the magnitude of the change in pressure over the 24 hour period.

The example in Figure 7 shows a drop in pressure 3 hours ago of about -2 hPa.

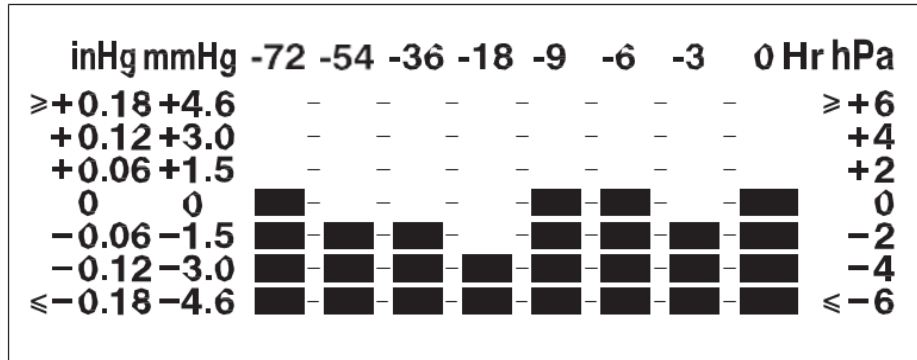


Figure 7

5.6 Viewing Minimum and Maximum Records (Memory Mode)

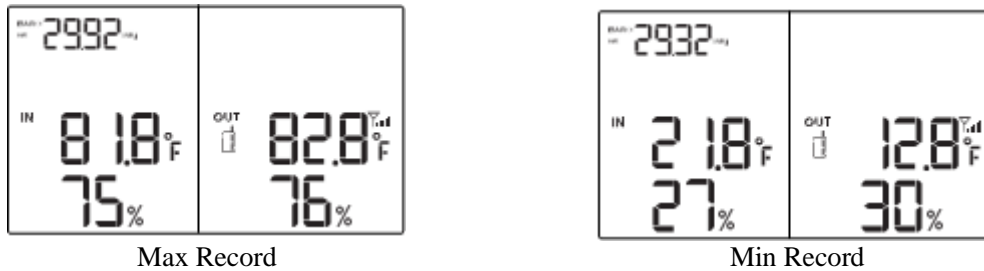


Figure 8

While in normal time mode, perform the following operations to view the minimum and maximum values since the last time they were reset.

Command	Mode
[MAX/MIN/DOWN]	Displays Maximum Temperature, Humidity and Barometer.
[MAX/MIN/DOWN]	Displays Minimum Temperature, Humidity and Barometer.
[MAX/MIN/DOWN]	Exit memory mode.

Figure 9

While in Min/Max mode, press and hold [MAX/MIN/DOWN] for three seconds to reset the maximum values to the current values.

5.7 Viewing Historical Data (History Mode)

In the normal time mode, press the **HISTORY** button to display one hour increments of the last 72 hours of historical data, including indoor temperature and humidity, outdoor temperature and humidity, and barometric pressure.

If no button is pressed for 5 seconds, the display will return to the normal time mode.

5.8 Color Changing Feature

This display has two color modes for the LCD backlight **and OUTDOOR TEMP** buttons on the back of the clock.

- **Manual Color Preference** based on your personal preference. Press **MANUAL**, **RAINBOW**, or **TUNE** buttons.
- **Outdoor Temperature Color**, based on channel 1, 2 and 3 temperature. Press **OUTDOOR TEMP** button.

5.8.1 Manual Color Preference

1. **MANUAL Button.** Press **MANUAL** button and the backlight color will change automatically; Press it again, and the backlight color will stop at the color you prefer.
2. **RAINBOW Button.** Press **RAINBOW** button, and the backlight will change color as follows: white>red>orange>yellow>green>cyan>blue>purple
3. **TUNE Button.** Press and hold the **TUNE** button to fine tune the color. The backlight will automatically display 256 colors. Release the **TUNE** button again to stop at the color you prefer.

5.8.2 Outdoor Temperature Color

Press the **OUTDOOR TEMP** button to automatically change the backlight as a function of temperature. The display color will automatically change based on the color chart below:

#	Temperature Range (°F)	Color
1	< 0	White
2	0 - 10	Violet
3	10-20	Dark Blue
4	20-30	Light Blue
5	30-40	Dark Aqua
6	40-50	Light Aqua
7	50-60	Green
8	60-70	Light Green
9	70-80	Yellow
10	80-90	Orange
11	90-100	Red
12	100-110	Light Red
13	> 110	Gray

Figure 10

5.9 Low Temperature Notification

When the outdoor temperature is between 28°F to 37°F (-2°C to 3°C), the low temperature alert icon will be displayed and flash continuously, and disappear once the temperature is out of this range.

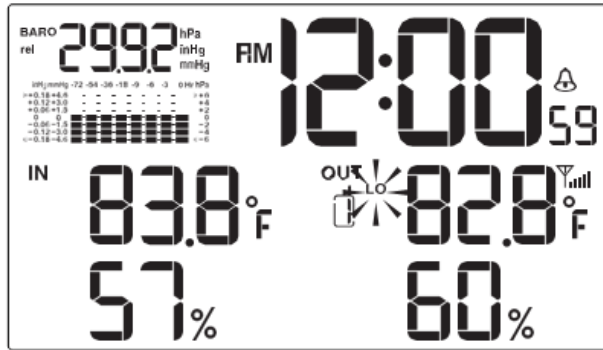



Figure 11

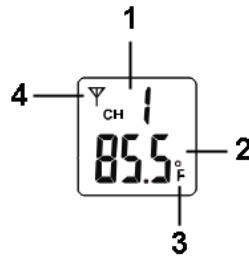
5.10 Console Low Battery Indicator

When the battery is full, no battery icon will be displayed. When the clock battery is low, the low battery indicator  will be displayed on the console next to the hour and minute. Replace with a new CR2032 battery. Pay attention to the polarity.

To clear the low battery indicator, the clock must be completely powered down:

1. Unplug the clock from AC power. Wait for the display to completely fade out.
2. Remove the battery door on the bottom of the clock and insert a new CR2032 battery, and replace the battery door.
3. Plug the AC adapter into the DC jack of the clock.


5.11 Wireless Sensor Display



No	Description	No	Description
1	Channel Number (default = 1)	3	Temperature Units of Measure (°F)
2	Temperature / Humidity (toggles between temperature and humidity)	4	Reception Icon (on when searching, flashes when updates)

Figure 12

5.12 Wireless Sensor Low Battery Indicator


When the battery is full, no battery icon will be displayed. When the battery is low, the low battery indicator  will be displayed on the console next to the channel number. Replace with 2 new AA size batteries. Pay attention to the polarity.

5.13 Viewing the Wireless Sensor Channels

In normal time mode, press the **CHANNEL** button to view wireless channels 1, 2 and 3.

To automatically scroll through channels 1, 2 and 3, press and hold the **CHANNEL** button for 2 seconds (the beep will sound). The wireless channels will scroll on the screen every 5 seconds.

5.14 Syncing and Resyncing the Wireless Sensor

If the sensor is synced to the console, the console will display the reception icon with the signal strength . If the sensor signal is lost, dashes --.- will be displayed in place of temperature.

If you lose synchronization from the remote wireless sensor for an extended period of time or you replace the batteries in the wireless sensor, you may need to resync or reset the sensor to the console.

To resync the sensor(s), press the **SENSOR** button in the battery compartment and the sensor display will show dashes (--.-). Wait several minutes for resynchronization.

To reset the console, disconnect from AC power and remove the batteries for 10 seconds, then reinsert the batteries and reconnect AC power. Alternately, you can press the **RESET** button on the back of the console. The sensor display will show dashes (--.-). Wait several minutes for resynchronization.

5.15 Adding Multiple Wireless Sensors

If you introduce additional sensors into the system, you will need to reset the console.

1. Set the Channel number on the wireless sensor per Figure 3. Power down and up the sensor after you have changed the channel number for the change to take effect.
2. Resync the console. Reference Section 5.14.

6. Specifications

6.1 Wireless Specifications

- Line of sight wireless transmission (in open air): 150 feet
- Frequency: 433 MHz
- Update Rate: 60 seconds

6.2 Measurement Specifications

The following table provides specifications for the measured parameters.

Measurement	Range	Accuracy	Resolution
Indoor Temperature	32 to 113 °F	± 2 °F	0.1
Outdoor Temperature	-4 to 140 °F alkaline batteries -40 to 140 °F Lithium e2 Energizer batteries	± 2 °F	0.1
Indoor Humidity	10 to 95%	± 5 %	1
Outdoor Humidity	10 to 95%	± 5 %	1

Barometer	Altitude Range: 540hPa to 1100hPa	+/- 5hPa	1hPa / 0.01inHg / 0.1mmHg
-----------	--------------------------------------	----------	------------------------------

6.2 Power Consumption

- Display: 1 x CR2032 Lithium Battery (included)
- Display: DC 4.5V, 300mA adaptor
- Wireless Transmitter: 2 x AA Alkaline batteries recommended, Lithium e2 Energizer for cold weather.

7. Troubleshooting Guide

If your question is not answered here, you can contact us as follows:

1. Email Support: support@ambientweather.com
2. Technical Support: 480-346-3380 (M-F 8am to 4pm Arizona Time)

Problem	Solution
The wireless sensor communication has been lost or is intermittent or will not sync up.	<ul style="list-style-type: none"> • Make sure the transmitter is powered up and the LED is flashing about once per minute. For cold weather environments, install lithium batteries. If the transmitter is not flashing, replace the batteries. • Resync the console. Reference Section 5.14. • The maximum line of sight communication range is 150'. Move the sensor closer to the clock. • If the sensor assembly is too close (less than 5-10'), move the sensor away from the clock. • Make sure the remote sensors are not transmitting through solid metal (acts as an RF shield), or earth barrier (down a hill). • Move the clock away from electrical noise generating devices, such as computers, TVs and other wireless transmitters or receivers. • Move the remote sensor to a higher location. Move the remote sensor to a closer location. • Radio Frequency (RF) Sensors cannot transmit through metal barriers (example, aluminum siding) or multiple, thick walls.
The clock does not respond to commands.	<ul style="list-style-type: none"> • Press the reset button on the back of the clock with an open ended paper clip or sharp tool.

8. Accessories

Accessory	Description
TX-8340	Additional wireless sensor.

9. Liability Disclaimer

Please help in the preservation of the environment and return used batteries to an authorized depot. The electrical and electronic wastes contain hazardous substances. Disposal of electronic waste in wild country and/or in unauthorized grounds strongly damages the environment.

Reading the "User manual" is highly recommended. The manufacturer and supplier cannot accept any responsibility for any incorrect readings and any consequences that occur should an inaccurate reading take place.

This product is designed for use in the home only as indication of weather conditions. This product is not to be used for medical purposes or for public information.

The specifications of this product may change without prior notice.

This product is not a toy. Keep out of the reach of children.

No part of this manual may be reproduced without written authorization of the manufacturer.

Ambient, LLC WILL NOT ASSUME LIABILITY FOR INCIDENTAL, CONSEQUENTIAL, PUNITIVE, OR OTHER SIMILAR DAMAGES ASSOCIATED WITH THE OPERATION OR MALFUNCTION OF THIS PRODUCT.

10. FCC Statement

Statement according to FCC part 15.19:

This device complies with part 15 of the FCC rules. Operation is subject to the following two conditions:

1. This device may not cause harmful interference.
2. This device must accept any interference received, including interference that may cause undesired operation.

Statement according to FCC part 15.21:

Modifications not expressly approved by this company could void the user's authority to operate the equipment.

Statement according to FCC part 15.105:

NOTE: This equipment has been tested and found to comply with the limits for a Class B digital device, pursuant to Part 15 of the FCC Rules. These limits are designed to provide reasonable protection against harmful interference in a residential installation. This equipment generates, uses and can radiate radio frequency energy and, if not installed and used in accordance with the instructions, may cause harmful interference to radio communications.

However, there is no guarantee that interference will not occur in a particular installation. If this equipment does cause harmful interference to radio or television reception, which can be determined by turning the equipment off and on, the user is encouraged to try to correct the interference by one or more of the following measures:

- Reorient or relocate the receiving antenna.
- Increase the separation between the equipment and receiver.
- Connect the equipment into an outlet on a circuit different from that to which the receiver is connected.
- Consult the dealer or an experienced radio/TV technician for help.

The Responsible party:

Company Name: Ambient, LLC

Address : 6845 W. Frye Road Chandler, AZ 85226

Phone : 1-(480)346-3380

11. Warranty Information

Ambient, LLC provides a 1-year limited warranty on this product against manufacturing defects in materials and workmanship.

This limited warranty begins on the original date of purchase, is valid only on products purchased and only to the original purchaser of this product. To receive warranty service, the purchaser must contact Ambient, LLC for problem determination and service procedures.

Warranty service can only be performed by a Ambient, LLC. The original dated bill of sale must be presented upon request as proof of purchase to Ambient, LLC.

Your Ambient, LLC warranty covers all defects in material and workmanship with the following specified exceptions: (1) damage caused by accident, unreasonable use or neglect (lack of reasonable

and necessary maintenance); (2) damage resulting from failure to follow instructions contained in your owner's manual; (3) damage resulting from the performance of repairs or alterations by someone other than an authorized Ambient, LLC authorized service center; (4) units used for other than home use (5) applications and uses that this product was not intended (6) the products inability to receive a signal due to any source of interference or metal obstructions and (7) extreme acts of nature, such as lightning strikes or floods.

This warranty covers only actual defects within the product itself, and does not cover the cost of installation or removal from a fixed installation, normal set-up or adjustments, claims based on misrepresentation by the seller or performance variations resulting from installation-related circumstances.

