

AMERITRON AL-572

LINEAR AMPLIFIER

INSTRUCTION MANUAL



PLEASE READ THIS MANUAL BEFORE OPERATING THIS EQUIPMENT !

AMERITRON

116 Willow Road
Starkville, MS 39759 USA
662-323-8211

Table of Contents

Introduction.....	1
Unpacking Instructions	2
Features	3
AL-572 Technical Specifications.....	4
Input	4
Output	4
Efficiency	4
Power Supply	4
Tube	5
Metering	5
ALC.....	5
Relay	5
Connectors	5
Physical	5
General Information.....	6
Safety Interlock	6
Peak Envelope Power vs. Average Power	6
Circuit Descriptions	7
ALC.....	7
Dynamic Bias	7
Wattmeter Circuit.....	8
Power Supply	8
Filament Supply	8
Plate (HV) Supply	8
Meters	8
Current Meter (plate and grid)	8
Multimeter.....	9
Multimeter Functions.....	9
HV	9
REF	9
ALC.....	10
ALC SET	10
Tube Life.....	10
Export Modifications	11
Technical Assistance.....	12
Notes	12
Installation Guidelines And Suggestions	13
Location Of The Amplifier	13
Ventilation.....	13
Power Connections	13
Grounding	14
Transformer Connections.....	15
Interconnections	16

Operating Instructions And Guidelines.....	16
Front Panel Controls	16
"MULTIMETER" Switch	16
"OFF-ON" Switch.....	16
"STBY-OPR" Switch.....	16
"PLATE" Control.....	17
"LOAD" Control	17
ALC Metering, Controls, and Adjustments	17
ALC Metering Functions	17
ALC.....	17
ALC SET	18
ALC Controls.....	18
ALC Adjustments	18
SSB Operation	18
CW Operation	18
Rear-panel "ALC LIMIT" control.....	19
ALC Limit Adjustment (rear panel).....	19
Driving Power	20
Tube and Component Life	20
Tuning	21
Tuning Procedure.....	22
"ALC SET" control	24
Additional SSB Notes.....	25
AM (Amplitude Modulation) Operation.....	25
Audio Distortion	25
FM (Frequency Modulation), RTTY, and DIGITAL OPERATION	26
QSK Operation.....	26
Periodic Maintenance.....	26
Parts List	28
Power Supply / SWR Board (50-0057-1)	28
Tuned Input Board (50-0057-2).....	29
AL-572 Tuned Input Chart.....	29
Meter Board (50-0057-3).....	29
Timer / Overload Board (50-0057-5).....	30
AL-572 Main Chassis Parts List	31
AL-572 Wiring Diagram.....	32
Power Supply / SWR Board Schematic	33
Tuned Input Board Schematic.....	34
Meter Board Schematic.....	35

Ameritron AL-572

1300 watt PEP Linear Amplifier Instruction Manual

INTRODUCTION

The Ameritron AL-572 is a 1000 watt CW, 1300 watt PEP (nominal output power) linear amplifier that operates on all Amateur bands from 160 through 15 meters (WARC bands and ten meters with reduced performance). The AL-572X and AL-572Y are export models that operate from 160 through 10 meters.

The AL-572 uses four 572B tubes in a class AB_2 grounded grid circuit. High-quality power supply and RF components combine with an accurate peak-detecting directional coupler, front panel adjustable true ALC circuit, and automatic bias switching to make this the best featured and most reliable 572B amplifier available. The AL-572 and AL-572Y are factory-wired for 120 volt, 50/60 Hz ac line voltage. The AL-572X is factory wired for 240 volts. All models are easily converted to other supply voltages between 90 and 250 volts ac.

DANGER: NEVER APPLY POWER TO THIS AMPLIFIER WITH THE COVER REMOVED! CONTACT WITH THE VOLTAGES INSIDE THIS AMPLIFIER CAN BE FATAL!

PLEASE READ THIS MANUAL BEFORE ATTEMPTING TO OPERATE EQUIPMENT!

WARNING: Improper or abusive operation of this amplifier can damage the tubes or other components in this amplifier. Damage caused by improper or abusive operation is *not* covered under the warranty policy.

Ameritron
116 Willow Road
Starkville, MS 39759
(662) 323-8211

UNPACKING INSTRUCTIONS

Remove the AL-572B tubes from their shipping cartons. Carefully inspect each tube for visible damage. Look for bent or broken pins. Roll each tube over slowly while listening and watching for loose internal materials. Contact either your Ameritron dealer or Ameritron immediately if any damage exists.

Carefully lift the amplifier from the shipping carton, and place it on a firm, level surface. Inspect the amplifier for shipping damage. Contact either your Ameritron dealer or Ameritron immediately if any damage exists. Remove the cover screws with a #2 Phillips screwdriver. Save the screws to re-secure the cover. Carefully lift the rear of the cover while sliding the cover back. **The AL-572 is shipped with the fuses and fuse caps packed inside the amplifier.** Additional screws will be included in the fuse pack when required.

DANGER: Never remove the cover while this amplifier is connected to the power mains! Contact with the voltages in this amplifier can be fatal.

The tubes must be installed in their sockets prior to operation. Observe the pin configuration on each tube and socket. Two of the of the four base pins are slightly larger in diameter. Carefully observe the pin alignment to be sure correct tube pins are centered on the socket's holes. Firmly press the tubes into the socket. **Do NOT twist or force the tubes into their socket.**

Install the anode connector on the tube's anode terminal.

Install the fuses and fuse caps on the back of the amplifier. This amplifier uses two 20A fuses for standard 120 Vac operation (models B and BY) or two 12A fuses for 240 V operation (model BX only). If you wish to operate the amplifier on a line voltage other than 120 volts, the jumpers on the power transformer primary windings must be changed. If the primary wiring is changed, the correct fuses must be installed. See the "TRANSFORMER CONNECTIONS" section on page 15 for more information.

CAUTION: Always use fast-blow fuses rated at 250 volts or higher. NEVER use standard automotive glass fuses or slow-blow fuses.

The top cover should now be installed with the ventilation holes on side of the cover positioned near the electrolytics. The ventilation holes on the top of the cover should be on the right side of the amplifier (front view). Secure the cover by installing the corner screws first. Install all the screws loosely until every screw is in place. *Tighten the screws after they have all been installed.*

Note: Ameritron will NOT be responsible for shipping damage due to improper packing.

The packing materials used to ship this amplifier are specially designed to prevent damage. All packing materials should be retained for future shipping. Replacement packing materials may be purchased from Ameritron if original packing materials are unavailable.

FEATURES

- The AL-572 uses **rugged inexpensive 572B** tubes.
- The 572B requires only a few **seconds of warm-up time**.
- A **dynamic bias circuit** eliminates hundreds of watts of unnecessary heat generation in the power amplifier tubes. The result is cooler operation and longer component life.
- A **multi-voltage heavy-duty transformer** with a unique "buck-boost" winding allows adjustment of the primary voltage to 14 different voltages centered on 115 and 230 volts. This versatile Ameritron feature allows the user to select the optimum primary voltage for maximum performance and life.
- The tuning and loading controls have **vernier 6:1 reduction** drives for smooth tuning. Logging scales allow quick and repeatable control adjustments for rapid band changes.
- The AL-572 has two **illuminated cross-needle panel meters**. The left meter provides a continuous reading of grid and plate currents. The right meter reads peak RF power output on one scale and Plate Voltage (HV), Reflected power and SWR (REF), ALC detector voltage (ALC), and ALC adjustment level (ALC SET) on the other scale.
- Filament and plate voltages are maintained using the **"STBY/OPR"** switch. This allows the amplifier to be conveniently bypassed for "barefoot" operation.
- A front panel **"ALC SET" control** allows convenient adjustment of the ALC threshold. The unique ALC circuit samples the grid current and power supply voltage.
- An **"XMT"** LED on the front panel indicates proper keying of the amplifier by the exciter.
- A rear panel **"12 V" auxiliary output jack** provides up to 200 mA at 12 Vdc for accessories such as the ATR-15 Antenna Tuner.
- A **step-start circuit** limits the inrush current to the power supply and tube filament. This circuit extends the life of the amplifier components.

AL-572 TECHNICAL SPECIFICATIONS

INPUT

Circuit type:.....Pi-network, slug tuned coils
 Maximum VSWR at resonance:1.3:1 or less
 Minimum 2:1 VSWR bandwidth:.....typically 15% of center frequency
 Maximum SSB drive power permissible:110 watts PEP
 Typical drive for full CW power output:75 watts

OUTPUT

Circuit type:.....Pi-L, Pi-network
 Typical SSB PEP voice operation:.....1300 watts nominal
 CW continuous operation:1000 watts nominal
 1/2 hour PEP two-tone test:1000 watts
 1/2 hour continuous carrier (RTTY):.....not rated, contact factory for specification
 Frequency Coverage:1.8 to 21 MHz amateur bands. (Export models include 24.5 and 28 MHz at reduced power. WARC bands available at reduced power)
 Third Order IMD:.....-34 dB or better (below PEP at rated output)

EFFICIENCY

CWapproximately 61%
 SSBapproximately 65% (*envelope crest*)

POWER SUPPLY

Circuit type:.....Full wave voltage doubler
 No load voltage:2900 V
 Full load voltage:2500 V
 Full load current:7 A
 NL to FL Regulation:.....14% or less internal voltage drop
 Transformer:21 lbs
 Capacitors:26 mFd total, computer grade

Normal line current at rated CW output:16 A at 120 Vac

Normal line current at 1300 watt PEP output:8 A average at 120 Vac

Power line current in standby:2 A at 120 Vac

TUBE

Type:(4x) 572B

Continuous dissipation:.....640 watts

Warm-up time:3 seconds

METERING

Multimeter:Peak forward power (continuously). The second scale switches between peak reflected power (and SWR), ALC threshold, ALC output voltage, and high voltage.

Current meter:Plate and grid current (simultaneously) on separate scales.

ALC

Negative going, 0 to 10 volts, adjustable.

RELAY

Requires contact closure or sink of +12 Vdc at 100 mA. Back pulse protected.

CONNECTORS

RF:.....SO-239

Line:NEMA 5-15P, standard 120 V three wire

Others:.....RCA Phono

PHYSICAL

Dimensions:15-1/2" D x 14-1/2" W x 8-1/2" H

Weight:.....40 lbs.

GENERAL INFORMATION

SAFETY INTERLOCK

An interlock switch is closed while the amplifier's top cover is in place. This switch completes the primary circuit of the power transformer. The interlock will open and de-energize the transformer primary if the top cover is removed.

DANGER: High voltage can kill! Accidental contact with the voltages in this amplifier can be lethal.

For your personal safety please observe the following precautions:

1. **NEVER** defeat the interlock.
2. **NEVER** remove the cover with the amplifier connected to the power line.
3. **ALWAYS** allow the capacitors to discharge for several minutes *after* unplugging the amplifier and *before* removing the cover.
4. **ALWAYS** select the high-voltage (HV) function of the Multimeter to check the high voltage potential. **Do not** remove the cover if voltage is indicated.
5. **ALWAYS** ground the tube anode (top metal connector) to the chassis through a low value, high wattage resistor before touching anything inside the amplifier.
6. **ALWAYS** be cautious of heat. Many components inside the amplifier operate at high enough temperatures to cause burns.
7. **NEVER** make any unauthorized component or circuit modifications to this product. The **only** acceptable source for modifications is Ameritron or a source approved by Ameritron. Unauthorized modifications almost certainly will **increase** the risk of equipment failure or personal injury.

PEAK ENVELOPE POWER VS. AVERAGE POWER

Peak envelope power (PEP) is often misunderstood by amateurs. PEP *is not* associated with the sine wave or root-mean-square (RMS) power, and PEP has no fixed ratio to average power on any mode except FM, FSK or CW. It is impossible to use a formula or "rule of thumb" approximation to convert between average and peak voice waveform powers.

PEP is the power at the crest (highest point) of the RF envelope waveform. On SSB, the average power can vary from a few percent to more than half the PEP produced. Generally, PEP on SSB is two to five times greater than the average power. A 50 watt average power SSB signal could produce PEP levels from below 100 watts to more than 250 watts.

On CW and other constant amplitude modes (such as FM or RTTY), the PEP is *always equal* to the average power. For example, on CW, FM, or RTTY 1000 watts of average power produces exactly 1000 watts of PEP.

CIRCUIT DESCRIPTIONS

ALC

The AL-572 is one of the few amplifiers using a "true" automatic level control (ALC) circuit. In this amplifier, the ALC actually samples grid current and power supply loading to determine the ALC voltage. The front panel "ALC SET" knob adjusts the level of grid current where ALC action begins. ALC action begins softly over a range of a few milliamperes to minimize distortion. This soft-touch ALC is an Ameritron exclusive.

The ALC circuit is located on the METER BOARD P/N 50-0080-3 (behind the "MULTIMETER" switch). IC301 (pins 9 and 10) compares the voltage drop (caused by grid current) across R106 in the main power supply board. ALC voltage is derived by comparing the grid shunt voltage to the voltage from the power supply.

The pin 8 output of IC1 will go negative if the grid shunt voltage exceeds the voltage from divider R311 and R2 (chassis mounted control), or if the supply voltage sags from excessive line voltage drop. Pin 8 is followed by current buffer Q303 that sources the negative ALC voltage to the ALC output jack.

This amplifier includes an ALC Limit control on the rear panel. This control reduces overshoot and eliminates motorboating (a slow rhythmic fluctuation) in the transmitted signal. These problems are caused by excessive transceiver ALC attack time delay. This control sets the maximum voltage level available from the ALC circuit. Adjustment details begin on page 17.

DYNAMIC BIAS

Conventional bias circuits force high power linear amplifiers to dissipate hundreds of watts during low or no signal periods. This creates needless heat, since virtually no dissipation is required unless the amplifier is being driven with large signal levels.

The AL-572 contains an exclusive bias circuit that reduces the idling (quiescent) current very close to the tube's cut-off region. The power amplifier tube in the AL-572 has a full resting period of very low dissipation between dots and dashes on CW and between words on SSB. The lower idling current reduces component temperature on both CW and SSB. If only a few milliwatts of RF power are applied to the amplifier, the quiescent current will increase. Linearity remains excellent with this circuit because the tube can remain biased for class AB operation without unnecessary standing dissipation.

The dynamic bias circuit is located on the Power Supply Board P/N 50-0080-1. Diodes D101 and D102 rectify a small sample of the RF drive voltage. This voltage is applied to the base of dc switch Q101. If Q101's base is driven with a few microamperes of current from the RF sampling circuit, Q101's collector will pull the base of PNP transistor Q102 low. This turns dc switch Q102 on.

When Q102 is on, zener diode D103 is connected between the collector and base of Q103.

D103 sets the operating bias. This zener applies forward bias to Q103's base whenever the collector voltage of Q103 exceeds the voltage of D103. This forward bias will turn Q103 on harder and will reduce the collector voltage. If the collector voltage is less than the breakdown

voltage of D103, Q103 will move towards cut-off and the collector voltage will increase. Q103 functions as a current buffer for zener diode D103.

WATTMETER CIRCUIT

The AL-572 wattmeter circuit uses an accurate directional coupler followed by a true peak detector circuit. This circuit will accurately determine the true peak envelope power (PEP) of normal voice waveforms. If the load SWR is high, the true power reading will be obtained by subtracting the reflected power from the forward power.

POWER SUPPLY

FILAMENT SUPPLY

The filament circuit of this amplifier satisfies all requirements of the tube manufacturer related to tube performance and life. The filament voltage and inrush current are controlled by the power transformer's internal resistance and impedance, filament choke resistance, filament wiring resistance, and the step-start circuit. NEVER replace any circuit components or wiring with substitute parts. This precaution will insure maximum life for the tube.

PLATE (HV) SUPPLY

The plate supply uses a full wave doubler circuit with 200 amp surge rated diodes and a heavy duty 21 pound transformer. Filtering is accomplished by a bank of high quality computer grade capacitors totaling 26 mFd. Large 50k ohm, 7 watt bleeders are used for safety and superior voltage equalization. The transformer allows user selection of fourteen different line voltages (see the "TRANSFORMER CONNECTIONS" section on page 15 for details).

Power is supplied through "OFF-ON" switch S2. A 10 ohm resistor (R27) limits the line current during the filter capacitor charge time to lower component stress. When the filter capacitor charging current decreases sufficiently, RLY102 shorts the 10 ohm resistor. This applies full power line voltage to the transformer. The 10 ohm resistor is protected from high-voltage supply shorts by a 2A slow-blow fuse (F101) during start-up. If F101 or the 10 ohm resistor (R27) fails the amplifier will not start. If F101 fails from a momentary HV to ground fault, meter protection diode D117 may also fail. See the "Metering Functions" section that follows for more information.

METERS

CURRENT METER (PLATE AND GRID)

The plate and grid current meter is located on the far left side of the front panel. This meter indicates the plate current (I_p) on the right-hand meter scale. This scale has a small picket every 25 mA, a large picket every 100 mA, and indicates 1000 mA at full deflection.

The left-hand meter scale indicates the grid current (I_g). The small pickets on this "I_g" scale appear every 10 mA and the larger pickets appear every 50 mA. The full scale "I_g" reading is 250 mA.

The plate and grid meters in this amplifier normally indicate maximum grid current and maximum RF output at or near the same "PLATE" tuning setting. Maximum grid current and minimum plate current also generally occur at the same "PLATE" tuning setting.

Note: If the grid and plate meters always track (move together in exact step) as the tuning controls are adjusted and if they show the same approximate amount of pointer movement, diode D117 on the power supply board could be shorted.

D117 protects the grid current overload circuit (if used) and the meters. This diode is located near the electrolytic capacitors on outside edge of the main circuit board. D117 will usually short if there is a large high-voltage-to-chassis current fault. The grid and plate current meters will not read correctly if this diode fails. If D117 is shorted the overload circuit (if used) may repeatedly trip and grid current may appear excessively high before full power is reached.

MULTIMETER

The multimeter is the meter on the right. It continuously reads the forward *peak envelope power* on its left-hand scale (FWD). This scale is calibrated in 100 watt steps up to 2 kW.

The right-hand scale of this meter provides four metering functions that are selected by the "MULTIMETER" switch. These functions include the measurement of high voltage (HV), reflected power and SWR (REF), ALC voltage output (ALC), and relative ALC threshold (ALC SET). The "Multimeter Functions" section that follows describes these functions in more detail.

Multimeter Functions

HV

The multimeter indicates the dc plate voltage applied to the PA tube when the MULTIMETER switch is placed in the HV position. The correct scale to use is the ALC/ HV scale. This scale has a picket every 100 volts. Two zeros must be mentally added behind the numbers indicated on the meter scale (i.e. multiply by 100), so that "25"=2500 volts and "20"=2000 volts. Do not operate the amplifier if the high voltage is over 3000 volts with the amplifier on standby. See the "TRANSFORMER CONNECTIONS" section on page 15 for information on correcting excessive high voltage.

REF

The multimeter measures the antenna (or load) peak envelope reflected power and the SWR when the MULTIMETER switch is placed in the REF position. The full scale reflected power reading is 500 watts. This scale is marked every 10 watts below 100 watts, and every 100 watts from 100 to 500 watts.

Note: The SWR of the load is measured when the "MULTIMETER" is in the REF position by observing the different red SWR curves. The forward and reflected power meter pointers will cross each other on, or near, the correct SWR curve.

ALC

The multimeter measures the output voltage of the ALC detector when in the ALC position. The full scale ALC reading is 35 volts and is read directly from the ALC/ HV scale. The meter should flick upwards occasionally during normal ALC action.

ALC SET

The multimeter measures the *approximate* grid current that will produce ALC activity when the meter switch is in the ALC SET position. One zero must be added to the reading on the ALC/ HV scale for this function. For example, ALC action will begin at approximately 150 mA of grid current (typically between 120 mA and 180 mA) when the "ALC SET" control is adjusted until the meter reads "15."

TUBE LIFE

The 572B is a reasonably rugged tube. The likelihood of premature failure can be reduced by avoiding excessive tube element temperatures. Element temperature is a function of the duration and the amount of power dissipated. The elements in the 572B have very good immunity to short term overload failures.

The anode in the 572B can tolerate large dissipation overloads for short periods of time due to the thermal mass of the anode. Anode color is a good indication of incorrect tube operation. The anode in the 572B is designed to operate at moderate temperatures. These temperatures normally do NOT produce anode color.

The graphite anode is coated or mixed with a "getter" material that de-gasses the tube. This material is activated by normal operating anode temperatures. The likelihood of gas failure (tube arcing) is reduced by operating the 572B tubes on a regular basis at normal ratings.

Care must be taken to avoid exceeding the temperature ratings of the tube's glass-to-metal seals. The life of the tubes in this amplifier may be prolonged if tuning periods are kept short and a brief "cool-down" periods are provided between tuning periods. Try to allow a one or two minute non-transmitting "cool-down" period after lengthy CW or RTTY transmissions before shutting off the AC power switch.

Incorrect operation is most likely to damage the tube's control grid or anode. Applying full drive power for several seconds with excessively "light" loading (indicated by abnormally high grid current) can cause control grid damage. Several seconds of high drive power operation with improper tuning or excessively "heavy" loading (indicated by low output power in concert with normal plate current) can melt or damage the anode. These undesirable operating conditions can be avoided by following the tuning procedures in this manual.

In the AL-572, a grid current of 200 mA (at 100 watts of drive) produces rated grid dissipation. For maximum tube life, the short-term average grid current and drive power should always be kept below these values.

WARNING: NEVER drive this amplifier with more than 100 watts of short term average envelope power. NEVER allow the grid current to exceed 200 mA under any operating condition.

Maximum power output normally will occur with approximately 125 mA of grid current on CW, or less than 45 mA of grid current (125 mA instantaneous peak) on SSB (two-tone test). Grid dissipation, with 125 mA of grid current and 70 watts of drive, is approximately ten watts.

If you wish to add control grid protection to the AL-572, always remember fuses and resistors are too slow and unpredictable to adequately protect tubes. While grid protection is generally not required with tubes like the 572B, Ameritron does offer an optional fast-acting electronic circuit that will rapidly disable the amplifier if excessive grid current occurs. This circuit also reduces or eliminates the chance of tank component damage from incorrect loading or load failure. The part number of this add on board is 50-0080-5.

The continuous commercial plate current rating of each 572B is 275 mA. For maximum tube life, *total* plate current should be maintained below 1100 mA on CW and other "steady" carrier modes. Brief periods of plate current exceeding 1100 mA will not cause loss of emission or shorten the amateur service life of the tubes in this amplifier.

The application of filament voltage causes thermal stresses from rapid and uneven temperature changes. Avoiding needless cycling of the filament can prevent premature failure or unnecessary stress in the tube's filament.

An accumulation of gas (or stray debris) in the tube can cause the tube to arc between the anode and the other elements of the tube. The resulting "gas arc" will generally manifest itself as a loud "pop" when the amplifier is first turned on. A "gas arc" will often damage diode D117 on the negative rail of the filter capacitor bank and open the fuses in the amplifier. If this problem occurs frequently, the tube should be tested or replaced. The use of low quality tubes, tubes that have been stored for extended periods, or abused tubes increase likelihood of a "gas arc". Ameritron recommends using only current code date 572B tubes.

EXPORT MODIFICATIONS

A simple modification will allow operation on frequencies above 15 meters. Instructions for this modification are available by sending a written request for "Export Modification Instructions" along with a copy of a valid amateur license. There is no charge for this information. Export models are shipped with this modification installed and have an "X" or "Y" following the serial number.

Address: Ameritron
116 Willow Road
Starkville, MS 39759

FAX: (662) 323-6551

TECHNICAL ASSISTANCE

Technical assistance is available during normal central standard time business hours on weekdays. Customer service is more effective when our technicians are provided the following information:

1. Model and serial number
2. Date of purchase and dealer
3. An accurate description of the problem

Meter readings at all stages of the tuning procedure are very important along with a complete description of the other equipment used with our product.

Written assistance is also available. Due to time delays in processing mail, please allow at least three weeks for a written reply. For service or written correspondence, use the following address:

AMERITRON
116 Willow Rd.
Starkville, MS. 39759
Telephone: (662) 323-8211
FAX: (662) 323-6551

Note: Service history has clearly shown that most problems are operating or installation errors, rather than equipment failures. Most problems can be resolved over the telephone. Please contact our staff *before* shipping parts or equipment to us.

The packing materials used to ship this amplifier were specially designed to prevent shipping damage. The original packing materials should be used to ship this amplifier. Replacement packing materials may be purchased from Ameritron if original packing materials are unavailable or damaged.

CAUTION: Never ship this amplifier with the tube installed. Ameritron will not be responsible for shipping damage caused by improper packing.

NOTES

INSTALLATION GUIDELINES AND SUGGESTIONS

LOCATION OF THE AMPLIFIER

Do not install the amplifier in excessively warm locations or near heating vents or radiators. Be sure air can circulate freely around and through the amplifier cabinet. Provide an unobstructed cold air inlet for the amplifier. **DO NOT** place any books, magazines or equipment that will impede the free flow of air near or on the cabinet ventilation holes.

VENTILATION

The AL-572 ventilation system has been designed and tested to maintain tube seal temperatures safely below the tube manufacturer's rating at 600 watts of continuous carrier or 1300 watts of two tone power output when the amplifier is properly tuned. The fan in the AL-572 is a permanently lubricated type that requires no maintenance in normal operation. To insure adequate cooling in your installation, please observe the following:

1. Do not block or unduly restrict the ventilation holes in the cover. Be sure that the amplifier is located in an area so the ventilation holes have open air circulation. It is particularly important to avoid restricting the air inlet.
2. The exhaust airflow is over 30 CFM. Do not "assist" the exhaust airflow with cabinet mounted fans.
3. The most efficient way to improve airflow is to pressurize the air *inlet* area. Be sure that any fan used to assist the inlet airflow has *at least* a 60 CFM rating.
4. The exhaust air will become quite warm at high power levels. Do not place any heat sensitive objects in the exhaust air stream.

POWER CONNECTIONS

The AL-572 is supplied with a NEMA 5-15P plug for 120 Vac operation. Full duty cycle operation with ac supply voltages below 100 volts is not recommended. The "TRANSFORMER CONNECTIONS" section on page 15 show the correct wiring for various supply voltages.

This amplifier has a current demand of 16 amperes at 120 Vac with 1000 watts of RF carrier output. The average power line current during voice peaks on SSB will be approximately 9 amperes at 1300 watts PEP output. Most normal residential power lines and house-wiring will easily meet this current requirement.

If the power mains have excessive resistance, the high voltage may sag to less than 2500 volts under load. Voltage sag will not hurt the amplifier if the fully loaded high voltage remains above 2350 volts.

CAUTION: Never allow the high voltage to exceed 3000 volts under any condition.

For 120 volt operation, the wiring between the fuse box and the amplifier ac outlet must be number 14 gauge (or larger) in order to supply the current required (16 A) without a significant drop in the line voltage. The 120 volt outlet should be fused for 20 amperes.

GROUNDING

Connect a good RF and dc ground to the ground post on the rear panel of the amplifier. Use the heaviest and shortest connection possible. The best materials to use for ground connections are (in order of effectiveness) smooth wide copper flashing, copper tubing, or solid copper wire. ***Never use braided or woven conductors unless the lead needs to be flexed.*** Braided or woven conductors offer a much higher impedance to lightning and RF than an equivalent solid conductors.

Water pipes, metal heating ducts, metal fences and other large metallic masses offer convenient RF grounds. If a water pipe ground is used, inspect all the pipe connections to be sure that no plastic or rubber connections are insulating the pipes. Insulated pipe connections will interrupt the electrical continuity in the water supply system. Install a jumper around any insulated pipe connections you find. Use heavy copper wire or flashing with stainless hose or pipe clamps for the jumpers.

The following tips will help prevent lightning damage and RF grounding problems:

1. Avoid using braided or woven conductors, they have very high resistance for RF and lightning. Remember that RF and lightning flows along the surface of conductors, almost no current flows in the center of the conductor. The lowest RF resistance occurs with large surface area, smooth conductors.
2. Avoid routing a single small gauge conductor along the various pieces of equipment (or to connect multiple ground sources). Instead, use multiple ground leads that connect to a single wide buss at the operating position. Keep all ground leads as short and wide as possible.
3. Buried radials provide much better lightning and RF ground connections than ground rods do, although both are needed for safety.
4. Avoid sharp bends in ground leads. When changing the direction of a ground lead use a gradual radius turn.
5. Avoid second story operation. A good ground is much easier to obtain on the first floor or in the basement of a structure.
6. Air-core choke baluns should be used on all coaxial feedlines. The feedlines should be coiled into several 4" to 6" diameter turns *before* they enter the building. Either directly bury the feedlines a few inches deep in the ground for a minimum distance of ten feet or ground the shields to a separate earth ground on the antenna side of the choke.

TRANSFORMER CONNECTIONS

The power transformer can be adjusted for various power line voltages by changing a group of jumper wires located near the outside edge side of the large power supply circuit board. These jumpers are located above the power transformer and have letters and numbers plainly marked on the circuit board. The jumper connection points are labeled A through F and 1 through 3.

120 volt operation will normally be adequate in most situations. Operating this amplifier on 240 volts may be advantageous if the 120 volt power mains have abnormally high resistive loss. 240 volt operation is advisable when house lights dim or "blink" during operation or if the amplifier's HV drops below 2500 volts at full output. ***For maximum safety, never operate this amplifier on mains that use fuses or circuit breakers rated above 25 amperes on 120 volts, or 15 amperes on 240 volts.***

The power transformer of the AL-572 has fourteen different voltages available on the primary and is rated at full power on frequencies of 50 and 60 Hz. The jumper connections chart below indicates the proper placement of jumpers for various power line voltages.

The high voltage secondary of the AL-572 has three leads. The normal wiring is indicated on the circuit board silk-screen by the initials R/Y (RED/YELLOW) and R/G (RED/GREEN). For low power operation the R/Y and R/G wire can be reversed. This will reduce the plate voltage of the AL-572 to permit operation at output levels below 400 watts.

WARNING: The AL-572 requires different back panel fuses for various line voltages. Use the fuse listed in the jumper connections chart for maximum protection.

HIGHEST LINE-V	JUMPER FROM TOP LETTERS TO BOTTOM LETTERS IN COLUMN						LINE FUSE
	A	B	C	D	E	F	
205		C	B		3	1	12
215		C	B		3	2	12
220		C	B		2	1	12
230		C	B		F	E	10
240‡		C	B		1	2	10
245		C	B		2	3	10
250		C	B		1	3	8
90	B	A	D	C	3	1	25
100	B	A	D	C	3	2	25
110	B	A	D	C	2	1	25
115	B	A	D	C	F	E	20
125†	B	A	D	C	1	2	20
130	B	A	D	C	2	3	20
140	B	A	D	C	1	3	15

†Factory wired Model AL-572 and AL-572Y

‡Factory wired Model AL-572X

INTERCONNECTIONS

1. Connect the exciter's RF output to the "RF IN" connector on the rear of the AL-572 with 50 ohm coax. Use any good quality 50 ohm cable long enough to connect the amplifier to the exciter. This amplifier connection uses a standard SO-239 female that mates with a PL-259 male connector on the cable.
2. Connect the existing station antenna system to the "RF OUT" connector on the rear of the AL-572 with RG-8 type coax. This amplifier connection uses a SO-239 female that mates with a PL-259 connector on the cable.
3. Shielded audio type cable with a standard male phono plug should be used to connect to the "RLY" jack on the AL-572. This jack has positive 12 Vdc open circuit and supplies 100 mA of current when pulled to ground. The relay circuit has an internal back pulse canceling diode to protect sensitive exciter circuits from damage.
4. Connect a short, wide, and smooth ground lead from a good earth and RF ground to the rear panel "GND" terminal. Avoid using braided conductors for ground leads.
5. The "12 V" connection on the rear panel provides 12 Vdc at 200 mA maximum to operate external dial lamps or accessories such as the ATR-15 Antenna Tuner.
6. Connect the "ALC" jack to the ALC input of the exciter with a shielded cable and a phono plug. The proper connection point on the exciter should be indicated in the exciter's manual. The AL-572 ALC will operate with any exciter that uses a negative-going ALC voltage of up to 10 volts.

Note: Transceiver ALC response times and ALC voltage requirements vary with different manufacturers.

OPERATING INSTRUCTIONS AND GUIDELINES

FRONT PANEL CONTROLS

"MULTIMETER" Switch

This four position switch selects either the plate voltage (HV) of 0-3500 volts, the reflected peak envelope power (REF) of 0-500 watts, the ALC detector output voltage (ALC) of 0-35 volts, or the approximate ALC grid current threshold (ALC SET) of 0-350 mA. See the "Metering Functions" section on page 9 for more details.

"OFF-ON" Switch

This switch turns the main power off and on. When this switch is placed in the "ON" position the fan should start, the meters should be illuminated, and high voltage should appear.

"STBY-OPR" Switch

This switch disables the amplifier's internal antenna relay. In the "STBY" position the amplifier is bypassed without turning the tube's filaments or the power supply off.

This switch will also reset the grid protection circuit if an optional grid overload protection circuit is installed. The overload circuit will be reset whenever this switch is placed in the "STBY" position and returned to the "OPR" position.

"PLATE" Control

The "PLATE" control adjusts the output tank circuit to resonance. This control should *always* be adjusted for maximum RF output power. Maximum RF output power normally occurs simultaneously with maximum grid current and very close to the plate current "dip."

"LOAD" Control

This control adjusts the coupling of the amplifier to the antenna or load. This adjustment insures optimum coupling between the tube and the load as the SWR of the load, the operating frequency, or the power level is changed. Advancing the "LOAD" control clockwise increases the RF power output capability and the linearity of the amplifier. Advancing the "LOAD" control (clockwise rotation) also *decreases* the grid current and *increases* the plate current for a given amount of drive.

The efficiency of the amplifier and the grid current decrease if the "LOAD" control is rotated beyond the point of maximum output. The linearity, however, will increase. The proper position for this control is *slightly* clockwise from the setting that produces maximum output with full drive power applied to the input. Never use the "LOAD" control to adjust the output power. Always set power by reducing exciter power.

The "PLATE" control should always be checked after the "LOAD" control is adjusted by more than one number. This is especially important at the high end of the "LOAD" range on 20 meters and above. For example, if the "LOAD" is advanced from 7-1/2 to 8-3/4, the "PLATE" should be re-tuned. If the "LOAD" is touched up only a slight amount, the "PLATE" setting will not usually require re-adjustment.

ALC METERING, CONTROLS, AND ADJUSTMENTS

ALC Metering Functions

The "MULTIMETER" switch in the AL-572 has two positions that indicate the functioning of the ALC circuit. These positions are as follows:

ALC

In this position the multimeter measures the output voltage of the ALC detector. The full scale reading of the ALC detector voltage is 35 volts. It is read directly from the ALC/ HV scale of the multimeter. The multimeter will indicate the maximum value of ALC voltage available from the internal ALC circuit. The meter should flick upwards occasionally during normal ALC action in this position.

ALC SET

In this position the multimeter measures the *approximate* grid current that will produce ALC activity. One zero must be added to the reading on the ALC/ HV scale for this function. For example: If the meter reads 15, add one zero (150). In this example ALC action will begin at *approximately* 150 mA of grid current.

ALC Controls

The position of the "ALC SET" control determines the grid current value that will begin to produce ALC voltage. Rotating the "ALC SET" control counter-clockwise *reduces* the maximum grid current obtainable and the available RF power output. Rotating the "ALC SET" control clockwise *increases* the maximum grid current level.

The approximate grid current available before ALC action begins can be determined by placing the "MULTIMETER" switch in the "ALC SET" (far clockwise) position. The "ALC SET" control should normally be adjusted to produce a multimeter reading of 12 to 18 volts with the "MULTIMETER" switch in the "ALC SET" position. This will allow a maximum grid current of approximately 120 to 180 mA.

ALC Adjustments

SSB Operation

During SSB operation two adjustments affect the ALC and the sound of the signal. One is the *exciter's* microphone gain (or RF output level) adjustment. It will control the "fullness" of the ALC and the average output power. It will have very little effect on the peak output power, however. The fullness of ALC action is indicated by the meter reading in the multimeter ALC position. More exciter audio gain or power output will drive the amplifier's ALC circuit harder, and produce a more constant meter reading. This produces RF compression that increases the "talk power" without increasing signal bandwidth or distortion.

Note: Audio background noise will increase while using heavy ALC levels on SSB. Objectionable background noise levels may occur while using heavy amounts of ALC, especially if the heavy ALC levels are used in conjunction with other speech processing. In these situations, operating in a quiet room and "close talking" the microphone will minimize objectionable background noise.

The amplifier's "ALC SET" control determines the *level* of grid current that produces ALC activity. The maximum power output level. This amplifier has the best linearity when the "ALC SET" control is adjusted to limit the peak grid current to 150 mA or lower. This adjustment must be made with a carrier or single tone signal. When the "ALC SET" control is properly adjusted, it will be impossible to exceed 150 mA of grid current with any tuning or drive adjustment.

CW Operation

During CW operation the "ALC SET" control voltage should be adjusted just high enough (clockwise) to allow the desired output power to be reached. The "ALC SET" control should *never* be adjusted to the point where the grid current can exceed 200 mA under any tuning or drive adjustment condition. During proper CW ALC operation, the exciter drive level control

should be adjusted until the ALC voltage meter slightly flickers (ALC position of the "MULTIMETER" switch) while operating with normal output power levels.

The ALC circuit will limit the amplifier's grid current to a safe value if anything accidentally changes in the station or the antenna. The CW keying waveform of the radio will remain unaltered when the ALC is adjusted in this manner.

Note: Caution should be exercised if the ALC SET is used to control the CW power output with the exciter power control set at maximum. Key clicks may be produced if the exciter has a poor ALC response time. Check for proper wave shape when using the ALC in the amplifier exclusively to control the RF output power.

Rear-panel "ALC LIMIT" control

The "ALC Limit" control (rear panel) limits the maximum voltage available from the ALC circuit. This control is necessary only because the ALC response times and voltage requirements for exciters have never been standardized. The ALC voltage requirements may even vary between different models produced by the same manufacturer.

If the ALC response time of the exciter (transceiver) is faster than the rise time of the RF envelope, there will be no voltage compatibility problems. The ALC voltage from this amplifier will automatically self-adjust to the value required by the exciter.

If the ALC voltage requirements are low and/or if the ALC attack time is slow, the ALC may cause the output power to "pump" at a very slow rate. The undesired "pumping" can be corrected by reducing the amplifier's ALC output voltage with the "ALC Limit" control (R1).

A full counter-clockwise "ALC Limit" setting will produce approximately 10 volts of maximum negative ALC voltage. A full clockwise setting (viewed from amplifier rear) will produce no ALC voltage. Always start with this control fully counter-clockwise before slowly advancing this control clockwise. The "ALC Limit Adjustment" section that follows gives adjustment details.

ALC Limit Adjustment (rear panel)

This adjustment procedure should be used if "pumping" occurs from excessive transceiver ALC sensitivity and/or slow transceiver ALC response time:

1. Load the amplifier for maximum output on any band (see tuning instructions later in this manual).
2. Adjust the "ALC SET" control on the front panel and the rear panel "ALC Limit" potentiometer to their full counter-clockwise positions.
3. Apply full exciter drive power, and adjust the rear panel "ALC Limit" potentiometer clockwise (rear view) until the amplifier's ALC output voltage meter (multimeter "ALC" position) indicates 6 to 10 volts. As an alternative, the potentiometer can be adjusted clockwise until the RF output power reaches 300-500 watts.
4. Adjust the front panel ALC SET control to the desired power level.

DRIVING POWER

This amplifier is designed to operate at full ratings when it is driven by an exciter that has approximately 70 watts of RF output. An exciter with a lower output power may be used with a resulting decrease in amplifier output. Both the driving power and the "LOAD" control must be carefully adjusted when using an exciter that delivers more than 70 watts. Proper control settings will help prevent excessive grid current and spurious signals, which create needless interference to other operators. A monitor scope is recommended for continuous output observation. An oscilloscope is the best way of determining if the amplifier is "flat-topping" and producing excessive distortion products.

A second method of determining linear operation is to monitor the peak RF output power carefully on the AL-572's internal meter. Determine the maximum obtainable RF output power and reduce the exciter's power until there is a noticeable margin from the maximum output power. This will insure some reserve power is available for random voice peaks.

Note: Never increase the drive power beyond the point where the amplifier's output power stops increasing. This is also the point where the grid current will begin rising rapidly.

The amplifier is being over-driven for a given "LOAD" setting when the grid current increases rapidly while the plate current and output power increase slowly. The amplifier "LOAD" control needs to be *advanced* to a higher number if this condition occurs. Non-linear operation, splatter, and excessive grid current will occur if the "LOAD" setting is too low. Excessive plate current is the proper indicator that the drive power limit has been reached.

TUBE AND COMPONENT LIFE

These guidelines will help prolong tube and component life, and minimize splatter.

1. On SSB or other linear modes virtually *any* amount of power will cause splatter if the loading is too light ("LOAD" control too far counter-clockwise). Always tune for *maximum* output with *maximum* drive power. Reduce the *drive power* to reduce the output power on SSB, not the loading control.
2. Lightly loading an amplifier will also result in large voltages building up in the tank circuit. Under-loading an amplifier is much harder on the tubes and other components than operating a properly loaded amplifier into a high SWR or with excessive drive power. We recommend slightly overcoupling the amplifier (loading control advanced slightly beyond the point of maximum output) to insure the best linearity and freedom from arcing.
3. Never depend on *average* reading power or current meters to indicate proper operation on SSB or other linear modes. The best indicator of linearity is either an oscilloscope or the internal PEP RF output meter. Maximum linearity can be determined by finding the maximum output power possible and then reducing the *exciter power* for a slight reduction in output power.
4. Never *exceed* 170 mA of grid current on CW carrier during actual operation. The proper grid current for SSB will range from 0 to 75 mA. The SSB grid current will vary with the operator's voice, the amount of signal compression or processing, and the tube characteristics.

TUNING

WARNING: The transformer must be wired correctly for your line voltage. This amplifier is normally shipped wired for standard 120 Vac operation. See the "TRANSFORMER CONNECTIONS" section on page 15 for details.

Important Note: If you have installed the optional electronic grid protection circuit to prevent control-grid damage, this amplifier will quit operating if the grid current exceeds a safe pre-set limit. *The overload circuit responds much faster than the grid current meter.* The overload circuit will respond to excessive grid current before the operator can observe the increase on the grid current meter. The grid overload circuit can be reset by momentarily placing the "STBY-OPR" switch in the "STBY" position.

Many exciters generate high-level RF pulses when first keyed. These short duration pulses may greatly exceed the exciter's operating output power setting. Unexplained activation of the grid overload circuit may indicate the existence of this common exciter problem.

Never under-load the amplifier to reduce the output power. The amplifier "LOAD" control must be set to a high enough position (clockwise) to prevent excessive voltage and arcing in the tank circuit or excessive grid current. Repeated tripping of the grid overload circuit or intermittent arcing probably indicates the "LOAD" control is adjusted too low.

The goal of the following tuning procedure is to adjust the amplifier tuning and loading to provide maximum output at maximum exciter power. Avoid depending on the exciter's power control or ALC to maintain reduced power output, and peaking the amplifier at this reduced drive level. If the exciter suddenly puts out more power, the sudden surge of energy can cause splatter or cause the amplifier to arc.

Overshoot is especially troublesome with radios capable of operating at more than 100 watts output power. For example, in several tests of popular 150 watt output radios, several radios adjusted to provide less than 100 watts output power during carrier conditions "spiked" above 200 watts before their ALC systems took control. The transient output power pulse is fast, often lasting only a few milliseconds. The rapid speed of the pulse prevents normal peak reading meters or non-storage oscilloscopes from clearly indicating the problem.

Overshoot problems are common, and we recommend slightly *over-coupling* the amplifier to the load. Overcoupling is accomplished by advancing the LOAD control *slightly* beyond the point of maximum output power with full exciter drive (not to exceed 110 watts).

Tuning Procedure

Proper tuning will produce excellent output power, a clean signal, and good tube life. If the various meter readings are different than indicated in the text, check the external amplifier connections. Consult the manual for the exciter if necessary.

Please go through the following procedure carefully, in numerical order, until you develop a "feel" for operating and tuning this power amplifier. Once you are used to operating this amplifier, steps *not* marked with an asterisk (*) can be eliminated.

1. Set the AL-572 front panel switches as follows:

POWER	to	OFF
OPR-STBY	to	STBY
MULTIMETER	to	HV

2. Plug the ac line cord into the proper voltage outlet.
- *3. Place the main power switch in the "ON" position. The meter lamps should light and the blower should start. Read the 3500 volt scale on the multimeter. It should indicate 2800 volts nominal and no more than 3000 volts.
4. With the amplifier still on "STBY", tune the exciter into a normal 50 ohm load according to the manufacturer's instructions (solid state radios do not normally require this adjustment). Turn the exciter drive down after tuning.
- *5. Place the amplifier's "BAND" switch on the same band as the exciter. Set the "PLATE" control and the "LOAD" control as indicated below:

CW		
Frequency	PLATE	LOAD
1.810	3-1/2	3-1/2
3.600	2	1-1/2
7.050	6-1/2	1
10.125	4-1/2	0
14.050	8-1/2	4
18.125	8	2-1/4
21.050	9	5-1/2
24.900	8-1/4	3
28.050	9-1/2	5-3/4

PHONE (SSB)		
Frequency	PLATE	LOAD
1.850	4	4-1/2
3.900	3-1/4	3-1/4
7.200	7	2
14.250	8-1/2	4
21.350	9-1/4	6
28.500	10	6

6. With the exciter's drive level still on zero, observe the 1000 mA I_p scale on the left hand meter. It should indicate zero (0) amperes.
- *7. Place the "STBY-OPR" switch in the "OPR" position. Place the exciter in the transmit mode with no RF output. The red "XMT" LED should light and plate current (I_p on the left meter) should be close to zero (0).
8. With the exciter in the transmit mode, apply a very low amount of RF drive power (about 100 mW). The plate current meter (I_p) should suddenly indicate about 100 mA.

Note: Currents may vary up to 25% due to component and line voltage tolerances. If the current in this step is higher than expected, the RF level from the exciter may be too high.

If the exciter does not allow adjustment to very low CW power levels, the exciter can be placed in the SSB mode and the audio (microphone) gain control advanced from minimum while speaking until the plate current (I_p) just flickers upwards. The plate current (I_p) should be around 100 mA on these flickers.

9. Place the "MULTIMETER" switch in the "ALC SET" position. Adjust the front panel "ALC SET" control until the multimeter indicates 8 volts. This adjustment will limit the amplifier's grid current to approximately 80 mA.

Steps 10a and 11a require a connection from the amplifier's ALC output to the exciter's ALC input.

Steps 10b and 11b should be used if the exciter and amplifier ALC lines are not connected.

Note: Step 10 requires the simultaneous observation of the plate current (I_p) and the grid current (I_g).

- 10a. If the ALC line is connected, adjust the exciter's drive or power output control to maximum. *NEVER ALLOW THE GRID CURRENT (I_g) TO EXCEED 120 mA OR THE PLATE CURRENT (I_p) TO EXCEED 500 MILLIAMPERES AT THIS STAGE OF TUNING. If either current exceeds these limits, reduce the exciter's power.* Adjust the "PLATE" control for maximum output power. The plate current (I_p) of the amplifier and the output power of the exciter should dip (decrease) when this adjustment is made.
- 10b. If the ALC is not connected, place the exciter in the transmit mode and gradually increase the drive until a *grid current* of 120 mA *or* a *plate current* of 600 milliamperes (whichever is higher) appears. The "PLATE" control should be adjusted until maximum grid current and maximum RF output power appear. The plate current (I_p) should dip slightly when the grid current and output power peak.

Remove drive power and unkey exciter.

- *11a. Increase the "ALC SET" voltage (if the ALC is connected) until 180 mA (18 volts) is indicated. Apply full drive (not to exceed 100 watts) and adjust the "LOAD" and "PLATE" controls for maximum RF output power. The grid current should not be allowed to go above 200 mA at this stage. The plate current should not be allowed to exceed 750 mA except during brief periods of tuning (15 seconds).

- *11b. Increase the exciter drive power (if the ALC is not connected) until 180 mA of grid current is indicated. Adjust the "LOAD" and "PLATE" controls for maximum RF output power. The grid current should not be allowed to go above 200 mA at this stage. The plate current should not be allowed to exceed 750 milliamperes except during brief periods (15 seconds or less).
- *12a. For CW operation, the output power should be reduced with the "ALC SET" control until the rated output power of 1000 watts is obtained. The exciter's power can be reduced until the multimeter shows a slight upward flicker with the "MULTIMETER" switch in the ALC position if the ALC is used.
- *12b. For SSB operation, the "ALC SET" should be adjusted to allow 120 mA of grid current (near the 12 volt marking). The exciter should be set to produce maximum output power (not to exceed 110 watts of peak power). Next the amplifier's "LOAD" and "PLATE" controls are adjusted for maximum power output on the internal peak reading RF wattmeter with either a two-tone generator or sustained "HEL-L-L-L-L-O" driving the exciter.

The "ALC SET" control should then be reduced until the peak power output is just reduced slightly. Finally the exciter's audio gain or output power is adjusted until the multimeter "ALC" position indicates the desired ALC level. This setting should normally allow around 120 mA grid current on a steady carrier or "whistle".

Note: If the ALC is not connected, the amplifier should be fully loaded with maximum drive (not to exceed 110 watts). The exciter's output should then be reduced (either with the microphone gain or power output control until the output power shows a very slight reduction).

"ALC SET" control

Proper adjustment of the front panel "ALC SET" control accomplishes the following:

1. The exciter's power is limited to a value that will produce a fixed amount of grid current in the amplifier. The front panel "ALC SET" control determines the maximum grid current that can be produced.
2. The "LOAD" control setting will determine the maximum plate current and output power for a given grid current. Never exceed 750 mA of long duty cycle (more than 15 seconds without a 15 second cool down period) plate current. Never exceed 200 mA of operating grid current.
3. For normal SSB operation, the exciter power should be reduced until the ALC voltage (measured in the ALC multimeter position) flicks upwards on occasional voice peaks. This will produce the best audio quality. The drive can be increased for DX or weak signal SSB operation until the ALC steadily registers voltage.

Also see the "ALC METERING, CONTROLS, AND ADJUSTMENTS" section beginning on page 17, and the "MULTIMETER" section beginning on page 9.

ADDITIONAL SSB NOTES

The peak power output developed on SSB is limited by the amplifier loading, RF drive, and peak-to-average power of the RF waveform. Proper loading of this amplifier will produce excellent linearity and a clean signal even if the output power level exceeds one kilowatt PEP. An improperly adjusted (too far counter-clockwise) "LOAD" adjustment can produce flat-topping and splatter with only a few hundred watts of RF output. The "LOAD" setting is the single most important adjustment for proper SSB operation.

Note: Always remember that the "LOAD" control setting is much more important than any other parameter for good linearity! Good linearity means a "clean" signal!

To maintain linearity, *always* be sure that the "LOAD" control is adjusted slightly further *clockwise* than the position that gives maximum output at *peak* or maximum drive.

Be considerate of others, NEVER "push" this amplifier into envelope clipping or to the point where the grid current approaches 75 mA on voice peaks. Envelope clipping can be also be avoided by adjusting the amplifier's "ALC SET" control until the peak output power drops slightly from the power obtained with full microphone gain and a fully clockwise /"ALC SET" adjustment. For the cleanest audio, the microphone gain can be reduced until the ALC meter just flickers.

AM (AMPLITUDE MODULATION) OPERATION

The efficiency of *any* conventional linear amplifier must remain below half the peak efficiency under maximum signal conditions (less a safety factor) in AM operation. Since this linear amplifier has a peak plate efficiency of nearly 60%, the carrier efficiency must be kept below 30% to maintain linearity. The power dissipated in the tube anodes will slightly more than twice the carrier output power.

The carrier power must be kept below 250 watts for clean and safe AM operation. With 250 watts of carrier, the peak envelope power will reach 1000 watts with 100% symmetrical modulation. The modulated AM power output should be limited to 1300 watts peak with non-symmetrical modulation that enhances the positive peaks.

AUDIO DISTORTION

One problem that often occurs when using a linear power amplifier is SSB audio distortion on one or more bands. This distortion is usually caused by RF feedback from either a poorly designed antenna or poor RF grounding. *REMEMBER THAT A GOOD GROUND FOR DC IS NOT NECESSARILY GOOD FOR RF.* RF circuits require short connections with smooth, wide conductors. Braiding or woven wire has a very high RF resistance and should be avoided. See the "GROUNDING" section on page 14 of this manual. More detailed suggestions on grounding are available by requesting Ameritron's Tech Bulletin on RF Feedback.

FM (FREQUENCY MODULATION), RTTY, AND DIGITAL OPERATION

The efficiency of this amplifier will approach 62% in the FM, RTTY and DIGITAL OPERATION modes. Since these modes do not require linear amplification of complex waveforms, the tuning can be re-adjusted for maximum power at the desired output power level. This will keep the efficiency as high as possible.

QSK OPERATION

The antenna transfer relay in the AL-572 takes approximately 15 milliseconds to change states. This precludes using the standard internal relay for QSK CW operation. Commonly available vacuum relays are specified at 5 to 7 milliseconds of switching time. Even expensive vacuum relays are less than ideal for high speed QSK operation. At 60 WPM, less than 50% of the receive-time is available with vacuum relays.

On PACKET, AMTOR, and other modes, delay can be added to the transmit and receive changeover to use either vacuum or our standard relay effectively. Ameritron offers two high-speed PIN diode options that permit operation on modes requiring high speed receive-transmit switching. Both systems offer noiseless switching times of under one millisecond. Since these PIN diode systems are several times faster than vacuum relay systems, they will allow over 90% of the available receive time to be used at 60 WPM.

Ameritron highly recommends using the external QSK-5 switch. This stand alone PIN diode switch can be used with almost all types of amplifiers and transmitters. Modifications are not required in amplifiers used with the QSK-5 unit. The QSK-5 operates directly from 120 Vac power lines.

Ameritron also offers an internal QSK board as a space-saver for the AL-572. This internal board is slightly less expensive. However, it provides less flexibility and serviceability than the external QSK-5 unit. Factory installation of the QSK-5PC is highly recommend. Contact Ameritron for details on the QSK-5 and the QSK-5PC.

PERIODIC MAINTENANCE

The high voltage present on various parts of the amplifier will attract dust and dirt. The high voltage areas at the bottom of the plate choke and the plates and insulators of the air variable capacitors should be kept dust free. These areas should be inspected periodically, especially if the amplifier is operated in a dusty environment. These areas may be inspected by unplugging the line cord and waiting a few minutes for the power supply capacitors to discharge. The high voltage should then be checked with the internal multimeter by placing the meter switch in the HV position.

DANGER: High voltages can kill! Accidental contact with the voltages in this amplifier can be lethal!
--

For your personal safety please observe the following precautions:

1. **NEVER** defeat the interlock.
2. **NEVER** remove the cover with the amplifier connected to the power line.
3. **ALWAYS** allow the capacitors to discharge for several minutes ***after*** unplugging the amplifier and ***before*** removing the cover.
4. **ALWAYS** select the high-voltage (HV) function of the Multimeter to check the high voltage potential. ***Do not*** remove the cover if voltage is indicated.
5. **ALWAYS** ground the tube anode (top metal conductor) to the chassis before touching anything inside the amplifier.
6. **ALWAYS** be cautious of heat. Many components inside the amplifier operate at high temperatures.
7. **NEVER** make any unauthorized component or circuit modifications to this product. The ***only*** acceptable source for modifications is Ameritron or a source approved by Ameritron. Unauthorized modifications almost certainly will **increase** the risk of equipment failure or personal injury.

The cover should be removed and a low value (40 to 500 ohm) two-watt or larger resistor should be secured to the chassis. The other end of this resistor should be connected to the tube anode with an insulated clip lead.

CAUTION: NEVER ground the anode directly to the chassis without a series resistor. Component damage may occur from the current surge.

Note: This resistor is a safety device that must be installed when beginning service work and removed when the work is finished.

Dust and dirt can be blown out of the amplifier with a shop vacuum or a high pressure air hose. A soft bristle brush dipped in alcohol can be used to clean particularly dirty areas. If the amplifier is operated in a dusty environment, a non-conductive low- restriction foam air filter can be placed over the ventilation holes on the left side of the cabinet near the filter capacitors. Placing an air filter over these air inlet holes will substantially reduce the amount of dust entering the cabinet. Most hardware stores stock suitable air filter material that are used as replacement filters for window air conditioners.

PARTS LIST

POWER SUPPLY / SWR BOARD (50-0057-1)

Designator	Description	Ameritron P/N
D101,102,114,115	1N34A	300-0346
D103	1N757A Zener 9.1V	305-0757
D116-120	1N4001	300-0266
D104-113	1N5408	300-0145
C101	27 pF 500 V	208-5404
C102,105	.001 uF 1 kV	200-2120
C103	10 pF 1 kV	200-3531
C104	3-12 pF 500 V Trim	204-0150
C106,125,126,129,135-137	.01uF 50 V Disc	200-0416
C140	.47 uF	203-0530
C107-116	.01 uF 1 kV	200-2121
C117-124	210 uF 450 V Elect.	203-0578
C127	270 pF 500 V	208-5775
C128,138,132,139	.1 uF 50 V	200-0754
C130,131	.01 uF 250 Vac	200-2122
C133	2200 uF 25 V	203-0207
C134	220 uF 25 V	203-0565
R101	4.7k mox 1 W	103-1747
R102	470k 1/4 W	100-0188
R103,104,121	10k 1/4 W	100-4100
R105	10 ohm 1/2 W	100-0727
R106	1.5 ohm 2 W 1%	103-3400
R107	0.6 ohm 3 W 1%	103-3399
R108,109	1M 3 W 1% special high voltage type	103-2223
R110,111	750k 2 W mox 2%	103-1743
R112-119	50k 7 W 5%	103-7580
R120	51ohm 2 W mox 5%	103-2151
R122	6.8k 1/4 W	103-1747
R123	1.8k 1/4 W	100-0728
R124,125	50k trim pot	104-0400
R126,128,128	47k 1/2 W	101-0402
R127	10 ohm 10 W	103-9702
R130	47 ohm 1/2 watt	101-1470
RLY101	3PDT 12 Vdc	408-6140
RLY102	SPST 12 Vdc	408-6148
RFC101	Choke 3 turns FB-73	10-15168
T101	Toroid	10-14134
Q101	2N3904	305-0645
Q102	2N3906	305-0722
Q3 (see main chassis)	MJF3055 transistor, NPN	305-3055
F101	2 A	755-1102

TUNED INPUT BOARD (50-0057-2)

Designator	Description	Ameritron P/N
C201 (transmitter side)	See input chart	
C202 (tube side)	See input chart	
C213-215	.01 1 kV disc capacitor	
RFC1	filament choke 30 ampere	
L201	See input chart	
S201	Input switch	

AL-572 TUNED INPUT CHART

BAND	C201,211 (pF) input	L201	C 202,212(pF) tube
160	2700 (208-5689)	23.75T new	2700 (208-5689)
80	1300 (208-5177)	22.75T new	1000 (208-5176)
40	750	13.75T (405-1137)	500 (208-5691)
20/30	330	9.75T (405-1097)	220 (208-5175)
15/17	270	8.75T (405-1087)	180 (208-5396)
10/12	100	3.75T (405-1037)	
C217		68 pF	

METER BOARD (50-0057-3)

Designator	Description	Ameritron PN
D301	1N34A	300-0346
C301, 302	.47 uF 50 V tantalum	203-0530
C303, 304, 307-311, 314, 315	.1 uF 50 V	200-0754
C305, 306	.001 uF 1 kV	200-2120
R301, 302	2.2M 1/4 W	100-6220
R303	390 ohm 1/4 W	100-0390
R304	2.2k 1/4 W	100-1500
R305	470k 1/4 W	100-0188
R306, 310	10k 1/4 W	100-4100
R307	100 ohm 1/4 W	100-2100
R308, 311	33k 1/4 W	100-3330
R309	4.7k 1/4 W	100-1470
R312	330 ohm 1/4 W	100-0330
R313	270 ohm 1/4 W	100-0600
IC301	LM324	311-0324
Q301, 302	2N3904	305-0645
Q303	2N3906	305-0722
S301	Rotary 2P6T	500-0563

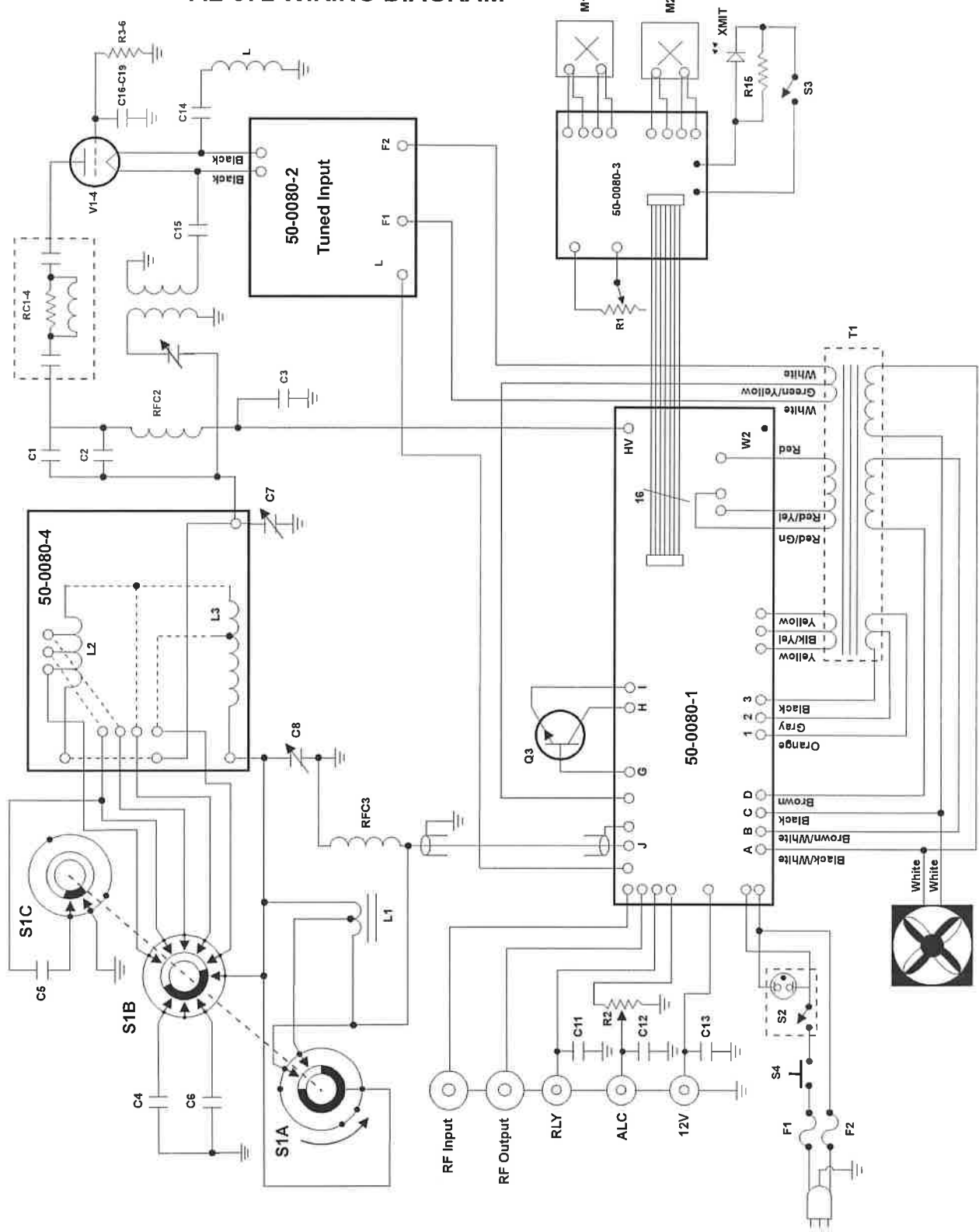
TIMER / OVERLOAD BOARD (50-0057-5)

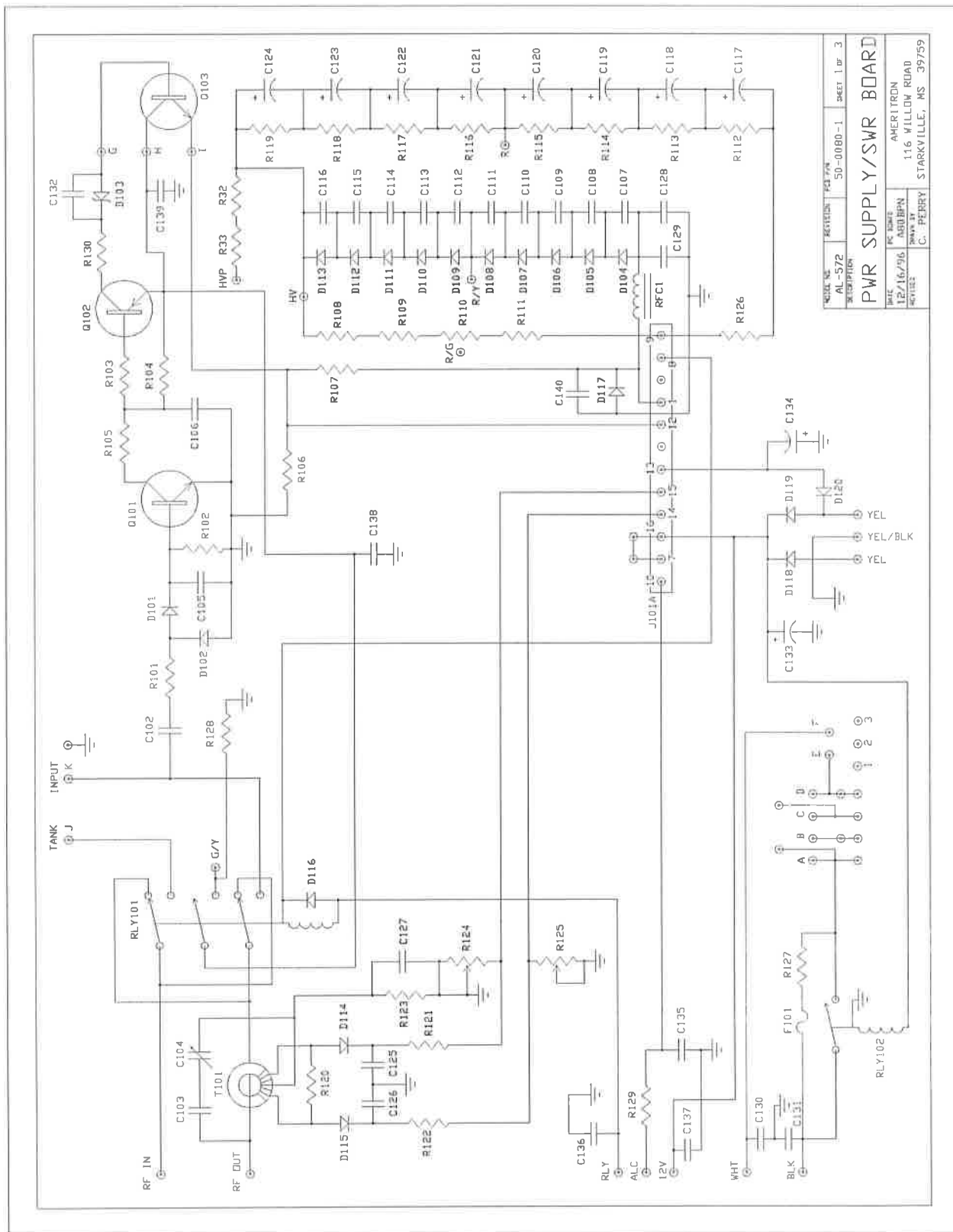
Designator	Description	Ameritron P/N
C501-506	.01 uF 50 V disc	200-0416
C507,508	.47 uF tantalum	203-0530
C509	100 uF 25 V	203-0564
D501, 502	1N4001	300-0266
D503	5.6 V zener	301-710
IC501	LM 358 dual op-amp	311-0724
Q501	NPN transistor MJF3055	305-3055
Q502	PNP transistor 2N3906	307-0722
Q503, 504	NPN transistor 2N3904	305-0645
R501-503	10k 1/2 W	101-0643
R504, 505	3.3k 1/4 W	100-0729
R506, 508	680 ohm 1/4 W	100-0532
R507	1.8k 1/4 W	100-0728
R509	1 meg 1/4 W	100-0730
R510	1k 1/4 W	100-0727
R511	180 ohm 1/2 W	101-0384
RLY501	DPDT 12 V dip relay	408-2135
FB	FB 73-801 Ferrite Bead	10-15168

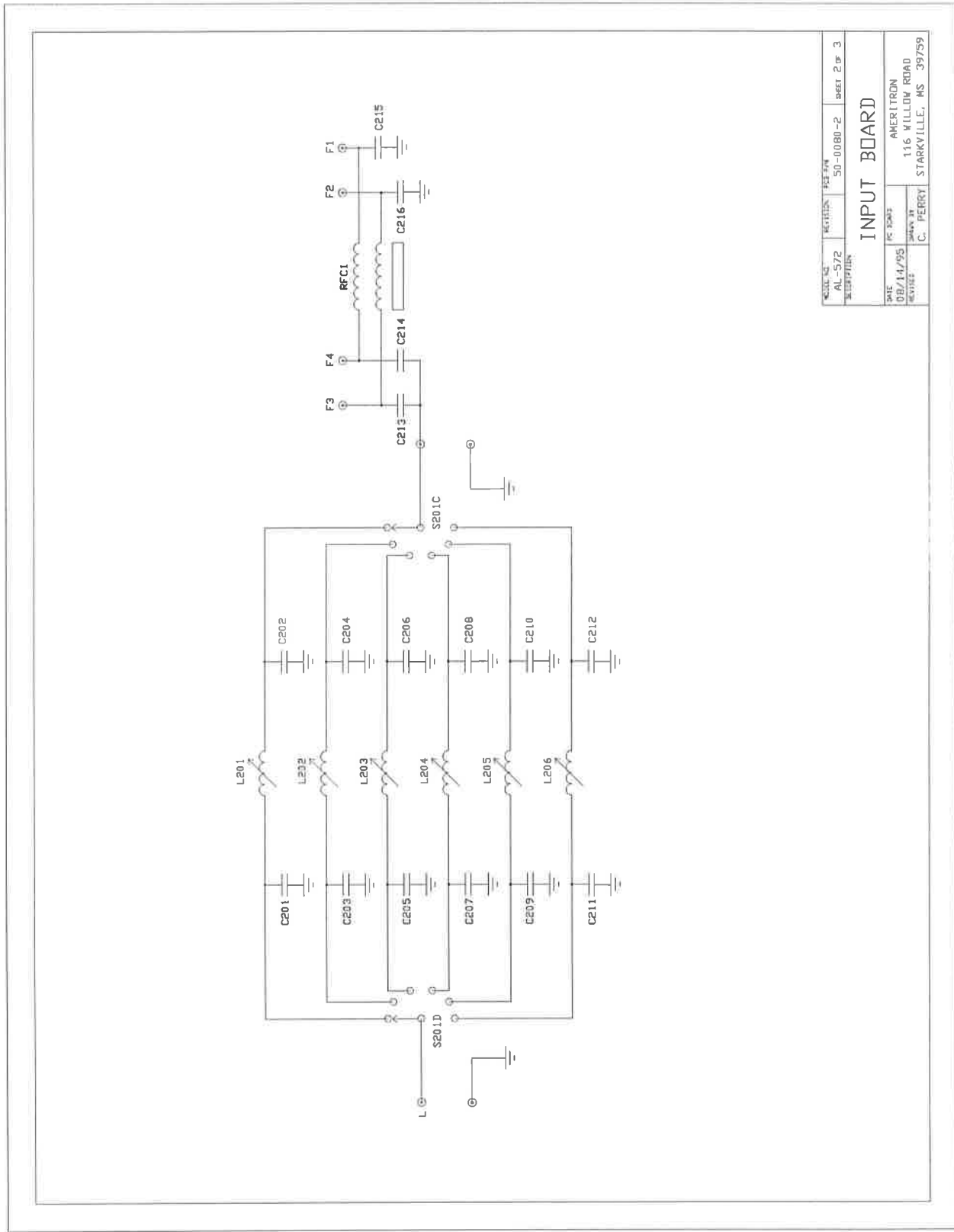
AL-572 MAIN CHASSIS PARTS LIST

Designation	Description	Ameritron P/N
B1	Fan	410-3138
C1-3	.001 uF 7.5 kV	200-7224
C4	500 pF Doorknob 7.5 kV	210-0470
C5, 6	170 pF Doorknob 7.5 kV	209-0559
C7	Air Variable Plate 250 pF 3.5kV	204-2112
C8	Air Variable Load 800 pF 1.2 kV	204-2573-1
C11-13	.01 uF 50 volt dc disc capacitor	200-0416
C14-19	.01 uF 1kV disc capacitor	200-2121
D1	LED, Red	320-0522-1
F1, 2	See Jumper Connections Chart	-----
50-0080-1	Power Supply / SWR Board Assembly	50-0572-1
50-0080-2	Input Circuit Board Assembly	50-0572-2
50-0080-3	Metering Board Assembly	50-0572-3
50-0080-4	RF Tank Board Assembly (only parts L1-L2)	50-0572-4
50-0080-5	Timer-Overload Board Assembly (optional.-See page 30)	50-0572-5
L1	"L " Coil	10-13165
L2	LF Coil (mounted on 50-0572-4)	10-13240
L3	HF Coil (mounted on 50-0572-4)	10-13108
M1	Meter (Forward and Reflected)	400-3581
M2	Meter (grid and plate)	400-3580
R1	1 k pot (ALC limit)	105-1301
R2	100 k pot (ALC SET)	105-1341
R3-4	51 ohm 2 watt carbon composition	
PC1-4	Parasitic choke assembly	10-00572
RFC2	Plate Choke	10-15197
RFC3	2.5 mH Choke	402-1162
S1	Band Switch	500-2135
S2	Lighted Switch	507-1157
S3	Rocker Switch	507-1150
S4	Interlock Switch	504-3247
R16	33 ohm 1/4 watt	100-1330
Q3	Transistor MJF-3055	305-3055
T1	Transformer	406-0572-1
V1-4	572B Tube	350-0572

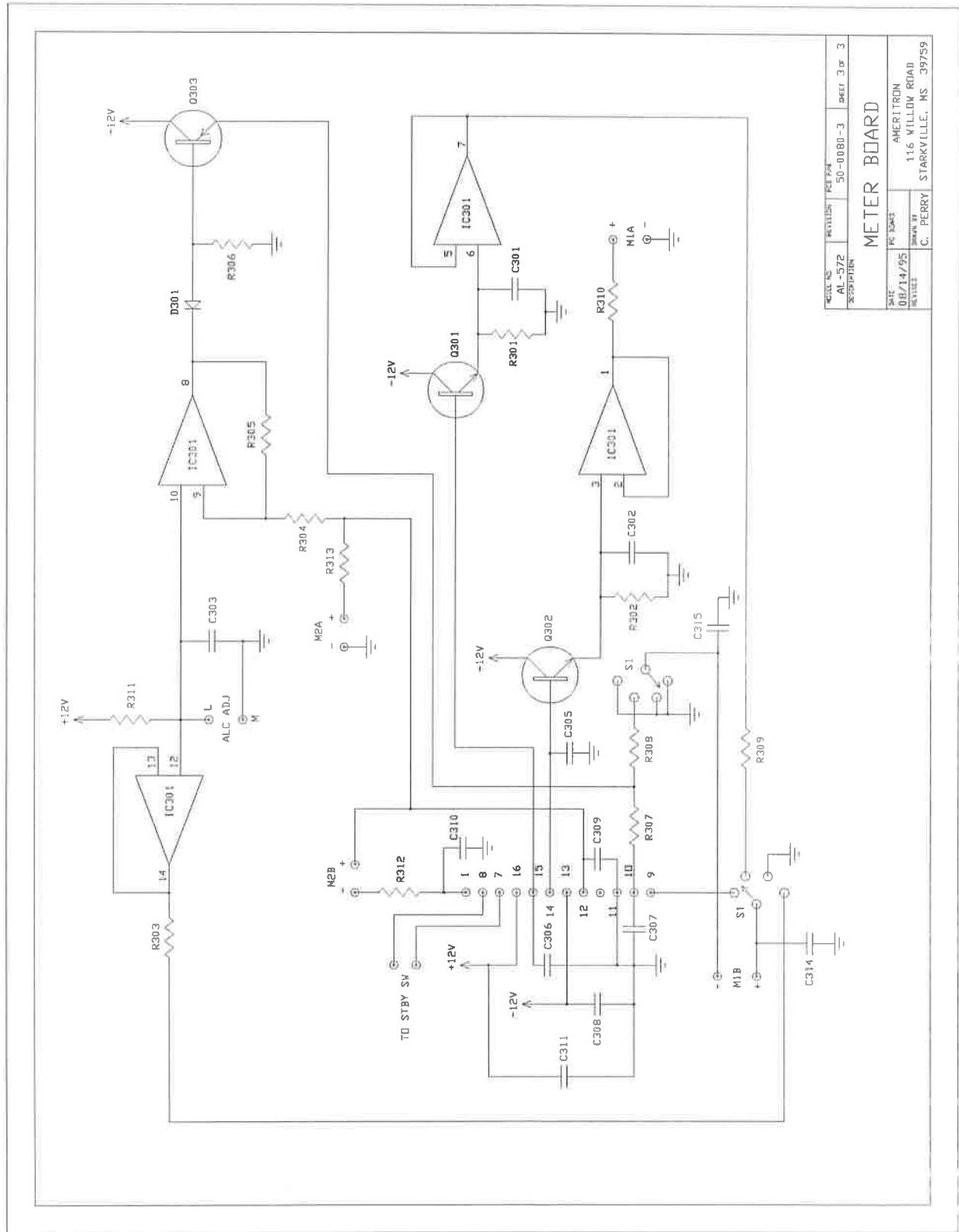
AL-572 WIRING DIAGRAM







MODEL NO.	AL-572	REVISION	REV 7/84	SHEET	2 OF 3
DESCRIPTION	INPUT BOARD				
DATE	08/14/95	PC BOARD	AMERITRON		
DESIGNED BY	C. PERRY	DRAWN BY	116 WILLOW ROAD		
REVISED			STARKVILLE, MS 39759		



Model No.	AL-572	Revision	REV 1/84	Sheet	3 of 3
Part No.	08/14/95	Manufacturer	AMERITRON		
Part No.	116 WILLOW ROAD	Manufacturer	C. PERRY		
Part No.	STARKVILLE, MS 39759				

METER BOARD



**116 Willow Road
Starkville, MS 39759 USA
662-323-8211**

LIMITED WARRANTY

Ameritron warrants to the original purchaser that this product shall be free from defects in material (except tubes and RF output transistors) or workmanship for one year from the date of original purchase.

During the warranty period, Ameritron (or an authorized Ameritron service facility) will provide free of charge both parts (except tubes and RF output transistors) and labor necessary to correct defects in material or workmanship.

To obtain such warranty service, the original purchaser must:

- (1) Complete and send in the Warranty Registration Card.
- (2) Notify Ameritron or its nearest authorized service facility, as soon as possible after discovery of a possible defect, of:
 - (a) the model number and serial number, if any;
 - (b) the identity of the seller and the approximate date of purchase;
 - (c) a detailed description of the problem, including details on the equipment.
- (3) Deliver the product to the Ameritron or the nearest authorized service facility, or ship the same in its original container or equivalent, fully insured and with shipping charges prepaid.

Correct maintenance, repair, and use are important to obtain proper performance from this product. Therefore, carefully read the Instruction Manual. This warranty does not apply to any defect that Ameritron determines is due to:

- (1) Improper maintenance or repair, including the installation of parts or accessories that do not conform to the quality and specifications of the original parts.
- (2) Misuse, abuse, neglect or improper installation.
- (3) Accidental or intentional damage.

All implied warranties, if any, terminate one (1) year from the date of the original purchase.

The foregoing constitutes Ameritron's entire obligation with respect to this product, and the original purchaser and any user or owner shall have no remedy and no claim for incidental or consequential damages. Some states do not allow limitations on how long an implied warranty lasts or do not allow the exclusion or limitation of incidental or consequential damage, so the above limitation and exclusion may not apply to you.

This warranty gives specific legal rights and you may also have other rights which vary from state to state.

PLEASE RECORD THIS INFORMATION	
Model Number	
Serial Number	
Date of Purchase	
Purchased From	
Warranty Card Mailed On	