

AMERITRON ALS-500RC

The Ameritron ALS-500RC is a remote control head for the Ameritron ALS-500M with serial number 13049 and above. The ALS-500RC allows the amplifier to be located away from the operating station and still have access of the amplifier's front panel controls. The ALS-500RC operates the amplifier's power switch and frequency select switch. The ALS-500RC has LEDs to indicate power, transmit and overload. It also has a current meter.

FUNCTIONS

POWER SWITCH

Switches the power on or off when the power switch of the amplifier is in the off position. This switch resets the O/L circuit by switching to off and back to on.

FREQUENCY SELECT SWITCH

Selects the operating frequency

RELAY

This female Phono jack will switch the amplifier into transmit mode when the center is pulled to ground.

METER

The meter indicates how much collector current the amplifier is drawing.

STATUS LIGHTS

PWR

Illuminates when the POWER switch is in the on position.

TX

Illuminates when the relay jack (RLY) is pulled to ground.

O/L

Illuminates when the amplifier load fault circuit is activated.

PORTS A AND B

PORT A

Port A allow functions of the ON/OFF switch, TX and O/L LEDs, and the Current Meter.

PORT B

Port B allows operation of the Frequency Select Switch and the PWR LED.

CONNECTIONS

1. Place the ALS-500RC in a convenient location at your operating station.
2. Plug one of the supply patch cords into port A of the remote head and note which color was used. Route the other end of the same cable to the amplifier and plug into Remote A. Make sure the amplifier's Power Switch is off.
3. Connect the other supply patch cable into port B. Route the other end to the amplifier and plug into Remote B. Make sure the amplifier's Frequency Select Switch is in the Remote position.
4. The ALS-500RC's Relay Jack operates the same as the amplifier's Relay Jack. Use the ALS-500RC's relay jack (RLY) *or* the Amplifier's Relay Jack, whichever makes installation easier. Refer to the Amplifier's Instruction Manual for operation of the relay jack.

OPERATION

The controls on the ALS-500RC serve the same function as the controls on front of the Amplifier. The Amplifier's Power switch must be in the off position and the Frequency Select Switch in the Remote position.

Set the ALS-500RC's Frequency switch to the same frequency as the transceiver.

When the ALS-500RC switch is turned on the meter and power light should illuminate.

When the transceiver is placed into transmit the TX light should illuminate and current meter should deflect.

The O/L light will illuminate when the amplifier reaches a VSWR that is too high or the frequency switch is in the wrong position. Placing the power switch off and back on will reset the O/L light.

DIFFICULTIES

Nothing turns on

Check B connection, check fuse in small red power wire going to amplifier. See amplifier's manual for power connections.

Amplifier keeps going into O/L

Check position of the frequency select switch. Amplifier's switch must be in the Remote position.

O/L will not turn off

Amplifier's power switch must be in the off position.

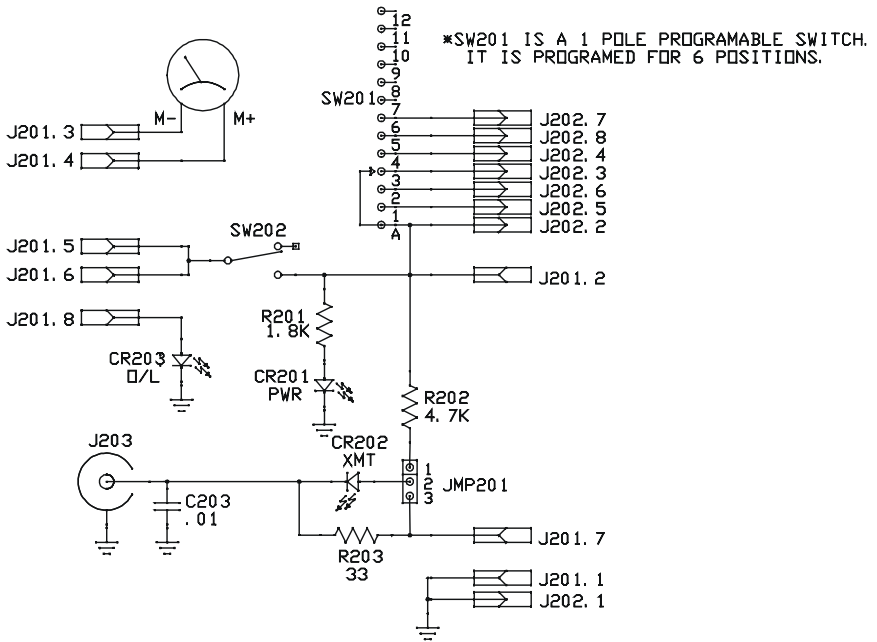
TECHNICAL ASSISTANCE

Technical assistance is available Monday through Friday by calling 662-323-8211 between the hours of 8:00 AM and 4:00 PM central time.

Before calling, please have the following information available:

- The model and serial number
- The date of purchase
- A brief description of the station equipment
- A complete description of the problem along with all meter readings.

SCHEMATIC



ALS-500RC Revision 2