

# ASP-200

The ASP-200 Splitter is design to connect a transceiver to two 50 ohm inputs. The ASP has three SO-239 connectors. One for connecting to the Transmitter (labeled Transmitter). The other two are for connecting to two HF amplifier's input or any 50 ohm loads (labeled Amp In 1 and Amp in 2).

The ASP-200 used with the Ameritron ACB-1000 will allow two amplifiers to be connected in parallel. This will double your power compared to a single amplifier.

The ASP-200 can handle up to 200 PEP or 100 watts continuous.  
Measures: 4"W x 4"D x 2"H

## Installation:

Connect your transceiver to the connector listed TRANSMITTER.

**Note:** When using the Ameritron ACB-1000 with this installation both amplifiers must have the same output power.

Connect ASP's AMP IN 1 to the RF Input of amplifier number 1. Connect the RF Out of the same amplifier to the ACB-1000's AMP OUT 1 Connector.

Connect ASP's AMP IN 2 to the RF input of amplifier number 2. Connect the RF Out of the same amplifier to the ACB-1000's AMP OUT 2 connector.

Connect the relay control line from each amplifier to the transceiver. **Note:** A "Y" cable maybe needed.

# ASP-200

The ASP-200 Splitter is design to connect a transceiver to two 50 ohm inputs. The ASP has three SO-239 connectors. One for connecting to the Transmitter (labeled Transmitter). The other two are for connecting to two HF amplifier's input or any 50 ohm loads (labeled Amp In 1 and Amp in 2).

The ASP-200 used with the Ameritron ACB-1000 will allow two amplifiers to be connected in parallel. This will double your power compared to a single amplifier.

The ASP-200 can handle up to 200 PEP or 100 watts continuous.  
Measures: 4"W x 4"D x 2"H

## Installation:

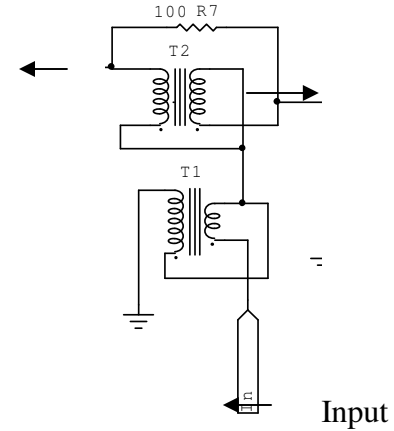
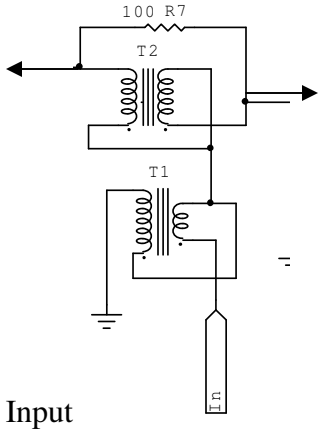
Connect your transceiver to the connector listed TRANSMITTER.

**Note:** When using the Ameritron ACB-1000 with this installation both amplifiers must have the same output power.

Connect ASP's AMP IN 1 to the RF Input of amplifier number 1. Connect the RF Out of the same amplifier to the ACB-1000's AMP OUT 1 Connector.

Connect ASP's AMP IN 2 to the RF input of amplifier number 2. Connect the RF Out of the same amplifier to the ACB-1000's AMP OUT 2 connector.

Connect the relay control line from each amplifier to the transceiver. **Note:** A "Y" cable maybe needed.



## LIMITED WARRANTY

Ameritron warrants to the original purchaser that this product shall be free from defects in material or workmanship for one year from the date of original purchase. During the warranty period, Ameritron will provide free of charge both parts and labor necessary to correct defects in material or workmanship.

To obtain such warranty service, the original purchaser must:  
Deliver the product to the Ameritron or ship the same in its original container or equivalent, fully insured and with shipping charges prepaid.

Correct maintenance, repair, and use are important to obtain proper performance from this product. Therefore, carefully read the Instruction Manual.

**All implied warranties, if any, terminate one (1) year from the date of the original purchase.**

The foregoing constitutes Ameritron's entire obligation with respect to this product, and the original purchaser and any user or owner shall have no remedy and no claim for incidental or consequential damages. Some states do not allow limitations on how long an implied warranty lasts or do not allow the exclusion or limitation of incidental or consequential damage, so the above limitation and exclusion may not apply to you.

This warranty gives specific legal rights and you may also have other rights which vary from state to state

Ameritron 116 Willow, Road Starkville, MS 39759 USA  
662-323-8211 / [www.ameritron.com](http://www.ameritron.com)

## LIMITED WARRANTY

Ameritron warrants to the original purchaser that this product shall be free from defects in material or workmanship for one year from the date of original purchase. During the warranty period, Ameritron will provide free of charge both parts and labor necessary to correct defects in material or workmanship.

To obtain such warranty service, the original purchaser must:  
Deliver the product to the Ameritron or ship the same in its original container or equivalent, fully insured and with shipping charges prepaid.

Correct maintenance, repair, and use are important to obtain proper performance from this product. Therefore, carefully read the Instruction Manual.

**All implied warranties, if any, terminate one (1) year from the date of the original purchase.**

The foregoing constitutes Ameritron's entire obligation with respect to this product, and the original purchaser and any user or owner shall have no remedy and no claim for incidental or consequential damages. Some states do not allow limitations on how long an implied warranty lasts or do not allow the exclusion or limitation of incidental or consequential damage, so the above limitation and exclusion may not apply to you.

This warranty gives specific legal rights and you may also have other rights which vary from state to state

Ameritron 116 Willow, Road Starkville, MS 39759 USA  
662-323-8211 / [www.ameritron.com](http://www.ameritron.com)