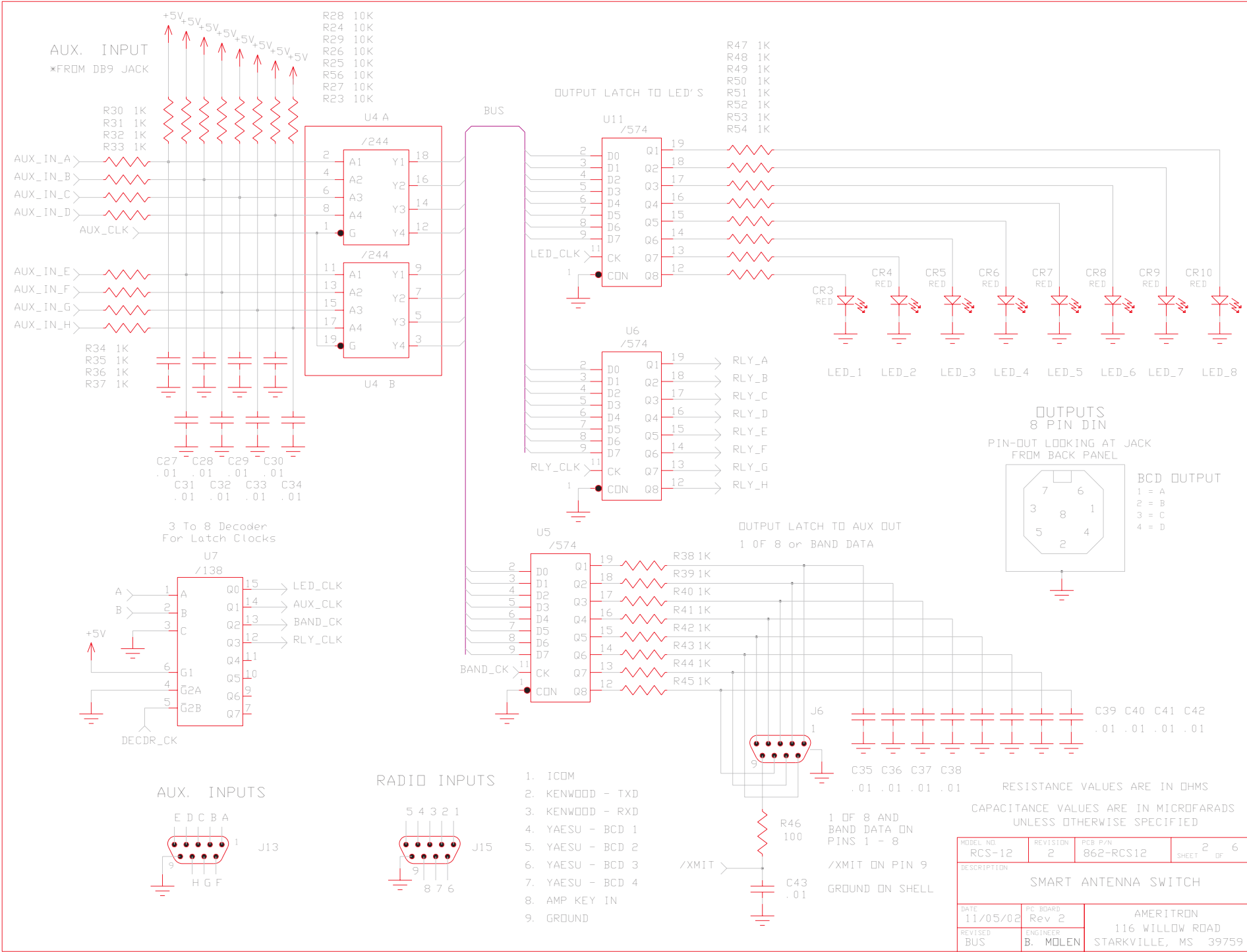


RESISTANCE VALUES ARE IN OHMS
CAPACITANCE VALUES ARE IN MICROFARADS
UNLESS OTHERWISE SPECIFIED

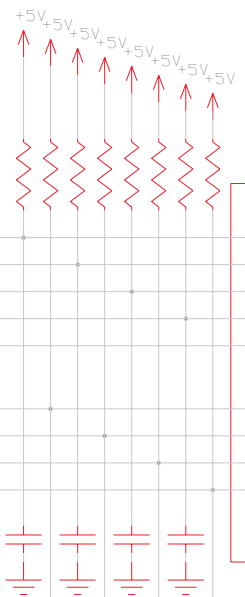
| | | | |
|-------------------------------------|----------------------|------------------------------------------------------|--------------|
| MODEL NO. RCS-12 | REVISION 2 | PCB P/N 862-RCS12 | SHEET 1 OF 6 |
| DESCRIPTION SMART ANTENNA SWITCH | | | |
| DATE 11/05/02 | PC BOARD Rev 2 | AMERITRON 116 WILLOW ROAD STARKVILLE, MS 39759 | |
| REVISED DIGITAL | ENGINEER B. MOLEN | | |



AUX. INPUT
*FROM DB9 JACK

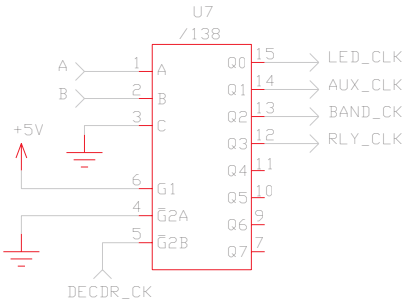
- R28 10K
- R24 10K
- R29 10K
- R26 10K
- R25 10K
- R56 10K
- R27 10K
- R23 10K

- R47 1K
- R48 1K
- R49 1K
- R50 1K
- R51 1K
- R52 1K
- R53 1K
- R54 1K

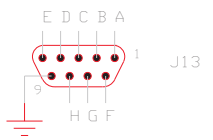


- C27 .01
- C28 .01
- C29 .01
- C30 .01
- C31 .01
- C32 .01
- C33 .01
- C34 .01

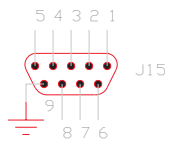
3 To 8 Decoder
For Latch Clocks



AUX. INPUTS

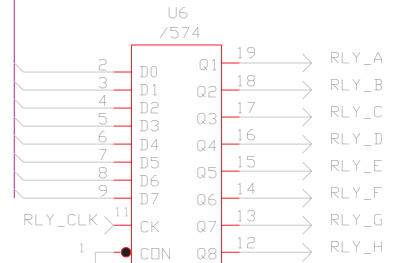
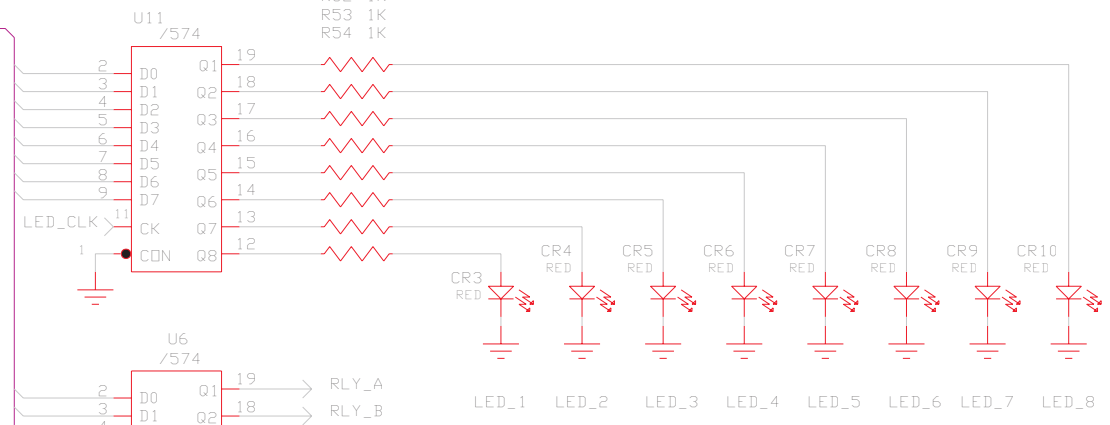


RADIO INPUTS

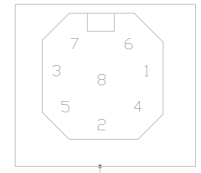


1. ICOM
2. KENWOOD - TXD
3. KENWOOD - RXD
4. YAESU - BCD 1
5. YAESU - BCD 2
6. YAESU - BCD 3
7. YAESU - BCD 4
8. AMP KEY IN
9. GROUND

OUTPUT LATCH TO LED'S

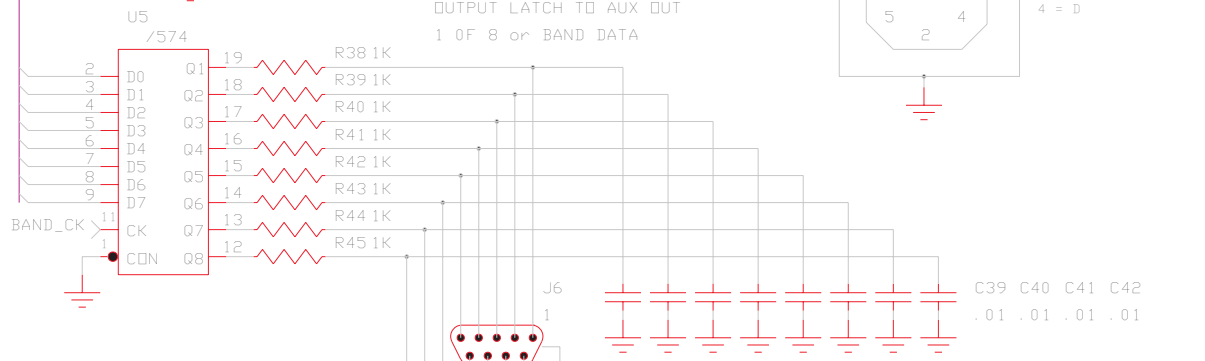


OUTPUTS
8 PIN DIN
PIN-OUT LOOKING AT JACK
FROM BACK PANEL



- BCD OUTPUT
- 1 = A
 - 2 = B
 - 3 = C
 - 4 = D

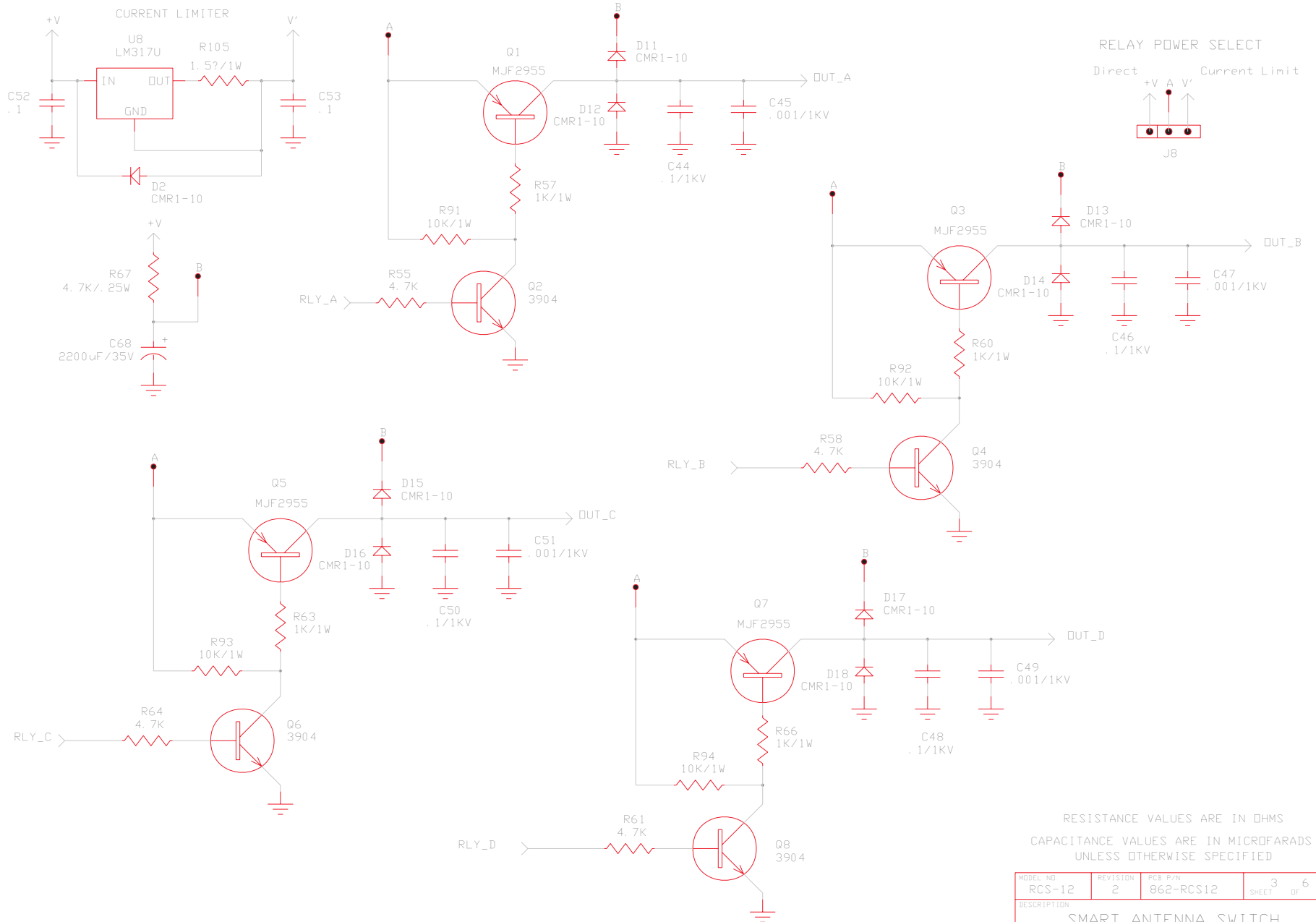
OUTPUT LATCH TO AUX OUT
1 OF 8 or BAND DATA



- C39 .01
- C40 .01
- C41 .01
- C42 .01
- C35 .01
- C36 .01
- C37 .01
- C38 .01

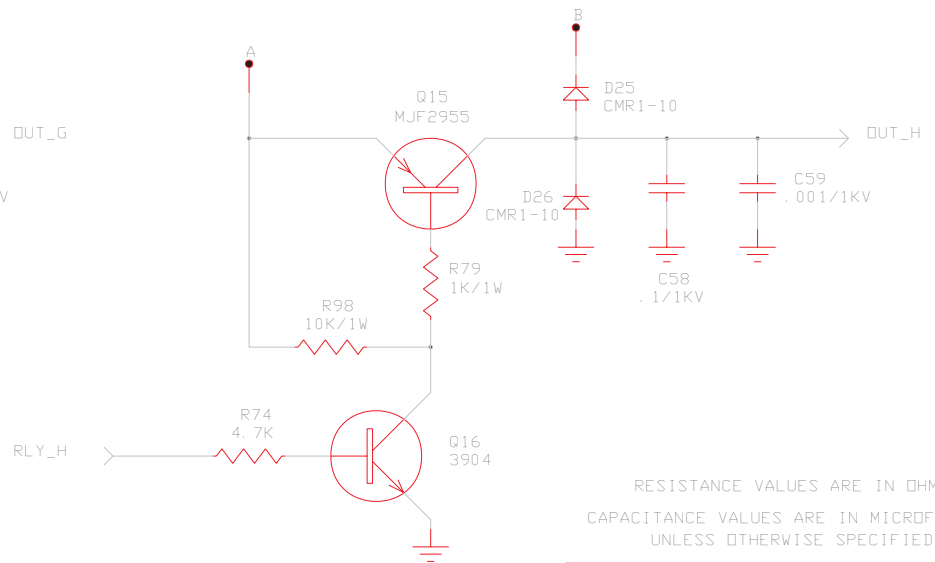
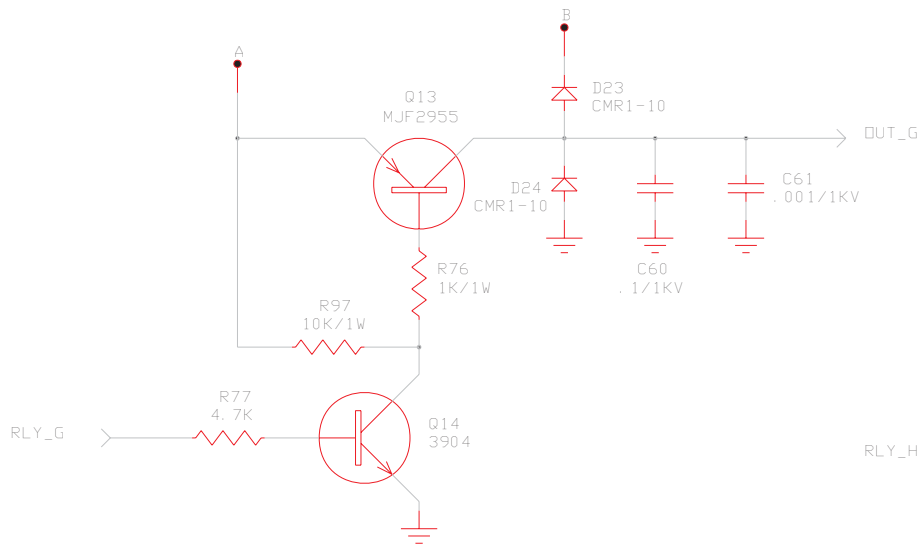
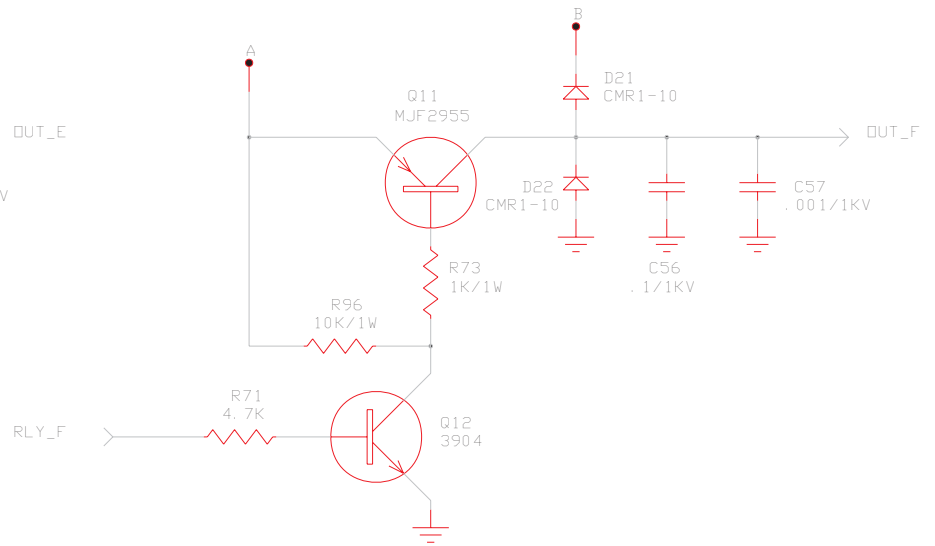
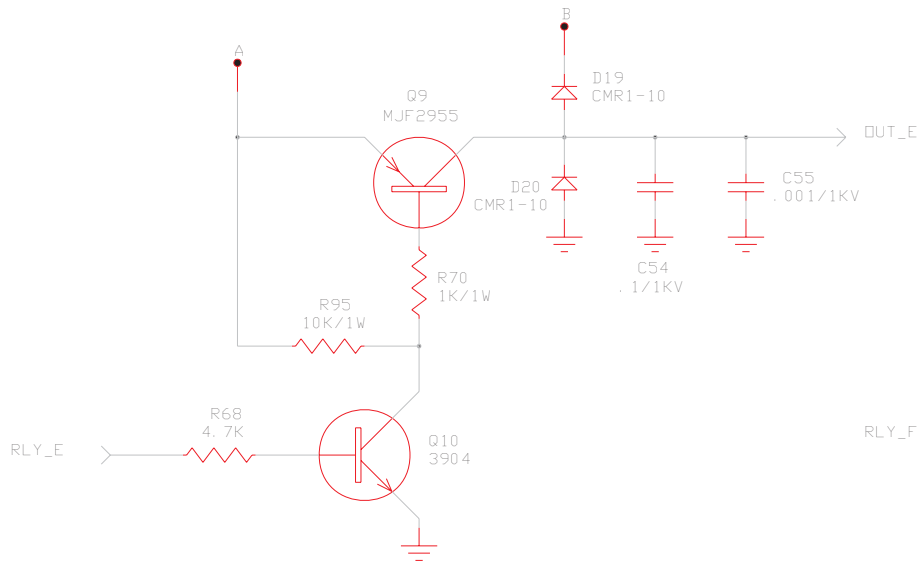
RESISTANCE VALUES ARE IN OHMS
CAPACITANCE VALUES ARE IN MICROFARADS
UNLESS OTHERWISE SPECIFIED

| | | | |
|-------------------------------------|----------------------|------------------------------------------------------|--------------|
| MODEL NO. RCS-12 | REVISION 2 | PCB P/N 862-RCS12 | SHEET 2 OF 6 |
| DESCRIPTION SMART ANTENNA SWITCH | | | |
| DATE 11/05/02 | PC BOARD Rev 2 | AMERITRON 116 WILLOW ROAD STARKVILLE, MS 39759 | |
| REVISED BUS | ENGINEER B. MOLEN | | |



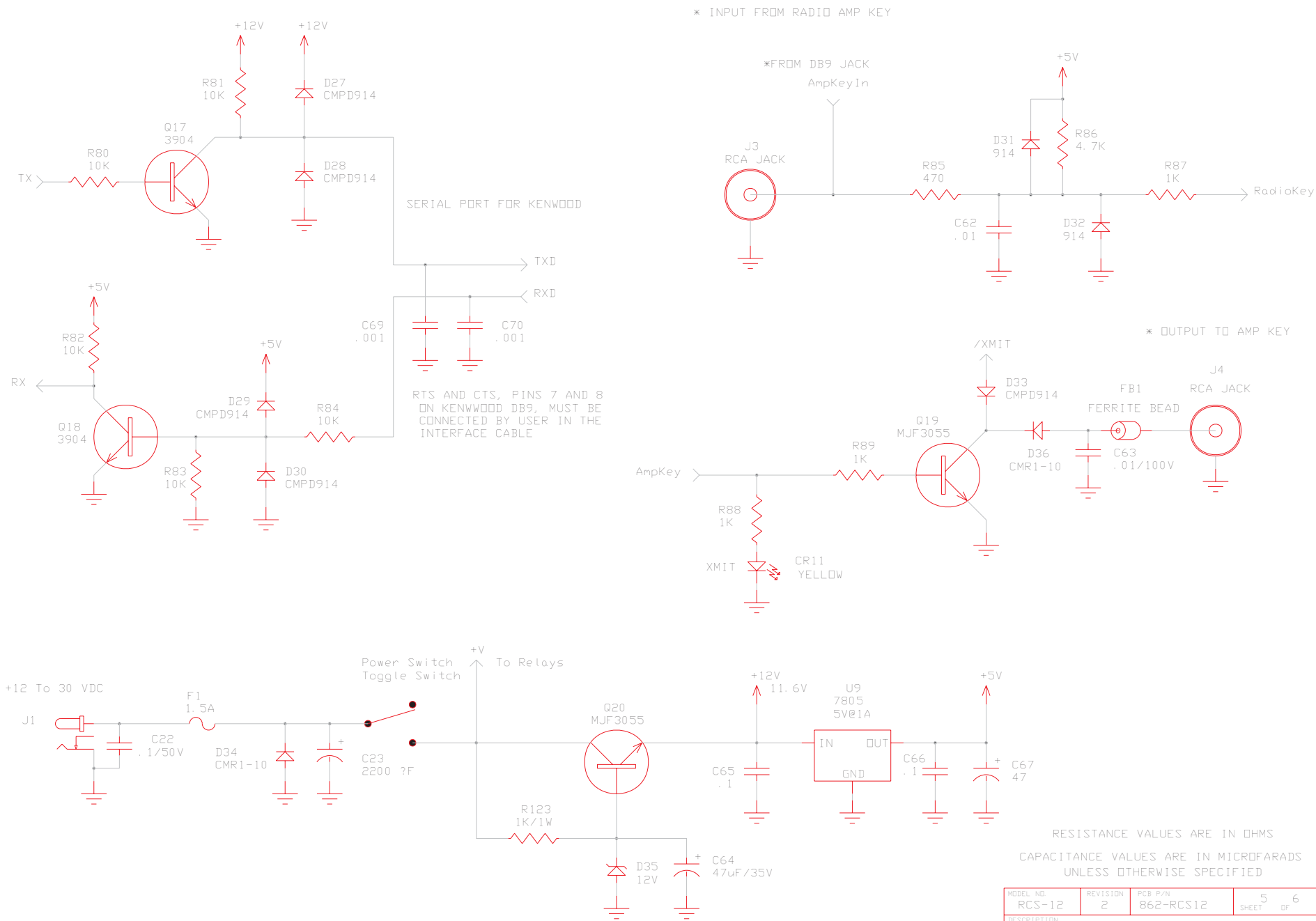
RESISTANCE VALUES ARE IN OHMS
CAPACITANCE VALUES ARE IN MICROFARADS
UNLESS OTHERWISE SPECIFIED

| | | | | |
|-------------------------------------|----------------------|------------------------------------------------------|------------|---------|
| MODEL NO. RCS-12 | REVISION 2 | PCB P/N 862-RCS12 | SHEET 3 | OF 6 |
| DESCRIPTION SMART ANTENNA SWITCH | | | | |
| DATE 10/09/02 | PC BOARD Rev 2 | AMERITRON 116 WILLOW ROAD STARKVILLE, MS 39759 | | |
| REVISED ANT_OUT1 | ENGINEER B. MOLEN | | | |



RESISTANCE VALUES ARE IN OHMS
CAPACITANCE VALUES ARE IN MICROFARADS
UNLESS OTHERWISE SPECIFIED

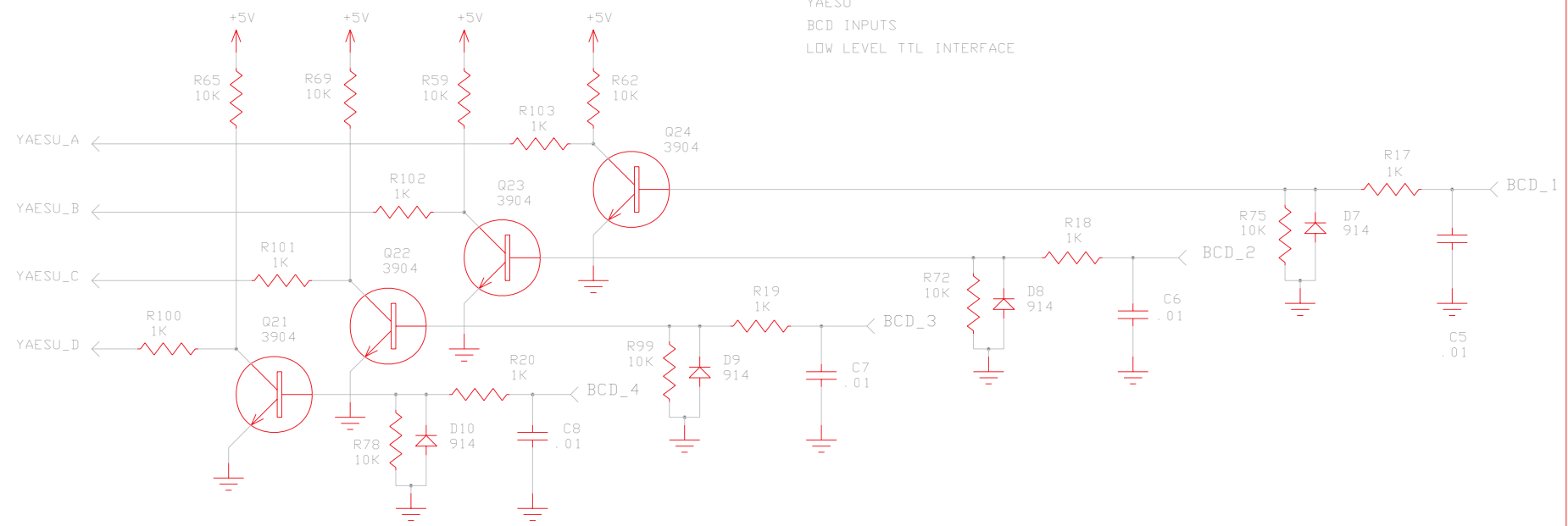
| | | | |
|-------------------------------------|----------------------|------------------------------|--------------|
| MODEL NO RCS-12 | REVISION 2 | PCB P/N | SHEET 4 OF 6 |
| DESCRIPTION SMART ANTENNA SWITCH | | | |
| DATE 10/09/02 | PC BOARD Rev 2 | AMERITRON 116 WILLOW ROAD | |
| REVISED ANT_OUT2 | ENGINEER B. MOLEN | STARKVILLE, MS 39759 | |



RESISTANCE VALUES ARE IN OHMS
CAPACITANCE VALUES ARE IN MICROFARADS
UNLESS OTHERWISE SPECIFIED

| | | | | |
|-------------------------------------|----------------------|------------------------------------------------------|------------|---------|
| MODEL NO. RCS-12 | REVISION 2 | PCB P/N 862-RCS12 | SHEET 5 | OF 6 |
| DESCRIPTION SMART ANTENNA SWITCH | | | | |
| DATE 11/05/02 | PC BOARD Rev 2 | AMERITRON 116 WILLOW ROAD STARKVILLE, MS 39759 | | |
| REVISED SERIAL | ENGINEER B. MOLEN | | | |

YAESU
BCD INPUTS
LOW LEVEL TTL INTERFACE



RESISTANCE VALUES ARE IN OHMS
CAPACITANCE VALUES ARE IN MICROFARADS
UNLESS OTHERWISE SPECIFIED

| | | | | |
|-------------------------------------|----------------------|------------------------------------------------------|------------|---------|
| MODEL NO RCS-12 | REVISION 2 | PCB P/N 862-RCS12 | SHEET 6 | OF 6 |
| DESCRIPTION SMART ANTENNA SWITCH | | | | |
| DATE 10/09/02 | PC BOARD Rev 2 | AMERITRON 116 WILLOW ROAD STARKVILLE, MS 39759 | | |
| REVISED BCD | ENGINEER B. MOLEN | | | |