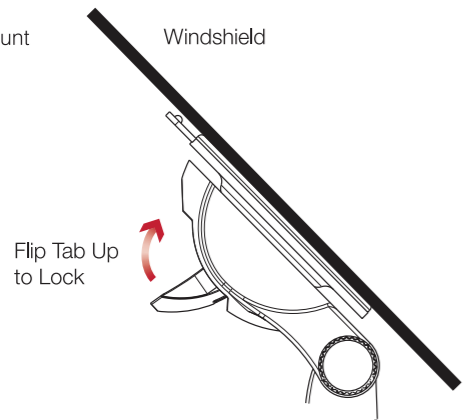
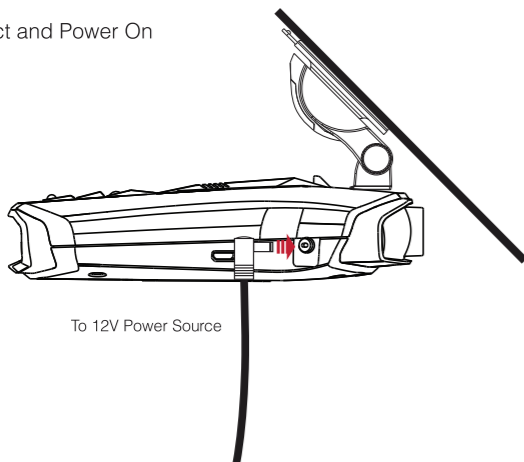


Windshield Mounting *continued*

3 Lock Mount



4 Connect and Power On



Connect the RAD 700i to Your Smartphone via **Bluetooth®**

- 1 Power on the RAD 700i.
- 2 Download and install the Drive Smarter® app on your smartphone.
- 3 After registering your account in the Drive Smarter® app, press the Account button and then select "Add New Device".

NOTE: The first time you run the app, you will be prompted to register a new account.



drivesmarter.com/downloads

Troubleshooting Tips

If your unit is not operating properly, please follow these troubleshooting steps:

- Make sure the power cord is properly connected to your RAD 700i
- Make sure the socket of your vehicle's cigarette lighter or 12V accessory port is clean and free of corrosion
- Make sure the power cord's adapter is firmly seated in the socket of the cigarette lighter or 12V accessory port and the power LED is on

For detailed and up-to-date FAQs, please visit <https://support.cobra.com/support/home>

Cobra®

RAD 700i

CONNECTED RADAR AND LASER DETECTOR



QUICK START GUIDE

Thank you for purchasing the new Cobra® RAD 700i

Download Drive Smarter® to Get Started

With the Drive Smarter® app you can get advance warning of laser and radar alerts from other connected detectors, easily adjust your features, alerts, and settings on any supported device.

Download today!



drivesmarter.com/downloads



Full manual available at: www.cobra.com



FCC ID: BB05T55R. THIS DEVICE COMPLIES WITH PART 15 OF THE FCC RULES. OPERATION IS SUBJECT TO THE FOLLOWING TWO CONDITIONS: (1) THIS DEVICE MAY NOT CAUSE HARMFUL INTERFERENCE, AND (2) THIS DEVICE MUST ACCEPT ANY INTERFERENCE RECEIVED INCLUDING INTERFERENCE THAT MAY CAUSE UNDESIRABLE OPERATION.

NOTE: This equipment has been tested and found to comply with the limits for a Class B digital device, pursuant to part 15 of the FCC Rules. These limits are designed to provide reasonable protection against harmful interference in a residential installation. This equipment generates uses and can radiate radio frequency energy and, if not installed and used in accordance with the instructions, may cause harmful interference to radio communications. However, there is no guarantee that interference will not occur in a particular installation. If this equipment does cause harmful interference to radio or television reception, which can be determined by turning the equipment off and on, the user is encouraged to try to correct the interference by one or more of the following measures:

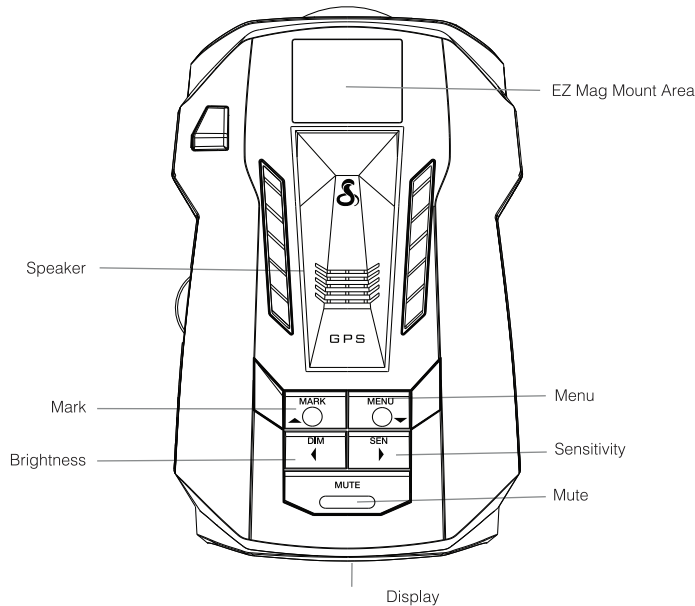
- Reorient or relocate the receiving antenna.
- Increase the separation between the equipment and receiver.
- Connect the equipment into an outlet on a circuit different from that to which the receiver is connected.
- Consult the dealer or an experienced radio/TV technician for help.

FCC NOTE: Modifications not expressly approved by the manufacturer could void the user's FCC granted authority to operate the equipment.

Cobra® and the snake design are registered trademarks of Cobra Electronics Corporation, USA.

Cobra Electronics Corporation™ is a trademark of Cedar Electronics Corporation, USA. Other trademarks and trade names are those of their respective owners.

RAD 700i Features



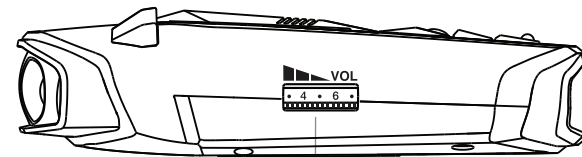
12V Power Cord



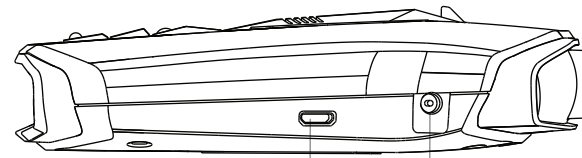
Magnetic Windshield Mount



Quick Start Guide



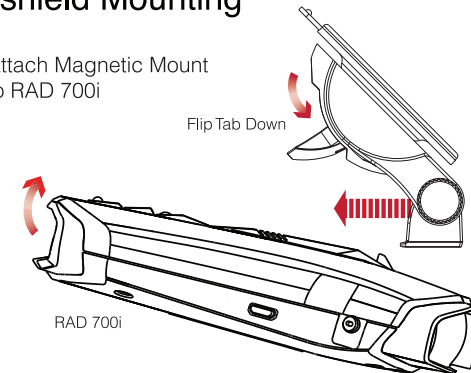
Volume Up/Down/Power



micro USB Port 12V Power Port

Windshield Mounting

- 1 Attach Magnetic Mount to RAD 700i



- 2 Mount

