

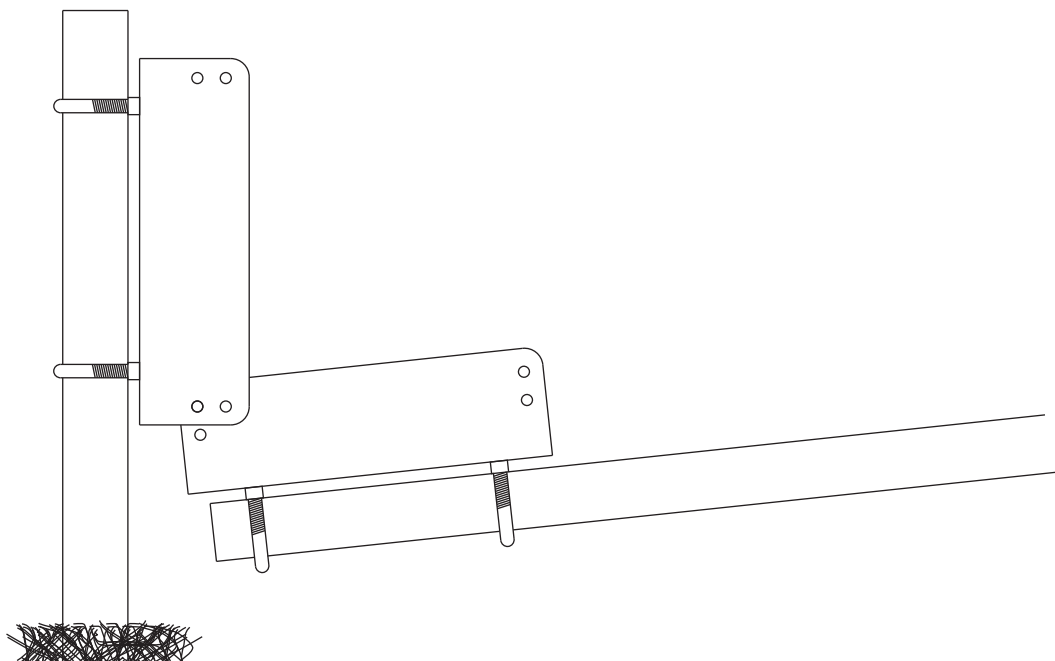
Cushcraft

Amateur Radio Antennas

R-8TB

TILT-MOUNT

INSTRUCTION MANUAL



Cushcraft
Amateur Radio Antennas

308 Industrial Park Road
Starkville, MS 39759 USA
Tel: 662-323-9538 Fax: 662-323-6551

R8-TB Tilt-Mount Instruction Sheet

Introduction: The R8-TB Universal Vertical Tilt Base is designed to let you assemble and adjust your vertical antenna on the ground, then walk it up into its vertical operating position with safety and minimal effort. Made from rugged 1/8-inch aluminum plate, the R8-TB features a pattern of pre-punched mounting holes that accept most common U-bolt sizes for antenna masts up to 2-1/4 inches in diameter. In addition, you can bolt many popular verticals using insulated base brackets directly to the R8TB swing plate without using U-bolts (Hy-Gain AV18VS, AV18AVQII, AV14AVQ, AV12 AVQ, DX-88, etc). The ATB-75 also provides spare bolt holes for connecting a ground rod or a radial system.

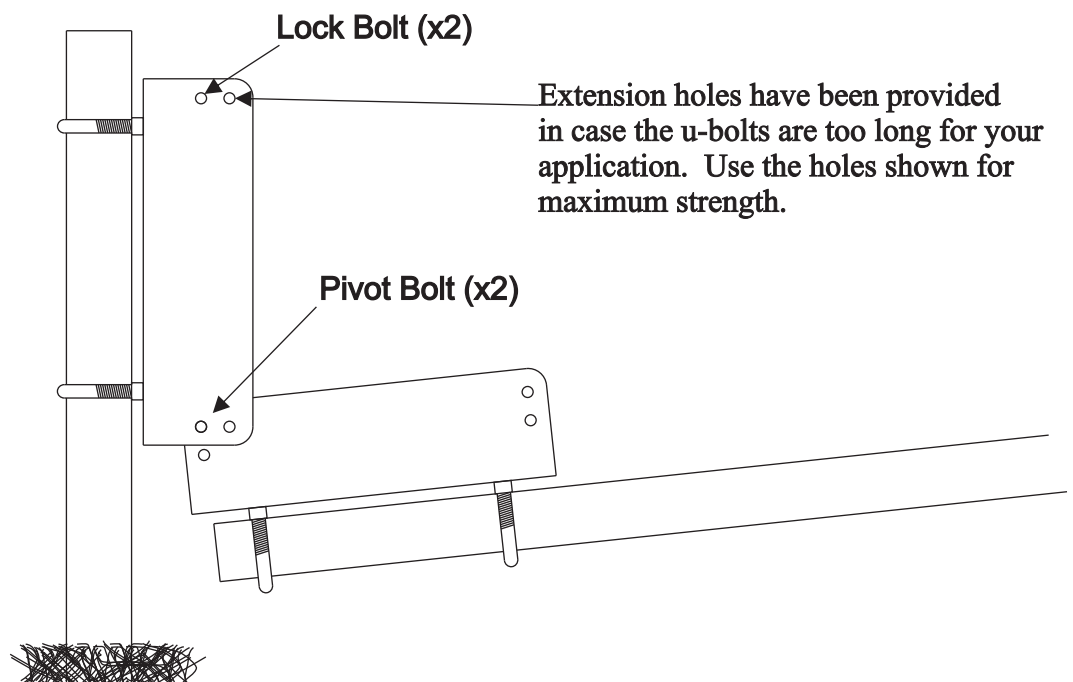
Installation Instructions: Before assembling your R8-TB, please check the parts list on page-2 to confirm that all listed items are included.

[] Find the two 2-1/4" U-bolts and 3/8" hardware. Attach the base bracket (wider of the two mounting plates) securely to your base support.

[] Find two 5/16" bolts and hardware. Attach the tilt bracket (narrower plate) to the base bracket's pivot point, as shown below. Do not over-tighten -- the tilt bracket should remain moveable.

[] Using your antenna's mounting hardware, install the support mast (or insulated bracket) onto the face of the tilt bracket.

[] After the antenna has been raised vertically into position, lock the tilt bracket to the base bracket using the remaining two 5/16" bolts and hardware. Check and re-tighten all hardware to ensure everything is tight.



Base Support: Your base support pipe (not included with the R8-TB kit) should be made from thick-wall steel or aluminum tubing and extend at least 3 to 4 feet below ground. For multi-band verticals, we recommend seating the pipe in a 10-inch diameter posthole filled with ready-mix concrete to ensure stability. Note that antenna base supports should always be located well clear of power lines or neighboring property to avoid exposure to life-threatening injury or liability.

Parts List: Please check the contents of your R8-TB package for the following items:

- | | | |
|--------------------------|---|-------------------------|
| <input type="checkbox"/> | 1 | Base bracket |
| <input type="checkbox"/> | 1 | Tilt bracket |
| <input type="checkbox"/> | 2 | 2-1/4" x 3/8" U-bolts |
| <input type="checkbox"/> | 2 | 2-1/4" Mast Saddles |
| <input type="checkbox"/> | 4 | 3/8" nut |
| <input type="checkbox"/> | 4 | 3/8" flat washer |
| <input type="checkbox"/> | 4 | 3/8" split lock washer |
| <input type="checkbox"/> | 4 | 5/16" x 3/4" bolt |
| <input type="checkbox"/> | 4 | 5/16" nuts |
| <input type="checkbox"/> | 4 | 5/16" flat washer |
| <input type="checkbox"/> | 4 | 5/16" split lock washer |

Cushcraft

Amateur Radio Antennas

LIMITED WARRANTY

Cushcraft Amateur Radio Antennas, 308 Industrial Park Rd., Starkville, MS 39759, warrants to the original consumer purchaser for one year from date of purchase that each Cushcraft antenna is free of defects in materials or workmanship. If, in the judgment of Cushcraft, any such antenna is defective, then Cushcraft Amateur Radio Antennas will, at its option, repair or replace the antenna at its expense within thirty days of the date the antenna is returned (at purchaser's expense) to Cushcraft or one of its authorized representatives. This warranty is in lieu of all other expressed warranties, any implied warranty is limited in duration to one year. Cushcraft Amateur Radio Antennas shall not be liable for any incidental or consequential damages that may result from a defect. Some states do not allow limitations on how long an implied warranty lasts or exclusions or limitations of incidental or consequential damages, so the above limitation and exclusion may not apply to you. This warranty gives you specific legal rights, and you may also have other rights that vary from state to state. This warranty does not extend to any products that have been subject to misuse, neglect, accident or improper installation. Any repairs or alterations outside of the Cushcraft factory will nullify this warranty.