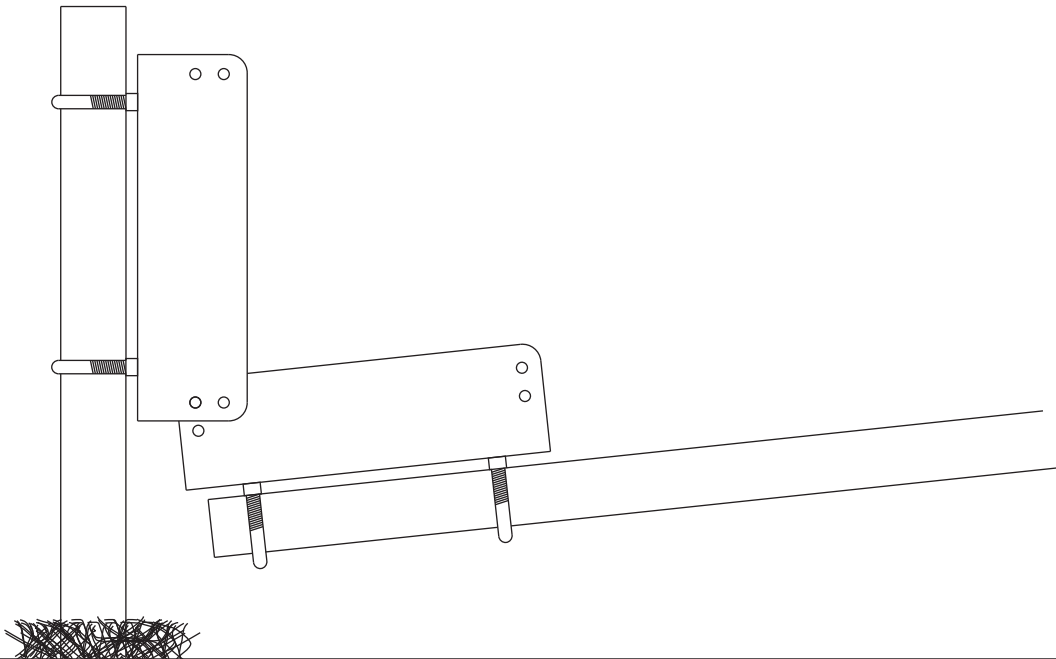


# **hy-gain<sup>®</sup>**

## **MODEL ATB-75**

### **TILT-MOUNT**

### **INSTRUCTION MANUAL**



308 Industrial Park Road  
Starkville, MS 39759 USA  
ph:(662) 323-9538 Fax: (662) 323-6551

Made in USA

# Hy-Gain ATB-75 Tilt-Mount Instruction Sheet

**Introduction:** The ATB-75 Universal Vertical Tilt Base is designed to let you assemble and adjust your vertical antenna on the ground, then walk it up into its vertical operating position with safety and minimal effort. Made from rugged 1/8-inch aluminum plate, the ATB-75 features a pattern of pre-punched mounting holes that accept most common U-bolt sizes for antenna masts up to 2-1/4 inches in diameter. In addition, you can bolt many popular verticals using insulated base brackets directly to the ATB-75 swing plate without using U-bolts (Hy-Gain AV18VS, AV18AVQII, AV14AVQ, AV12 AVQ, DX-88, etc). The ATB-75 also provides spare bolt holes for connecting a ground rod or a radial system.

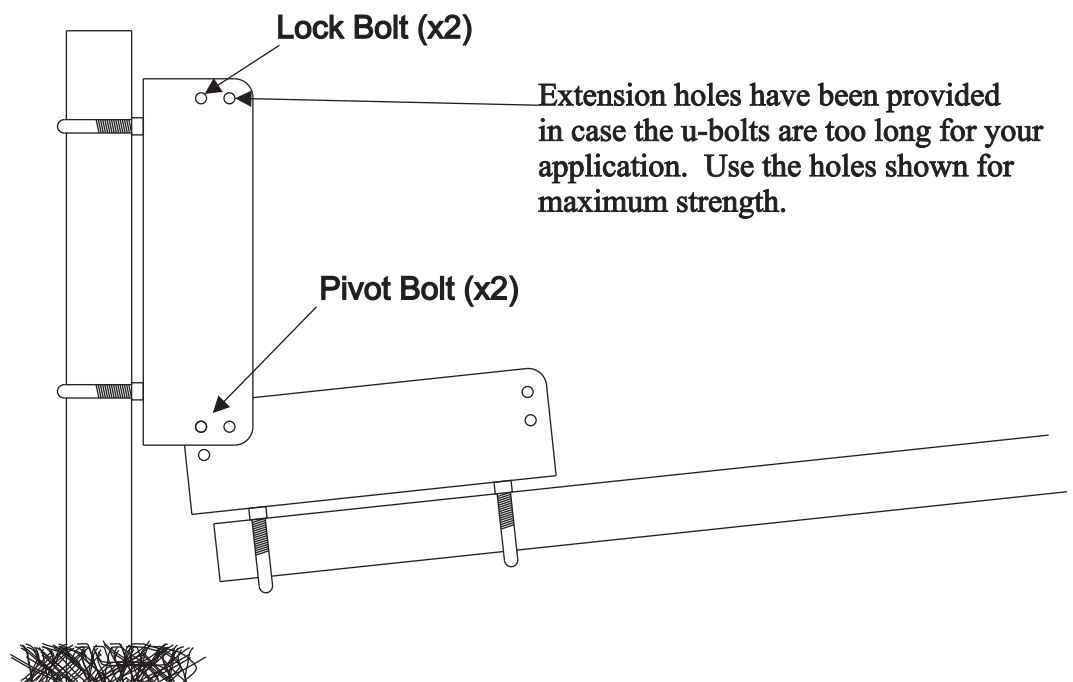
**Installation Instructions:** Before assembling your ATB-75, please check the parts list on page-2 to confirm that all listed items are included.

[ ] Find the two 2-1/4" U-bolts and 3/8" hardware. Attach the base bracket (wider of the two mounting plates) securely to your base support.

[ ] Find two 5/16" bolts and hardware. Attach the tilt bracket (narrower plate) to the base bracket's pivot point, as shown below. Do not over-tighten -- the tilt bracket should remain moveable.

[ ] Using your antenna's mounting hardware, install the support mast (or insulated bracket) onto the face of the tilt bracket.

[ ] After the antenna has been raised vertically into position, lock the tilt bracket to the base bracket using the remaining two 5/16" bolts and hardware. Check and re-tighten all hardware to ensure everything is tight.



Base Support: Your base support pipe (not included with the ATB-75 kit) should be made from thick-wall steel or aluminum tubing and extend at least 3 to 4 feet below ground. For multi-band verticals, we recommend seating the pipe in a 10-inch diameter posthole filled with ready-mix concrete to ensure stability. Note that antenna base supports should always be located well clear of power lines or neighboring property to avoid exposure to life-threatening injury or liability.

Parts List: Please check the contents of your ATB-75 package for the following items:

<input type="checkbox"/>	1	Base bracket
<input type="checkbox"/>	1	Tilt bracket
<input type="checkbox"/>	2	2-1/4" x 3/8" U-bolts
<input type="checkbox"/>	2	2-1/4" Mast Saddles
<input type="checkbox"/>	4	3/8" nut
<input type="checkbox"/>	4	3/8" flat washer
<input type="checkbox"/>	4	3/8" split lock washer
<input type="checkbox"/>	4	5/16" x 3/4" bolt
<input type="checkbox"/>	4	5/16" nuts
<input type="checkbox"/>	4	5/16" flat washer
<input type="checkbox"/>	4	5/16" split lock washer

Missing or Defective Parts: Hy-Gain warrants that all listed items for your ATB-75 tilt-mount kit are included and free from defect. If your bill of materials is missing parts or contains damaged items, contact the factory by phone at (662) 323-9538 to arrange for replacement or write. Our mailing and shipping address is: Hy-Gain, 308 Industrial Park Road, Starkville, MS 39759. Please do not return any items to Hy-Gain unless explicitly authorized to do by Hy-Gain Customer Service.



## LIMITED WARRANTY

Hy-gain Warrants to the original owner of this product, if manufactured by hy-gain and purchased from an authorized dealer or directly from hy-gain to be free from defects in material and workmanship for a period of 12 months for rotator products and 24 months for antenna products from date of purchase provided the following terms of this warranty are satisfied.

The purchaser must retain the dated proof-of-purchase (bill of sale, canceled check, credit card or money order receipt, etc.) describing the product to establish the validity of the warranty claim and submit the original or machine reproduction of such proof-of-purchase to hy-gain at the time of warranty service. hy-gain shall have the discretion to deny warranty without dated proof-of-purchase. Any evidence of alteration, erasure, or forgery shall be cause to void any and all warranty terms immediately.

hy-gain agrees to repair or replace at hy-gain's option without charge to the original owner any defective product under warranty, provided the product is returned postage prepaid to hy-gain.

Under no circumstances is hy-gain liable for consequential damages to person or property by the use of any hy-gain products.

Out-of-warranty Service: hy-gain will repair any out-of-warranty product provided the unit is shipped prepaid. All repaired units will be shipped COD to the owner. Repair charges will be added to the COD fee unless other arrangements are made.

This warranty is given in lieu of any other warranty expressed or implied.

hy-gain reserves the right to make changes or improvements in design or manufacture without incurring any obligation to install such changes upon any of the products previously manufactured.

All hy-gain products to be serviced in-warranty or out-of-warranty should be addressed to hy-gain, 308 Industrial Park Road, Starkville, Mississippi 39759, USA and must be accompanied by a letter describing the problem in detail along with a copy of your dated proof-of-purchase.

This warranty gives you specific rights, and you may also have other rights which vary from state to state.