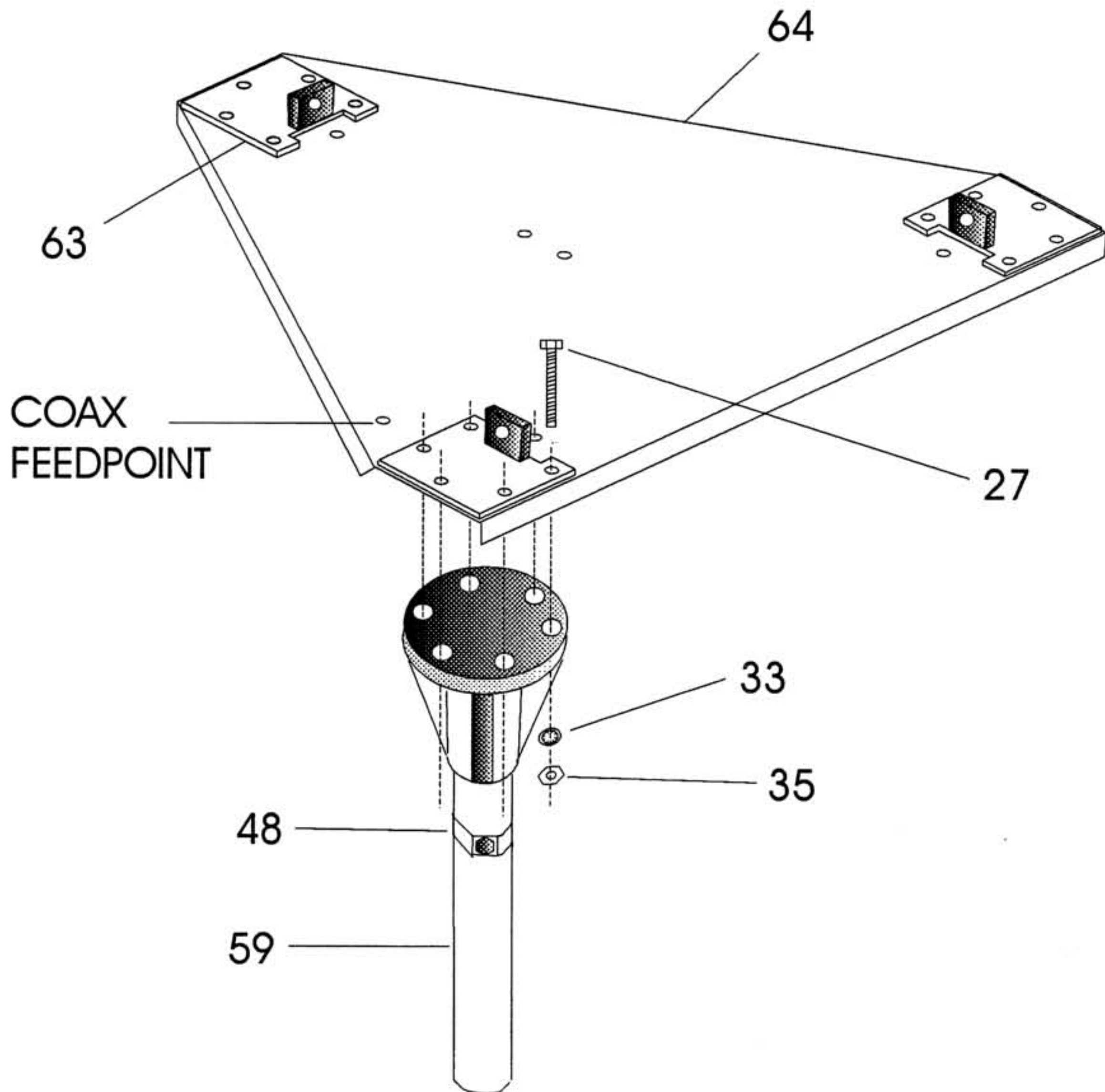
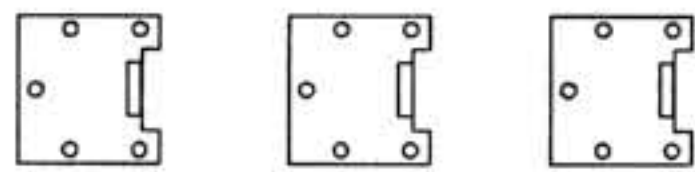
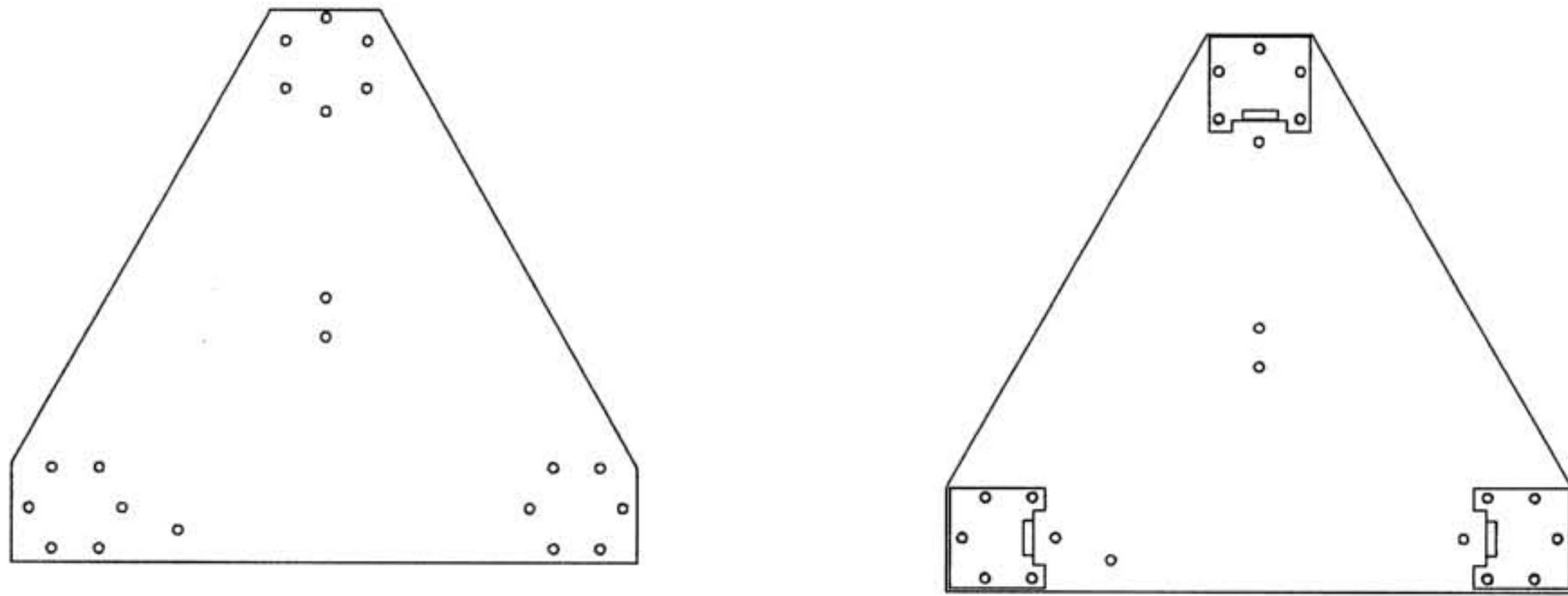
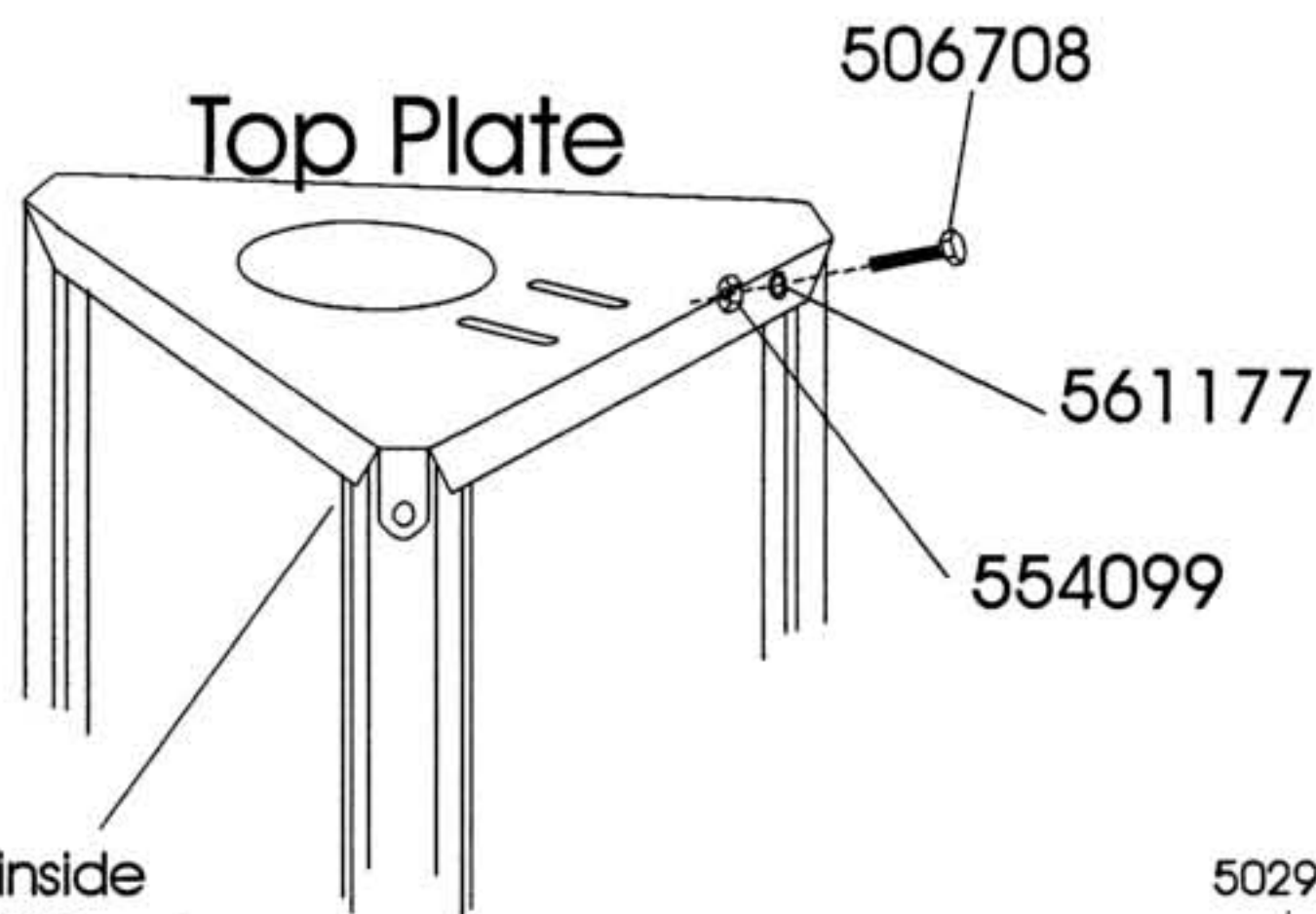
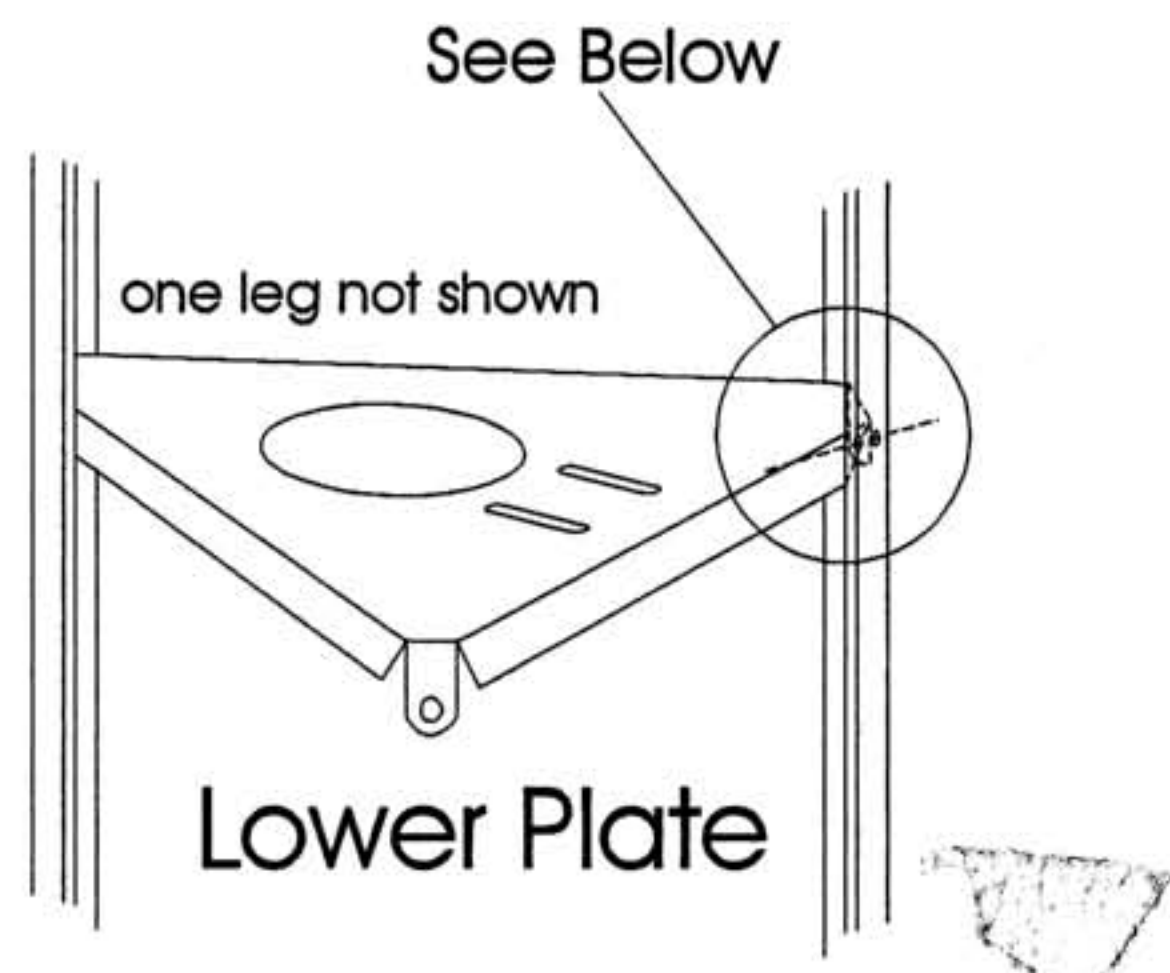


The Hy-tower base assembly has been changed.
Substitute this drawing for figure 2 on page 3.



The tower plates inside the Hy-tower have been improved. The new plates are made from stainless steel. Install the lower plate as shown in the diagram. One X has been left out of the top section to allow for easy installment of the lower (larger) triangle. Install two spacers between the triangle tab and the tower leg.

The upper plate should be installed with the triangle tabs on the outside of the tower legs. Use the 1/4-20x 1/2 bolts for the upper (small) triangle. Make sure that both of the triangles are oriented the same way.



Part #	Description	Qty
502958	1/4-20 X 1 bolt	3
7153159	Spacer	6
561177	split washer	6
554099	1/4-20 nut	6
506708	1/4-20 X 1/2 bolt	3

tower legs fit inside tab and lip of triangle

