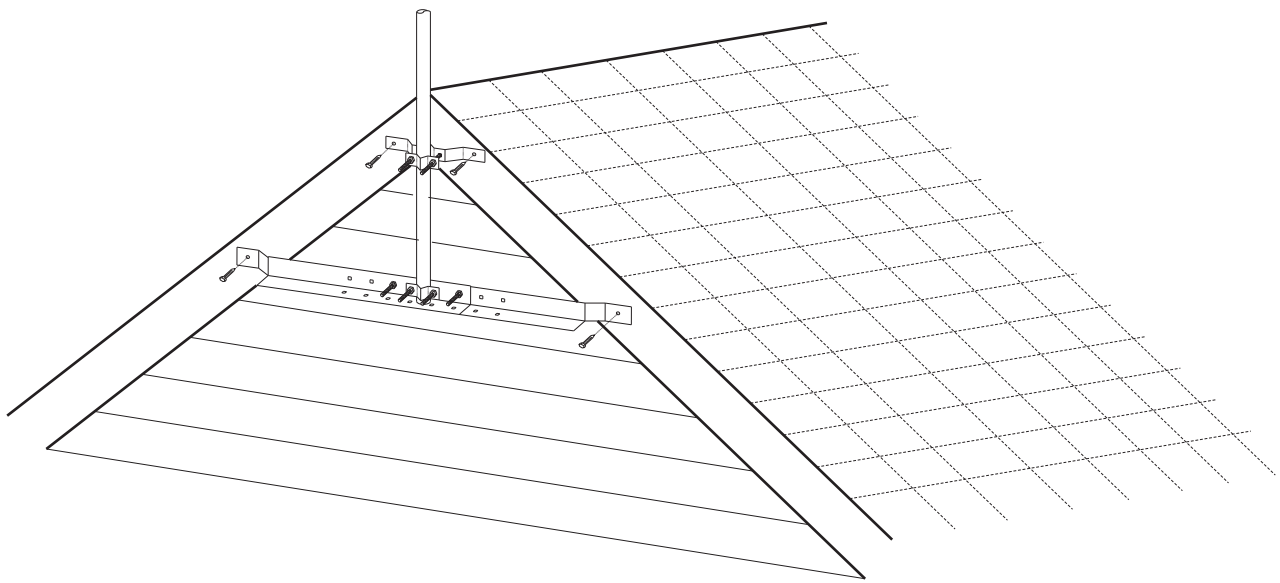


hy-gain®

EVE-48

EVE Mount Bracket

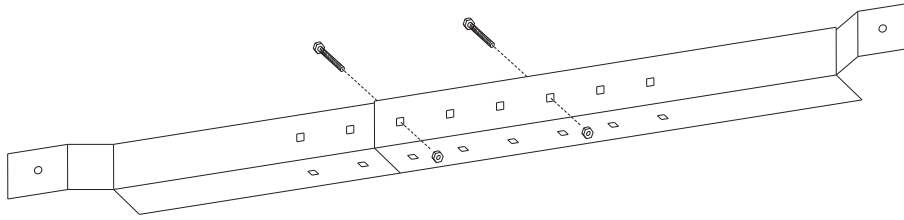
INSTRUCTION MANUAL



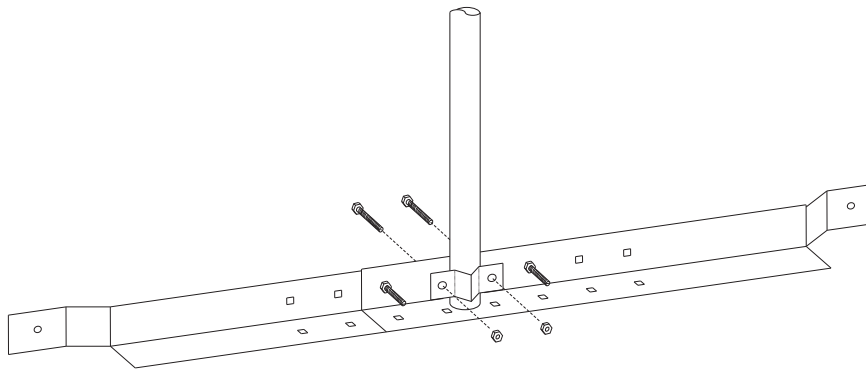
CAUTION: Read All Instructions Before Operating Equipment

hy-gain®

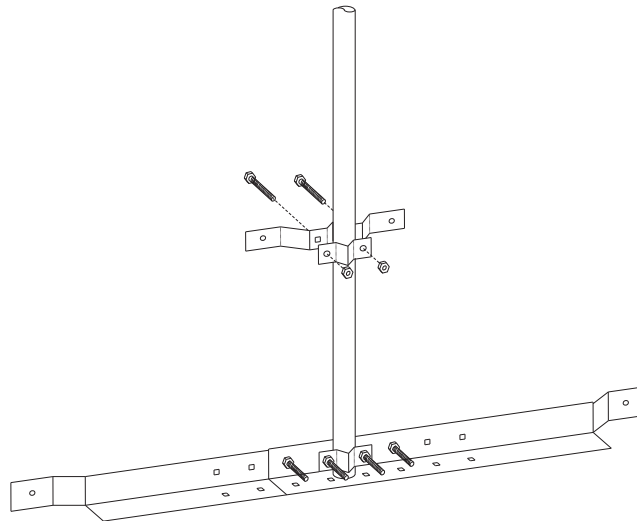
308 Industrial Park Road
Starkville, MS 39759 USA
Tel: 662-323-9538 Fax: 662-323-6551



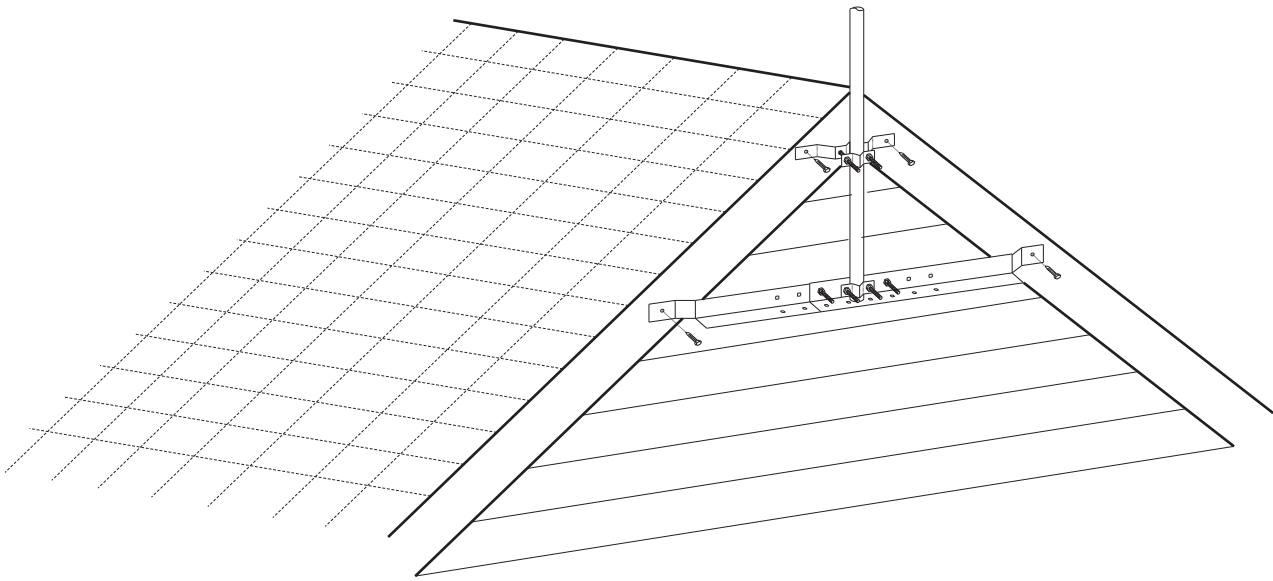
Align the two large parts as shown. Leave 2 holes in the middle for the pipe clamp. If the bracket needs to be shorter then slide the brackets inward and align the holes until you get the length you need. If the holes in the brackets don't appear to line up, switch the top bracket to the bottom. They only line up one way.



Install the mounting pipe (not supplied) into one of the V bracket as shown.



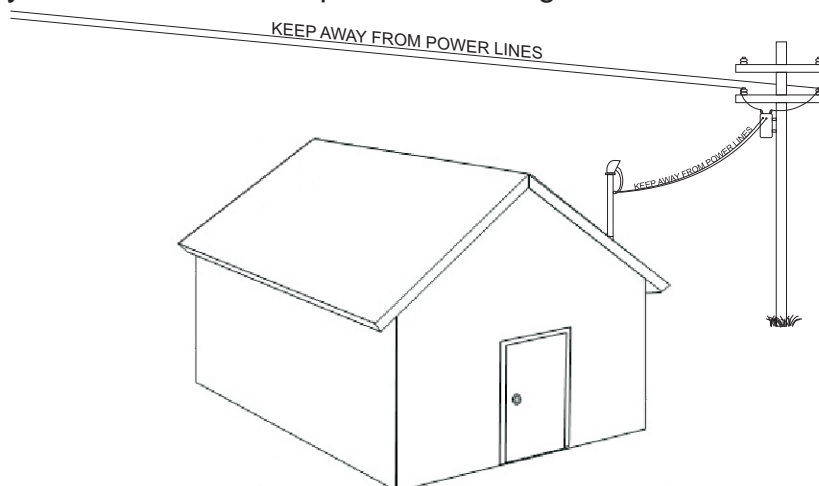
Loosly fit the upper bracket to the pipe. You may have to move it during installation.



The bracket may be installed from the roof top or from a ladder. Take precautions when installing the bracket as a fall from this height will cause serious injury or death. Center the bracket as shown on the eave of the roof top. Install the top bracket first using the lag screw supplied. Make sure the bottom bracket is where it needs to be before securing the bolts. A small pilot hole in the eave where the bolts go will allow for easy installation if desired. Install the bottom bracket making sure that the pipe is vertical before securing the bolts.

WARNING

Do not install any mast or antenna close to power lines. Do not install the mast in any location that it could contact power lines if it were to fall. Use caution when working with tall masts as they may become unstable and hard to control. It is best to always have a friend to help when installing antennas or antenna masts.



hy-gain[®]

LIMITED WARRANTY

hy-gain. Warrants to the original owner of this product, if manufactured by hy-gain and purchased from an authorized dealer or directly from hy-gain to be free from defects in material and workmanship for a period of 12 months for rotator products and 24 months for antenna products from date of purchase provided the following terms of this warranty are satisfied.

The purchaser must retain the dated proof-of-purchase (bill of sale, canceled check, credit card or money order receipt, etc.) describing the product to establish the validity of the warranty claim and submit the original or machine reproduction of such proof-of-purchase to hy-gain at the time of warranty service. hy-gain shall have the discretion to deny warranty without dated proof-of-purchase. Any evidence of alteration, erasure, or forgery shall be cause to void any and all warranty terms immediately.

hy-gain agrees to repair or replace at hy-gain's option without charge to the original owner any defective product under warranty, provided the product is returned postage prepaid to hy-gain.

Under no circumstances is hy-gain liable for consequential damages to person or property by the use of any hy-gain products.

Out-of-warranty Service: hy-gain will repair any out-of-warranty product provided the unit is shipped prepaid. All repaired units will be shipped COD to the owner. Repair charges will be added to the COD fee unless other arrangements are made.

This warranty is given in lieu of any other warranty expressed or implied.

hy-gain reserves the right to make changes or improvements in design or manufacture without incurring any obligation to install such changes upon any of the products previously manufactured.

All hy-gain products to be serviced in-warranty or out-of-warranty should be addressed to hy-gain, 308 Industrial Park Road, Starkville, Mississippi 39759, USA and must be accompanied by a letter describing the problem in detail along with a copy of your dated proof-of-purchase.

This warranty gives you specific rights, and you may also have other rights which vary from state to state.