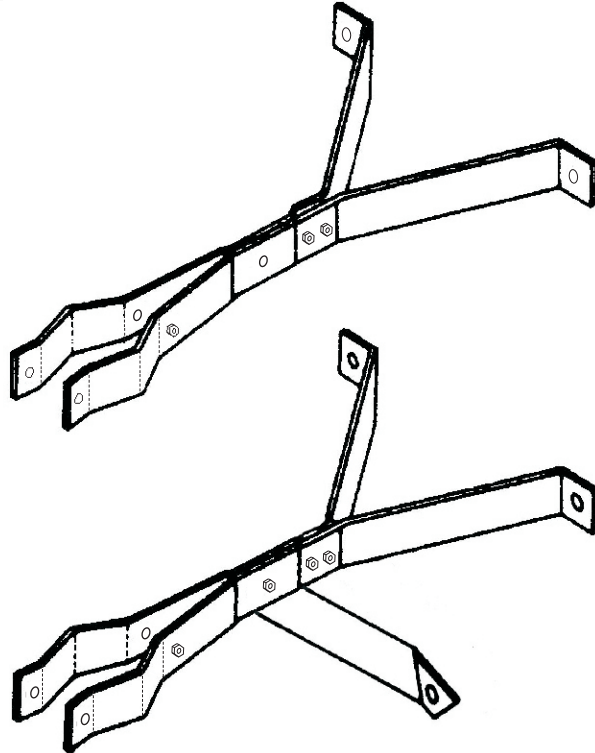


hy-gain®

WMD-12

Wall Mount Bracket

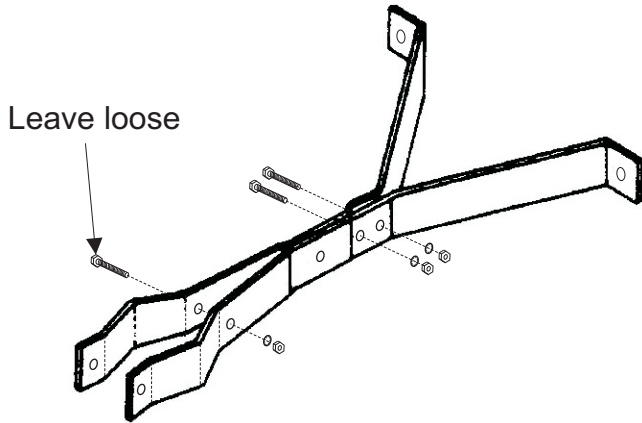
INSTRUCTION MANUAL



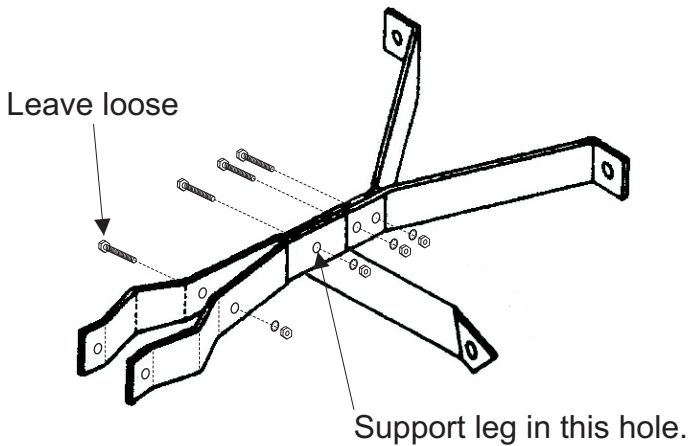
CAUTION: Read All Instructions Before Operating Equipment

hy-gain.

308 Industrial Park Road
Starkville, MS 39759 USA
Tel: 662-323-9538 Fax: 662-323-6551



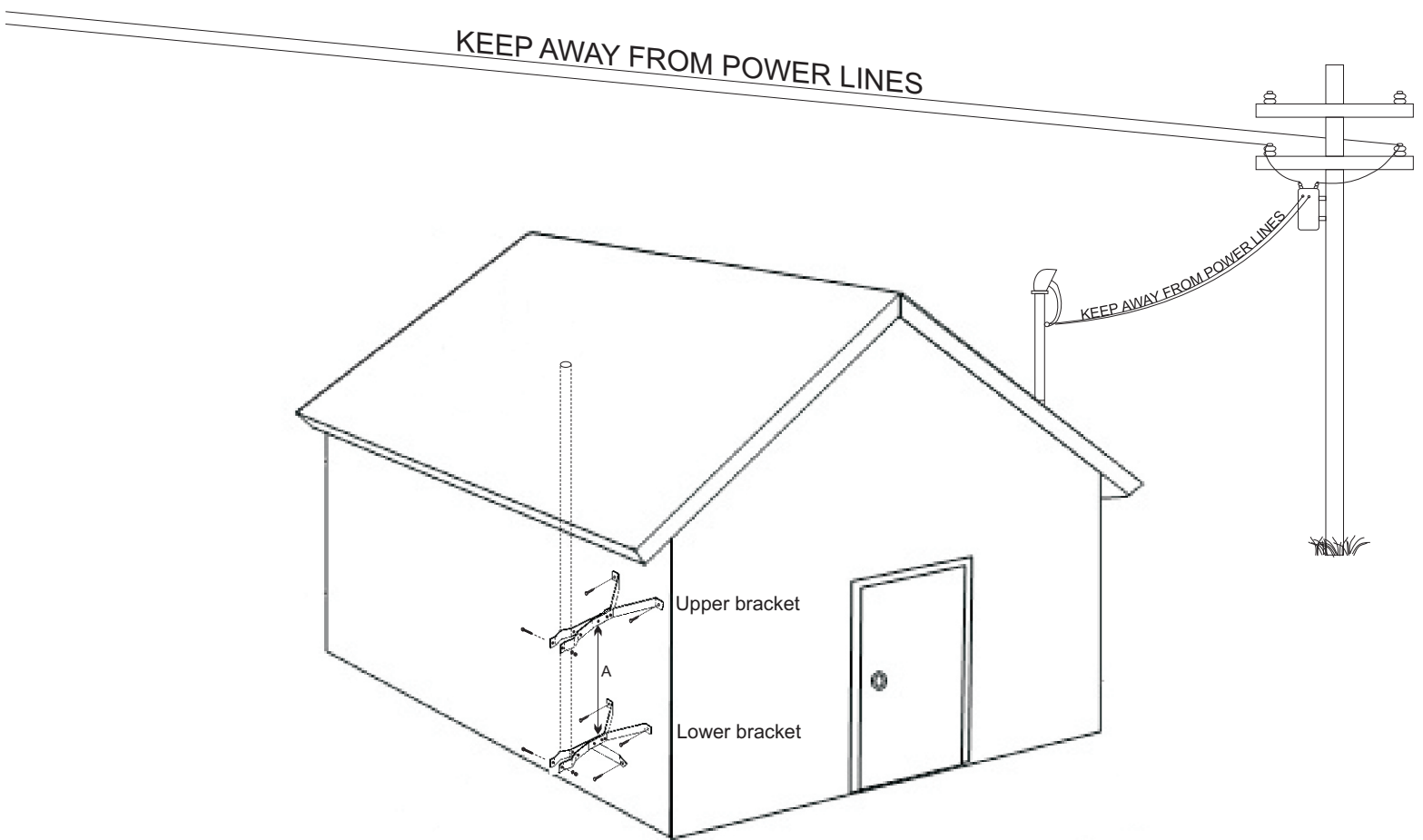
Assemble the top bracket as shown using two of the four arms, the supplied bolts, nut, and lock washers. Tighten the two closest bolts but leave the one closest to the V loose.



Assemble the bottom bracket the same way as the top with the addition of the support leg as shown. Place it between the brackets and secure it.

WARNING

Do not install any mast or antenna close to power lines. Do not install the mast in any location that it could contact power lines if it were to fall. Use caution when working with tall mast as they may become unstable and hard to control. It is best to always have a friend to help when installing antennas or antenna masts.



Choose a mounting location. The one shown is only one possibility. The highest point on the structure would offer the greatest final height of the antenna but access to the mounting location should also be considered. The mast may extend all the way to the ground if desired. This would add to the stability of the system and make grounding easier.

Attach the upper bracket (2 legs) to the wall using the lag bolts supplied. Marking the location where the bolts will go and drilling a small pilot hole there will make it easier to install them. Place the upper bracket at the highest point possible.

Attach the lower bracket (3 legs) to the wall using the lag bolts. Place the bracket below the upper bracket as shown. Increasing the distance "A" will increase the strength of the mount. Ensure that the lower bracket is directly below the upper. The pole will lean to one side if the brackets are not aligned.

Place the mast into the "V"s at the smaller end of the brackets. Insert the bolts through the bracket holes on each side of the mast and thread nuts on each bolt. Tighten the nuts until the mast is firmly held in place.

If the mast extends more than 12 feet above the top bracket, it is recommended that guy wires be used to secure it in place.

hy-gain[®]

LIMITED WARRANTY

hy-gain. Warrants to the original owner of this product, if manufactured by hy-gain and purchased from an authorized dealer or directly from hy-gain to be free from defects in material and workmanship for a period of 12 months for rotator products and 24 months for antenna products from date of purchase provided the following terms of this warranty are satisfied.

The purchaser must retain the dated proof-of-purchase (bill of sale, canceled check, credit card or money order receipt, etc.) describing the product to establish the validity of the warranty claim and submit the original or machine reproduction of such proof-of-purchase to hy-gain at the time of warranty service. hy-gain shall have the discretion to deny warranty without dated proof-of-purchase. Any evidence of alteration, erasure, or forgery shall be cause to void any and all warranty terms immediately.

hy-gain agrees to repair or replace at hy-gain's option without charge to the original owner any defective product under warranty, provided the product is returned postage prepaid to hy-gain.

Under no circumstances is hy-gain liable for consequential damages to person or property by the use of any hy-gain products.

Out-of-warranty Service: hy-gain will repair any out-of-warranty product provided the unit is shipped prepaid. All repaired units will be shipped COD to the owner. Repair charges will be added to the COD fee unless other arrangements are made.

This warranty is given in lieu of any other warranty expressed or implied.

hy-gain reserves the right to make changes or improvements in design or manufacture without incurring any obligation to install such changes upon any of the products previously manufactured.

All hy-gain products to be serviced in-warranty or out-of-warranty should be addressed to hy-gain, 308 Industrial Park Road, Starkville, Mississippi 39759, USA and must be accompanied by a letter describing the problem in detail along with a copy of your dated proof-of-purchase.

This warranty gives you specific rights, and you may also have other rights which vary from state to state.