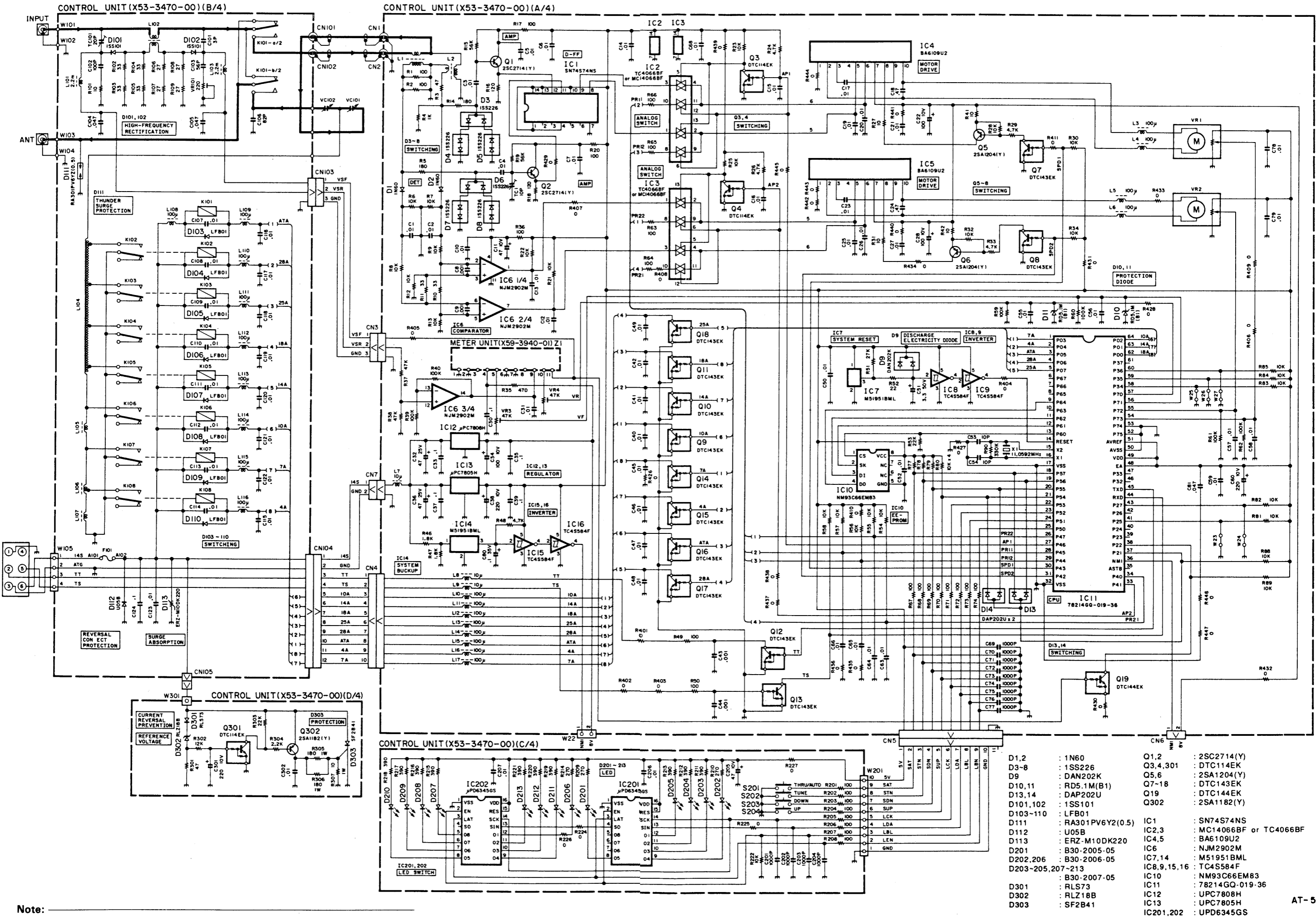


AT-50 SCHEMATIC DIAGRAM



Note:

Circuit is subject to change without notice due to advancements in technology.

- | | | | |
|------------------|-------------------|-------------|-------------------------|
| D1,2 | : 1N60 | Q1,2 | : 2SC2714(Y) |
| D3-8 | : 1SS226 | Q3,4,301 | : DTC114EK |
| D9 | : DAN202K | Q5,6 | : 2SA1204(Y) |
| D10,11 | : RD5.1M(B1) | Q7-18 | : DTC143EK |
| D13,14 | : DAP202U | Q19 | : DTC144EK |
| D101,102 | : 1SS101 | Q302 | : 2SA1182(Y) |
| D103-110 | : LFB01 | | |
| D111 | : RA301PV6Y2(0.5) | IC1 | : SN74S74NS |
| D112 | : U05B | IC2,3 | : MC14066BF or TC4066BF |
| D113 | : ERZ-M10DK220 | IC4,5 | : BA6109U2 |
| D201 | : B30-2005-05 | IC6 | : NJM2902M |
| D202,206 | : B30-2006-05 | IC7,14 | : M51951BML |
| D203-205,207-213 | : B30-2007-05 | IC8,9,15,16 | : TC45584F |
| D301 | : RLS73 | IC10 | : NM93C66EM83 |
| D302 | : RLZ18B | IC11 | : 78214GQ-019-36 |
| D303 | : SF2B41 | IC12 | : UPC7808H |
| | | IC13 | : UPC7805H |
| | | IC201,202 | : UPD6345GS |