

CLIP MICROPHONE WITH EARPHONE

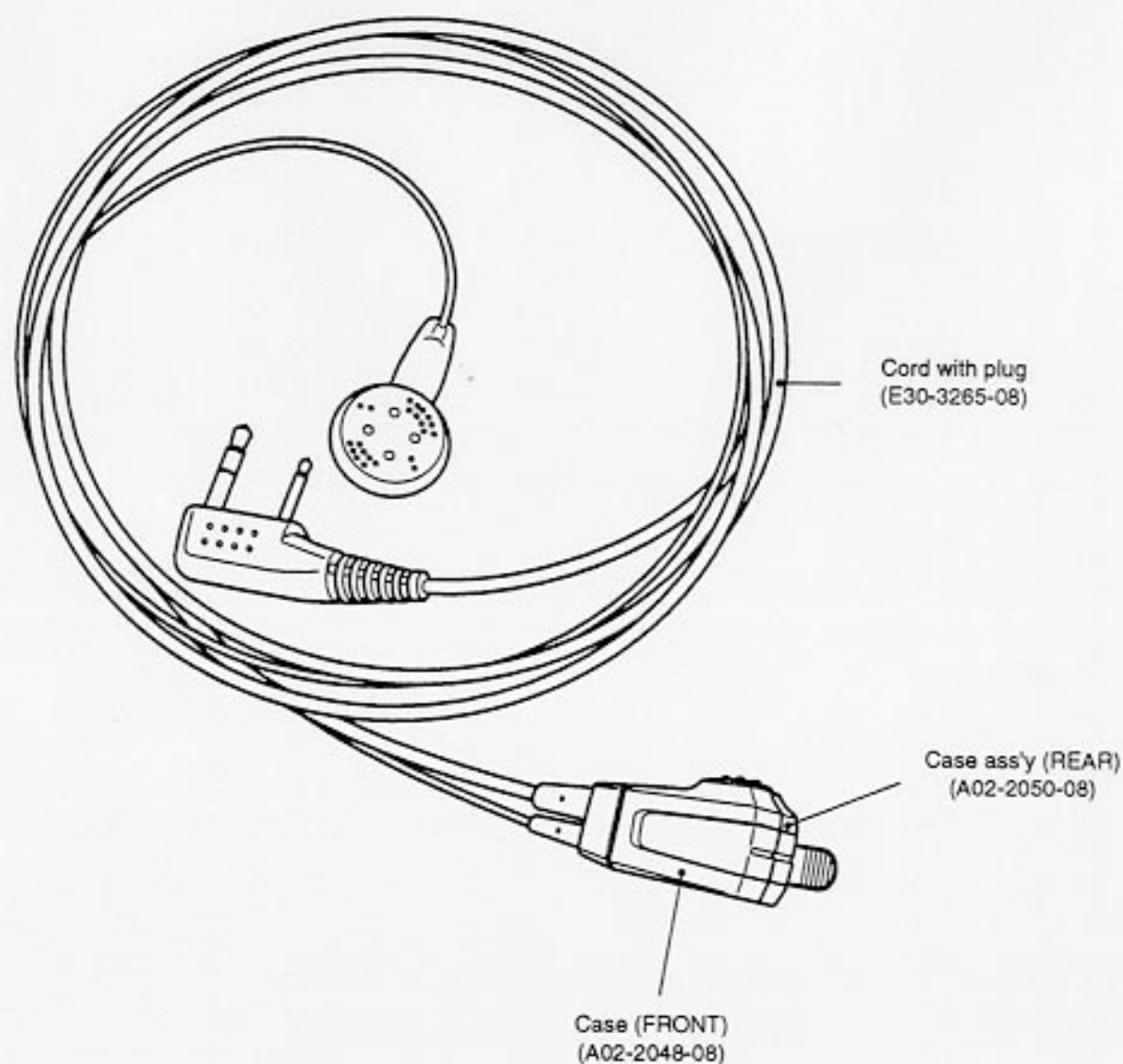
EMC-3

Downloaded by
RadioAmateur.EU

KENWOOD

SERVICE MANUAL

© 1997-3 PRINTED IN JAPAN
B51-8393-00 (B) 1147



SPECIFICATIONS

- Earphone unit
 - Type of element Dynamic
 - Output level 97dB
 - Nominal input Power 4mW
 - Impedance 150Ω
- Microphone unit
 - Type of element Electret-condenser
 - Sensitivity -62dB
 - Impedance 1.5kΩ
- Weight Approx. 20g

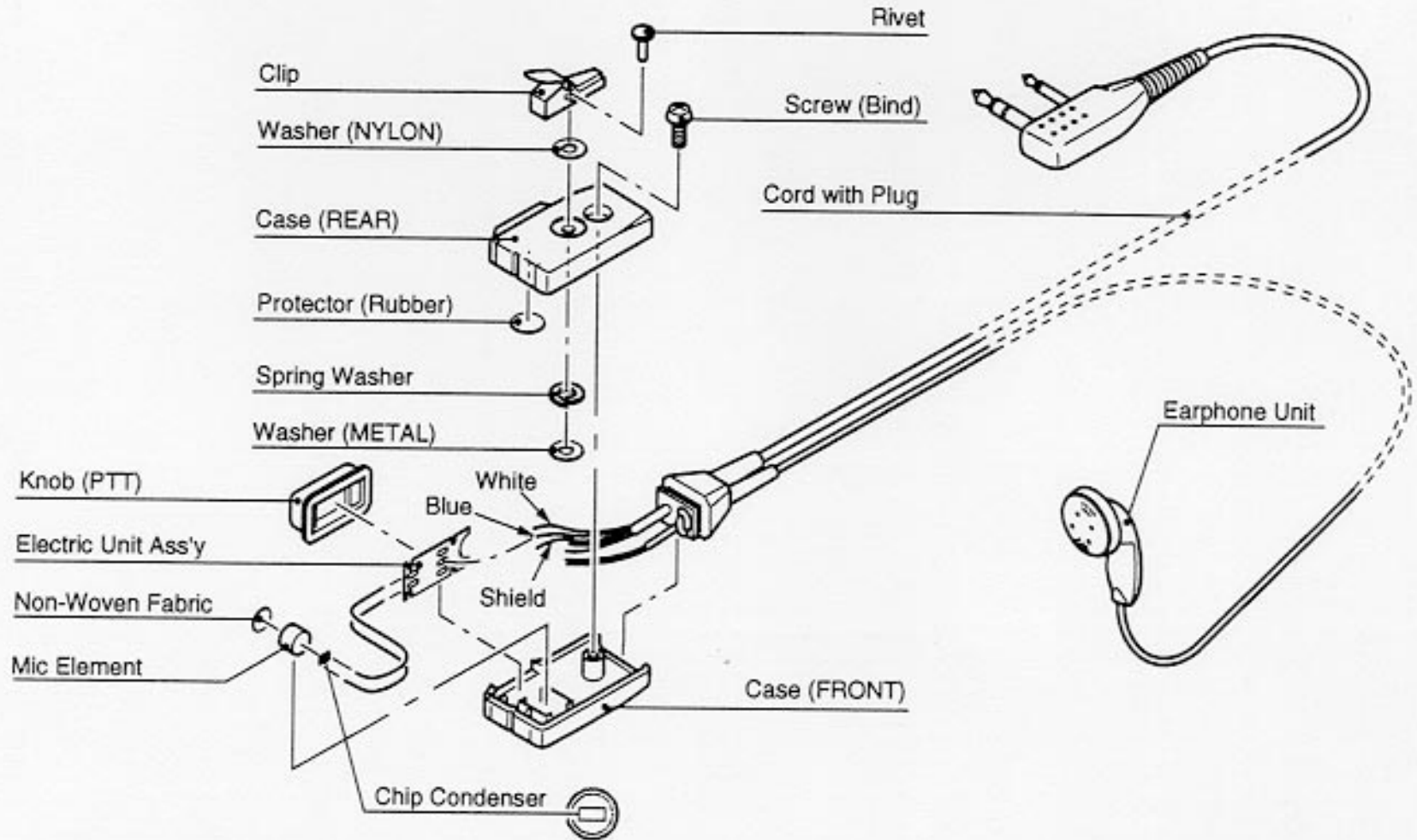
PARTS LIST

New	Parts No.	Description
EMC-3		
•	A02-2048-08	CASE (FRONT)
•	A02-2050-08	CASE ASSY (REAR)
•	E30-3265-08	CORD WITH PLUG ASSY (E. P. BUSHING)
•	K29-5152-08	KNOB (PTT)
	S70-0408-05	TACT SWITCH (PTT)
	T91-0393-08	MIC ELEMENT
•	W22-0184-05	HEADPHONE MIC

EMC-3

EXPLODED VIEW

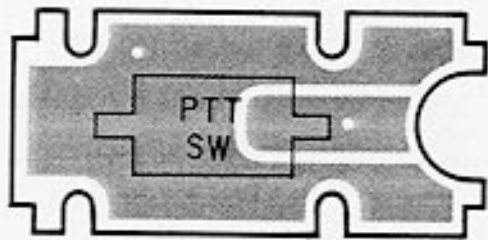
Downloaded by
RadioAmateur.EU



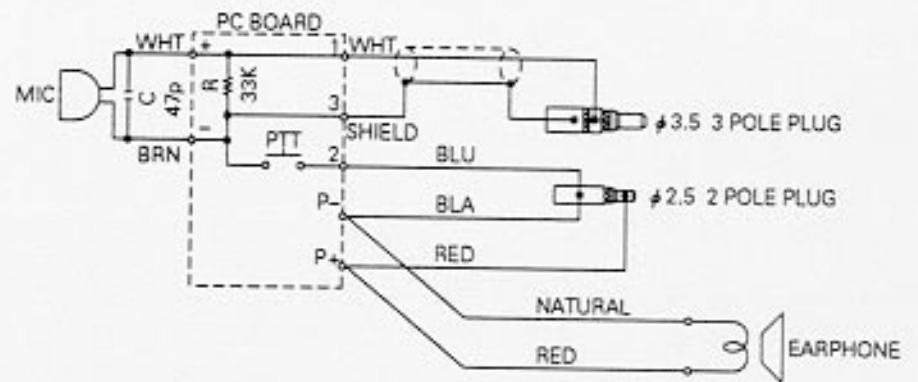
PC BOARD

ELECTRIC UNIT

Component side

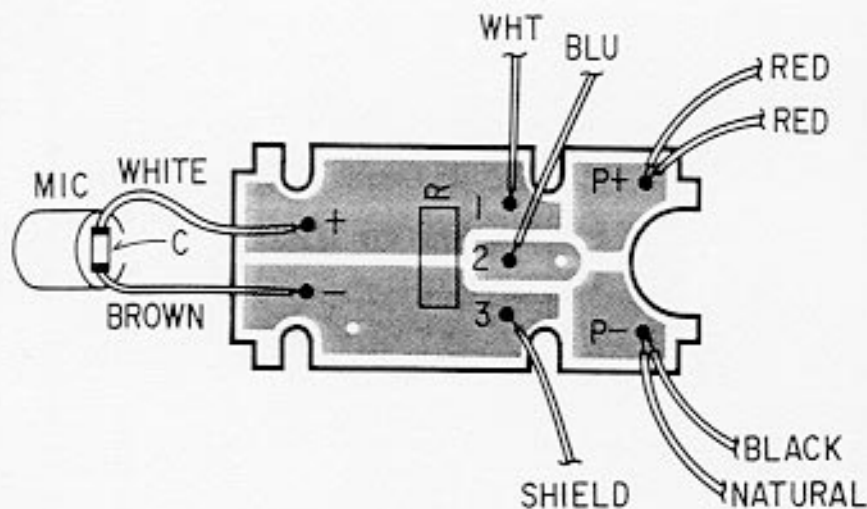


SCHEMATIC DIAGRAM



ELECTRIC UNIT

Soldering side



KENWOOD CORPORATION

14-6, Dogenzaka 1-chome, Shibuya-ku, Tokyo 150, Japan

KENWOOD SERVICE CORPORATION

P.O. BOX 22745, 2201 East Dominguez Street, Long Beach, CA 90801-5745, U.S.A.

KENWOOD ELECTRONICS LATIN AMERICA S.A.

P.O. BOX 55-2791 Piso 6 Plaza Chase Cl. 47 y Aquilino de la Guardia Panama, Republic of Panama

KENWOOD ELECTRONICS CANADA INC.

6070 Kestrel Road, Mississauga, Ontario, Canada L5T 1S8

KENWOOD ELECTRONICS DEUTSCHLAND GMBH

Rembrücker Str. 15, 63150 Heusenstamm

KENWOOD ELECTRONICS BELGIUM N.V.

Mechelsesteenweg 418 B-1930 Zaventem, Belgium

KENWOOD ELECTRONICS FRANCE S.A.

13, Boulevard Ney, 75018 Paris, France

KENWOOD ELECTRONICS U.K. LIMITED

KENWOOD House, Dwight Road, Watford, Herts., WD1 8EB United Kingdom

KENWOOD ELECTRONICS NEDERLAND B.V.

Amsterdamseweg 35, 1422 AC Uithoorn, The Netherlands

KENWOOD ELECTRONICS ITALIA S.p.A.

Via G. Sirtori, 7/9 20129 Milano, Italy

KENWOOD IBERICA S.A.

Bolivia, 239-08020 Barcelona, Spain

KENWOOD ELECTRONICS AUSTRALIA PTY. LTD.

(A.C.N. 001 499 074)

P.O. Box 504, 8 Figtree Drive, Australia Centre, Homebush, N.S.W. 2140, Australia

KENWOOD & LEE ELECTRONICS, LTD.

Unit 3712-3724, Level 37, Tower one Metroplaza, 223 Hing Fong Road, Kwai Fong, N.T., Hong Kong