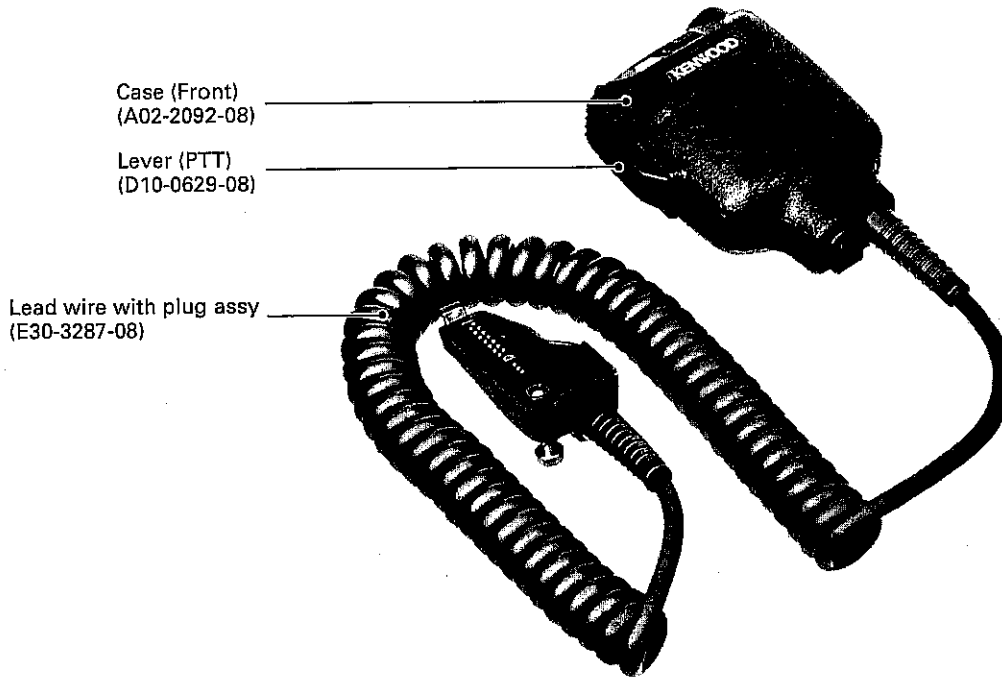


SPEAKER MICROPHONE
KMC-25

SERVICE MANUAL

KENWOOD

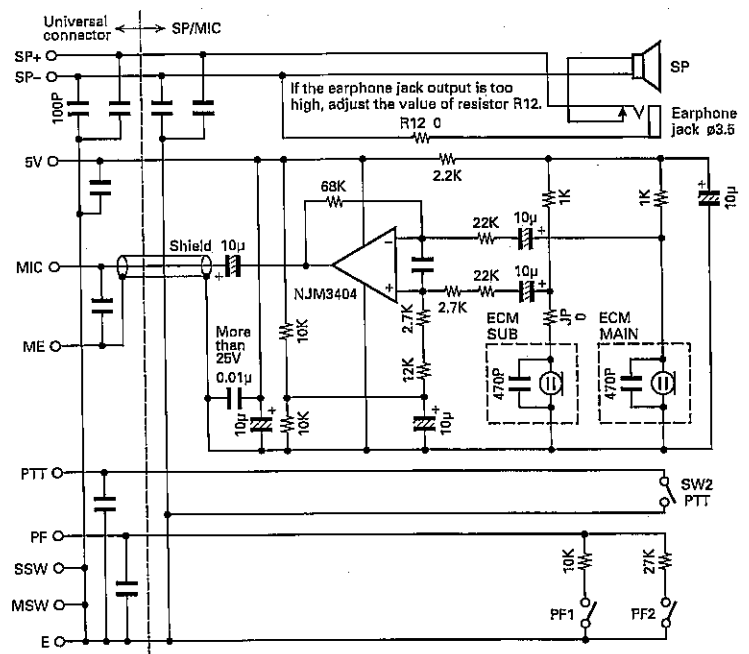
© 1997-8 PRINTED IN JAPAN
 B51-8410-00 (N) 1397



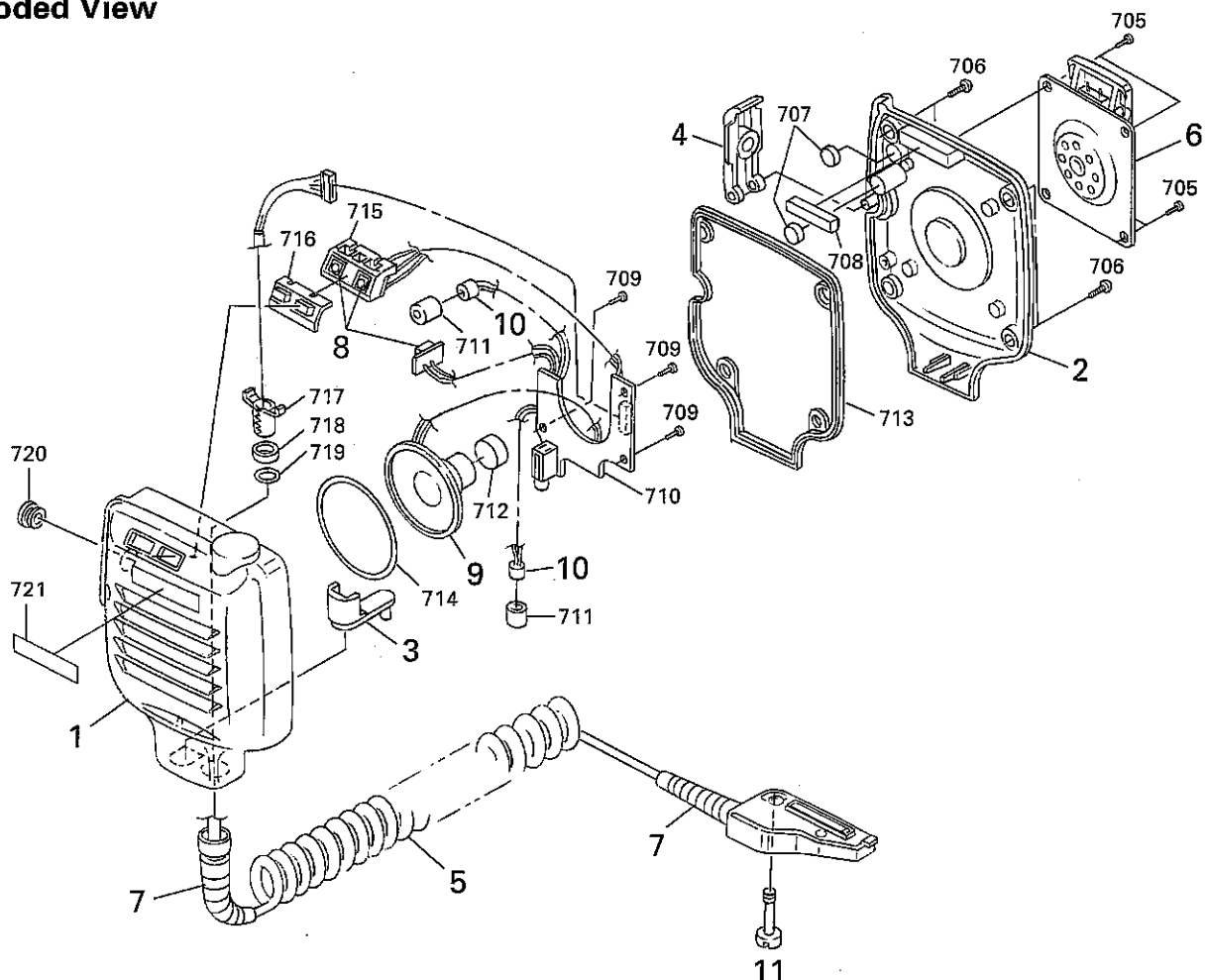
Specifications

- Microphone
 Impedance 2kΩ
 Sensitivity -65dB±4.0dB at 1kHz
- Speaker
 Impedance 16Ω
 Input 0.5W
 Maximum input 1.5W
 Dimensions 62 W x 81 H x 29 D (mm)
 Weight (With plug cord) Approx. 0.17kg

Circuit Diagram



Exploded View



Parts List

* : New parts

Ref. No.	New parts	Parts No.	Description
1	*	A02-2092-08	Case (Front)
2	*	A02-2093-08	Case (Rear)
3	*	B09-0382-08	Cap (Phone)
4	*	D10-0629-08	Lever (PTT)
5	*	E30-3287-08	Lead wire with plug assy
6	*	J29-0644-08	Clip assy
7	*	J42-0495-08	Bushing
8	*	S70-0459-08	Tact switch
9	*	T70-0359-08	Speaker
10	*	T91-0584-08	MIC element
11	*	N08-0535-08	Dressed screw

KENWOOD CORPORATION

14-6, Dogenzaka 1-chome, Shibuya-ku, Tokyo 150, Japan

KENWOOD SERVICE CORPORATION

P.O. BOX 22745, 2201 East Dominguez Street, Long Beach, CA 90801-5745, U.S.A.

KENWOOD ELECTRONICS LATIN AMERICA S.A.

P.O. BOX 55-2791 Piso 6 Plaza Chase Cl. 47 y Aquilino de la Guardia Panama, Republic of Panama

KENWOOD ELECTRONICS CANADA INC.

6070 Kestrel Road, Mississauga, Ontario, Canada L5T 1S8

KENWOOD ELECTRONICS DEUTSCHLAND GMBH

Rembrücker Str. 15, 63150 Heusenstamm, Germany

KENWOOD ELECTRONICS BELGIUM N.V.

Mechelsesteenweg 418 B-1930 Zaventem, Belgium

KENWOOD ELECTRONICS FRANCE S.A.

13, Boulevard Ney, 75018 Paris, France

KENWOOD ELECTRONICS U.K. LIMITED

KENWOOD House, Dwight Road, Watford, Herts., WD1 8EB United Kingdom

KENWOOD ELECTRONICS EUROPE B.V.

Amsterdamseweg 37, 1422 AC Uithoorn, The Netherlands

KENWOOD ELECTRONICS ITALIA S.p.A.

Via G. Sirtori, 7/9 20129 Milano, Italy

KENWOOD IBERICA S.A.

Bolivia, 239-08020 Barcelona, Spain

KENWOOD ELECTRONICS AUSTRALIA PTY. LTD.

(A.C.N. 001 499 074)

P.O. Box 504, 8 Figtree Drive, Australia Centre, Homebush, N.S.W. 2140, Australia

KENWOOD & LEE ELECTRONICS, LTD.

Unit 3712-3724, Level 37, Tower one Metroplaza, 223 Hing Fong Road, Kwai Fong, N.T., Hong Kong