

MICROPHONE

KMC-27/27A/27B KMC-28/28A

SERVICE MANUAL

KENWOOD

© 1999-3 PRINTED IN JAPAN
B51-8473-00 (N) 926

KMC-27



KMC-28



KMC-27A/27B



KMC-28A



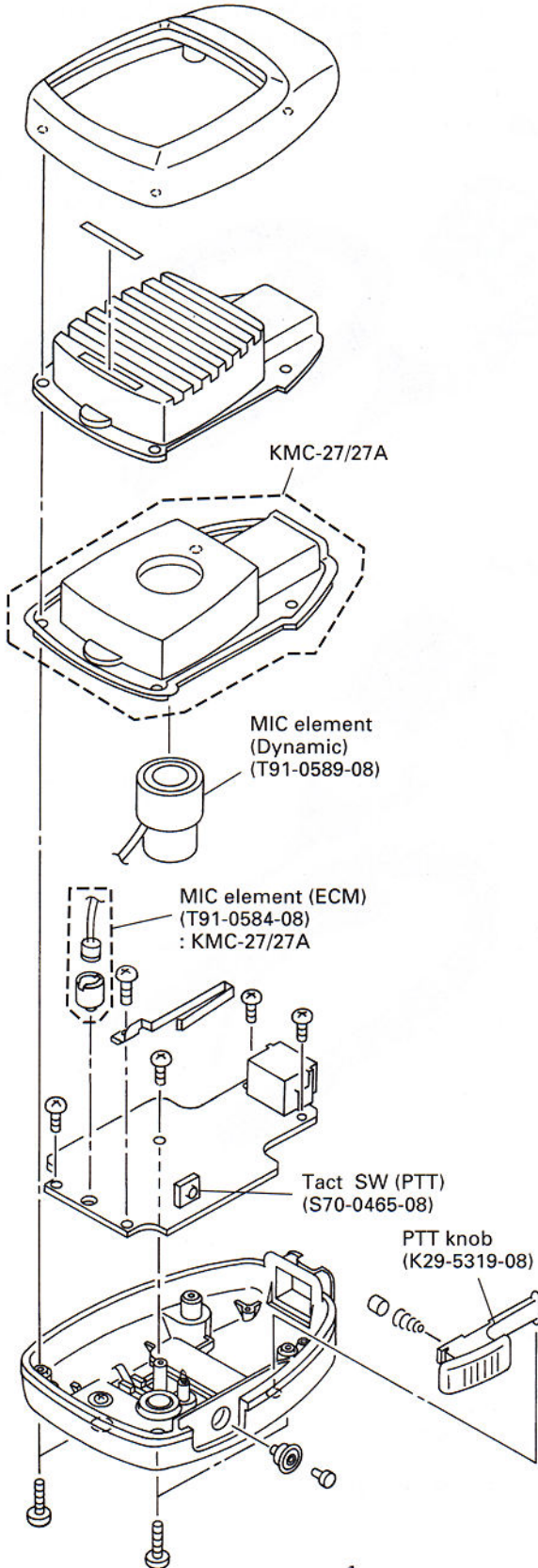
CONTENTS

EXPLODED VIEW	2	FEATURES	5
SCHEMATIC DIAGRAM		PARTS LIST	5
KMC-27/27A/27B	3	SPECIFICATIONS	5
KMC-28/28A	4		

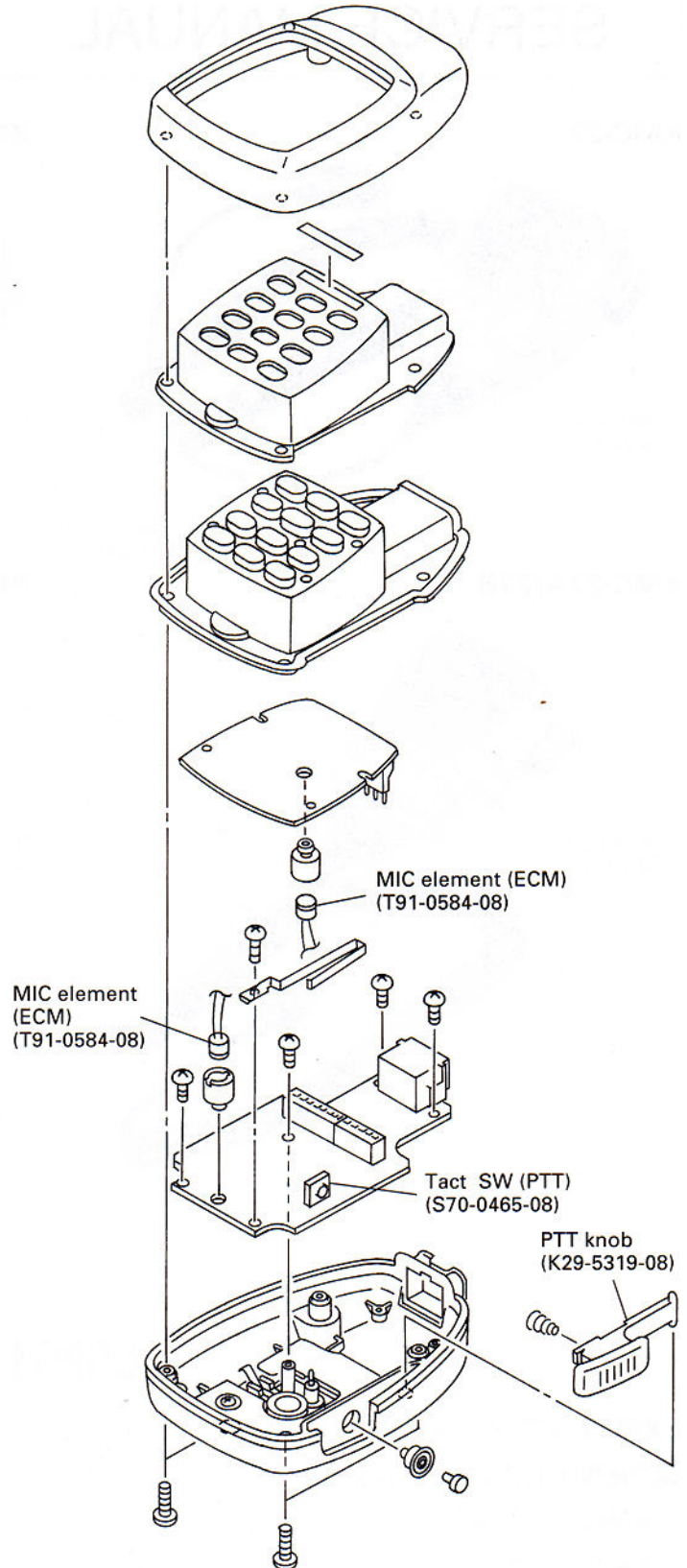
KMC-27/27A/27B/28/28A

EXPLODED VIEW

KMC-27/27A/27B

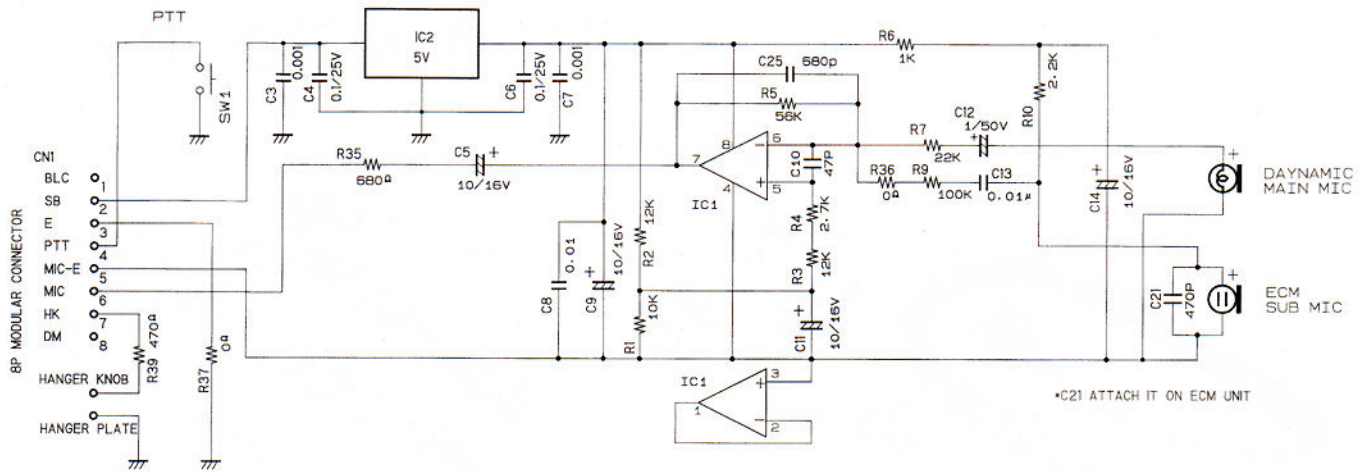


KMC-28/28A

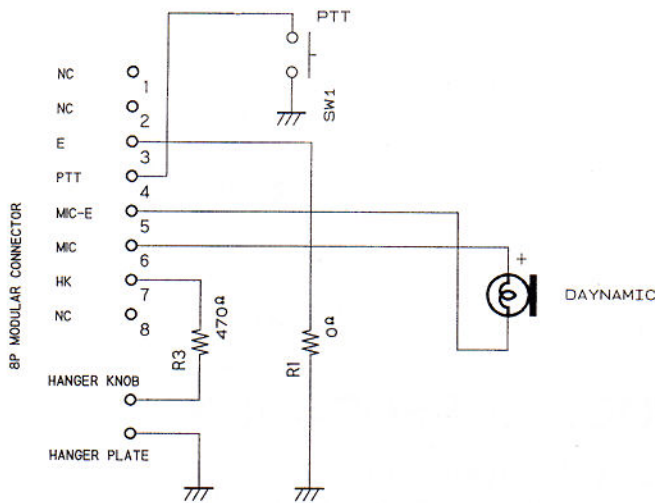


SCHEMATIC DIAGRAM

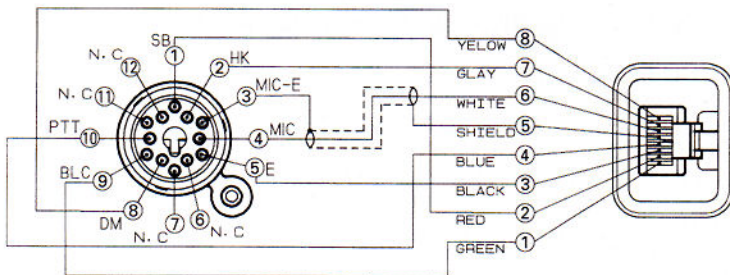
KMC-27/27A



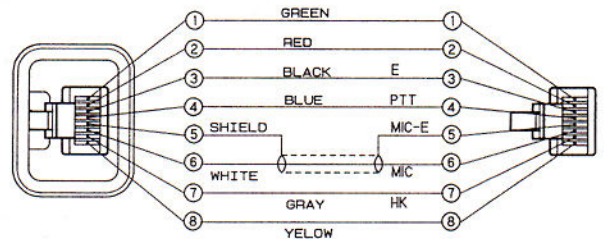
KMC-27B



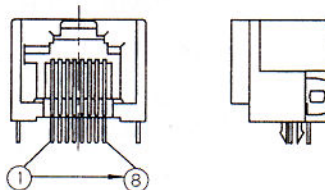
KMC-27



KMC-27A/27B



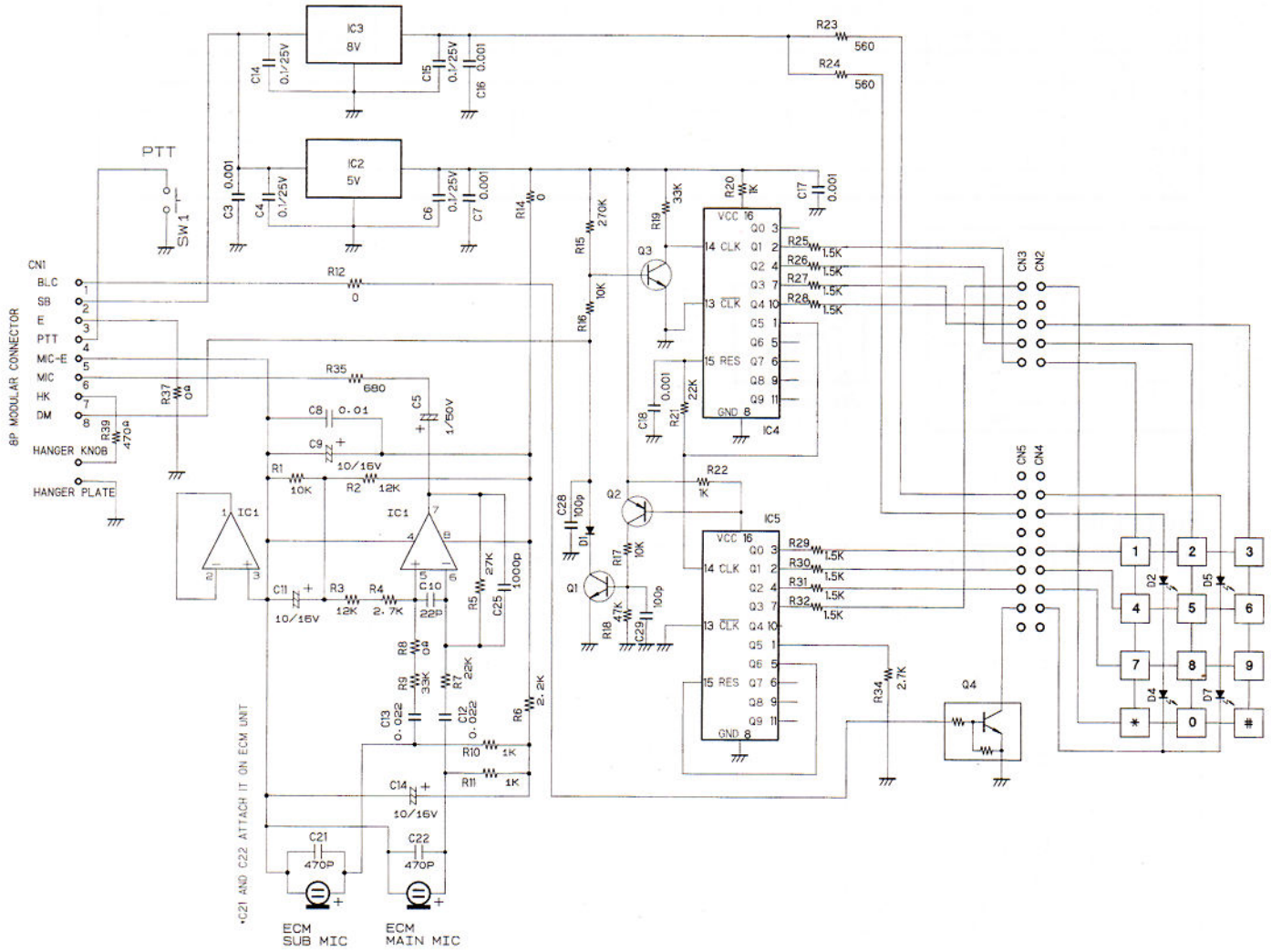
8P MODULAR CONNECTOR PIN NO.



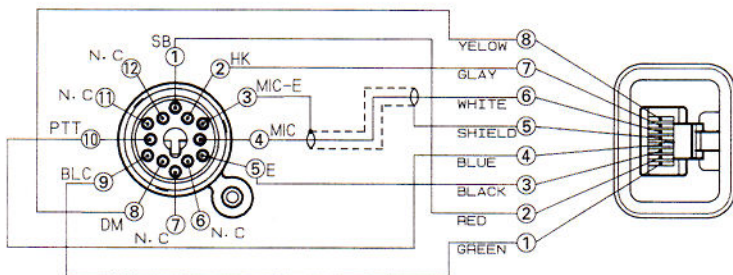
KMC-27/27A/27B/28/28A

SCHEMATIC DIAGRAM

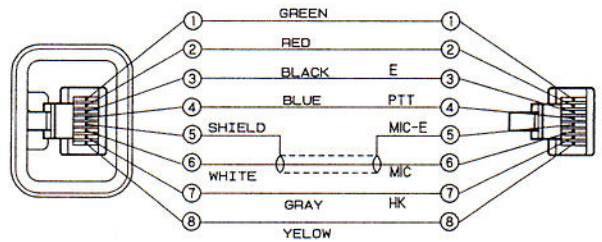
KMC-28/28A



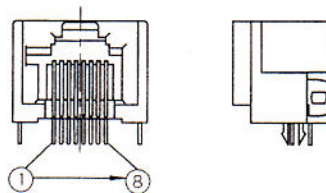
KMC-28



KMC-28A



BP MODULAR CONNECTOR PIN NO.



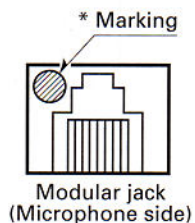
KMC-27/27A/27B/28/28A

FEATURES / PARTS LIST / SPECIFICATIONS

Features

Model	Universal (12 pins)	Modular (8 pins)	Hook SW	Noise canceling	12 keys (DTMF)	Backlit keyboard	Blowing rain
KMC-27	○	—	○	○	—	—	○
KMC-27A	—	○	○	○	—	—	○
KMC-27B	—	○	○	—	—	—	—
KMC-28	○	—	○	○	○	○	○
KMC-28A	—	○	○	○	○	○	○

Model	* Color Marking
KMC-27	Red
KMC-27A	Red
KMC-27B	Black
KMC-28	Red
KMC-28A	Red



Parts List

Ref. No.	New parts	Parts No.	Description	Model name
	*	E30-3313-08	MIC cable (12P-8P)	KMC-27/28
	*	E30-3360-08	MIC cable (8P-8P)	KMC-27A/27B
	*	E30-3360-08	MIC cable (8P-8P)	KMC-28A
	*	J19-1584-05	Hanger set	
	*	K29-5319-08	PTT knob	
	*	S70-0465-08	Tact SW (PTT)	
	*	T91-0584-08	MIC element (ECM)	KMC-27/27A
	*	T91-0584-08	MIC element (ECM)	KMC-28/28A
	*	T91-0587-05	MIC and MIC cable	KMC-27
	*	T91-0589-08	MIC element (Dynamic)	KMC-27/27A/27B
	*	T91-0597-05	MIC and MIC cable	KMC-27B

Specifications

Impedance 600Ω±30% (at 1kHz)
 Sensitivity -70dB±4dB (at 1kHz)
 Voltage required 13.8V±20%
 Current drain Less than 5mA (KMC-27/27A), Less than 20mA (KMC-28/28A)
 Operating temperature range -30°C to +60°C

KENWOOD CORPORATION

14-6, Dogenzaka 1-chome, Shibuya-ku, Tokyo 150-8501, Japan

KENWOOD SERVICE CORPORATION

P.O. BOX 22745, 2201 East Dominguez Street, Long Beach, CA 90801-5745, U.S.A.

KENWOOD ELECTRONICS LATIN AMERICA S.A.

P.O. BOX 55-2791 Piso 6 Plaza Chase Cl. 47 y Aquilino de la Guardia Panama, Republic of Panama

KENWOOD ELECTRONICS CANADA INC.

6070 Kestrel Road, Mississauga, Ontario, Canada L5T 1S8

KENWOOD ELECTRONICS DEUTSCHLAND GMBH

Rembrücker Str. 15, 63150 Heusenstamm, Germany

KENWOOD ELECTRONICS BELGIUM N.V.

Mechelsesteenweg 418 B-1930 Zaventem, Belgium

KENWOOD ELECTRONICS FRANCE S.A.

13, Boulevard Ney, 75018 Paris, France

KENWOOD ELECTRONICS U.K. LIMITED

KENWOOD House, Dwight Road, Watford, Herts., WD1 8EB United Kingdom

KENWOOD ELECTRONICS EUROPE B.V.

Amsterdamsesweg 37, 1422 AC Uithoorn, The Netherlands

KENWOOD ELECTRONICS ITALIA S.p.A.

Via G. Sirtori, 7/9 20129 Milano, Italy

KENWOOD IBERICA S.A.

Bolivia, 239-08020 Barcelona, Spain

KENWOOD ELECTRONICS AUSTRALIA PTY. LTD.

(A.C.N. 001 499 074)

P.O. Box 504, 8 Figtree Drive, Australia Centre, Homebush, N.S.W. 2140, Australia

KENWOOD & LEE ELECTRONICS, LTD.

Unit 3712-3724, Level 37, Tower one Metroplaza, 223 Hing Fong Road, Kwai Fong, N.T., Hong Kong

KENWOOD ELECTRONICS TECHNOLOGIES(S) PTE LTD.

Sales Marketing Division

1 Ang Mo Kio Street 63, Singapore 569110