

MICROPHONE / KEY PAD MICROPHONE
KMC-30/32
 SERVICE MANUAL

KENWOOD

© 1999-11 PRINTED IN JAPAN
 B51-8514-00 (N) 1074

KMC-30

KMC-32

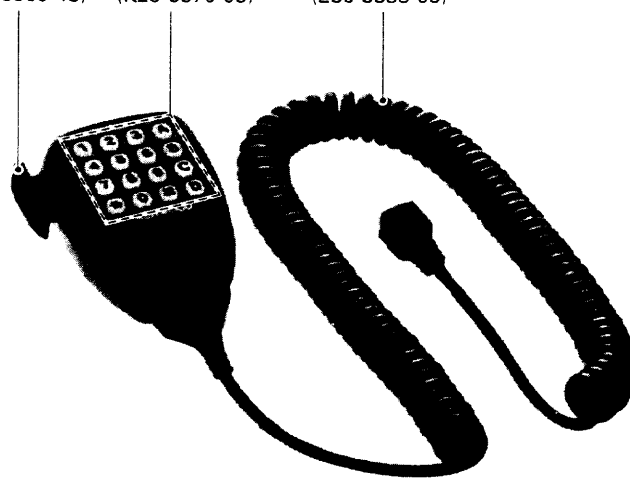
Lever knob
 (K29-5369-13)

Curl cord
 (E30-3388-05)

Lever knob
 (K29-5369-13)

Key top
 (K29-5370-03)

Curl cord
 (E30-3388-05)



PARTS LIST

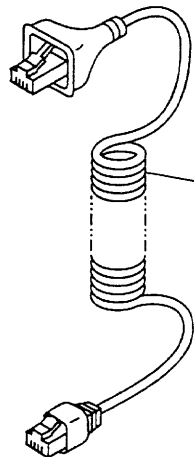
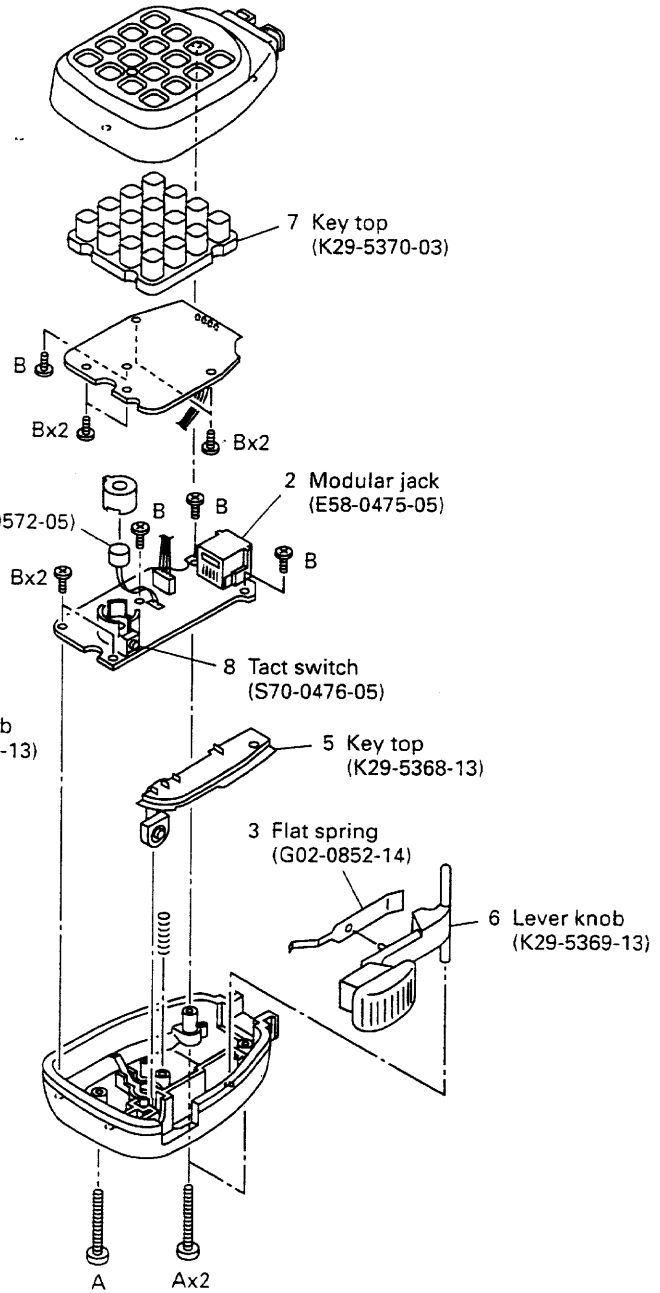
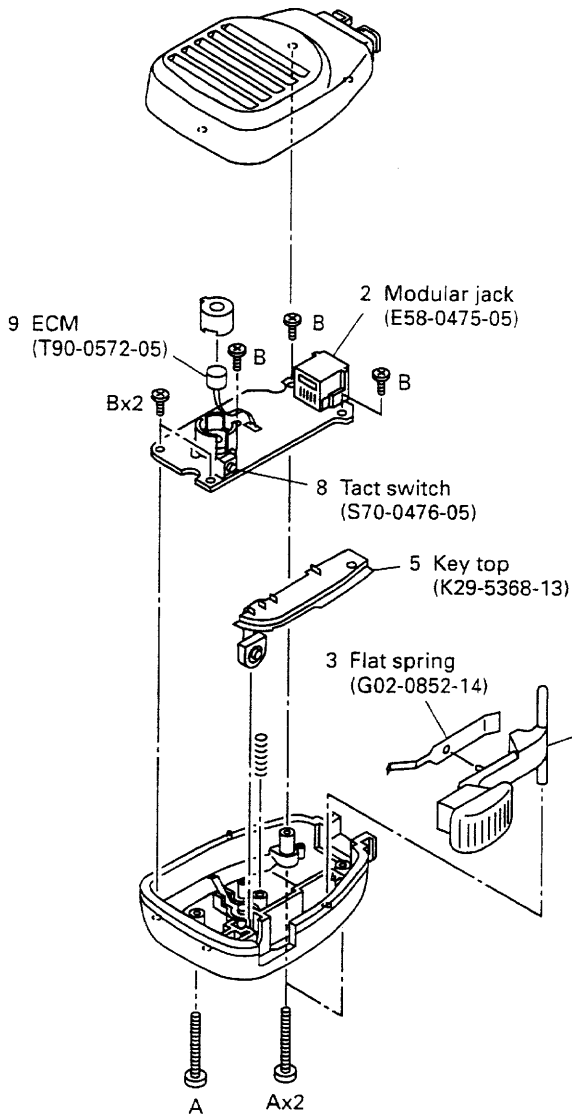
Ref. No.	Address	New parts	Parts No.	Description	Destination	
1		*	E30-3388-05	CURL CORD	ACSY	
2		*	E58-0475-05	MODULAR JACK		
3		*	G02-0852-14	FLAT SPRING	PTT	
4			J19-1584-05	MIC HANGER	ACSY	
4		*	J29-0659-03	MIC HANGER	ACSY	
5		*	K29-5368-13	KEY TOP	PTT	
6		*	K29-5369-13	LEVER KNOB	PTT	
7		*	K29-5370-03	KEY TOP	16 KEY	KMC-32
A		*	N83-3020-45	PAN HEAD TAPTITE SCREW		
B			N89-2005-46	BINDING HEAD TAPTITE SCREW		
8		*	S70-0476-05	TACT SWITCH		
9			T91-0572-05	ECM		

KMC-30/32

EXPLODED VIEW

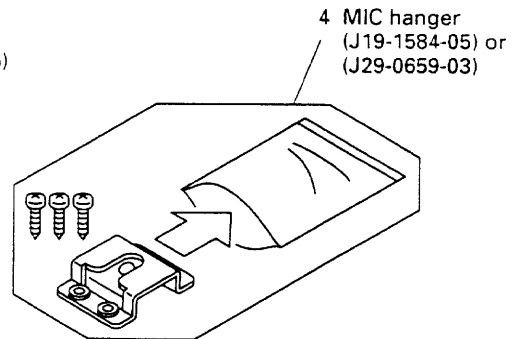
KMC-30

KMC-32



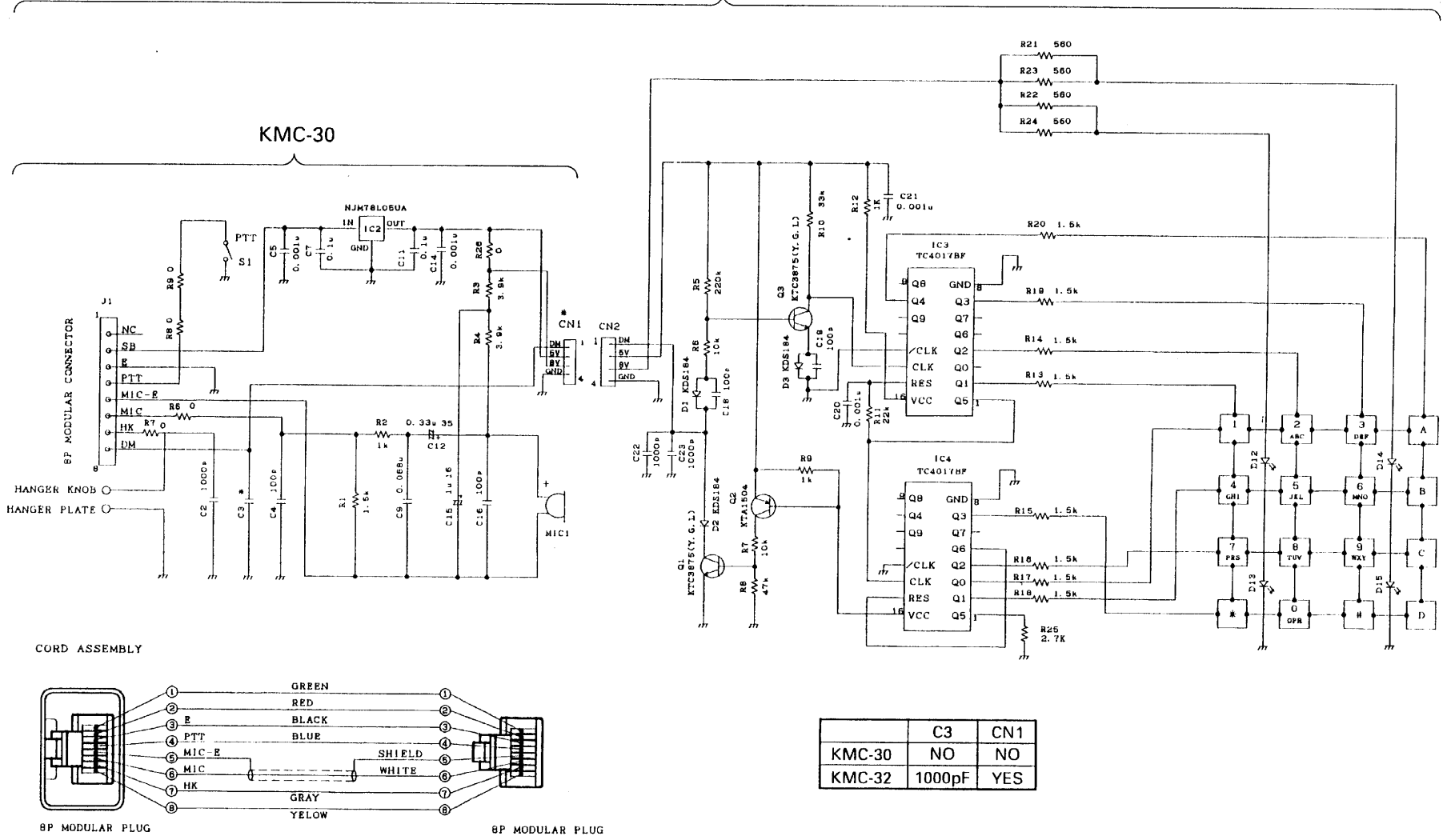
1 Curl cord (E30-3388-05)

A $\phi 3 \times 20$ BLK : N83-3020-45
 B M2 x 5 (Bi-Tap) : N89-2005-46



4 MIC hanger (J19-1584-05) or (J29-0659-03)

KMC-32



CIRCUIT DIAGRAM

KMC-30/32

SPECIFICATIONS

Voltage Required 13.8V \pm 20%

Operating Temperature Range -30°C ~ +60°C

KENWOOD CORPORATION

14-6, Dogenzaka 1-chome, Shibuya-ku, Tokyo 150-8501, Japan

KENWOOD SERVICE CORPORATION

P.O. BOX 22745, 2201 East Dominguez Street, Long Beach, CA 90801-5745, U.S.A.

KENWOOD ELECTRONICS LATIN AMERICA S.A.

P.O. BOX 55-2791 Piso 6 Plaza Chase Cl. 47 y Aquilino de la Guardia Panama, Republic of Panama

KENWOOD ELECTRONICS CANADA INC.

6070 Kestrel Road, Mississauga, Ontario, Canada L5T 1S8

KENWOOD ELECTRONICS DEUTSCHLAND GMBH

Rembrücker Str. 15, 63150 Heusenstamm, Germany

KENWOOD ELECTRONICS BELGIUM N.V.

Mechelsesteenweg 418 B-1930 Zaventem, Belgium

KENWOOD ELECTRONICS FRANCE S.A.

13, Boulevard Ney, 75018 Paris, France

KENWOOD ELECTRONICS U.K. LIMITED

KENWOOD House, Dwight Road, Watford, Herts., WD1 8EB United Kingdom

KENWOOD ELECTRONICS EUROPE B.V.

Amsterdamseweg 37, 1422 AC Uithoorn, The Netherlands

KENWOOD ELECTRONICS ITALIA S.p.A.

Via G. Sirtori, 7/9 20129 Milano, Italy

KENWOOD IBERICA S.A.

Bolivia, 239-08020 Barcelona, Spain

KENWOOD ELECTRONICS AUSTRALIA PTY. LTD.

(A.C.N. 001 499 074)

16 Giffnock Avenue, North Ryde, N.S.W. 2113 Australia

KENWOOD ELECTRONICS (HONG KONG) LTD.

Unit 3712-3724, Level 37, Tower one Metroplaza, 223 Hing Fong Road, Kwai Fong, N.T., Hong Kong

KENWOOD ELECTRONICS TECHNOLOGIES(S) PTE LTD.

Sales Marketing Division

1 Ang Mo Kio Street 63, Singapore 569110