

Thank you for purchasing the new microphone. This unit has been carefully engineered and manufactured to rigid quality standards, and should give you satisfactory and dependable operation for many years.

### 1. BEFORE OPERATION

**IMPORTANT:**

Please read this Instruction Manual carefully before placing your microphone in service.

1. Handle the microphone with reasonable care. Do not subject to excessive mechanical shock.
2. The microphone is constructed of precision parts. Do not open the microphone, as it may result in serious damage.

### 2. SPECIFICATIONS AND ACCESSORY

#### 2-1. SPECIFICATIONS

SPECIFICATIONS	MODEL	KMC-9
Type		Uni-directional Dynamic Microphone (Preamplifier built-in)
Output Impedance		600Ω ± 30% (at 1 kHz)
Sensitivity		-50 dB ± 3 dB (at 1 kHz, 0 dB = 1V/μ bar)
Frequency Characteristic		300 ~ 3000 Hz (± 6 dB)
Power Requirements		13.8 VDC (supplied from the radio)
Dimensions (W × H × D)		70 × 162 × 150 mm (2-3/4 × 6-3/8 × 5-29/32 inch)
Weight		550 g (1.2 lbs)

**Note:**

Ratings are subject to change without notice due to advancements in technology.

**After unpacking**

**Shipping container:**

Save the boxes and packing in the event your unit needs to be transported for maintenance or service.

#### 2-2. ACCESSORY

Instruction Manual ..... (B50-8179-08) ..... 1 ea.

### 3. INSTALLATION AND CONNECTION

#### 3-1. INSTALLATION

**Cautions:**

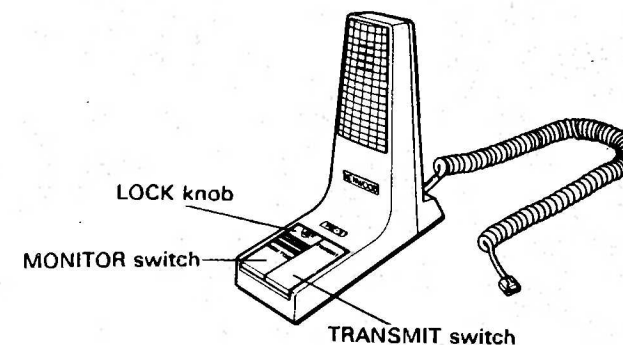
1. Do not place the unit in a place which is exposed to direct sunlight, near a heater, etc.
2. Do not store or use the unit in a dusty location or in a moist atmosphere. Select a well ventilated location.

#### 3-2. CONNECTION

Plug the microphone modular connector into the radio's microphone connector so that the locking pin is positioned down. The microphone connector will lock in. To release, pinch the connector and locking pin together and pull them out.

### 4. OPERATION

#### 4-1. CONTROLS



#### 4-2. TRANSMIT

**Notes:**

1. The TRANSMIT switch cannot operate unless the MONITOR switch is on.
2. Before transmitting, press the MONITOR switch to check for a busy channel.

The MONITOR switch can be locked by sliding the LOCK knob toward you. To release, slide the LOCK knob in the opposite direction.

Operate the TRANSMIT switch by pressing the MONITOR and TRANSMIT switches simultaneously (fig. a), or press TRANSMIT switch after locking the MONITOR switch (fig. b).

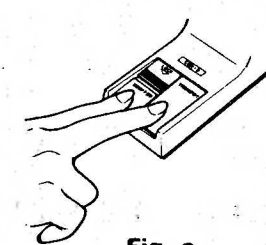


Fig. a

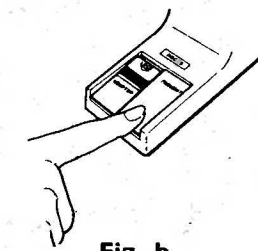
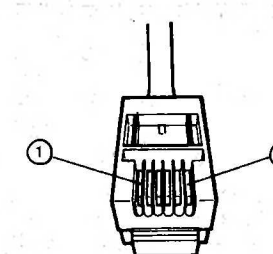
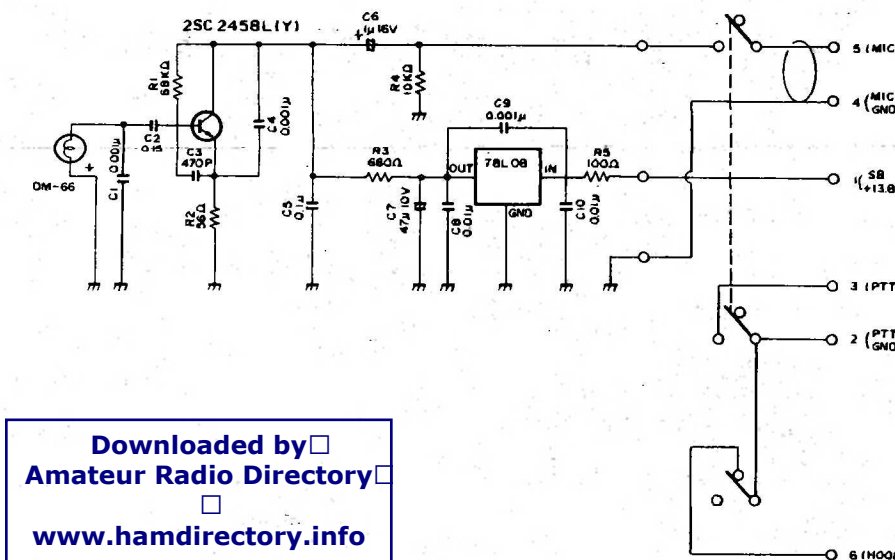


Fig. b

### 5. CIRCUIT DIAGRAM



Downloaded by  Amateur Radio Directory   
[www.hamdirectory.info](http://www.hamdirectory.info)

**Note:**

Circuit diagram is subject to change without notice due to advancements in technology.

### 6. MAINTENANCE

**Cleaning**

The cabinet and the switches are likely to become soiled after extended use. These should be cleaned with a silicone cloth or a clean dry cloth.

**Caution:**

Do not use volatile solvents such as alcohol, paint thinner, gasoline, benzine, etc.