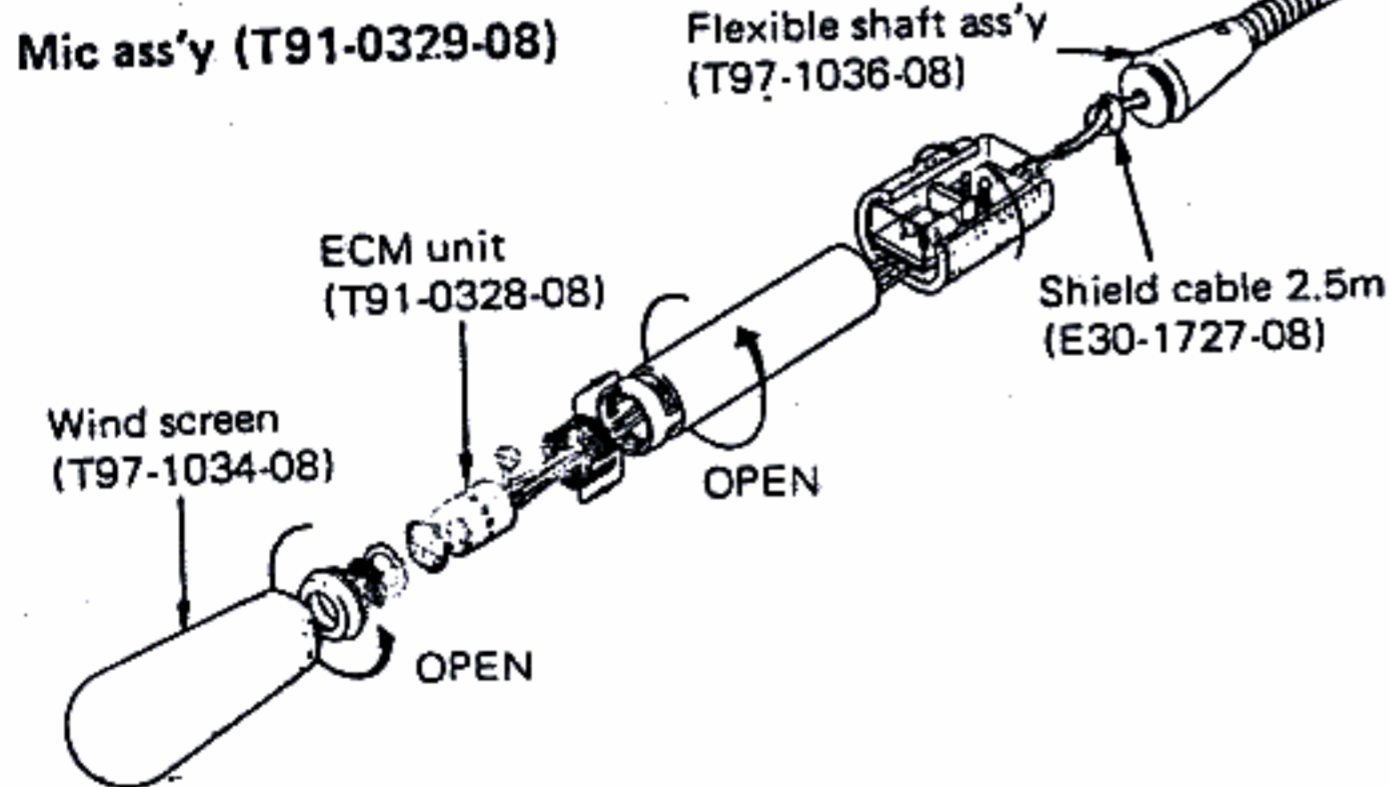


MC-55 SPECIFICATIONS

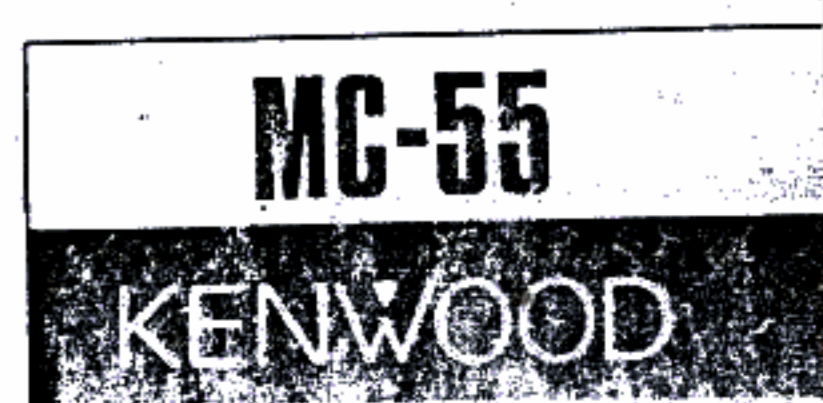
- Type Unidirectional electret condenser microphone
- Impedance Approx. 700Ω
- Sensitivity -50dB (MIC LEVEL MAX)
- Frequency response 300-8000Hz
- Power requirement 6-15V DC



MC-55 DISASSEMBLY



SCHEMATHEEK
 Beh. T. Hultermans
 Postbus 4228
 5604 EE Eindhoven



SERVICE BULLETIN AMATEUR RADIO

SUBJECT MC-55 CHANGE IN MIC ELEMENT (T91-0328-08)	DATE 05/04/89
------------------------------------------------------	------------------

The new Mic element for an MC-55 comes in two pieces. One piece is a two pin ECM and the other piece is a spacer. The spacer is required as the new ECM is half the size of the old one. The wiring configuration is somewhat changed for the installation of the new Mic element. The figures below show the original configuration, the new configuration, and the assembly. The black wire is not used with the new ECM and a 330 ohm resistor is installed on the foil side of the microphone amplifier board. The leads of the resistor should be insulated with electricians tape or shrink tubing.

