**PARTS LIST**

Ref. No.	Address	New parts	Parts No.	Description	Destination
1		*	E30-7614-08	CURL CORD	ACSY
2			E58-0475-05	MODULAR JACK	
3		*	G02-0852-44	FLAT SPRING	PTT
4			J19-1584-15	MIC HANGER	ACSY
5			K29-5368-13	KEY TOP	PTT
6		*	K29-5369-23	LEVER KNOB	PTT
7		*	K29-9400-03	KEY TOP	16 KEY
A			N83-3020-45	PAN HEAD TAPTITE SCREW	
B			N89-2005-46	BINDING HEAD TAPTITE SCREW	
8			S70-0476-05	TACT SWITCH	
9			T91-0572-05	ECM	

Document Copyrights

Copyright 2007 by Kenwood Corporation. All rights reserved.

No part of this manual may be reproduced, translated, distributed, or transmitted in any form or by any means, electronic, mechanical, photocopying, recording, or otherwise, for any purpose without the prior written permission of Kenwood.

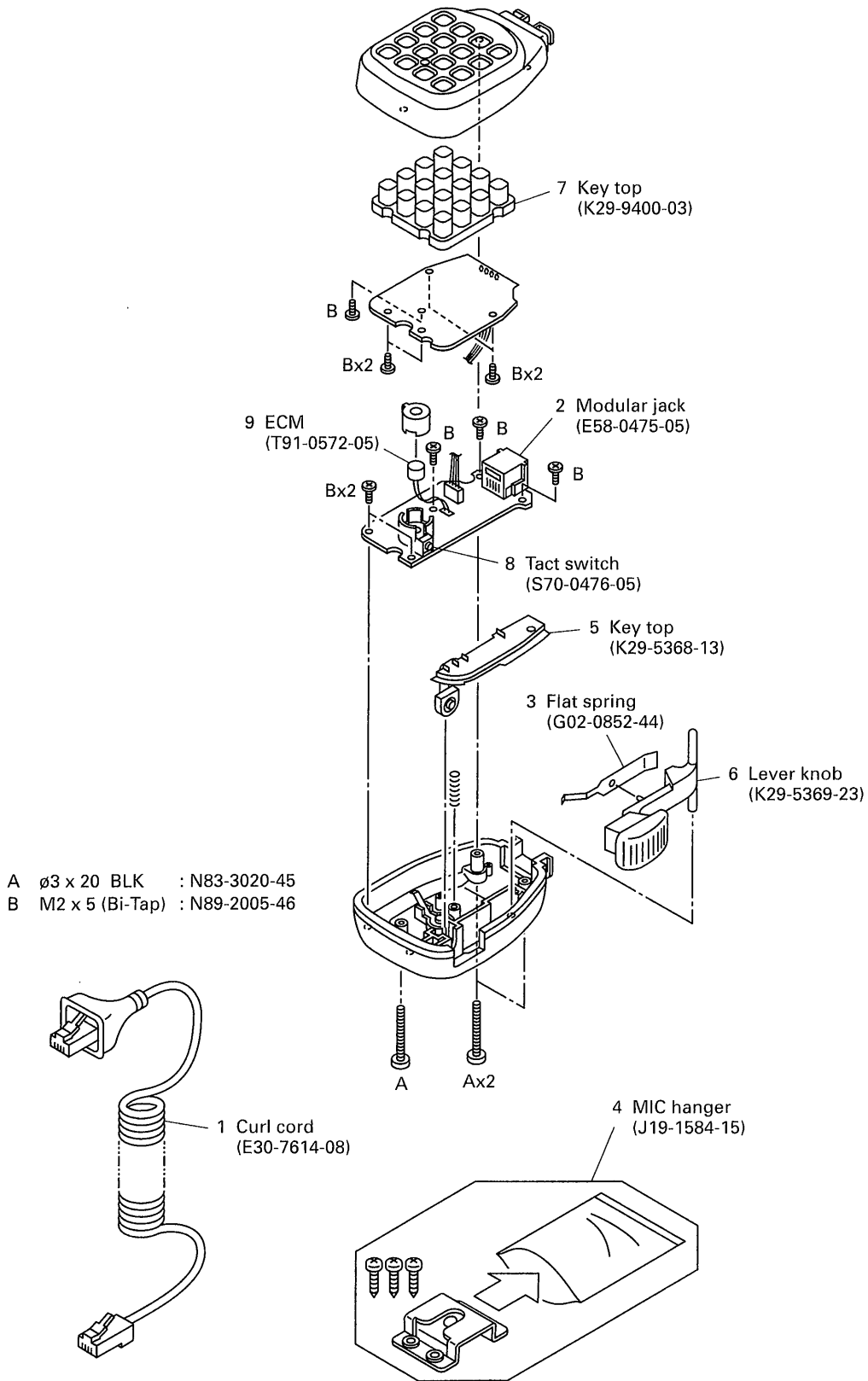
This product complies with the **RoHS** directive for the European market.

Disclaimer

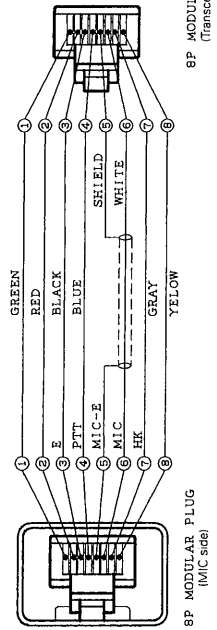
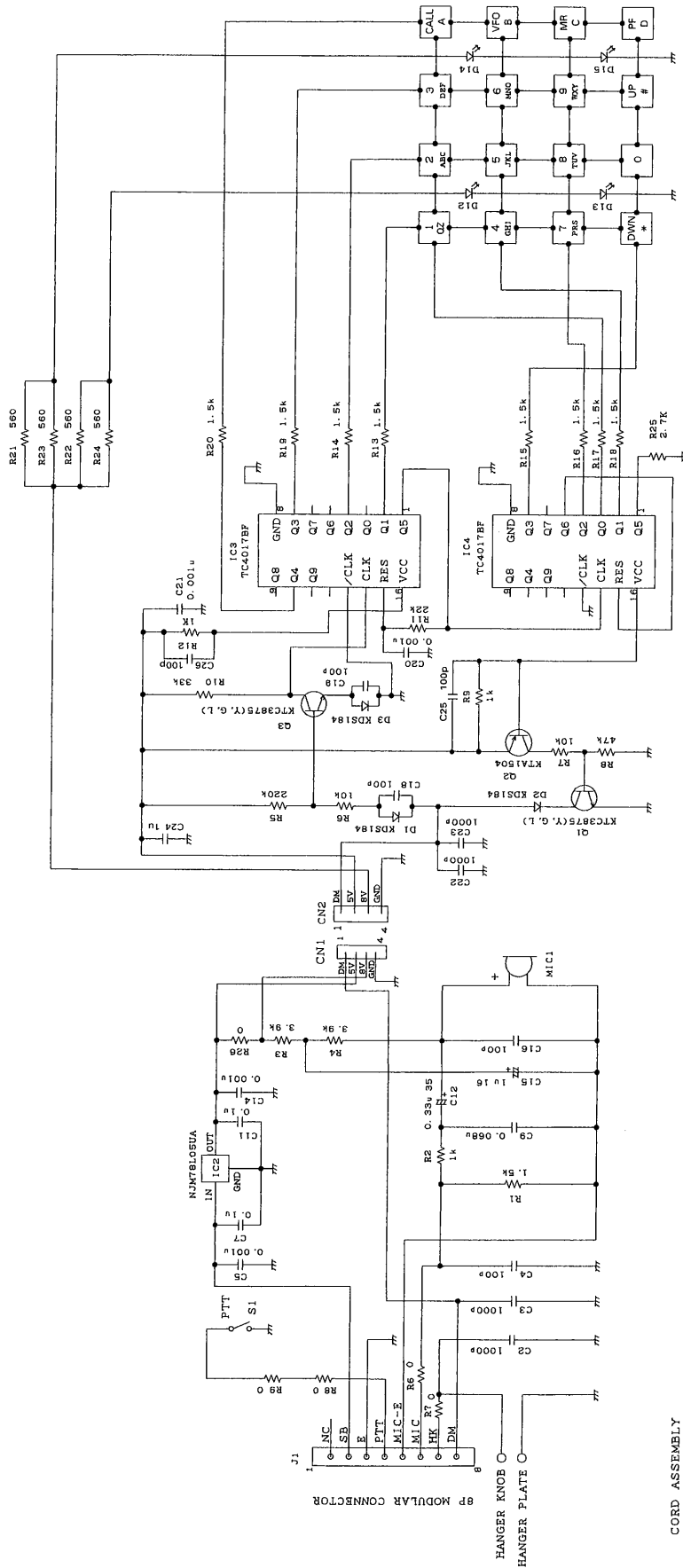
While every precaution has been taken in the preparation of this manual, Kenwood assumes no responsibility for errors or omissions. Neither is any liability assumed for damages resulting from the use of the information contained herein. Kenwood reserves the right to make changes to any products herein at any time for improvement purposes.

This PCB does not have the LF silk screen, but it is a lead-free solder corresponding product.

EXPLODED VIEW



SCHEMATIC DIAGRAM



SPECIFICATIONS

Voltage Required8V±10%
Operating Temperature Range-20°C~+60°C (-4°F~+140°F)
Current DrainLess than 12mA

Kenwood Corporation

2967-3, Ishikawa-machi, Hachioji-shi, Tokyo, 192-8525 Japan

Kenwood U.S.A. Corporation

P.O. BOX 22745, 2201 East Dominguez Street, Long Beach,
CA 90801-5745, U.S.A.

Kenwood Electronics Canada Inc.

6070 Kestrel Road, Mississauga, Ontario, Canada L5T 1S8

Kenwood Electronics Deutschland GmbH

Rembrücker Str. 15, 63150 Heusenstamm, Germany

Kenwood Electronics Belgium N.V.

Leuvensesteenweg 248 J, 1800 Vilvoorde, Belgium

Kenwood Electronics France S.A.

L'Etoile Paris Nord 2, 50 Allée des Impressionnistes,
Bp 58416 Villepinte, 95944 Roissy Ch De Gaulle Cedex

Kenwood Electronics UK Limited

KENWOOD House, Dwight Road, Watford, Herts.,
WD18 9EB United Kingdom

Kenwood Electronics Europe B.V.

Amsterdamseweg 37, 1422 AC Uithoorn, The Netherlands

Kenwood Electronics Italia S.p.A.

Via G. Sirtori, 7/9 20129 Milano, Italy

Kenwood Ibérica, S.A.

Bolivia, 239-08020 Barcelona, Spain

Kenwood Electronics Australia Pty. Ltd.

(A.C.N. 001 499 074)

16 Giffnock Avenue, Centrecourt Estate, North Ryde, N.S.W. 2113 Australia

Kenwood Electronics (Hong Kong) Ltd.

Unit 3712-3724, Level 37, Tower one Metroplaza, 223 Hing Fong Road,
Kwai Fong, N.T., Hong Kong

Kenwood Electronics Singapore Pte Ltd

1 Ang Mo Kio Street 63, Singapore 569110

