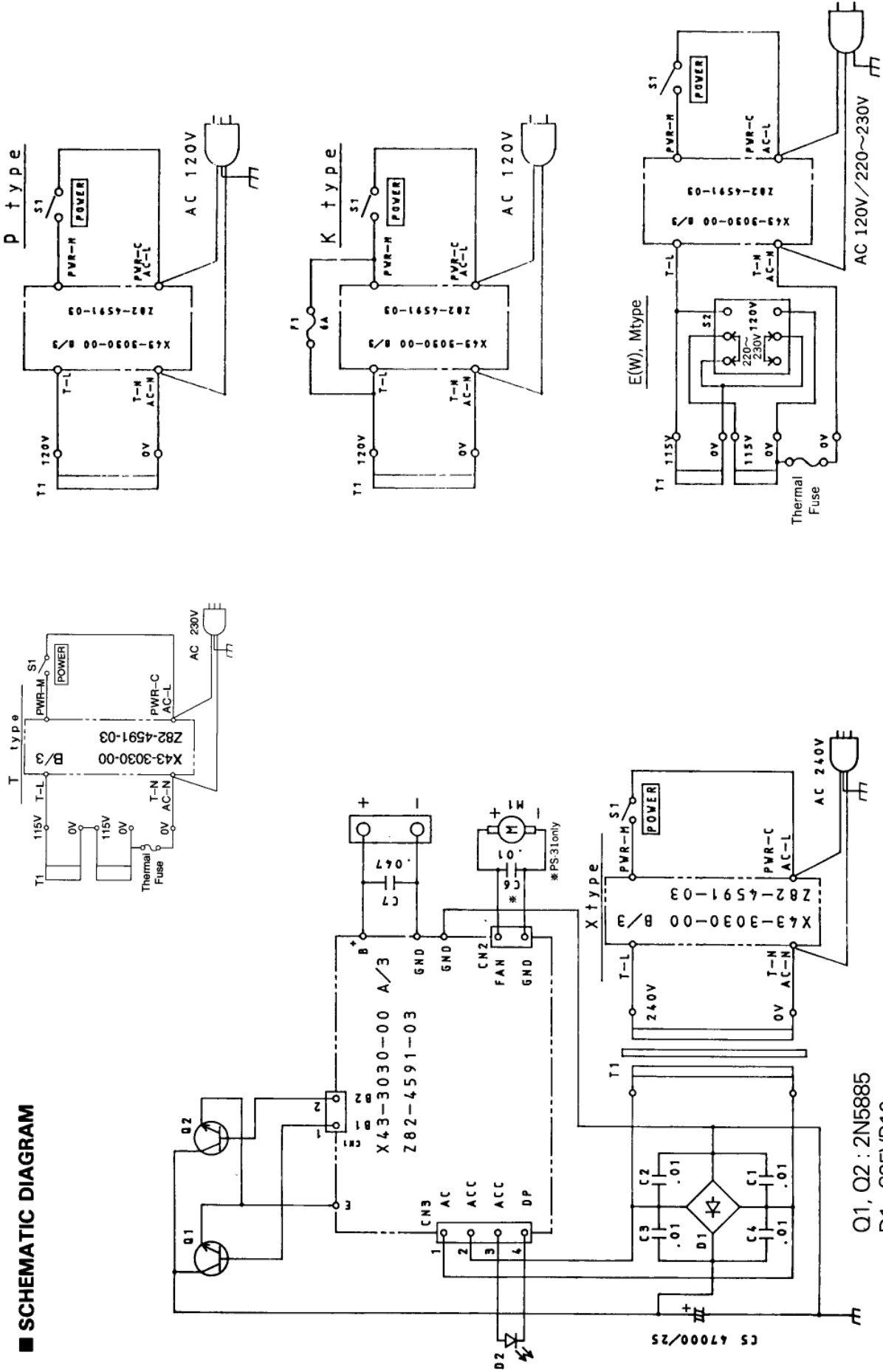
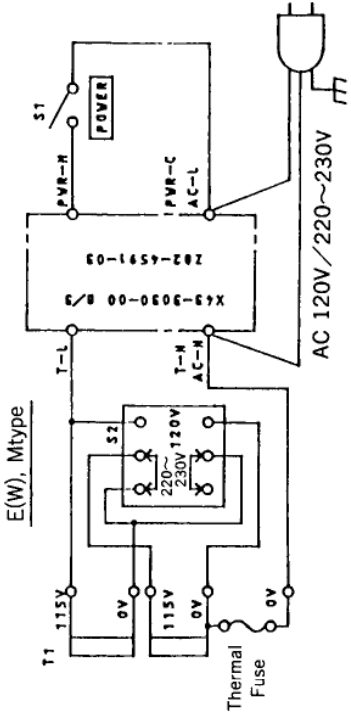
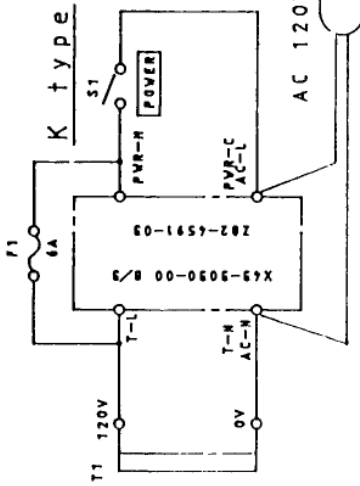
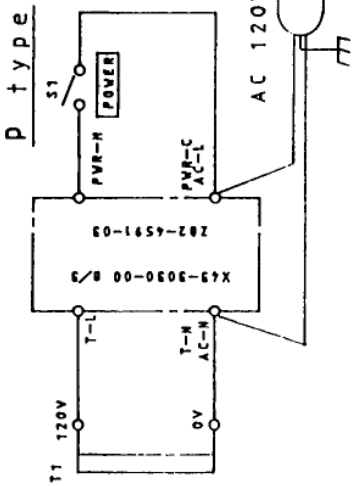


CIRCUIT DIAGRAM

■ SCHEMATIC DIAGRAM

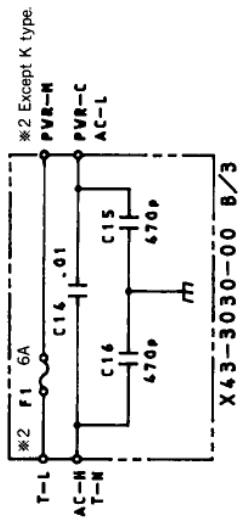


Q1, Q2 : 2N5885
 D1 : S25VB10
 D2 : TLR205



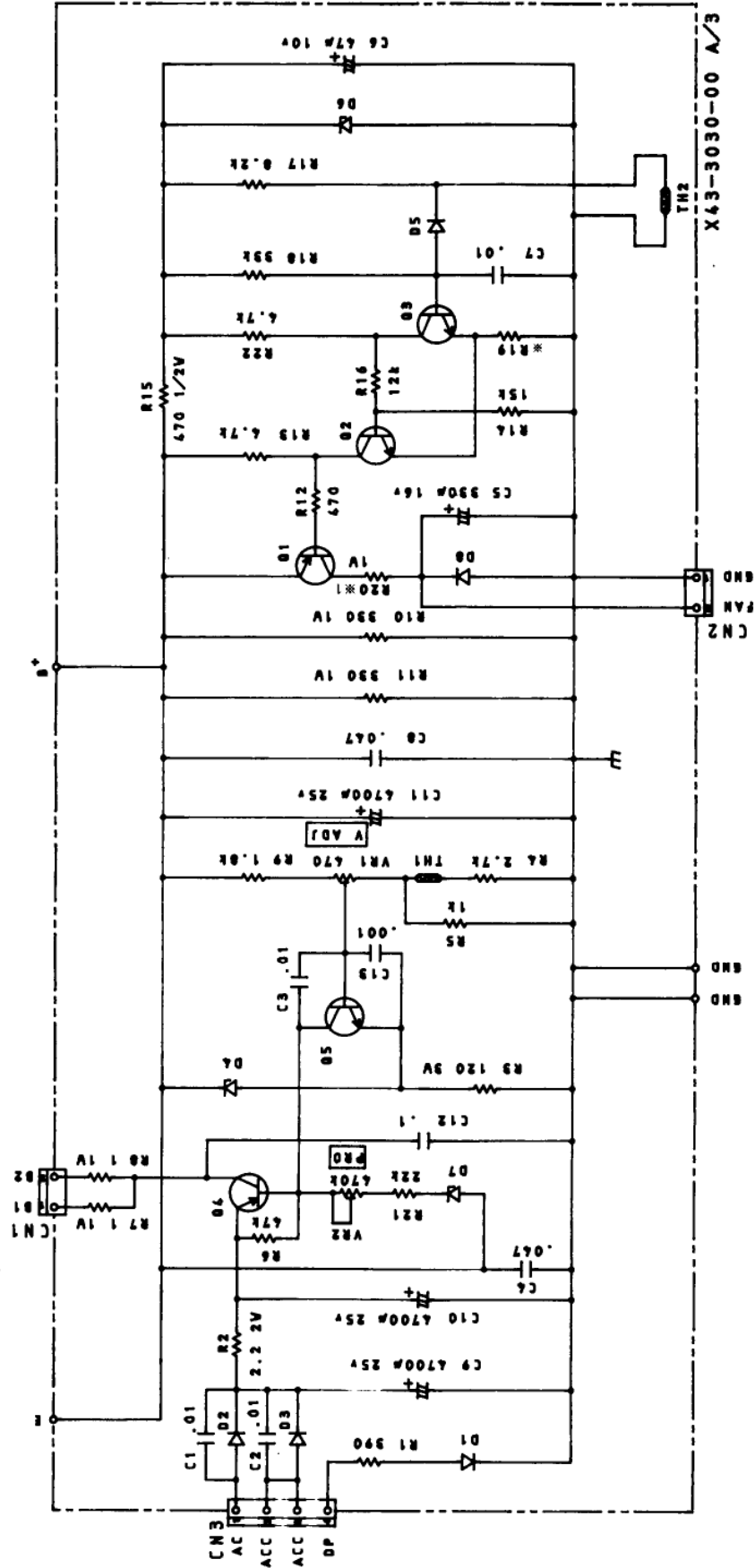
Note:
 Circuit is subject to change without notice due to advancement in technology.

■ AVR UNIT (X43-3030-00)



*1

PS-31	PS-52
R19 6.8K	3.9K
R20 150	82



X43-3030-00 A/3

- 01: 2SA562 (Y)
- 02: 03, 05: 2SC245B (Y)
- Q4: 2SB941 (Q)
- D1, 5, 0: 1S1555
- 02, 3: D5A8A1
- D4, 6: U29.18L
- D7: U2158H
- TN1: 92D27
- TN2: 5TP61L

Note:
 Circuit is subject to change without notice due to advancement in technology.

PS-52 (DC POWER SUPPLY)

