

SW-200/2000 SPECIFICATIONS

Coupler section (Accessories)

		SW-200A	SW-200B	SW-2000	
Model		SWC-1	SWC-2	SWC-3	
Impedance		50-52Ω			
Frequency range		1.8-150MHz	140-450MHz	1.8-54MHz	
Overload	AM/FM	200W	100W	HF 1KW	VHF 300W
	CW	300W	150W	1.5KW	450W
	PEP	400W	200W	2KW	600W
Insertion loss		Less than 0.3dB	Less than 0.5dB	Less than 0.3dB	
Residual SWR		Within 1.2			
Connector		M type (SO-239)			
Detector cable length		Approx. 1.5m			
Dimensions () : Inch		W 68 (2.68),	H 32 (1.26),	D 52 (2.05)	
Weight		Approx. 260g (0.6lbs)			

Display section

		SW-200A	SW-200B	SW-2000
Power measurement range	FWD	0-20, 200W		0-200, 2000W
	REF	0-10, 100W		0-100, 1000W
Power measurement accuracy (Full scale)		±10%		1.8-30MHz±10% 50-54MHz-15%
Power measurement mode		AVG, PEP		
SWR measurement range		1 : 1-1 : 10		
Minimum power for SWR measurement		Approx. 3W		Approx. 30W
Coupler connection and display		<ul style="list-style-type: none"> • Arbitrary coupler SWC-1,2,3 3-units connectable (SW-2000) • Arbitrary coupler SWC-1.2 3-units connectable (SW-200A,B) • 3-couplers switchable and display 		
Power consumption		11V-15V DC, MAX 100mA (PEP measurement and meter lamp only)		
Dimensions () : Inch		W 196 (7.72),	H 63 (2.48),	D 78 (3.07)
Weight		Approx. 650g (1.4 lbs)		
Accessories		Red/black DC power cable (1m)		

SW-200/2000 PARTS LIST

Part No.	Re- marks	Description	Ref. No.	Q'ty
LM-358N		OP IC	IC201	1
TLR205		LED (Red)	D301-304	4
1K261		Ge diode	D1,2	2
1S1588		Si diode	D3,101	2
B07-0644-08	N	Meter cover SW-200		1
B07-0648-08	N	Meter cover SW-2000		1
B30-0830-08	N	Lamp	LAMP1,2	2
B31-0646-08	N	Meter ass'y SW-200		1
B31-0647-08	N	Meter ass'y SW-2000		1
B50-4045-08	N	Instruction manual SW-200		1
B50-4090-08	N	Instruction manual SW-2000		1
E03-0157-08	N	Power jack	CN101	1
E06-0553-08	N	5P DIN socket	CN102-104	3
E30-1736-08	N	DC cable Accessory		1
G09-0410-05		D-spring (CAL,COUPLER)		2
K23-0721-04		Knob (CAL,COUPLER)		2
R01-4412-08	N	Pot. 50kΩ(B)	VR1	1
S29-1431-08	N	Rotary switch (COUPLER) SW-200	S1	1
S29-2408-08	N	Rotary switch (COUPLER) SW-2000	S1	1
S33-2404-08	N	Lever switch	S202-204	3
S33-4401-08	N	Slide switch (Rear panel) SW-2000	S401-403	3
S33-4403-08	N	Lever switch (POW-CAL-SWR)	S201	1

SW-200/2000

SW-200/2000 ADJUSTMENT

Power meter adjustment

- Apply a DC voltage which is the same as the output voltage of the coupler and adjust the power meter reading.

Preparation

- Coupler selector A
- Coupler switch SWC-3 side (For SW-2000 only)
- PEP/AVG switch AVG

Measuring instruments

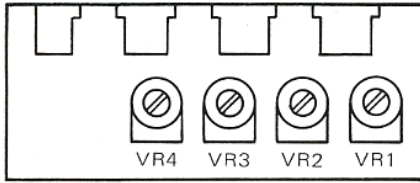
- Voltmeter Digital Voltmeter
- DC variable power supply 0-12V DC

() : SW-2000

Power range (W)		Condition		Adjustment		Specification		
		Set voltage (V)		Part	Method			
FWD	20 (200)	<p>Coupler A terminal</p> <p>V: Digital voltmeter</p> <p>DC variable power supply</p>	Vf: 2.35 (2.35)	VR1	Full scale	Within ±5%*		
			Vf: 1.61 (1.61)		Check			10 (100) W
	200 (2K)		Vf: 7.80 (10.12)	VR2	Full scale			100 (1K) W
			Vf: 5.45 (6.91)		Check			
REF	10 (100)	<p>DC variable power supply</p>	Vr: 1.58 (1.35)	VR3	Full scale	Within ±5%*		
			Vr: 1.09 (0.94)		Check			5 (50) W
	100 (1K)		Vr: 5.48 (6.64)	VR4	Full scale			50 (500) W
			Vr: 3.88 (4.70)		Check			

Adjustment parts locations

*If the measured value is not as specified, adjust so the error is within the specified value.



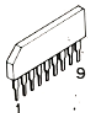
SEL1720Y
SEL1120R



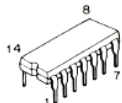
TLR205



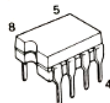
LA3210



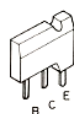
LM358N



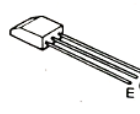
HD14011BP
TC4013BP



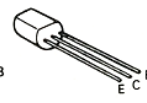
2SD661T/U



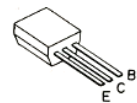
2SC458



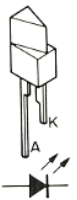
2SA1015
2SC1627
2SC1815



2SA1048



SEL1334G
SEL1334R



MV-13



TRIO-KENWOOD CORPORATION

Shionogi Shibuya Building, 17-5, 2-chome Shibuya, Shibuya-ku, Tokyo 150, Japan

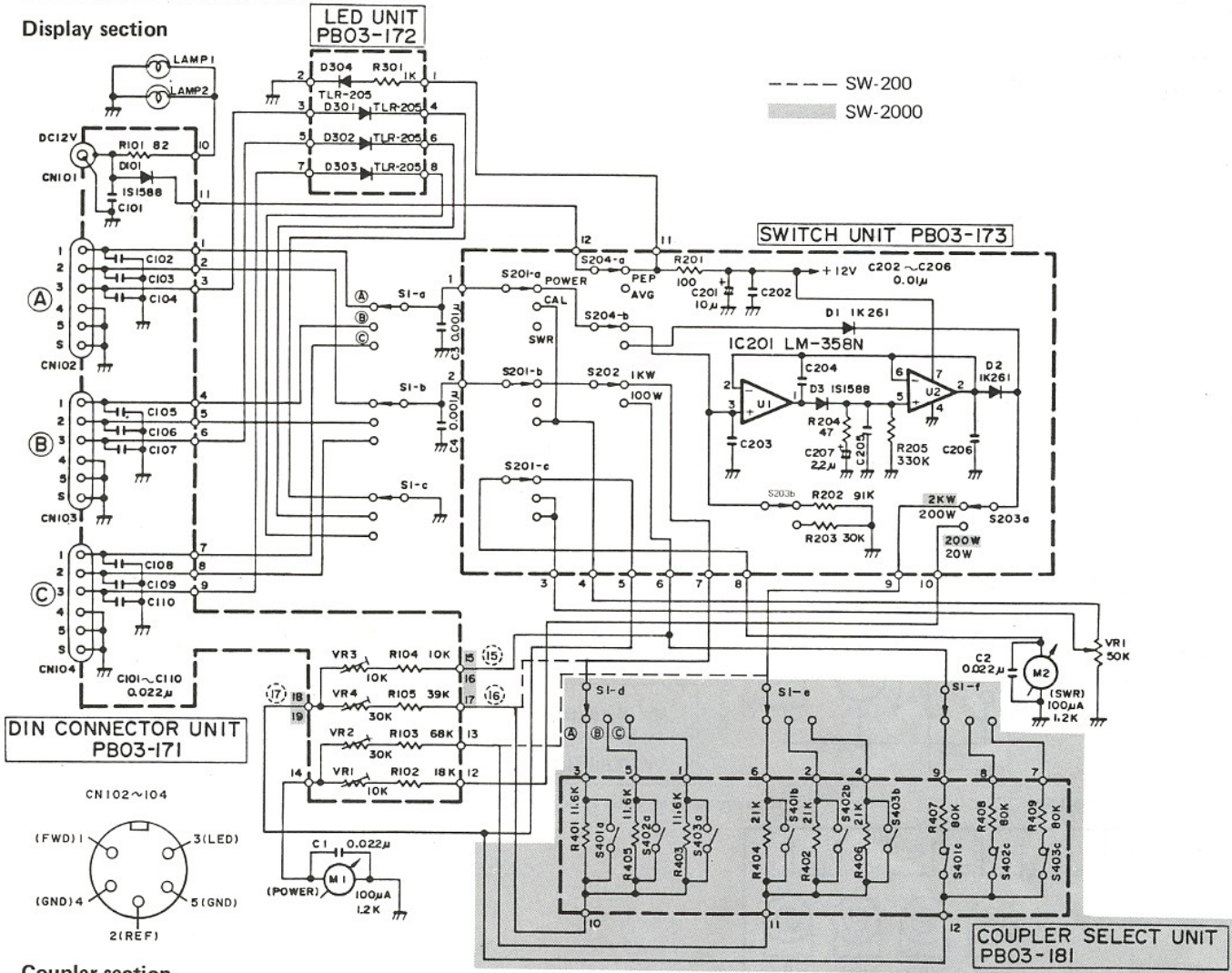
TRIO-KENWOOD COMMUNICATIONS
1111 West Walnut Street, Compton, California 90220, U.S.A.
TRIO-KENWOOD COMMUNICATIONS, GmbH
D-6374 Steinbach-TS, Industriestrasse, 8A West Germany

TRIO-KENWOOD ELECTRONICS, N.V.
Leuvensesteenweg 504 B-1930 Zaventem, Belgium

TRIO-KENWOOD (AUSTRALIA) PTY. LTD. (INCORPORATED IN N.S.W.)
4E Woodcock Place, Lane Cove, N.S.W. 2066, Australia

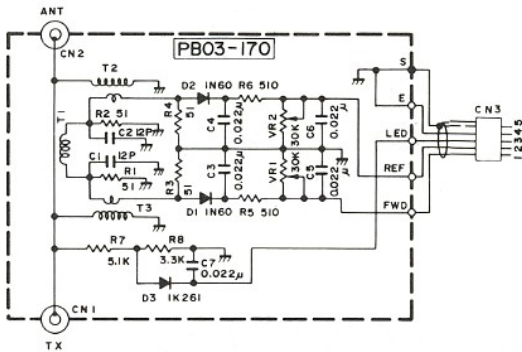
SW-200/2000 SCHEMATIC DIAGRAM

Display section

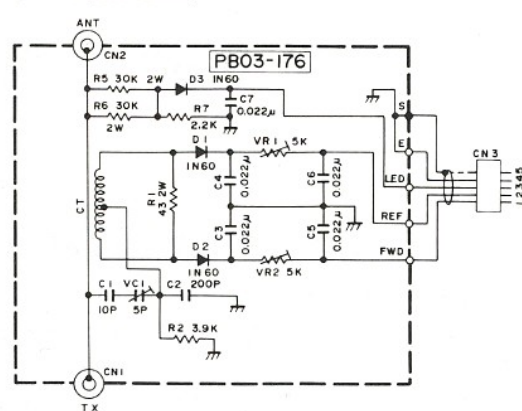


Coupler section

SWC-1 (SW-200A)



SWC-3 (SW-2000)



SWC-2 (SW-200B)

