

KENWOOD

# SWC-1, SWC-2, SWC-3

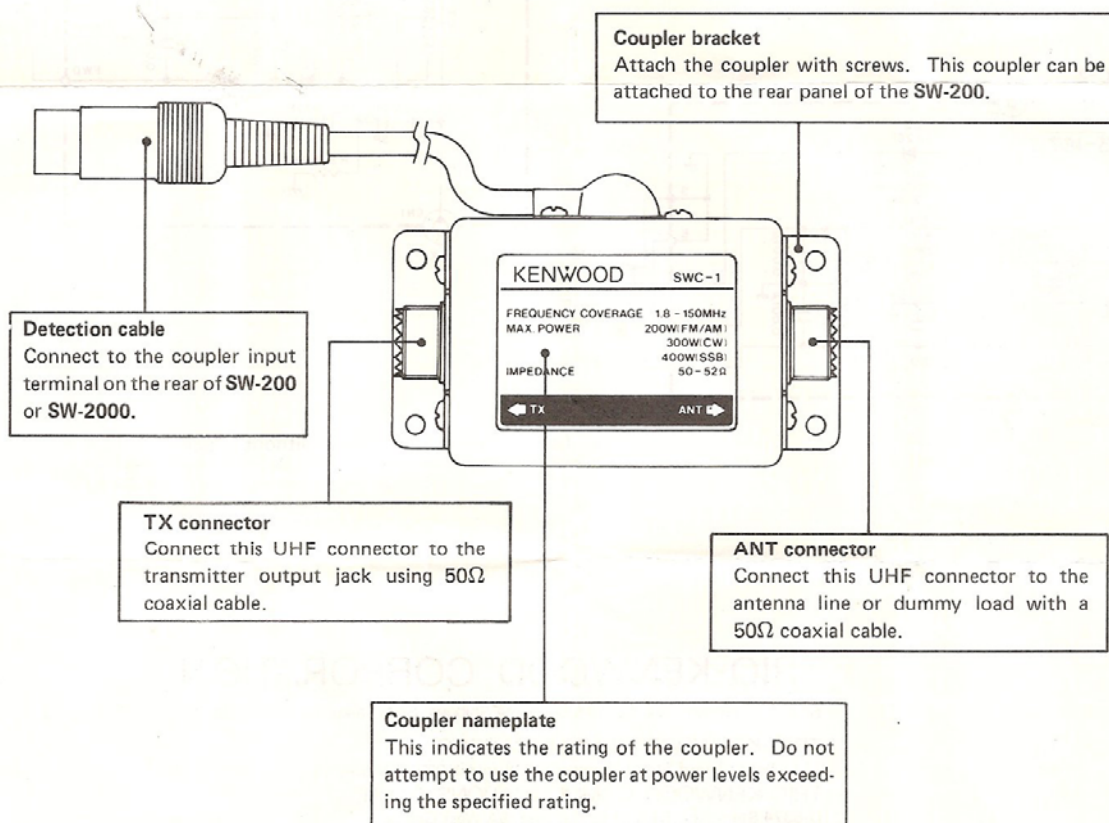
## DIRECTIONAL COUPLER

### ■ Outline

- The SW-200 and SW-2000 are detector assemblies (directional couplers) for use in conjunction with SWR/POWER meters.
- Since both toroidal directional coupler (SWC-1, SWC-3) and a strip-line directional couplers (SWC-2) are available, high sensitivity and flat output are assured. When a directional coupler is connected to either the Model SW-200 or SW-2000, the power and SWR can be read without any calibration or calculation.
- When the SWC-1 or SWC-2 is connected to the SW-200, the SWR and POWER up to 200W at 1.8 MHz – 450 MHz can be measured from 3 antenna systems. When an SWC-3 is connected to an SW-2000, SWR and POWER up to 2000W can be measured from 3 antenna systems.

- Names and Functions of the components and connections
- Connect the TX terminal (UHF connector) to the output jack of the transmitter and the ANT terminal (UHF connector) to the antenna or dummy load with a 50Ω coaxial cable. When an antenna tuner is used, connect it between the coupler and antenna. Always use 50Ω coaxial cable and terminate it with high quality UHF-type connectors. Especially when using the SWC-2 (140 – 450 MHz), a poor connection will result in gross measuring errors. Always use heavy, quality coaxial cable.
- Connect the detection output cable to the coupler input terminal at the rear of the SW-200.
- For operation, refer to the SW-200 Instruction Manual.

Downloaded by  
RadioAmateur.EU

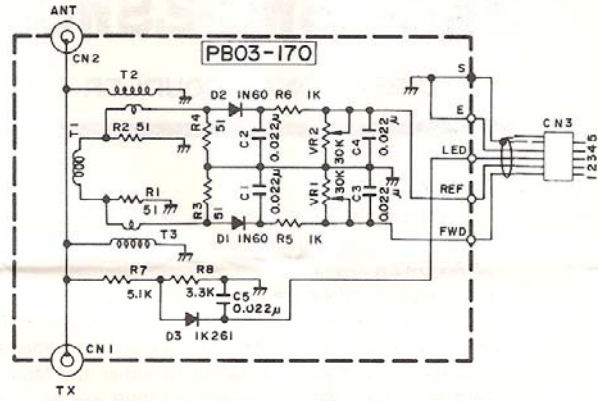


■ Specifications

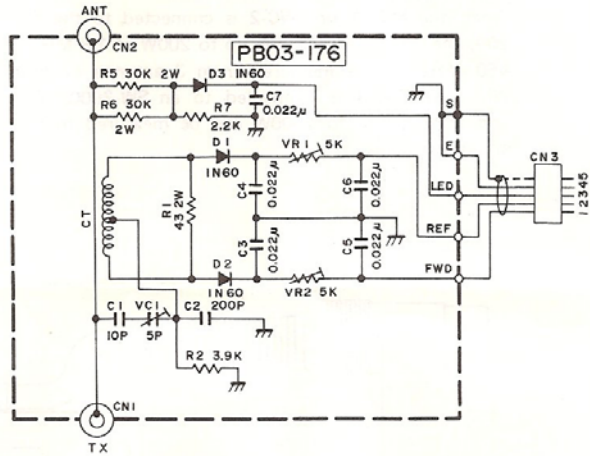
Item	SWC-1	SWC-2	SWC-3
Impedance	50 – 52Ω	50 – 52Ω	50 – 52Ω
Frequency range	1.8 – 150 MHz	140 – 450 MHz	1.8 – 54 MHz
Feed through power overload	(AM/FM) 200W (CW) 300W (PEP) 400W	100W 150W 200W	HF VHF 1000W 300W 1500W 450W 2000W 600W
Insertion loss	Less than 0.3dB	Less than 0.5dB	Less than 0.3dB
Residual SWR	Within 1.2	Within 1.2	Within 1.2
Connector	M type (SO-239)	M type (SO-239)	M type (SO-239)
Detection cable length	Approx. 1.5m	Approx. 1.5m	Approx. 1.5m
Dimensions ( ) including projecting part	60(W) x 32(H) x 50(D) mm (92) (33) (62)		
Weight	260 g.		

■ Schematic Diagram

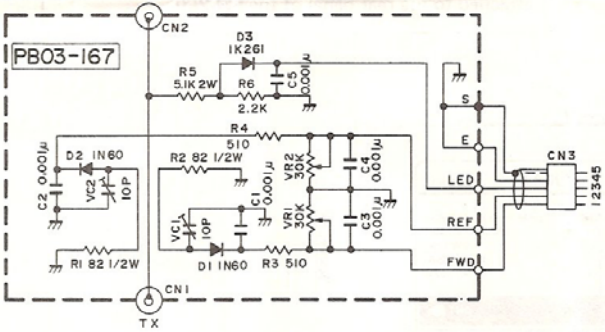
● SWC-1



● SWC-3



● SWC-2



Specifications are subject change without notice.

**Downloaded by  
RadioAmateur.EU**

**TRIO-KENWOOD CORPORATION**

Shionogi Shibuya Building 17-5, 2-chome Shibuya, Shibuya-ku, Tokyo 150, Japan

TRIO-KENWOOD COMMUNICATIONS

1111 West Walnut Street, Compton, California 90220.U.S.A.

TRIO-KENWOOD COMMUNICATIONS, GmbH

D-6374 Steinbach-TS, Industriestrasse, 8A West Germany

TRIO-KENWOOD ELECTRONICS, N.V.

Leuvensesteenweg 504 B-1930 Zaventem, Belgium

TRIO-KENWOOD (AUSTRALIA) PTY. LTD. (INCORPORATED IN NSW)

4E Woodcock Place, Lane Cove, N.S.W. 2066, Australia

PRINTED IN JAPAN