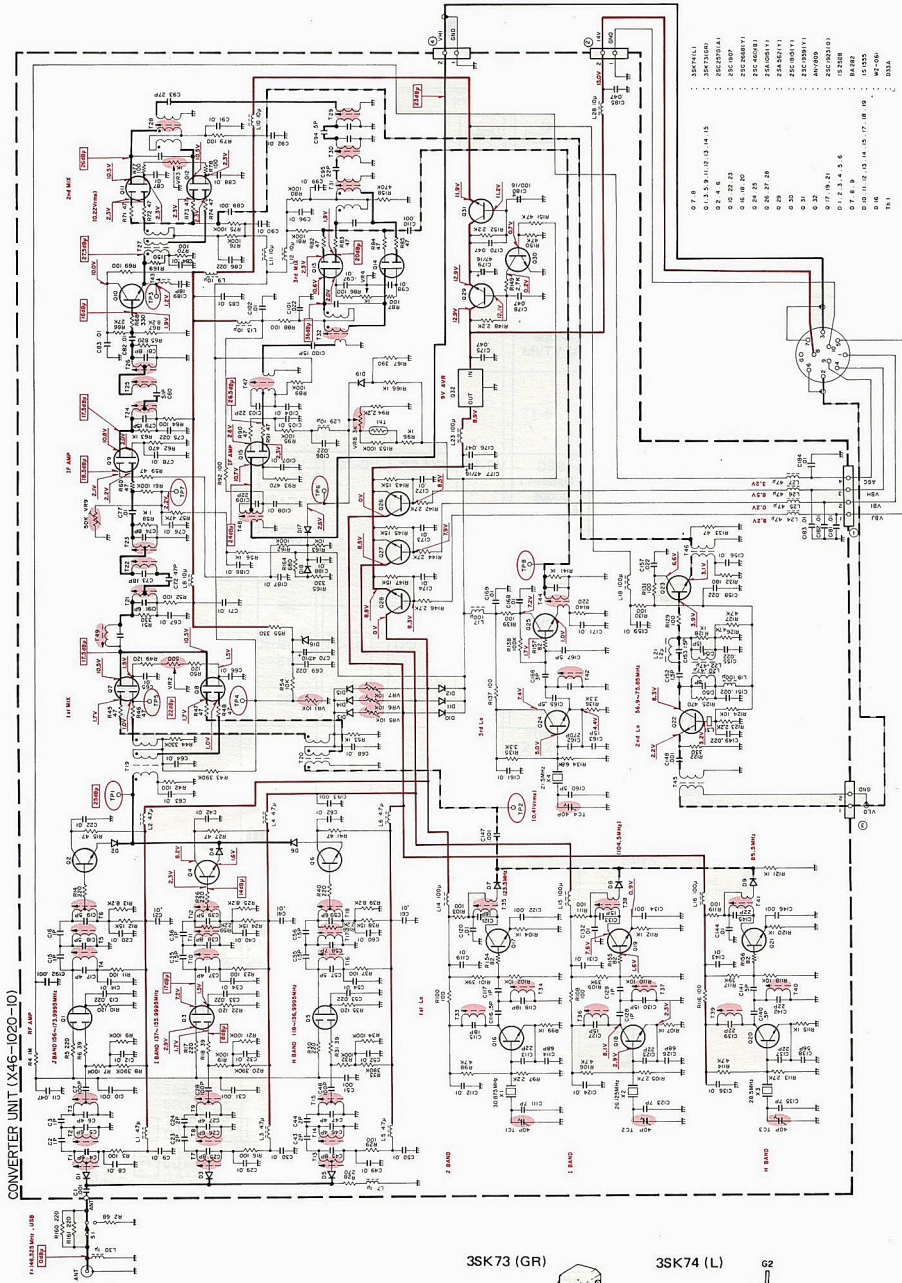


# VC-10

○ : Test Point  
○ : Adjust Point  
— : Signal Line  
- - - : Control Line  
— : Common DC Line



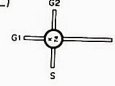
CONVERTER UNIT (X46-020-10)

07.8	15074(1)
01.15, 9, 11, 12, 13, 14, 15	15073(100)
01.15, 16, 17, 18, 19	15072(100)
01.15, 20, 21	15071(100)
01.15, 22, 23	15070(100)
01.15, 24, 25	15069(100)
01.15, 26, 27, 28	15068(100)
01.15, 29, 30	15067(100)
01.15, 31, 32, 33	15066(100)
01.15, 34, 35	15065(100)
01.15, 36, 37, 38	15064(100)
01.15, 39, 40	15063(100)
01.15, 41, 42, 43	15062(100)
01.15, 44, 45, 46	15061(100)
01.15, 47, 48, 49	15060(100)
01.15, 50, 51, 52	15059(100)
01.15, 53, 54, 55	15058(100)
01.15, 56, 57, 58, 59	15057(100)
01.15, 60, 61, 62, 63	15056(100)
01.15, 64, 65, 66, 67	15055(100)
01.15, 68, 69, 70, 71	15054(100)
01.15, 72, 73, 74, 75	15053(100)
01.15, 76, 77, 78, 79	15052(100)
01.15, 80, 81, 82, 83	15051(100)
01.15, 84, 85, 86, 87	15050(100)
01.15, 88, 89, 90, 91	15049(100)
01.15, 92, 93, 94, 95	15048(100)
01.15, 96, 97, 98, 99	15047(100)
01.15, 100	15046(100)

35K 73 (GR)



35K 74 (L)



# PC BOARD VIEW

CONVERTER UNIT (X46-1020-10)

[Component Side View]

