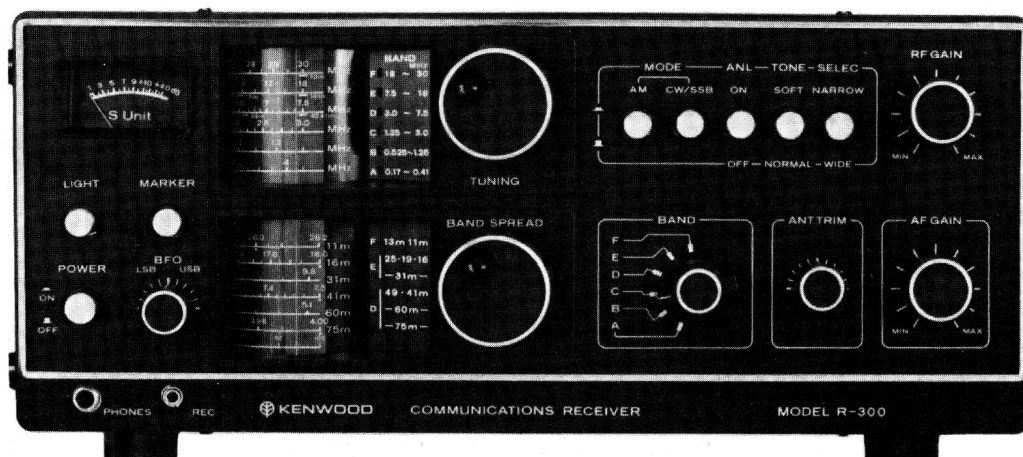


KENWOOD

SERVICE MANUAL

R-300 [Revised]



COMMUNICATIONS RECEIVER

CONTENTS

| | |
|---------------------------------------|-----------|
| SPECIFICATIONS | 3 |
| BLOCK DIAGRAM | 4 |
| FEATURES | 5 |
| CIRCUIT DESCRIPTION | 5 |
| PARTS ALIGNMENT | 8 |
| PRINTED BOARD | 10 |
| PARTS LIST | |
| TOTAL | 13 |
| SWITCH (X41-1090-00) | 14 |
| RF (X44-1100-01) | 14 |
| COIL PACK (X44-1110-00) | 15 |
| IF (X48-1160-00) | 15 |
| AF/PS (X49-1090-00) | 16 |
| MARKER (X53-1060-00) | 16 |
| TROUBLESHOOTING | 17 |
| PACKING | 17 |
| DIAL STRING ARRANGEMENTS | 18 |
| ADJUSTMENTS | 19 |
| SCHEMATIC DIAGRAM | 23 |

- In this service manual, mark K shows the products to U.S.A., W does to Europe for BCL, and W2 does to Europe for HAM.

SPECIFICATIONS

FREQUENCY RANGE

| | |
|---------------|----------------|
| BAND A | 170 ~ 410 kHz |
| BAND B | 525 ~ 1250 kHz |
| BAND C | 1.25 ~ 3.0 MHz |
| BAND D | 3.0 ~ 7.5 MHz |
| BAND E | 7.5 ~ 18.0 MHz |
| BAND F | 18.0 ~ 30 MHz |

BAND SPREAD

(different depending on the destination area)

Short Wave Bands:

| | |
|-------------|-----------------|
| 75 m | 3.82 ~ 4.0 MHz |
| 60 m | 4.75 ~ 5.1 MHz |
| 49 m | 5.9 ~ 6.2 MHz |
| 41 m | 7.0 ~ 7.5 MHz |
| 31 m | 9.4 ~ 9.8 MHz |
| 25 m | 11.7 ~ 12.0 MHz |
| 19 m | 15.0 ~ 15.5 MHz |
| 16 m | 17.6 ~ 18.0 MHz |
| 13 m | 21.4 ~ 21.8 MHz |
| 11 m | 25.6 ~ 26.2 MHz |

Ham Bands:

| | |
|----------------------|---------------|
| 80 m and 75 m | 3.5 ~ 4.0 MHz |
| 40 m | 7 ~ 7.5 MHz |
| 20 m | 14 ~ 14.6 MHz |
| 15 m | 21 ~ 21.5 MHz |
| 10 m | 28 ~ 30 MHz |

MODE

AM, SSB, CW

SENSITIVITY

(S+N)/N, 10 dB at 50mW/8Ω

AM SSB

| | | |
|------------------------|-----------------|-----------------|
| BAND A 280 kHz | Less than 1μV | Less than 0.3μV |
| BAND B 900 kHz | Less than 1μV | Less than 0.3μV |
| BAND C 2.0 MHz | Less than 1μV | Less than 0.3μV |
| BAND D 5.0 MHz | Less than 1.5μV | Less than 0.5μV |
| BAND E 12.0 MHz | Less than 1.5μV | Less than 0.5μV |
| BAND F 24.0 MHz | Less than 1μV | Less than 0.3μV |

IMAGE RATIO

| | |
|------------------------|-----------------|
| BAND A 280 kHz | More than 65 dB |
| BAND B 900 kHz | More than 50 dB |
| BAND C 2.0 MHz | More than 45 dB |
| BAND D 5.0 MHz | More than 40 dB |
| BAND E 12.0 MHz | More than 25 dB |
| BAND F 24.0 MHz | More than 40 dB |

IF REJECTION

| | |
|------------------------|-----------------|
| BAND A 280 kHz | More than 50 dB |
| BAND B 900 kHz | More than 60 dB |
| BAND C 2.0 MHz | More than 70 dB |
| BAND D 5.0 MHz | More than 70 dB |
| BAND E 12.0 MHz | More than 70 dB |
| BAND F 24.0 MHz | More than 70 dB |

SELECTIVITY

| | |
|---------------|----------------------------|
| Narrow | More than 2.5 kHz at -6 dB |
| | Less than 12 kHz at -60 dB |
| Wide | More than 5 kHz at -6 dB |
| | Less than 17 kHz at -60 dB |

AUDIO OUTPUT

1.5W at 8Ω load (10% distortion)

ANTENNA IMPEDANCE

50 ~ 75Ω

AUDIO OUTPUT IMPEDANCE

4 to 8 ohms

POWER REQUIREMENTS

AC 117/220V

DC 12 ~ 16V (13.8V as reference)

POWER CONSUMPTION

8W (AC 117/220V)

4.1W (DC 13.8V)

6.9W (DC 13.8V, LIGHT switch ON condition)

SEMICONDUCTOR COMPLEMENT

4 FET's

21 Transistors

24 Diodes

DIMENSIONS

W (362 mm) 14-1/4"

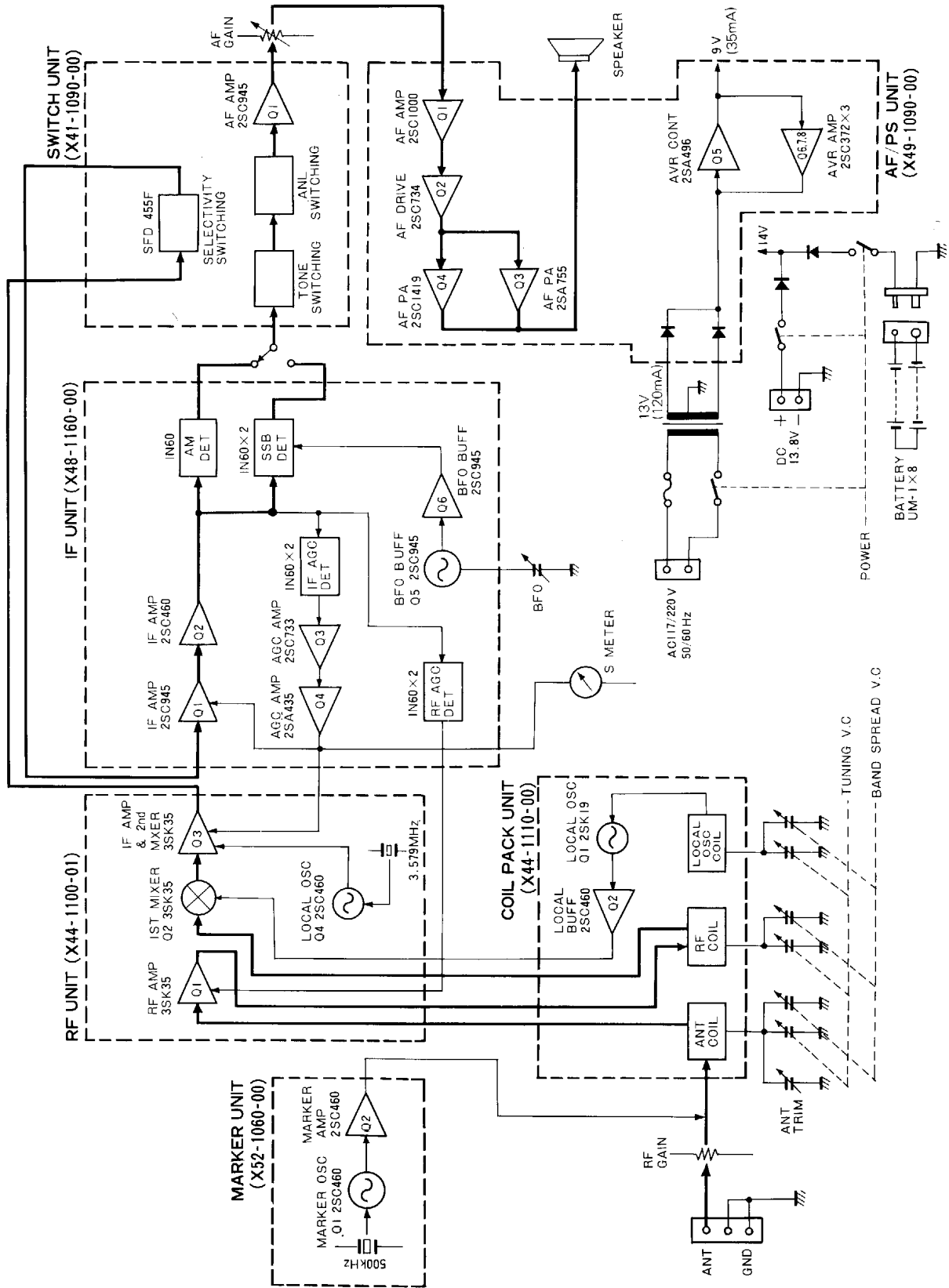
H (163 mm) 6-7/16"

D (322 mm) 12-11/16"

WEIGHT

7.6 kg (16.7 lbs.)

BLOCK DIAGRAM



FEATURES/CIRCUIT DESCRIPTION

FEATURES

1. This is a communications receiver exclusively designed for BCL and HAM radio.
2. In order to facilitate both fixed and mobile operation, it is designed to operate on the AC commercial source, internal battery, and external DC source.
3. A frequency range from 525 kHz to 30 MHz is continuously covered. Single conversion is effected for 525 kHz ~ 18 MHz, and double conversion for 18 MHz ~ 30 MHz.
4. AM, CW, and SSB reception is possible. A variable BFO incorporated is available for CW and SSB.
5. Selectivity is chosen by WIDE/NARROW selector switch. A ceramic filter is adopted.
6. With a built-in 500 kHz marker unit, scale correction is possible for every 500 kHz.
7. Recording in combination with a tape recorder is possible through RECORDING terminal.
8. The tuning dial employs a flywheel to improve operational feeling.
9. A 10cm speaker is incorporated. A terminal for an external speaker is also provided.
10. Meter and dial lamps are always lit when operating on the AC source. In DC operation, they are lit only if LIGHT switch is depressed.

CIRCUIT DESCRIPTIONS

1. Configuration of R-300

R-300 is a all solid-state communications receiver for the reception of AM, CW, and SSB waves. The frequency range of 170 kHz ~ 30 MHz is divided into 6 bands. MOS type dual gate FET's 3SK35 are used for the RF amplifier and mixer. Employing double conversion arrangement for the F band, reception is very stable against cross modulation and image frequency interference.

The whole circuit is composed of a coil pack unit with a local oscillator, RF unit, IF unit, AF and stabilized source unit, and marker unit arranged into 5 printed circuit boards. The following descriptions are given according to the flow of signals in the block diagram.

2. RF Amplifier (RF unit and coil pack unit)

The antenna input passes through the RF and GAIN volume control and enters the antenna coil tap. In the antenna tuning circuit, the coil is split into sections for 6 bands and tuning is effected with main-tuning variable capacitor, band spread variable capacitor, and antenna trimmer. Input impedance ranges from 50 to 75 ohms.

The signal is received at the first gate of MOS type dual gate field effect transistor (FET 3SK35), where high-frequency amplification is performed. FET 3SK35 has a small feed-back capacity of 0.02pF. Due to the effect of R_2 , R_6 , and R_8 , the signal is amplified stably and fed to

the RF coil. AGC voltage taken out of the IF detector stage is applied to the second gate of 3SK35 for gain control.

3. Diode Switch for Output Tuning Circuit Selection and Mixer (RF unit)

The signal from the RF amplifier is applied to the first gate of 3SK35 and mixed with the local oscillation signal of the second gate. The differential mixer output is converted into an IF signal of 455 kHz for the A ~ E bands, or into that of 4.034 MHz for the F band. The MOS type dual gate FET is stable against cross modulation due to excessive input or deviation by local oscillation. In particular it offers an excellent characteristic when used for a mixer.

Switching over between 455 kHz IFT and 4.034 MHz IFT is effected by the aid of a diode switch comprising $D1 \sim 4$ and this switch is actuated in conjunction with the band selector switch. In 455 kHz setting for bands A ~ E, current from the 9V source flows through the 2 routes, $R15 \rightarrow T1 \rightarrow D1 \rightarrow 3SK35$ and $R15 \rightarrow T1 \rightarrow D3 \rightarrow L1 \rightarrow R17$. Thus $D1$ and $D3$ are turned on and the 455 kHz output is obtained through $3SK35 \rightarrow D1 \rightarrow T1 \rightarrow D3 \rightarrow C11$. In setting for band F, $D2$ and $D4$ are turned on and the 4.034 MHz output is obtained through $3SK35 \rightarrow D2 \rightarrow T2 \rightarrow D4 \rightarrow C11$.

4. Local Oscillator (coil pack)

In order to achieve stabilized oscillation in a wide frequency range from 625 kHz to 34.034 MHz, the local oscillator circuit of R-300 employs a Hartley circuit of drain-grounded FET 2SK19. To secure a stabilized oscillation of the F band, an oscillator circuit is incorporated in the coil pack. To reduce unwanted influence from the mixer circuit, an emitter-follower type buffer circuit of 2SC460 is provided. The oscillating frequencies are 455 kHz higher than the received frequencies of the A ~ E bands, and 4.034 MHz higher than the received frequency of the F band, as specified below:

| | | | |
|---|-------------------|---|---------------------|
| A | 0.625 ~ 0.865 MHz | D | 3.455 ~ 7.955 MHz |
| B | 0.98 ~ 1.705 MHz | E | 7.955 ~ 18.455 MHz |
| C | 1.705 ~ 3.455 MHz | F | 22.034 ~ 34.034 MHz |

5. Second Mixer/IF AMP and F-band Conversion Crystal Oscillator (RF unit)

Signals converted into 455 kHz and 4.034 MHz enter the first gate of Q3 3SK35. This stage functions as an IF amplifier of 455 kHz for the A ~ E bands, while for the F band it functions as a 455 kHz mixer and the signal is mixed with a conversion signal of 3.579 MHz injected in the second gate. A mechanical filter is used for the output tuning circuit to obtain high selectivity.

Since the operating point of the 455 kHz IF amplifier

CIRCUIT DESCRIPTION

is different from the bias point of the second mixer, a diode switch of D5 and D6 is used for interlocked operation with the band switch. When used as an IF amplifier, no voltage is applied to D5 which is therefore turned off. This AGC voltage is applied through D6 for gain control. During operation as a second mixer, a voltage higher than AGC voltage is applied through D5 to FET as a fixed bias. At that time D6 is turned off and AGC voltage is not applied to the mixer.

Q4 2SC460 is a second local oscillator for the double conversion in the F band only. A 3.579 MHz crystal oscillator is employed in this circuit. Output from the output coil is divided by C18 and C19, and is supplied to the second gate of the second mixer.

6. IF Amplifier (IF unit)

The 455 kHz IF amplifier contains 2 amplifier stages of 2SC945. The first stage receives an AGC voltage for gain control. Selectivity for a signal is almost settled in the IF circuit. To obtain a required selectivity, R-300 employs an ON-OFF switch to add or remove the ceramic filter. Selectivity (6 dB band) is 5 kHz in WIDE and 2.5 kHz in NARROW setting.

7. AGC Amplifier (IF unit) and S Meter Circuit

An IF signal from the collector of IF amplifier Q2 is applied to the voltage-double detector circuit of D6 and D7 through C15. This output is amplified at Q3 2SC733 and Q4 2SA495, and fed to the IF amplifier as AGC (automatic gain control) voltage. A signal from the collector of IF amplifier Q2 passes through C11 and is voltage-doubled and detected at D4 and D5. This output is applied to the RF amplifier as AGC voltage so that the amplifier gain can be controlled in compliance with signal intensity. In the IF-AGC operation, the signal is detected at D6 and D7 and \oplus voltage is applied to the base of Q3. Since collector current flows in Q3 in compliance with the intensity of this voltage, collector voltage of Q3 (and also, base voltage of Q4) is lowered due to the effect of R14, thus resulting in a current flow in Q4. Therefore emitter voltage of Q4 (this is AGC voltage and is also used as bias voltage for the IF amplifier) is lowered to reduce the gain in IF amplifier.

In the RF-AGC operation, the signal is detected at D4 and D6 and the obtained \ominus voltage is applied to both ends of R3 which is connected in series with the second gate bias circuit of the RF amplifier. In this way, voltage of the second gate is lowered for gain control.

The S meter is used to measure IF-AGC voltage.

8. AM Detector Circuit and ANL (IF unit)

The AM signal is detected by the diode linear detector circuit. The signal taken from the collector circuit of Q2 in the final IF stage passes through C9 and the \oplus side of

carrier frequency is deleted by diode D3. After passing through the filter consisting of C10 and R28, the obtained envelope is used as a low-frequency signal.

ANL (automatic noise limiter) employs a service diode to be inserted between detector output circuit and low-frequency amplifier. Noise is removed by this diode which is turned on and off by the effect of noise output.

9. CW/SSB Detector and BFO Circuit (IF unit)

The CW and SSB detection employs a balanced detector circuit. The CW/SSB signal supplied to T2 in the final IF stage is mixed with a BFO signal at the balanced detector circuit consisting of T2, D1, D2, R9, and R10, to make up an audio-frequency signal. The balanced detector circuit has a simple but efficient construction which never gives rise to saturation regardless of whether the signal intensity is strong or weak.

The BFO circuit is a base-grounded Colpitts oscillator with a special feature of high capacitance and low inductance. There is a sufficient stability in thermal and drift characteristics, particularly essential in SSB reception. An emitter-follower buffer is connected to the detector circuit for prevention of frequency draw-in and impedance matching. The BFO frequency is adjustable within the range of 455 kHz \pm 3 kHz by BFO pitch control.

10. AF Amplifier (AF/PS unit)

The detected audio-frequency signal passes through the AF-GAIN volume control, is amplified at the AF pre-amplifier of Q1 2SC1000, and enters the AF driver amplifier of Q2 2SC734. Since a push-pull type power amplifier is driven, the collector circuit of Q2 is somewhat complicated. D4 and D5 are used to give a proper bias to Q3 and Q4. Thus an equivalent load resistance is raised to increase the amplification degree of Q2 by the aid of the effect of R10, R11, and C9.

The power amplifier is a so-called complementary OTL which performs series operation of NPN and PNP transistors in terms of DC, and parallel operation in terms of AC. The bases of Q3 and Q4 receive audio-frequency signals in the same phase. Thus, Q4 operates on the \oplus side of the signal and Q3 operates on the \ominus side in a push-pull mode.

11. 9V Stabilized Source (AF/PS unit)

In order to increase operational stability in R-300, all circuits except for the AF power amplifier operate on the 9V stabilized power supply. Voltage of 10 ~ 16V is applied to the emitter of Q5 and a 9V output voltage is obtainable from the collector. If this output voltage deviates from 9V for a certain reason, a voltage deviation component is detected by the error voltage detector circuit consisting of 6V zener diode and a differential amplifier of Q7 and Q8. This component is amplified at Q6 and then applied to the

CIRCUIT DESCRIPTION

base of Q5 in the direction of canceling an output voltage deviation from 9V, thus always maintaining voltage at 9V. VR1 is a volume control for setting the output voltage to 9V. This circuit also functions as a protective circuit to suppress an overcurrent possibly caused by a short-circuit failure in the 9V output circuit.

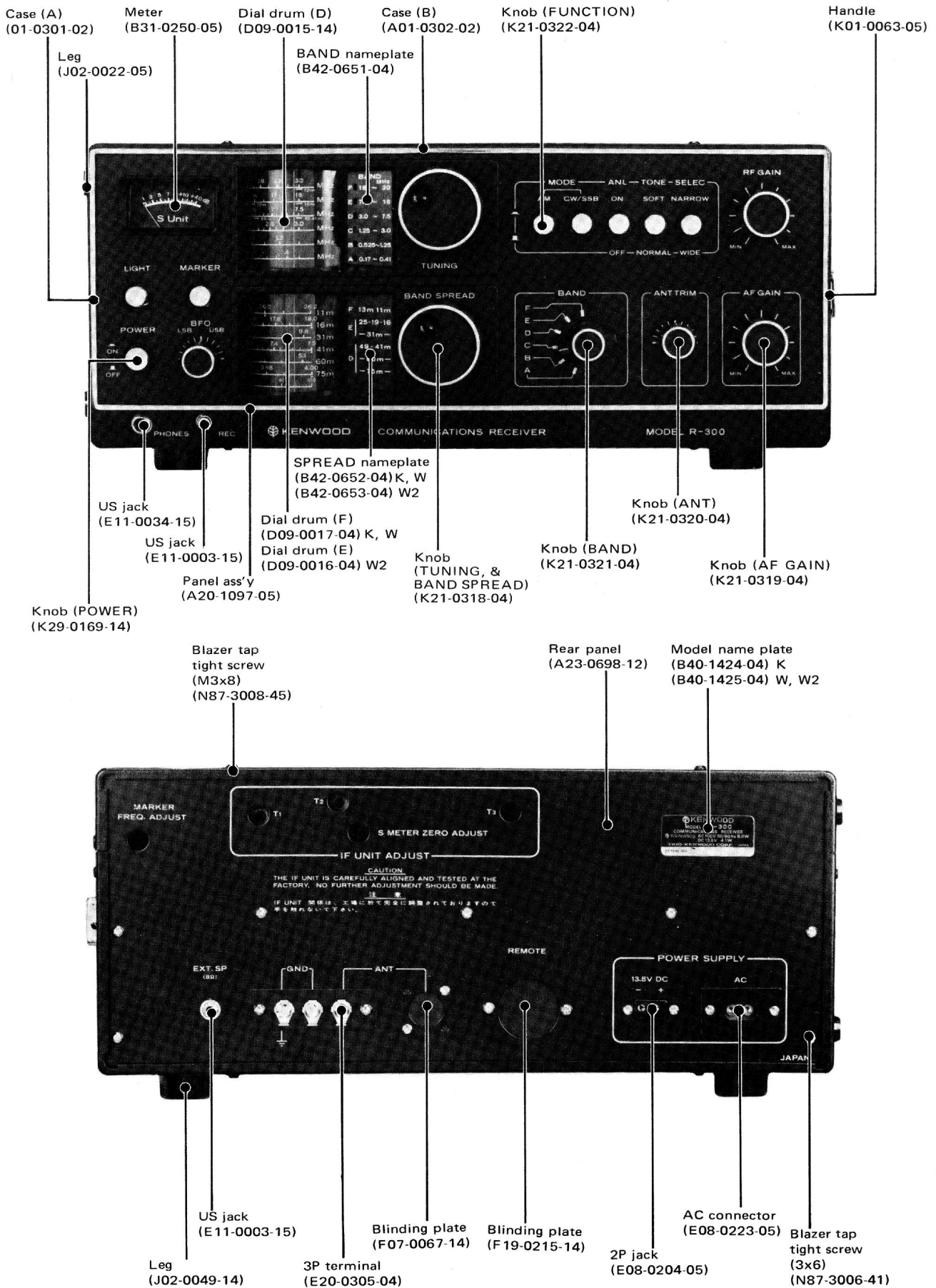
12. Power Circuit and Pilot Lamp Circuit

A step-down power transformer receives power from an AC 100V power source and lowered voltage is fullwave rectified at D1 and D2 of the AF/PS unit. The power supply of 14 ~ 14.5V is then fed to the AF power amplifier and the stabilized power supply circuit. Diodes D1, D2, and D3 in the internal battery circuit, external DC circuit, and B-power supply line are used to prevent the occurrence of short-circuit failure in the power line and for automatic switching over between AC and DC. If an internal battery

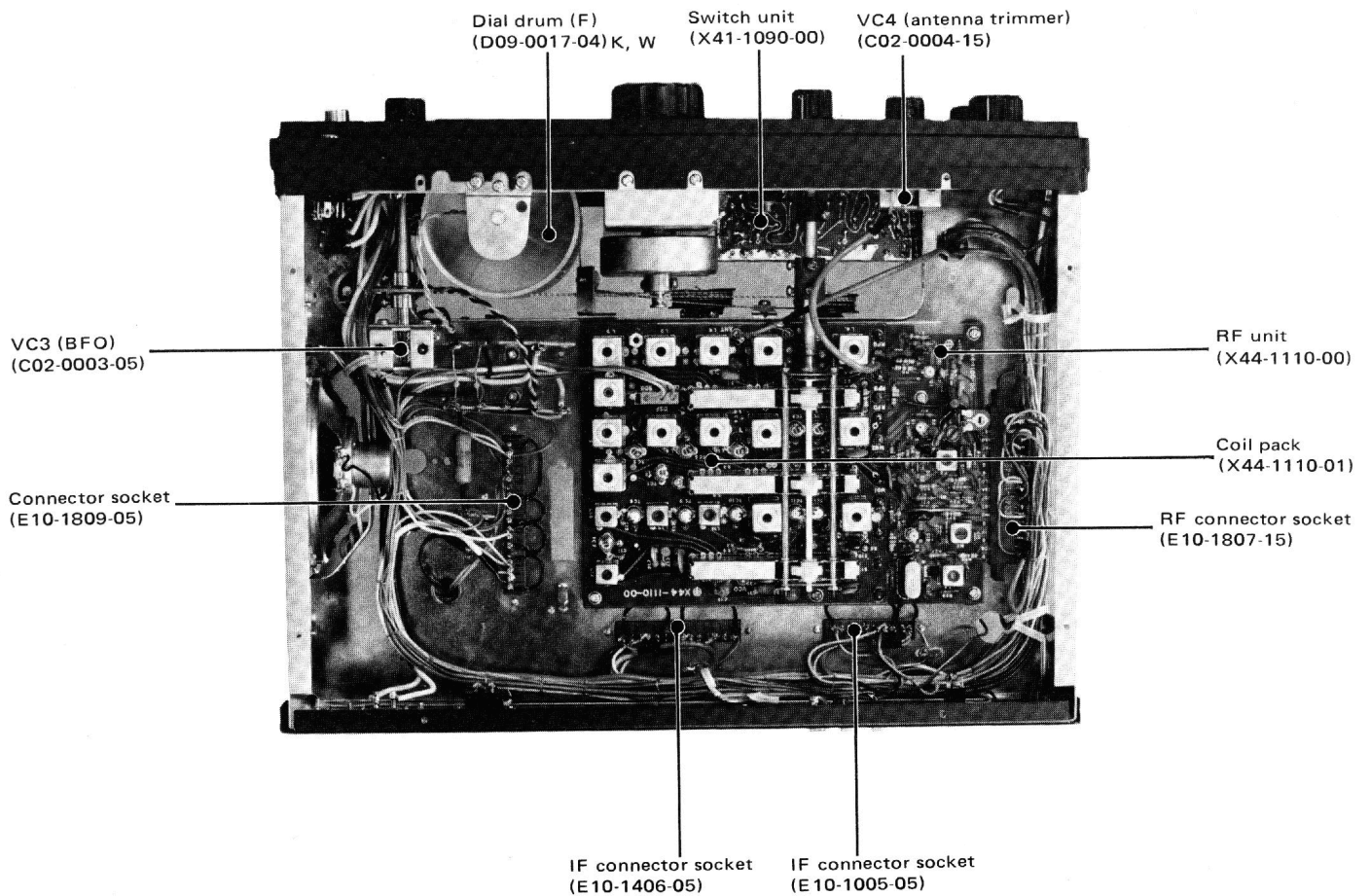
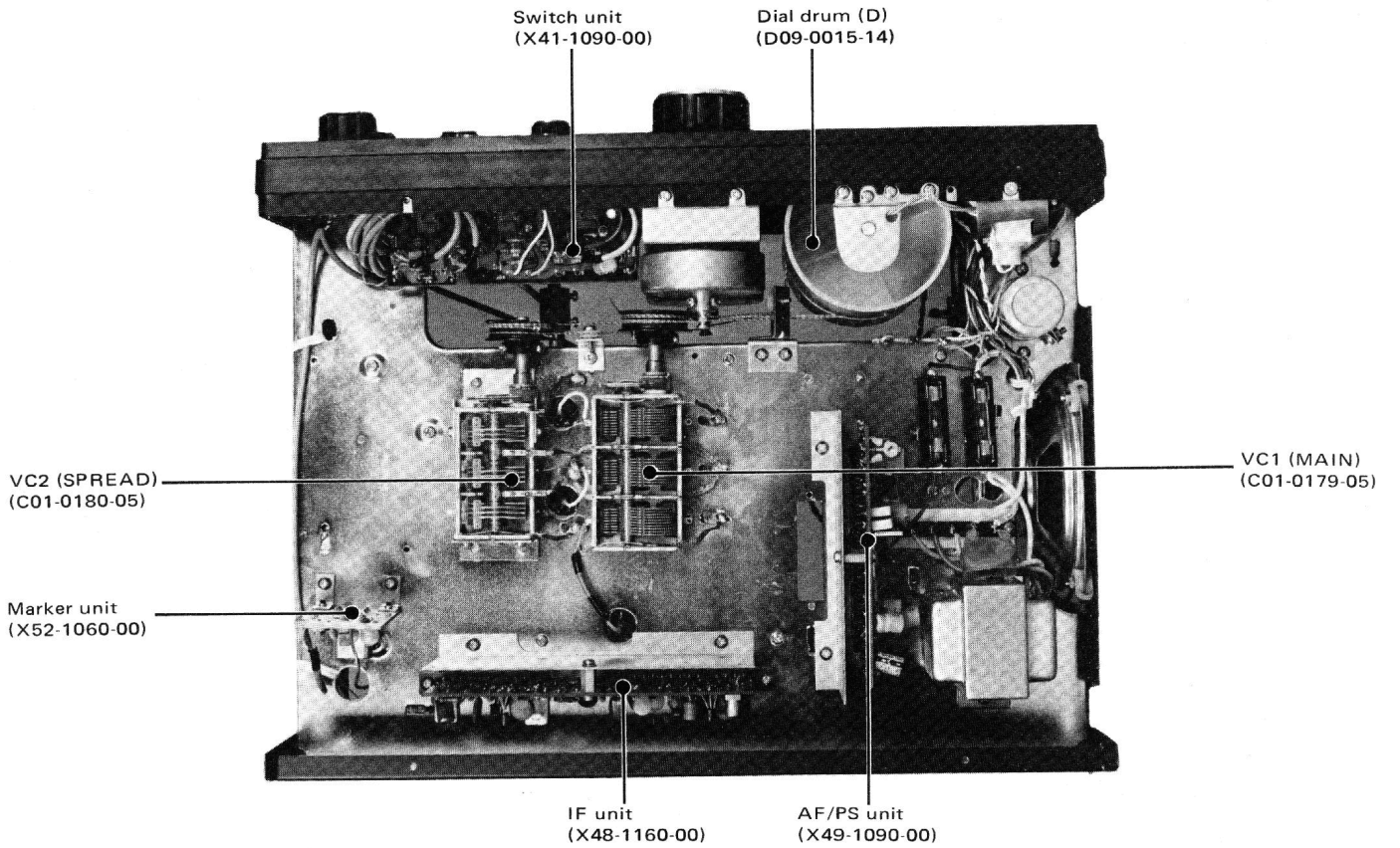
is connected and the set is actuated on the AC source, 14V is applied to the (B) side of D1 and 12V to the (A) side. Thus D1 is turned off due to reverse bias and current does not flow from the battery circuit. If the AC cord is pulled out of the AC source circuit or service interruption occurs, voltage at point (B) disappears and D1 is turned on. In this state the set is actuated on the 12V supply from the internal battery circuit.

Pilot lamps are used for S meter and dial illumination. Since current for the lamps is larger than that to be consumed in the circuits, the lamps are lit only if the associated switch is turned on during operation on battery source. When operated on the external source, these lamps are lit through D2 at normal voltage. However, in operation on the internal battery source, the lamps are lit through R1 to reduce battery consumption by maintaining current at the lowest permissible level.

PARTS ALIGNMENT

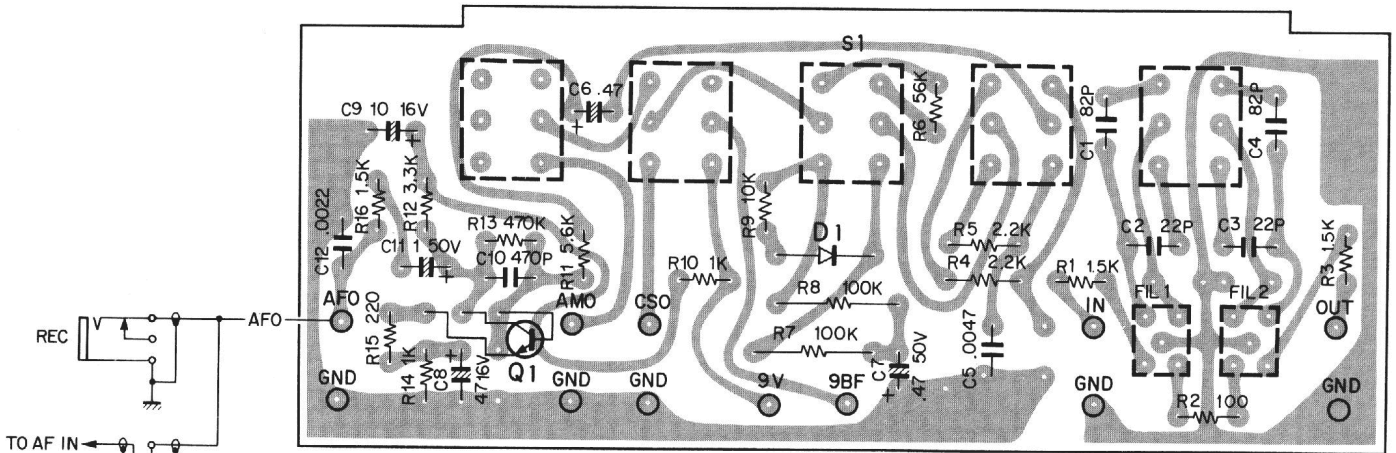


PARTS ALIGNMENT



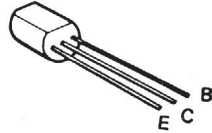
PRINTED BOARD

▼ SWITCH (X41-1090-00)

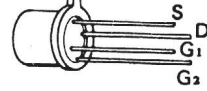


Q1:2SC945 (R), D1:1N60

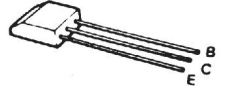
2SC945



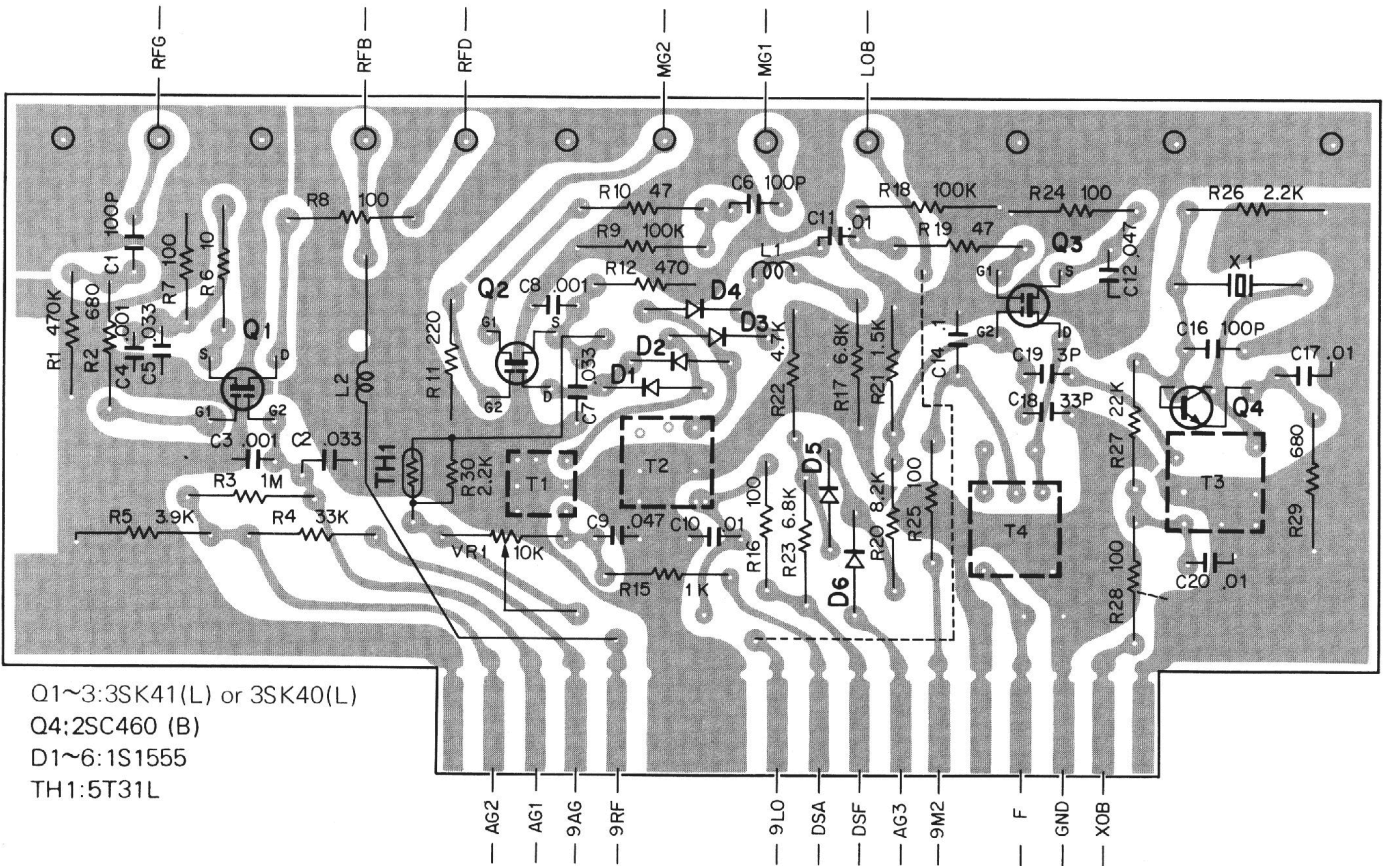
3SK41



2SC460



▼ RF UNIT (X44-1100-01)



Q1~3:3SK41(L) or 3SK40(L)

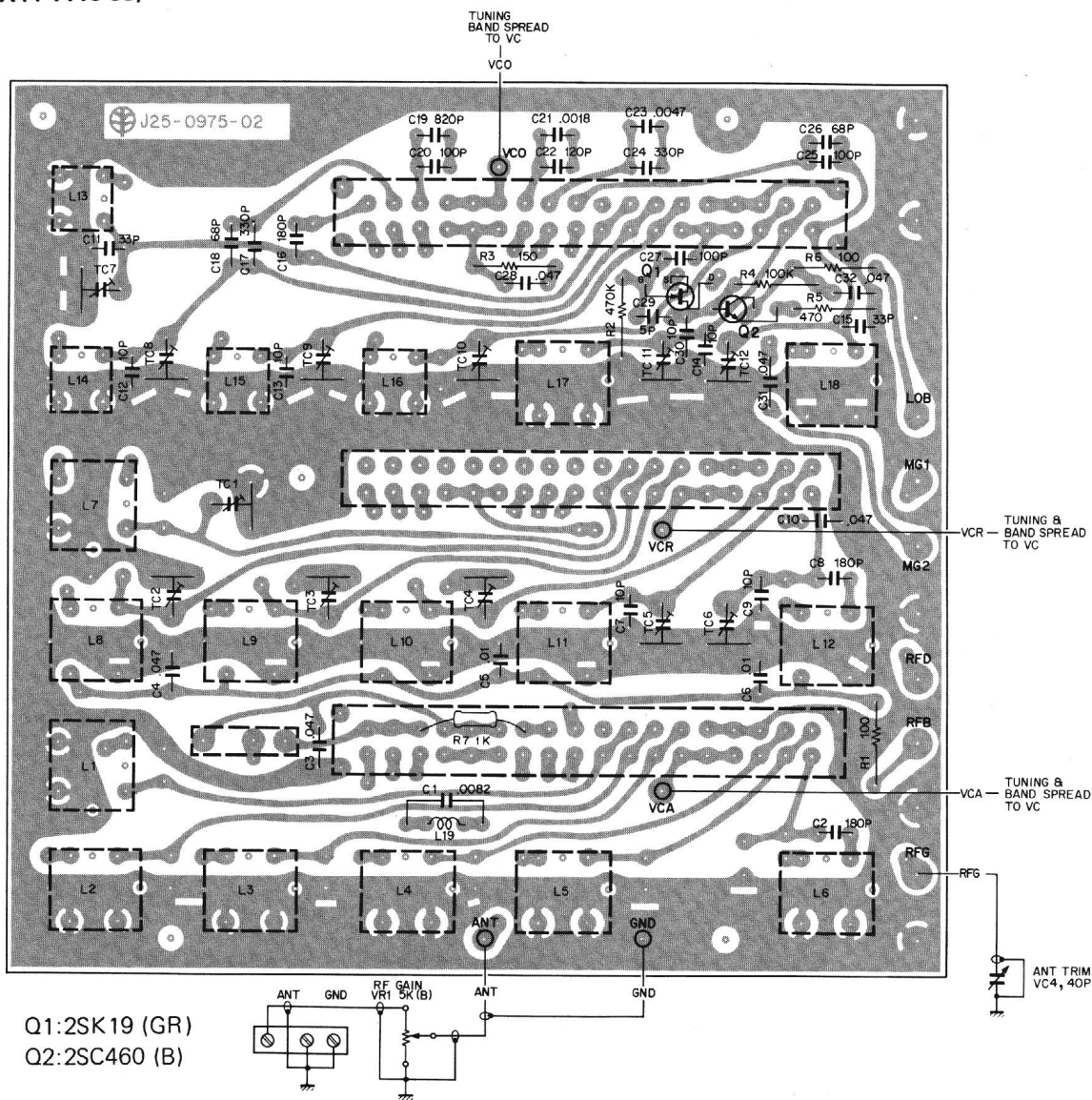
Q4:2SC460 (B)

D1~6:1S1555

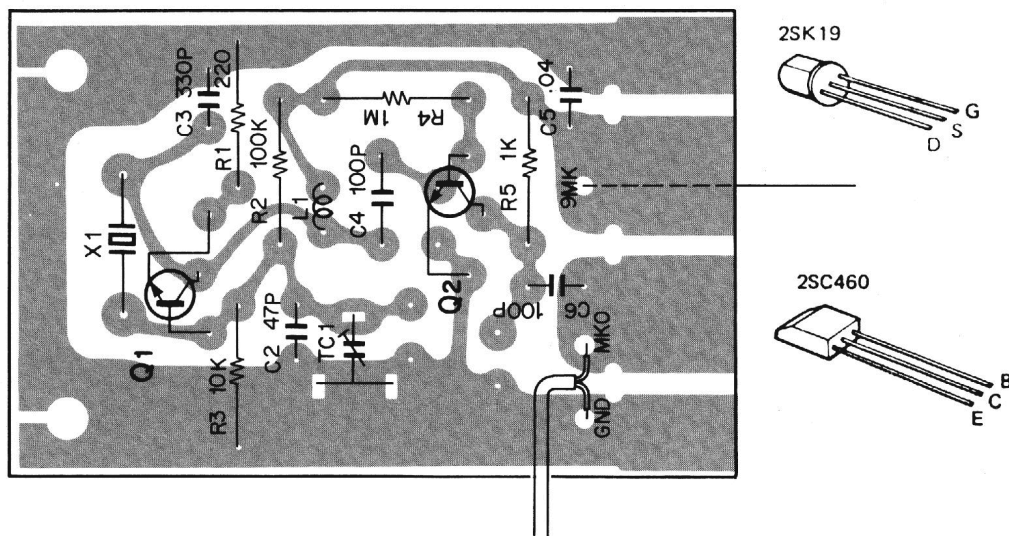
TH1:5T31L

PRINTED BOARD

▼ COIL PACK (X44-1110-00)

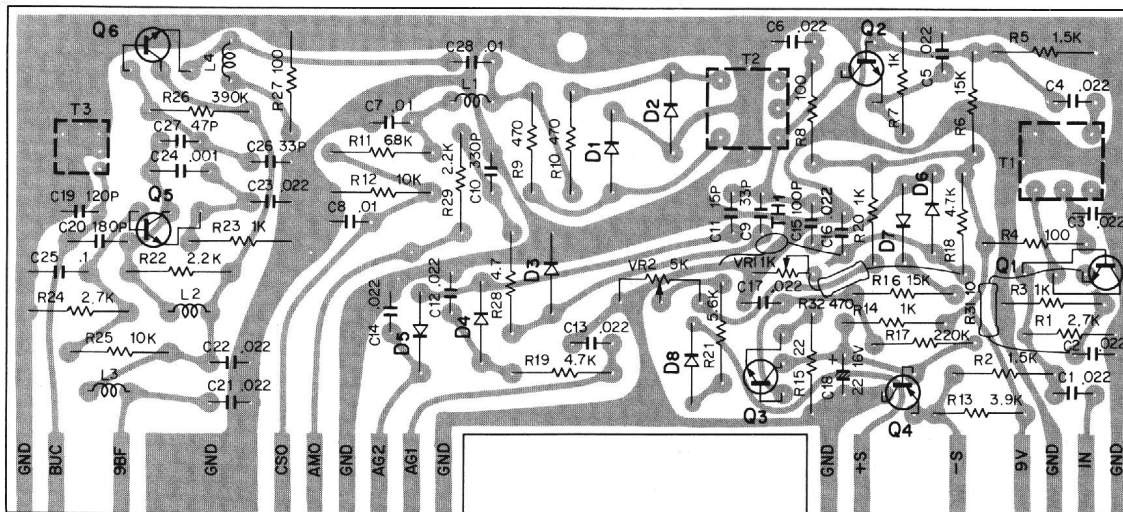


▼ MARKER (X52-1060-00)

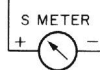


PRINTED BOARD

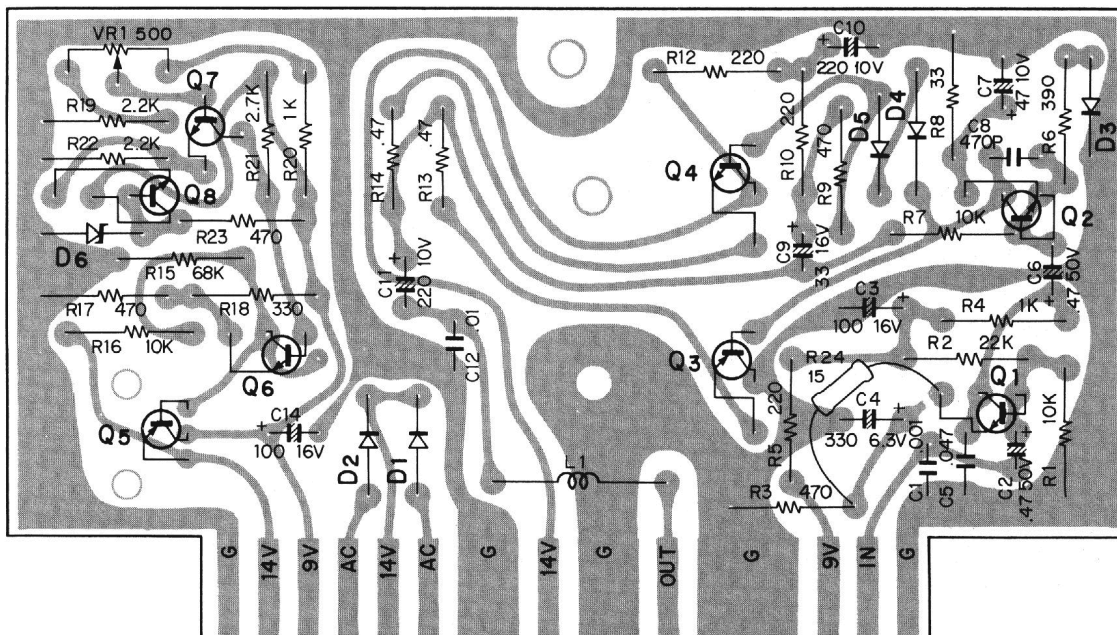
▼ IF UNIT (X48-1160-00)



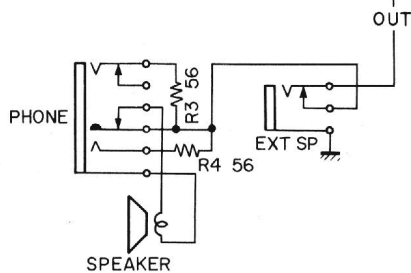
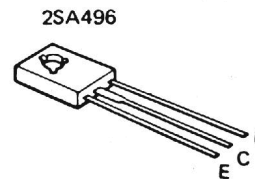
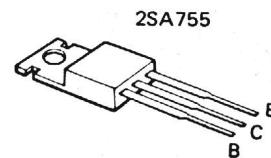
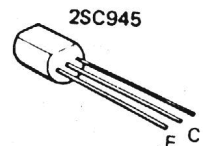
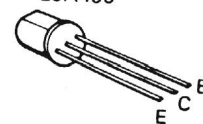
Q1, 2, 5, 6:2SC945 (R), Q3:2SC733 (Y), Q4:2SA495 (Y), D1~8:1N60
TH1:5T31



▼ AF/PS UNIT (X49-1090-00)



2SC372
2SC1000
2SC734 (Y)
2SC733
2SA495



Q1:2SC1000 (BL), Q2:2SC734 (Y), Q3:2SA755 (C), Q4:2SC1419 (C), Q5:2SA496 (Y),
Q6~8:2SC372 (Y), D1, 2, 4, 5:V06B, D3:1S1555, D6:WZ-061

PARTS LIST

TOTAL ☆: New parts, K: U.S.A., W: Europe for BCL use, W2: Europe for HAM use

| Ref. No. | Parts No. | Description | Re- marks | Ref. No. | Parts No. | Description | Re- marks |
|----------------------|----------------|--|--------------|----------|-------------|----------------------------------|--------------|
| CAPACITOR | | | | | | | |
| C1 | C90-0207-05 | Electrolytic 3300μF 25WV | | — | E10-1807-15 | Connector socket (RF) | |
| C2 | CE04W1H010(RL) | Electrolytic 1μF 50WV | | — | E10-1809-05 | Connector socket | |
| C3 | CK45E3D103P | Ceramic 0.01μF +100%, -0% | | — | E11-0003-15 | US jack (for EXT SP) x 2 | |
| RESISTOR | | | | | | | |
| R1 | RN14AB3G220K | Metal film 22Ω ±10% 4W | | — | E11-0034-15 | US jack | |
| R3, 4 | PD14BY2E560J | Carbon 56Ω ±5% 1/4W | | — | E20-0305-04 | Terminal (3P) | |
| SEMICONDUCTOR | | | | | | | |
| D1~3 | V11-0219-05 | Diode V06B | | — | E20-0509-05 | T type lug | |
| POTENTIOMETER | | | | | | | |
| VR1, 2 | R03-2033-05 | Semiconduct 5kΩ (B) | ☆ | — | E22-0105-04 | Lug | |
| VC1 | C01-0179-05 | Variable capacitor (Main) | | — | E22-0207-04 | Lug | |
| VC2 | C01-0180-05 | Variable capacitor (Spread) | | — | E22-0305-05 | Lug | |
| VC3 | C02-0003-05 | Midget variable capacitor (BFO) | ☆ | — | E22-0404-05 | Lug x 2 | |
| VC4 | C02-0004-15 | Midget variable capacitor (Antenna trimmer) | ☆ | — | E23-0015-04 | Earth lug x 2 | |
| MISCELLANEOUS | | | | | | | |
| — | A01-0301-02 | Case (A) (Under) | ☆ | — | E30-0244-05 | Lead wire x 2 | |
| — | A01-0302-02 | Case (B) (Upper) | ☆ | — | E30-0245-05 | Lead wire | |
| — | A10-0372-31 | Chassis | | — | E30-0321-05 | AC cord | W,W2 |
| — | A20-1097-05 | Panel ass'y | ☆ | — | E30-0584-05 | AC cord | K |
| — | A20-1098-05 | Panel | ☆ | — | E31-0401-05 | Lead wire | |
| — | A22-0202-42 | Sub panel | ☆ | — | E31-0402-15 | Lead wire | |
| — | A23-0698-12 | Rear panel | ☆ | — | E33-0086-00 | Wire kit | K☆ |
| — | A25-0005-23 | Baffle | | — | E33-0087-00 | Wire kit | K☆ |
| — | B05-0204-04 | Speaker grille cloth | | — | E33-0088-00 | Wire kit | W☆ |
| — | B09-0003-05 | Shaft joint | | — | E33-0089-00 | Wire kit | W☆ |
| — | B10-0213-04 | Front glass | ☆ | — | E33-0607-00 | Wire kit | W2☆ |
| — | B21-0011-24 | Pointer | ☆ | — | E33-0608-00 | Wire kit | W2☆ |
| — | B30-0079-05 | Pilot lamp 12V 40mA x 2 | ☆ | — | F05-1521-05 | Fuse 1.5A | |
| — | B31-0250-05 | Pilot lamp (Meter) with B30-0085-15 | ☆ | — | F05-2012-05 | Fuse 0.2A | K |
| — | B40-1424-04 | Name plate (Model) | ☆K | — | F05-8002-05 | Fuse 80mAT | W,W2 |
| — | B40-1425-04 | Name plate (Model) | ☆W,W2 | — | F07-0067-14 | Blinding plate | |
| — | B41-0211-04 | Name plate (Fuse) | W,W2 | — | F09-0026-05 | Battery case x 2 | |
| — | B42-0458-04 | Name plate (Adjusting) | | — | F09-0033-05 | Capacitor cover | |
| — | B42-0651-04 | Name plate (Band) | ☆ | — | F10-0325-14 | IF shield plate | |
| — | B42-0652-04 | Name plate (Spread A) | K,W | — | F10-0325-14 | AF shield plate | |
| — | B42-0653-04 | Name plate (Spread B) | W2 | — | F15-0212-24 | Band mask | ☆ |
| — | B46-0058-00 | Warranty card | K | — | F19-0215-14 | Blinding plate | ☆ |
| — | B50-1557-00 | Operating manual | | — | F19-0216-04 | Back cover | ☆ |
| — | D09-0015-14 | Dial drum (D) | ☆ | — | F20-0084-04 | Insulating plate (for terminal) | |
| — | D09-0016-04 | Dial drum (E) | ☆W2 | — | F20-0085-04 | Insulating plate (for coil pack) | |
| — | D09-0017-04 | Dial drum (F) | ☆K,W | — | G01-0044-14 | Dial spring x 2 | |
| — | D15-0083-14 | Pulley x 2 | | — | G01-0349-04 | Coil spring | ☆ |
| — | D15-0160-04 | Pulley (Small) x 5 | | — | G10-0601-04 | Felt for speaker | ☆ |
| — | D15-0167-03 | Dial pulley x 2 | ☆ | — | G13-0014-04 | Vibration protector (rubber) x 8 | |
| — | D15-0701-04 | Pulley | ☆ | — | G13-0082-04 | Cushion rubber x 4 | ☆ |
| — | D21-0331-24 | Drive shaft (for Drum) | | — | G13-0601-04 | Cushion x 4 | |
| — | D21-0333-24 | Drive shaft (for BFO) | | — | H01-1607-04 | Case (Inside) | ☆ |
| — | D21-0425-14 | Band shaft | ☆ | — | H03-0536-04 | Case (Outside) | ☆ |
| — | D22-0004-04 | Shaft coupler | | — | H10-1123-02 | Styrene foam cushion (B) | |
| — | D23-0061-04 | Bearing (BFO) | | — | H10-1459-02 | Styrene foam cushion (A) | ☆ |
| — | D23-0117-04 | Bearing (Band) | | — | H12-0401-04 | Packing material, foamed styrene | ☆ |
| — | D40-0213-03 | Dial pulley ass'y | | — | H20-0381-14 | Protection cover | |
| — | E08-0203-25 | Connector jack (2P) | | — | H25-0007-04 | Protection bag | |
| — | E08-0204-05 | Consent jack (2P) | | — | H25-0103-03 | Protection bag (Large) | |
| — | E08-0223-05 | AC connector | | — | J02-0022-05 | Leg x 4 | |
| — | E09-0203-25 | Connector plug (2P) | | — | J02-0049-14 | Leg x 4 | |
| — | E03-0204-05 | Consent plug (2P) | | — | J13-0019-05 | Fuse holder | |
| — | E09-0314-05 | Mini connector | | — | J13-0027-05 | Fuse holder | K |
| — | E10-1005-05 | Connector socket (1F) | | — | J13-0029-05 | Fuse holder (DC code) | W,W2 |
| — | E10-1406-05 | Connector socket (1F) | | — | J19-0498-14 | Meter holder | ☆ |
| | | | | — | J19-0499-04 | Lamp holder (Upper) | ☆ |
| | | | | — | J19-0500-04 | Lamp holder (Under) | ☆ |
| | | | | — | J21-0047-04 | Marker mounting hardware x 2 | |
| | | | | — | J21-0392-04 | Lead holder x 3 | |
| | | | | — | J21-1173-04 | VC fitting (A) (Spread back) | |
| | | | | — | J21-1174-04 | VC fitting (B) (Spread front) | |
| | | | | — | J21-1175-14 | VC fitting (C) (BFO) | |
| | | | | — | J21-1571-24 | Drum fitting x 2 | ☆ |
| | | | | — | J21-1573-04 | Small pulley stopper (A) | ☆ |
| | | | | — | J21-1574-14 | Small pulley stopper (B) x 3 | ☆ |
| | | | | — | J30-0061-04 | Rubber spacer x 4 | |
| | | | | — | J32-0117-04 | Hexagonal boss x 2 | |

PARTS LIST

| Ref. No. | Parts No. | Description | Re- marks |
|----------|-------------|------------------------------------|--------------|
| — | J32-0133-04 | Hexagonal boss x 8 | |
| — | J32-0229-14 | Hexagonal boss | ☆ |
| — | J39-0049-14 | Spacer | ☆ |
| — | J59-0001-05 | Plunger x 4 | |
| — | J59-0002-05 | Grommet x 4 | |
| — | J61-0019-05 | Vinyl tigh | |
| — | J90-0079-04 | Pointer shaft | ☆ |
| — | K01-0063-05 | Handle | ☆ |
| — | K21-0318-04 | Knob (Tuning, Band spread) x 2 | ☆ |
| — | K21-0319-04 | Knob (RF, AF GAIN) x 2 | ☆ |
| — | K21-0320-04 | Knob (ANT, BFO) x 2 | ☆ |
| — | K21-0321-04 | Knob (BAND) | ☆ |
| — | K21-0322-24 | Knob (Function, Marker, Light) x 7 | ☆ |
| — | K29-0169-14 | Knob (Power) | ☆ |
| — | L09-0001-45 | Power transformer | |
| — | S40-2039-05 | Push switch (With lock) | |
| — | S40-2040-05 | Push switch (Non lock) | |
| — | S40-4015-05 | Push switch (Power) | |
| — | T05-0006-25 | Speaker | |
| — | X41-1090-00 | Switch unit | ☆ |
| — | X44-1100-01 | RF unit | ☆ |
| — | X44-1110-00 | Coil pack | |
| — | X48-1160-00 | IF unit | ☆ |
| — | X49-1090-00 | AF/PS unit | ☆ |
| — | X52-1060-00 | Marker unit | |

SWITCH (X41-1090-00)

| Ref. No. | Parts No. | Description | Re- marks |
|----------------------|--------------|--------------------------|--------------|
| CAPACITOR | | | |
| C1 | CC45CH1H820J | Ceramic 82pF ±5% | |
| C2, 3 | CC45CH1H220J | Ceramic 22pF ±5% | |
| C4 | CC45CH1H820J | Ceramic 82pF ±5% | |
| C5 | CQ92M1H472K | Mylar 0.0047μF ±10% | |
| C6, 7 | CE04W1HR47 | Electrolytic 0.47μF 50WV | |
| C8 | CE04W1C470 | Electrolytic 47μF 16WV | |
| C9 | CE04W1C100 | Electrolytic 10μF 16WV | |
| C10 | CK45B1H471K | Ceramic 470pF ±10% | |
| C11 | CE04W1H010 | Electrolytic 1μF 50WV | |
| C12 | CQ92M1H222K | Mylar 0.0022μF ±10% | |
| RESISTOR | | | |
| R1 | PD14CY2E152J | Carbon 1.5kΩ ±5% 1/4W | |
| R2 | PD14CY2E101J | Carbon 100Ω ±5% 1/4W | |
| R3 | PD14CY2E152J | Carbon 1.5kΩ ±5% 1/4W | |
| R4, 5 | PD14CY2E222J | Carbon 2.2kΩ ±5% 1/4W | |
| R6 | PD14CY2E563J | Carbon 56kΩ ±5% 1/4W | |
| R7, 8 | PD14BY2E104J | Carbon 100kΩ ±5% 1/4W | |
| R9 | PD14CY2E103J | Carbon 10kΩ ±5% 1/4W | |
| R10 | PD14CY2E102J | Carbon 1kΩ ±5% 1/4W | |
| R11 | PD14CY2E562J | Carbon 5.6kΩ ±5% 1/4W | |
| R12 | PD14CY2E332J | Carbon 3.3kΩ ±5% 1/4W | |
| R13 | PD14CY2E474J | Carbon 470kΩ ±5% 1/4W | |
| R14 | PD14CY2E102J | Carbon 1kΩ ±5% 1/4W | |
| R15 | PD14CY2E221J | Carbon 220Ω ±5% 1/4W | |
| R16 | PD14CY2E152J | Carbon 1.5kΩ ±5% 1/4W | |
| SEMICONDUCTOR | | | |
| Q1 | V03-0270-05 | Transistor 2SC945 (R) | |
| D1 | V11-0051-05 | Diode 1N60 | |
| Fil 1, 2 | L72-0042-05 | Ceramic filter SED455F | ☆ |

| Ref. No. | Parts No. | Description | Re- marks |
|----------------------|-------------|------------------------|--------------|
| MISCELLANEOUS | | | |
| S1 | S42-5008-05 | Push switch | ☆ |
| — | E23-0047-04 | Terminal (Square) x 12 | |

RF (X44-1100-01)

| Ref. No. | Parts No. | Description | Re- marks |
|----------------------|--------------|--------------------------|--------------|
| CAPACITOR | | | |
| C1 | CC45CH1H101J | Ceramic 100pF ±5% | |
| C2 | CQ92M1H333K | Mylar 0.033μF ±10% | |
| C3, 4 | CK45D1H102M | Ceramic 0.001μF ±20% | |
| C5 | CQ92M1H333K | Mylar 0.033μF ±10% | |
| C6 | CC45CH1H101J | Ceramic 100pF ±5% | |
| C7 | CQ92M1H333K | Mylar 0.033μF ±10% | |
| C8 | CK45D1H102M | Ceramic 0.001μF ±20% | |
| C9 | CQ92M1H473K | Mylar 0.047μF ±10% | |
| C10, 11 | CQ92M1H103K | Mylar 0.01μF ±10% | |
| C12 | CQ92M1H473K | Mylar 0.047μF ±10% | |
| C14 | CQ92M1H104K | Mylar 0.1μF ±10% | |
| C16 | CC45CH1H101J | Ceramic 100pF ±5% | |
| C17 | CQ92M1H103K | Mylar 0.01μF ±10% | |
| C18 | CC45CH1H330J | Ceramic 33pF ±5% | |
| C19 | CC45CH1H030D | Ceramic 3pF ±0.5pF | |
| C20 | CQ92M1H103K | Mylar 0.01μF ±10% | |
| RESISTOR | | | |
| R1 | PD14BY2E474J | Carbon 470kΩ ±5% 1/4W | |
| R2 | PD14BY2E681J | Carbon 680Ω ±5% 1/4W | |
| R3 | PD14BY2E105J | Carbon 1MΩ ±5% 1/4W | |
| R4 | PD14BY2E333J | Carbon 33kΩ ±5% 1/4W | |
| R5 | PD14BY2E392J | Carbon 3.9kΩ ±5% 1/4W | |
| R6 | PD14BY2E100J | Carbon 10Ω ±5% 1/4W | |
| R7, 8 | PD14BY2E101J | Carbon 100Ω ±5% 1/4W | |
| R9 | PD14BY2E104J | Carbon 100kΩ ±5% 1/4W | |
| R10 | PD14BY2E470J | Carbon 47Ω ±5% 1/4W | |
| R11 | PD14BY2E221J | Carbon 220Ω ±5% 1/4W | |
| R12 | PD14BY2E471J | Carbon 470Ω ±5% 1/4W | |
| R15 | PD14BY2E102J | Carbon 1kΩ ±5% 1/4W | |
| R16 | PD14BY2E101J | Carbon 100Ω ±5% 1/4W | |
| R17 | PD14BY2E682J | Carbon 6.8kΩ ±5% 1/4W | |
| R18 | PD14BY2E104J | Carbon 100kΩ ±5% 1/4W | |
| R19 | PD14BY2E470J | Carbon 47Ω ±5% 1/4W | |
| R20 | PD14BY2E822J | Carbon 8.2kΩ ±5% 1/4W | |
| R21 | PD14BY2E152J | Carbon 1.5kΩ ±5% 1/4W | |
| R22 | PD14BY2E472J | Carbon 4.7kΩ ±5% 1/4W | |
| R23 | PD14BY2E682J | Carbon 6.8kΩ ±5% 1/4W | |
| R24, 25 | PD14BY2E101J | Carbon 100Ω ±5% 1/4W | |
| R26 | PD14BY2E222J | Carbon 2.2kΩ ±5% 1/4W | |
| R27 | PD14BY2E223J | Carbon 22kΩ ±5% 1/4W | |
| R28 | PD14BY2E101J | Carbon 100Ω ±5% 1/4W | |
| R29 | PD14BY2E681J | Carbon 680Ω ±5% 1/4W | |
| R30 | PD14BY2E222J | Carbon 2.2kΩ ±5% 1/4W | |
| SEMICONDUCTOR | | | |
| Q1,2,3 | V09-0057-05 | FET 3SK41(L) or 3SK40(L) | |
| Q4 | V03-0079-05 | Transistor 2SC460 (B) | |
| D1~6 | V11-0076-05 | Diode 1S1555 | |
| POTENTIOMETER | | | |
| VR1 | R12-3022-05 | 10kΩ (B) | |
| COIL/CRYSTAL | | | |
| L1 | L40-4725-04 | Ferri-inductor 4.7 mH | |
| L2 | L40-1021-03 | Ferri-inductor 4.7 mH | |
| T1 | L30-0288-05 | IFT | ☆ |
| T2 | L30-0267-05 | IFT | ☆ |

PARTS LIST

| Ref. No. | Parts No. | Description | Re- marks |
|----------|-------------|----------------------------|--------------|
| T3 | L32-0167-05 | OSC coil | ☆ |
| T4 | L30-0293-05 | IFT | |
| X1 | L77-0365-05 | Quartz crystal (3.579 MHz) | ☆ |
| TH1 | V22-0022-05 | Thermistor 5T31L | |
| — | E06-0406-05 | Transistor socket | |
| — | E23-0046-04 | Terminal x 12 | |

COIL PACK (X44-1110-00)

| Ref. No. | Parts No. | Description | Re- marks |
|----------------------|--------------|---------------------------|--------------|
| CAPACITOR | | | |
| C1 | CQ93M1H822J | Mylar 0.0082μF ± 5% | |
| C2 | CC45PH1H181J | Ceramic 180pF ± 5% | |
| C3,4 | CQ92M1H473K | Mylar 0.047μF ± 10% | |
| C5,6 | CQ92M1H103K | Mylar 0.01μF ± 10% | |
| C7 | CC45CH1H100D | Ceramic 10pF ± 0.5pF | |
| C8 | CC45PH1H181J | Ceramic 180pF ± 5% | |
| C9 | CC45CH1H100D | Ceramic 10pF ± 0.5pF | |
| C10 | CQ92M1H473K | Mylar 0.047μF ± 10% | |
| C11 | CC45CH1H330J | Ceramic 33pF ± 5% | |
| C12~14 | CC45CH1H100D | Ceramic 10pF ± 0.5pF | |
| C15 | CC45CH1H330J | Ceramic 33pF ± 5% | |
| C16 | CC45PH1H181J | Ceramic 180pF ± 5% | |
| C17 | CQ09S1H331J | Polystyrene 330pF ± 5% | |
| C18 | CC45PH1H680J | Ceramic 68pF ± 5% | |
| C19 | CQ09S1H821J | Polystyrene 820pF ± 5% | |
| C20 | CC45PH1H101J | Ceramic 100pF ± 5% | |
| C21 | CQ09S1H182J | Polystyrene 0.0018μF ± 5% | |
| C22 | CC45PH1H121J | Ceramic 120pF ± 5% | |
| C23 | CQ09S1H472J | Polystyrene 0.0047μF ± 5% | |
| C24 | CQ09S1H331J | Polystyrene 330pF ± 5% | |
| C25 | CC45PH1H101J | Ceramic 100pF ± 5% | |
| C26 | CC45PH1H680J | Ceramic 68pF ± 5% | |
| C27 | CC45CH1H101J | Ceramic 100pF ± 5% | |
| C28 | CQ92M1H473K | Mylar 0.047μF ± 10% | |
| C29 | CC45CH1H050D | Ceramic 5pF ± 0.5pF | |
| C30 | CC45CH1H100D | Ceramic 10pF ± 0.5pF | |
| C31,32 | CQ92M1H473K | Mylar 0.047μF ± 10% | |
| RESISTOR | | | |
| R1 | PD14BY2E101J | Carbon 100Ω ± 5% 1/4W | |
| R2 | PD14BY2E474J | Carbon 470kΩ ± 5% 1/4W | |
| R3 | PD14BY2E151J | Carbon 150Ω ± 5% 1/4W | |
| R4 | PD14BY2E104J | Carbon 100kΩ ± 5% 1/4W | |
| R5 | PD14BY2E471J | Carbon 470Ω ± 5% 1/4W | |
| R6 | PD14BY2E101J | Carbon 100Ω ± 5% 1/4W | |
| R7 | PD14BY2E102J | Carbon 1kΩ ± 5% 1/4W | |
| SEMICONDUCTOR | | | |
| Q1 | V09-0012-05 | FET 2SK19 (GR) | |
| Q2 | V03-0079-05 | Transistor 2SC460 (B) | |
| COIL | | | |
| L1 | L31-0326-05 | Tuning coil ANT A | ☆ |
| L2 | L31-0327-05 | Tuning coil ANT B | ☆ |
| L3 | L31-0328-05 | Tuning coil ANT C | ☆ |
| L4 | L31-0329-05 | Tuning coil ANT D | ☆ |
| L5 | L31-0330-05 | Tuning coil ANT E | ☆ |
| L6 | L34-0566-05 | Tuning coil ANT F | ☆ |
| L7 | L31-0332-05 | Tuning coil RF A | ☆ |
| L8 | L31-0333-05 | Tuning coil RF B | ☆ |
| L9 | L31-0334-05 | Tuning coil RF C | ☆ |
| L10 | L31-0335-05 | Tuning coil RF D | ☆ |
| L11 | L31-0336-05 | Tuning coil RF E | ☆ |
| L12 | L31-0337-05 | Tuning coil RF F | ☆ |
| L13 | L32-0168-05 | OSC coil OSC A | ☆ |

| Ref. No. | Parts No. | Description | Re- marks |
|----------------------|-------------|------------------------|--------------|
| L14 | L32-0169-05 | OSC coil OSC B | ☆ |
| L15 | L32-0170-05 | OSC coil OSC C | ☆ |
| L16 | L32-0171-05 | OSC coil OSC D | ☆ |
| L17 | L32-0172-05 | OSC coil OSC E | ☆ |
| L18 | L32-0173-05 | OSC coil OSC F | ☆ |
| L19 | L40-1501-03 | Ferri-inductor 15μH | |
| TRIMMER | | | |
| TC1~7 | C05-0013-15 | Trimmer capacitor 20pF | |
| TC8~12 | C05-0010-15 | Trimmer capacitor 10pF | |
| MISCELLANEOUS | | | |
| — | E23-0046-04 | Terminal (Square) x 5 | |
| — | E40-0371-05 | Mini-connector | |
| — | S29-3005-05 | Rotary switch | ☆ |

IF (X48-1160-00)

| Ref. No. | Parts No. | Description | Re- marks |
|------------------|--------------|----------------------------|--------------|
| CAPACITOR | | | |
| C1, 2 | CQ92M1H223K | Mylar 0.022μF ± 10% | |
| C3 | CK45F1H223Z | Ceramic 0.022μF +80%, -20% | |
| C4, 5 | CQ92M1H223K | Mylar 0.022μF ± 10% | |
| C6 | CK45F1H223Z | Ceramic 0.022μF +80%, -20% | |
| C7, 8 | CK45F1H103Z | Ceramic 0.001μF +80%, -20% | |
| C9 | CC45CH1H330J | Ceramic 33pF ± 5% | |
| C10 | CK45B1H331K | Ceramic 330pF ± 10% | |
| C11 | CC45CH1H150J | Ceramic 15pF ± 5% | |
| C12~14 | CK45F1H223Z | Ceramic 0.022μF +80%, -20% | |
| C15 | CC45CH1H101J | Ceramic 100pF ± 5% | |
| C16, 17 | CK45F1H223Z | Ceramic 0.022μF +80%, -20% | |
| C18 | CE04W1C220 | Electrolytic 22μF 16WV | |
| C19 | CC45SH1H121J | Ceramic 120pF ± 5% | |
| C20 | CC45PH1H181J | Ceramic 180pF ± 5% | |
| C21, 22 | CK45F1H223Z | Ceramic 0.022μF +80%, -20% | |
| C23 | CC92M1H223K | Mylar 0.022μF ± 10% | |
| C24 | CQ92M1H102K | Mylar 0.001μF ± 10% | |
| C25 | CQ92M1H104K | Mylar 0.1μF ± 10% | |
| C26 | CC45CH1H330J | Ceramic 33pF ± 5% | |
| C27 | CC45CH1H470J | Ceramic 47pF ± 5% | |
| C28 | CQ92M1H103K | Mylar 0.01μF ± 10% | |
| RESISTOR | | | |
| R1 | PD14BY2E272J | Carbon 2.7kΩ ± 5% 1/4W | |
| R2 | PD14BY2E152J | Carbon 1.5kΩ ± 5% 1/4W | |
| R3 | PD14BY2E102J | Carbon 1kΩ ± 5% 1/4W | |
| R4 | PD14BY2E101J | Carbon 100Ω ± 5% 1/4W | |
| R5 | PD14BY2E152J | Carbon 1.5kΩ ± 5% 1/4W | |
| R6 | PD14BY2E153J | Carbon 15kΩ ± 5% 1/4W | |
| R7 | PD14BY2E102J | Carbon 1kΩ ± 5% 1/4W | |
| R8 | PD14BY2E101J | Carbon 100Ω ± 5% 1/4W | |
| R9, 10 | PD14BY2E471J | Carbon 470Ω ± 5% 1/4W | |
| R11 | PD14BY2E682J | Carbon 68kΩ ± 5% 1/4W | |
| R12 | PD14BY2E103J | Carbon 10kΩ ± 5% 1/4W | |
| R13 | PD14BY2E392J | Carbon 3.9kΩ ± 5% 1/4W | |
| R14 | PD14BY2E102J | Carbon 1kΩ ± 5% 1/4W | |
| R15 | PD14BY2E220J | Carbon 22Ω ± 5% 1/4W | |
| R16 | PD14BY2E153J | Carbon 15kΩ ± 5% 1/4W | |
| R17 | PD14BY2E224J | Carbon 220kΩ ± 5% 1/4W | |
| R18 | PD14BY2E472J | Carbon 4.7kΩ ± 5% 1/4W | |
| R19 | PD14BY2E472J | Carbon 4.7kΩ ± 5% 1/4W | |
| R20 | PD14BY2E102J | Carbon 1kΩ ± 5% 1/4W | |
| R21 | PD14BY2E562J | Carbon 5.6kΩ ± 5% 1/4W | |
| R22 | PD14BY2E222J | Carbon 2.2kΩ ± 5% 1/4W | |
| R23 | PD14BY2E102J | Carbon 1kΩ ± 5% 1/4W | |
| R24 | PD14BY2E272J | Carbon 2.7kΩ ± 5% 1/4W | |
| R25 | PD14BY2E103J | Carbon 10kΩ ± 5% 1/4W | |
| R26 | PD14BY2E394J | Carbon 390kΩ ± 5% 1/4W | |

PARTS LIST

| Ref. No. | Parts No. | Description | Re- marks |
|----------------------|--------------|-----------------------|--------------|
| R27 | PD14BY2E101J | Carbon 100Ω ±5% 1/4W | |
| R28 | PD14BY2E472J | Carbon 4.7kΩ ±5% 1/4W | |
| R29 | PD14BY2E222J | Carbon 2.2kΩ ±5% 1/4W | |
| R31 | PD14BY2E100J | Carbon 10Ω ±5% 1/4W | |
| R32 | PD14BY2E471J | Carbon 470Ω ±5% 1/4W | |
| SEMICONDUCTOR | | | |
| Q1, 2 | V03-0270-05 | Transistor 2SC945 (R) | |
| Q3 | V03-0129-05 | Transistor 2SC733 (Y) | |
| Q4 | V01-0037-05 | Transistor 2SA495 (Y) | |
| Q5, 6 | V03-0270-05 | Transistor 2SC945 (R) | |
| D1~8 | V11-0051-05 | Diode 1N60 | |
| TH1 | V22-0013-05 | Thermistor 5T31 | |
| POTENTIOMETER | | | |
| VR1 | R12-1024-05 | Semi-fixed 1kΩ | |
| VR2 | R12-2014-05 | Semi-fixed 5kΩ | |
| COIL | | | |
| L1 | L40-4725-04 | Ferri-inductor | |
| L2 | L40-6825-04 | Ferri-inductor | |
| L3, 4 | L40-2225-04 | Ferri-inductor | |
| TRIMMER | | | |
| T1, 2 | L30-0293-05 | IFT | ☆ |
| T3 | L32-0202-05 | OSC coil | ☆ |

AF/PS (X49-1090-00)

| Ref. No. | Parts No. | Description | Re- marks |
|------------------|----------------|---------------------------|--------------|
| CAPACITOR | | | |
| C1 | CK45B1H102K | Ceramic 0.001μF ±10% | |
| C2 | CE04W1HR47(RL) | Electrolytic 0.47μF 50WV | |
| C3 | CE04W1C101(RL) | Electrolytic 100μF 16WV | |
| C4 | CE04WoJ331 | Electrolytic 330μF 6.3WV | |
| C5 | CQ93M1H473K | Mylar 0.047μF ±10% | |
| C6 | CE04W1HR47(RL) | Electrolytic 0.47μF 50WV | |
| C7 | CE04W1A470(RL) | Electrolytic 47μF 10WV | |
| C8 | CK45B1H471K | Ceramic 470pF ±10% | |
| C9 | CE04W1C330(RL) | Electrolytic 33μF 16WV | |
| C10 | CE04W1A221(RL) | Electrolytic 220μF 10WV | |
| C11 | CE04W1A221(RL) | Electrolytic 220μF 10WV | |
| C12 | CK45F1H103Z | Ceramic 0.01μF +80%, -20% | |
| C14 | CE04W1C101(RL) | Electrolytic 100μF 16WV | |
| RESISTOR | | | |
| R1 | PD14BY2E103J | Carbon 10kΩ ±5% 1/4W | |
| R2 | PD14BY2E223J | Carbon 22kΩ ±5% 1/4W | |
| R3 | PD14BY2E471J | Carbon 470Ω ±5% 1/4W | |
| R4 | PD14BY2E102J | Carbon 1kΩ ±5% 1/4W | |
| R5 | PD14BY2E221J | Carbon 220Ω ±5% 1/4W | |
| R6 | PD14BY2E391J | Carbon 390Ω ±5% 1/4W | |
| R7 | PD14BY2E103J | Carbon 10kΩ ±5% 1/4W | |
| R8 | PD14BY2E330J | Carbon 33Ω ±5% 1/4W | |
| R9 | PD14BY2E471J | Carbon 470Ω ±5% 1/4W | |
| R10 | PD14BY2E221J | Carbon 220Ω ±5% 1/4W | |
| R12 | PD14BY2E221J | Carbon 220Ω ±5% 1/4W | |
| R13, 14 | R92-0041-25 | Metal plate 0.47Ω | |
| R15 | PD14BY2E683J | Carbon 68kΩ ±5% 1/4W | |
| R16 | PD14BY2E103J | Carbon 10kΩ ±5% 1/4W | |
| R17 | PD14BY2E471J | Carbon 470Ω ±5% 1/4W | |
| R18 | PD14BY2E331J | Carbon 330Ω ±5% 1/4W | |
| R19 | PD14BY2E222J | Carbon 2.2kΩ ±5% 1/4W | |
| R20 | PD14BY2E102J | Carbon 1kΩ ±5% 1/4W | |
| R21 | PD14BY2E272J | Carbon 2.7kΩ ±5% 1/4W | |
| R22 | PD14BY2E222J | Carbon 2.2kΩ ±5% 1/4W | |

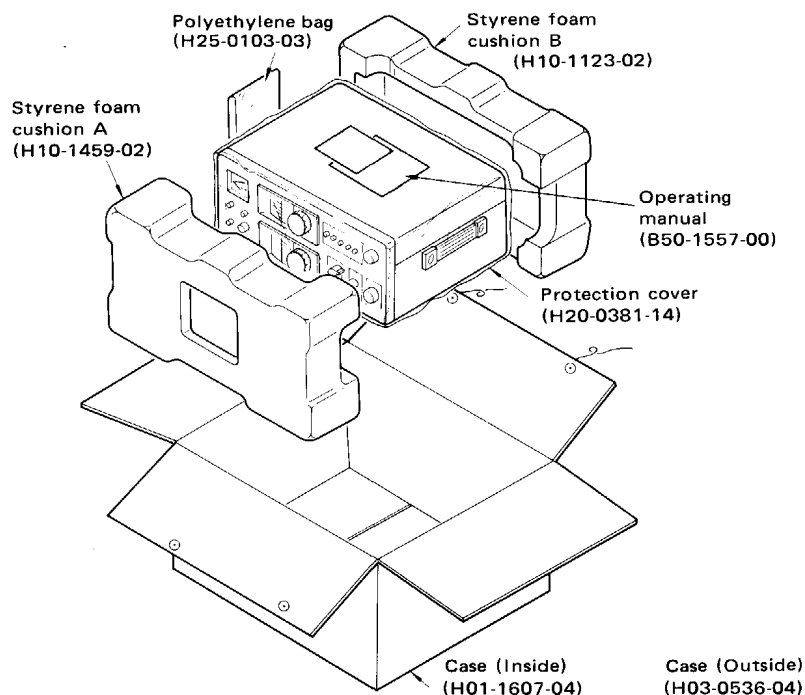
| Ref. No. | Parts No. | Description | Re- marks |
|----------------------|--------------|-------------------------|--------------|
| R23 | PD14BY2E471J | Carbon 470Ω ±5% 1/4W | |
| R24 | PD14BY2E150J | Carbon 15Ω ±5% 1/4W | |
| SEMICONDUCTOR | | | |
| Q1 | V03-0279-05 | Transistor 2SC1000 (BL) | |
| Q2 | V03-0125-05 | Transistor 2SC734 (Y) | |
| Q3 | V01-0116-05 | Transistor 2SA755 (C) | |
| Q4 | V03-0343-05 | Transistor 2SC1419 (C) | |
| Q5 | V01-0113-05 | Transistor 2SA496 (Y) | |
| Q6~8 | V03-0099-05 | Transistor 2SC372 (Y) | |
| D1, 2 | V11-0219-05 | Diode V06B | |
| D3 | V11-0076-05 | Diode 1S1555 | |
| D4, 5 | V11-0219-05 | Diode V06B | |
| D6 | V11-0243-05 | Diode WZ-061 | |
| POTENTIOMETER | | | |
| VR1 | R12-0042-05 | 500Ω | |
| COIL | | | |
| L1 | L33-0025-05 | Heater chock 1μH | |
| MISCELLANEOUS | | | |
| - | F01-0114-04 | Heat sink x 2 | |

MARKER (X52-1060-00)

| Ref. No. | Parts No. | Description | Re- marks |
|-----------------------------|--------------|---------------------------|--------------|
| CAPACITOR | | | |
| C2 | CC45CH1H470J | Ceramic 47pF ±5% | |
| C3 | CQ08S1H331J | Polystyrene 330pF ±5% | |
| C4 | CC45CH1H101J | Ceramic 100pF ±5% | |
| C5 | CK45F1H403Z | Ceramic 0.04μF +80%, -20% | |
| C6 | CC35SL1H010C | Ceramic 1pF ±0.25pF | |
| RESISTOR | | | |
| R1 | PD14BY2E221J | Carbon 220Ω ±5% 1/4W | |
| R2 | PD14BY2E104J | Carbon 100kΩ ±5% 1/4W | |
| R3 | PD14BY2E103J | Carbon 10kΩ ±5% 1/4W | |
| R4 | PD14BY2E105J | Carbon 1MΩ ±5% 1/4W | |
| R5 | PD14BY2E102J | Carbon 1kΩ ±5% 1/4W | |
| SEMICONDUCTOR | | | |
| Q1, 2 | V03-0079-05 | Transistor 2SC460B | |
| COIL/TRIMMER/CRYSTAL | | | |
| L1 | L40-1021-03 | Ferri-inductor 1mH | |
| TC1 | C05-0029-15 | Ceramic trimmer 50pF | |
| X1 | L77-0364-05 | Quartz crystal 500kHz | |

TROUBLESHOOTING/PACKING

| Symptom | Condition | Service Point | Possible Cause | Remedy |
|--|-------------------------------------|--|--|--|
| 1. The set is not energized. | | 1) Fuse 2) POWER switch 3) Power cord | <ul style="list-style-type: none"> · Fuse blown · Switch malfunction · Poor contact in leads and chassis | <ul style="list-style-type: none"> · Check · Check and modification |
| 2. Lamps are not lit up. | | | | <ul style="list-style-type: none"> · In DC operation lamps are lit only if the LIGHT switch is depressed. |
| 3. Poor sensitivity | · Meter and dial lamps are not lit. | 1) LIGHT switch 2) Transformer wiring | <ul style="list-style-type: none"> · Switch malfunction · Defective wiring | <ul style="list-style-type: none"> · Check · Check |
| | · Noise cannot be heard either. | 1) AF/PS unit 2) PHONE jack 3) Speaker connector | <ul style="list-style-type: none"> · Q3,, Q4 defective · Poor contact · Poor contact | <ul style="list-style-type: none"> · Check · Check · Check |
| 4. Meter does not deflect. | · Noise can be heard. | 1) AF/PS unit | <ul style="list-style-type: none"> · Stabilized voltage insufficient | <ul style="list-style-type: none"> · Check |
| | | 2) RF unit 3) Switch unit | <ul style="list-style-type: none"> · Q1 (3SK35) defective · Filter defective · Poor switch contact | <ul style="list-style-type: none"> · Voltage check · Check · Check |
| | | 4) IF unit | <ul style="list-style-type: none"> · AGC transistor defective | <ul style="list-style-type: none"> · Voltage check |
| | | 5) Coil pack unit | <ul style="list-style-type: none"> · Deviation from coil adjustment | <ul style="list-style-type: none"> · Readjustment |
| | | · Sensitivity is defective only in band F. | 1) RF unit | <ul style="list-style-type: none"> · Q4 (2SC460) defective |
| 5. Abnormal oscillation occurs in the marker unit. | · No oscillation | 1) Marker unit | <ul style="list-style-type: none"> · Deviation in VR2 (S ZERO ADJ.) or associated circuit | <ul style="list-style-type: none"> · Readjustment and check |
| | · Many beats are generated. | 1) Marker unit | <ul style="list-style-type: none"> · Deviation in VR1 (S SENSE ADJ.) or associated circuit · TC1 deviation or crystal defective · Crystal defective · Excessive output | <ul style="list-style-type: none"> · Readjustment and check · Check · Replacement · Reduction of C6 capacity |



DIAL STRING ARRANGEMENTS

1. REPLACEMENT OF DIAL DRUM AND DIAL STRING ARRANGEMENT

(1) Dismantle Upper and Lower Cases

- The upper case has 8 bolts.
- The lower case has 13 bolts. Remove the DC battery cord plug which is attached to the lower case.

(2) Dismantle the Panel

- Remove 7 knobs from the front panel
- Remove each fixing bolt at right and left of the panel.
- Remove 2 fixing bolts respectively from right and left sides of the sub-panel. This widens the clearance between chassis and sub-panel.

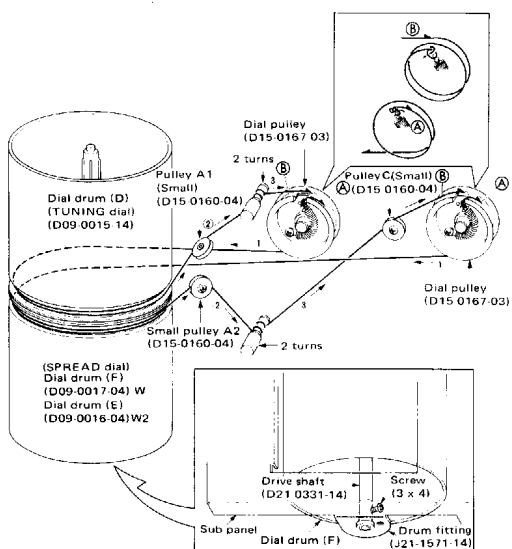
(3) Replace the Dial Drum

- Remove a string from the dial drum.
- Remove 3 bolts respectively from top and bottom hardware, used to support the dial drum.
- Loosen the center shaft stopper of the dial drum.
- Slowly draw out the dial drum from the center shaft, protecting the drum against damage.
- The dial drum can be mounted in the reverse order of the above.

2. STRING ARRANGEMENT FOR TUNING AND SPREAD DIALS

(1) Carefully refer to the drawing of the finished string arrangement to grasp the entire setting condition.

- Give one and half turns of a dial string around the pulley groove center toward you. Then, starting from the bottom groove of dial drum D, give 2 turns around the drum and hang it on small pulley A1.



String Arrangement for Tuning and Spread Dials

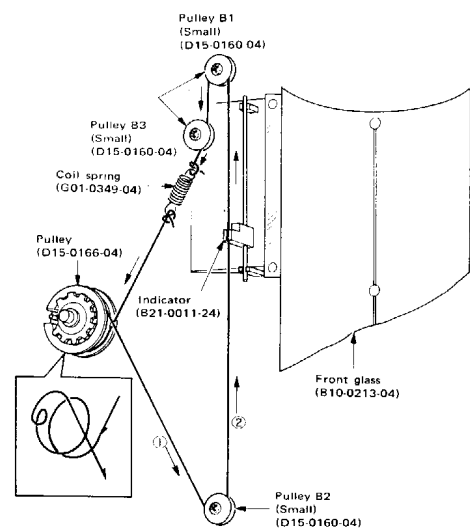
- Stretch the string of small pulley A1 and give 2 turns around the pulley shaft, starting from bottom of hither side and finishing at thither side. Starting from the thither side, also give 2 turns around the dial pulley and join it with the other end of string.

SPREAD DIAL

- Give one and half turns of a dial string around the center groove of the dial pulley. Then, starting from the upper groove of dial drum F (or E), give 2 turns around the drum and hang it on small pulley A2.
- Stretch the string of small pulley A2 and give 2 turns around the pulley shaft, starting from bottom of hither side and finishing at thither side. Then hang this string on small pulley C.
- Stretch the string of small pulley C and give 2 turns around the dial pulley, starting from top of hither side. Then connect it with the other end of string.

3. STRING ARRANGEMENT FOR BAND SELECTOR PULLEY

- Connect one end of spring with a string.
- As illustrated, give a single turn of string around the hollow part of the pulley, starting from the thither side. After giving another turn around the pulley, hang it on small pulley B2.
- Stretch the string from small pulley B2 and hang it on small pulley B1. Connect this string with the other end of spring. (The string knot at the end of spring should have moderate tightness not to permit loosening.)
- Hang the string on small pulley B3 to give proper tension.



String Arrangement for BAND Selector Pulley

ADJUSTMENTS

TEST EQUIPMENT REQUIRED

(1) DC Valve Voltmeter

Input impedance More than 100 M Ω

(2) Oscilloscope

With sufficient sensitivity

(3) AF Valve Voltmeter

Measuring frequency 50 Hz ~ 10 kHz
Input impedance More than 1 M Ω

(4) RF Valve Voltmeter

Measurable frequency 40 MHz

(5) SSG

Oscillating frequency 170 kHz ~ 40 MHz
ATT -20 dB ~ 120 dB

(6) Frequency Counter

Measurable frequency More than 40 MHz

1. PRELIMINARY WORK

(1) Knob Setting

Unless otherwise specified, knobs should be set to the following positions:

| | |
|---------|--------|
| RF GAIN | MAX |
| MODE | AM |
| ANL | OFF |
| TONE | NORMAL |
| SELEC | WIDE |
| MARKER | OFF |

(2) Connect an 8 Ω dummy load to EXT SP terminal.

(3) Power Supply Check

Prepare for the power supply of AC, 13.8V DC, and 12V DC (UM-1 x 8 or equivalent).

- (i) Confirm that POWER SW is OFF. Connect respective sources to the AC cord, external DC cord, and internal battery terminal. Examine whether respective source voltages are correctly maintained.
- (ii) Set POWER SW to ON and confirm that the meter and dial lamps are lit.
- (iii) Set LIGHT SW to ON and confirm that the meter and dial lamps are turned dim.
- (iv) Pull out the AC cord with POWER SW set to ON and check whether the lamps go out. Also confirm that these lamps are lit at normal brightness when the LIGHT SW is depressed.
- (v) Pull out the DC cord further and depress LIGHT SW. Confirm that the meter and dial lamps dimly

at that time.

- (vi) Again, connect the AC cord only.
- (vii) Check the power supply voltage.
 - (a) 13.8V at socket terminal 9 of AF/PS unit
 - (b) 9.0V at socket terminal 5 of AR/PS unit
 If there is an extreme fluctuation from 9V, adjust VR1 of AF/PS unit until 9V is obtained.

2. IF CIRCUIT ADJUSTMENT

(1) Adjustment of IFT and OSC Coil in RF IF Unit

- (i) Adjust IFT of the RF IF unit to obtain the required bandwidth and also adjust the local oscillator of F BAND.
- (ii) Adjustment
 - (a) Set BAND selector SW to A ~ E BAND, with SELEC SW in WIDE setting.
 - (b) Apply SSG output (455 kHz) to MGI terminal of the RF unit so that the S meter deflects by about 5 graduations.
 - (c) When input signal is swept in SSG mode, the S meter deflection appears as illustrated in Fig. 1.
 - (d) Adjust T1 and T4 of the RF unit and T1 and T2 of the IF unit so that a maximum S meter deflection can be obtained at the adjusting point (lower side of f).
 - (e) Set BAND selector switch to F BAND and connect the RF valve voltmeter to G2 of the RF unit.
 - (f) Turn the T3 core of the RF unit and fix it in a position 1/2 turn withdrawn from the maximum output point (about 0.7V rms).
 - (g) Set the SSG signal frequency to 4.034 MHz and adjust T2 of the RF unit until the S meter deflection becomes maximum at the S meter peak on lower side of f, in the same manner as for (c).

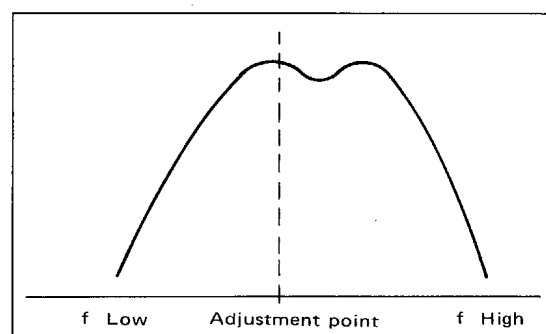


Fig. 1 S Meter Deflection

ADJUSTMENTS

3. COIL PACK ADJUSTMENT (Table 1)

Adjust trimmer and coil of the coil pack in the following order to the graduation of dial frequency.

Secure required sensitivity and selectivity.

- (i) Put the receiver so that the cursor line can be seen directly. Connect the AF valve voltmeter and oscilloscope to both ends of 8Ω dummy load, as illustrated in Fig. 2.

Receiver's knob setting positions are as follows:

- (a) MODE AM
- (b) SELEC NARROW
- (c) RF GAIN MAX
- (d) SPREAD DIAL 100°

- (ii) Adjustment should be started from 1.3 MHz of C BAND (because of rigorous sensitivity control). Set each knob to the maximum GAIN when inputting VR1 of RF unit to 1.3 MHz 6 dB and adjust it so that AF output is attained to 2V in AF, VR, MAX setting.
- (iii) Permissible frequency deviation at the tracking points should be such that the dial graduation end touches the edge of cursor line. (Repeat this adjustment 2 or 3 times.) Therefore, SSG should have been corrected in advance.
- (iv) In a high-frequency range of E ~ F BAND, care must be taken not to seize an image frequency. While signals are received by turning the dial of receiver, a higher frequency on the dial is the wanted one and a lower frequency is the image frequency. This relationship is reversed when the receiver dial is fixed and frequency tracing is effected in SSG mode.
- (v) All adjustments should be aimed to obtain peak deflections of S meter.
- (vi) Conditions for sensitivity measurement are SSG 1 kHz 30% in MODE-AM setting and 0.63V/ 8Ω for MOD input and AF output. Each knob should be adjusted until maximum sensitivity is obtained.

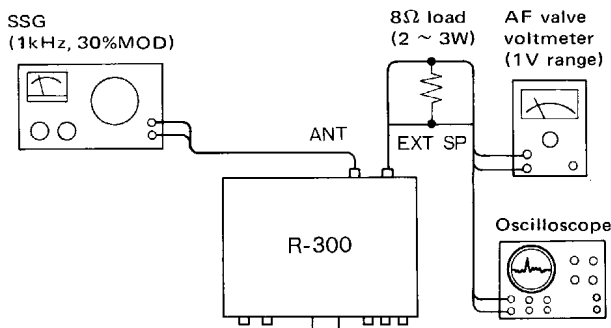


Fig. 2

4. BFO ADJUSTMENT

- (i) Set MODE SW to CW/SSB position and receive a signal (its frequency obtainable from previous adjustment). Obtain a maximum S meter deflection (S ~ 9 approximately) in SELEC NARROW setting.
- (ii) With the BFO knob set in the center, turn the T3 core of the IF unit through the adjusting hole of the rear panel and adjust it to a condition of zero beat.
- (iii) Turn the BFO knob to the right and left ends and confirm that the variation range is more than 2.5 kHz at both ends. If the variable range has deviated, check whether the knob is mounted correctly.

5. S METER ADJUSTMENT

- (i) Set RF GAIN to the minimum position and adjust S METER 0 ADJUST on the rear panel so that the S meter can be ready to start deflection at the left end of the scale.
- (ii) Set the receiver to D BAND (5 MHz) and the SELEC knob to NARROW position. Then apply unmodulated signal of about 20 dB from SSG and adjust respective knobs to the maximum sensitivity.
- (iii) Adjust semi-solid resistor VR1 of the IF unit so that a deflection of the S meter can be S-9 at that time.
- (iv) Confirm that SSB outputs for maintaining S-9 are respectively adjacent to the following values in the center frequency of each band. However, these values are merely for reference.

| BAND | Frequency | SSG ATT |
|------|-----------|---------|
| A | 280 kHz | 8 dB |
| B | 900 kHz | 10 dB |
| C | 2.0 MHz | 14 dB |
| D | 5.0 MHz | 20 dB |
| E | 12.0 MHz | 26 dB |
| F | 24.0 MHz | 21 dB |

6. MARKER ADJUSTMENT AND OPERATION CHECK

- (i) Connect a counter to the MKO terminal of marker unit. If a coaxial cable for ANT input is left connected to this MKO terminal at that time, counter's input level is lowered and counting is impossible. Therefore the coaxial cable should be disconnected in this case.
- (ii) Adjust TC1 of the marker unit so that marker's oscillating frequency attains 500.000Hz.
- (iii) Connect the coaxial cable for ANT input.
- (iv) Set the BAND selector SW to F BAND and receive marker signal at 19 MHz. Confirm that the S meter deflection is more than S-9 when each knob is adjusted to the maximum sensitivity.

ADJUSTMENTS

1 Adjustment is conducted in accordance with the chart for tracking adjustment.

| BAND | SSG & DIAL | SSG ATT (dB) | ANT TRIM position or output standard | No. | Adjustment point | Remarks |
|--------------------------------|--------------|---------------------------|---|--|----------------------|--|
| C | 1.3 MHz | *1 | To the center | 34 | L 15 : OSC-C coil | *1 Adjust SSG ATT until S meter deflection amounts to 5 ~ 6 graduations. *2 If ANT TRIM peak cannot be obtained for No. 39, move L3 slightly to the left. |
| | | | | 35 | L 3 : ANT-C coil | |
| | | | | 36 | L 9 : RF-C coil | |
| | 2.8 MHz | | | 37 | Tc 9 : OSC-C trimmer | |
| | | | | 38 | Tc 3 : RF-C trimmer | |
| | | | | *2 | 39 | |
| 1.3 MHz 2.0 MHz 2.8 MHz | 9 4 4 | S/N ratio more than 10 dB | | Repeat adjustments of No. 34 ~ 39 2 or 3 times in accordance with adjustments for BAND D. The RF unit need not be adjusted. | | |
| D | 3.4 MHz | *1 | 2 graduations from center to left | 1 | L16 : OSC-D coil I | *1 Adjust SSG ATT until S meter deflection amounts to 5 ~ 6 graduations. *2 If ANT TRIM peak cannot be obtained for No. 6, move L4 slightly to the left. |
| | | | | 2 | L 4 : ANT-D coil | |
| | | | | 3 | L10 : RF-D coil | |
| | 7.0 MHz | | | 4 | Tc10 : OSC-D trimmer | |
| | | | | 5 | Tc 4 : RF-D trimmer | |
| | | | | *2 | 6 | |
| 3.4 MHz 5.0 MHz 7.0 MHz | 9 6 6 | S/N ratio more than 10 dB | 7 | Repeat No. 1 ~ 6 adjustments 2 or 3 times until correct dial frequency is obtained and sensitivity standard (at left) is satisfied. If sensitivity is still insufficient, turn VR1 of the RF unit until the standard requirement is met at 3.4 MHz. (Fix VR1 to a point slightly before saturation of AF output at 3.4 MHz, 9 dB input.) | | |
| E | 8.0 MHz | *1 | To the center | 8 | L17 : OSC-E coil | *1 Adjust SSG ATT until S meter deflection amounts to 5 ~ 6 graduations. *2 If ANT TRIM peak cannot be obtained for No. 13, move L5 slightly to the left. |
| | | | | 9 | L 5 : ANT-E coil | |
| | | | | 10 | L11 : RF-E coil | |
| | 17 MHz | | | 11 | Tc11 : PSC-E trimmer | |
| | | | | 12 | Tc 5 : RF-E trimmer | |
| | | | | *2 | 13 | |
| 8.0 MHz 12 MHz 17 MHz | 14 9 9 | S/N ratio more than 10 dB | 14 | Repeat adjustments of No. 8 ~ 13 2 or 3 times in accordance with adjustments for BAND D. VR1 of RF unit need not be adjusted. | | |
| F | 19 MHz | *1 | To the center | 15 | L 18 : OSC-F coil | *1 Adjust SSG ATT until S meter deflection amounts to 5 ~ 6 graduations. *2 If ANT TRIM peak cannot be obtained for No. 20, move L6 slightly to the left. |
| | | | | 16 | L 6 : ANT-F coil | |
| | | | | 17 | L 12 : RF-F coil | |
| | 29 MHz | | | 18 | Tc12 : OSC-F trimmer | |
| | | | | 19 | Tc 6 : RF-F trimmer | |
| | | | | *2 | 20 | |
| 19 MHz 24 MHz 29 MHz | 14 9 6 | S/N ratio more than 10 dB | 21 | Repeat adjustments of No. 15 ~ 20 2 or 3 times in accordance with adjustments for BAND D. VR1 of RF unit need not be adjusted. | | |
| A | 190 kHz | *1 | Move the variable condenser fully to the right. | 22 | L 13 : OSC-A coil | *1 Adjust SSG ATT until S meter deflection amounts to 5 ~ 6 graduations. *2 ANT TRIM is not used. |
| | | | | 23 | L 1 : ANT-A coil | |
| | | | | 24 | L 7 : RF-A coil | |
| | 380 kHz | | | 25 | Tc 7 : OSC-A trimmer | |
| | | | | 26 | Tc 1 : RF-A trimmer | |
| | | | | *2 | | |
| 190 kHz 280 kHz 380 kHz | 9 6 6 | S/N ratio more than 10 dB | 27 | Repeat adjustments of No. 22 ~ 26 2 or 3 times in accordance with adjustments for BAND D. VR1 of RF unit need not be adjusted. | | |
| B | 600 kHz | *1 | Move the variable condenser fully to the right. | 28 | L 14 : OSC-B coil | *1 Adjust SSG ATT until S meter deflection amounts to 5 ~ 6 graduations. *2 ANT TRIM is not used. |
| | | | | 29 | L 2 : ANT-B coil | |
| | | | | 30 | L 8 : RF-B coil | |
| | 1200 kHz | | | 31 | Tc 8 : OSC-B trimmer | |
| | | | | 32 | Tc 2 : RF-B trimmer | |
| | | | | *2 | | |
| 600 kHz 900 kHz 1200 kHz | 9 4 4 | S/N ratio more than 10 dB | 33 | Repeat adjustments of No. 29 ~ 32 2 or 3 times in accordance with adjustments for BAND D. VR1 of RF unit need not be adjusted. | | |

Table 1

ADJUSTMENTS

7. ANL OPERATION CHECK

- (i) Connect SSG and noise generator to the ANT terminal of receiver. Set MODE SW to AM and receive a proper AM signal from SSG.
- (ii) Switch on the noise generator and impose a noise signal on the AM signal.
- (iii) Set ANL to ON watching at the oscilloscope. Confirm that the noise peak level is limited at that time.
- (iv) Switch off the noise generator and set ANL from OFF to ON. Confirm that the output level is lowered by 10 dB or less at that time.

8. TONE CHECK

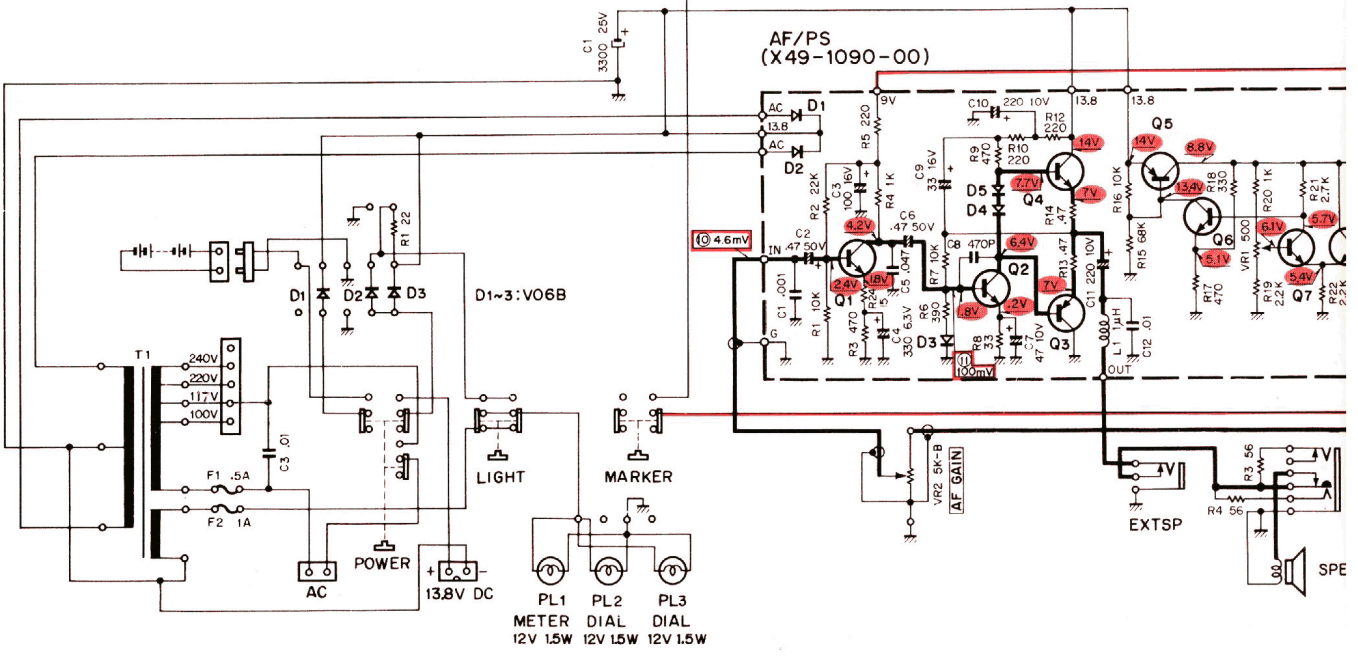
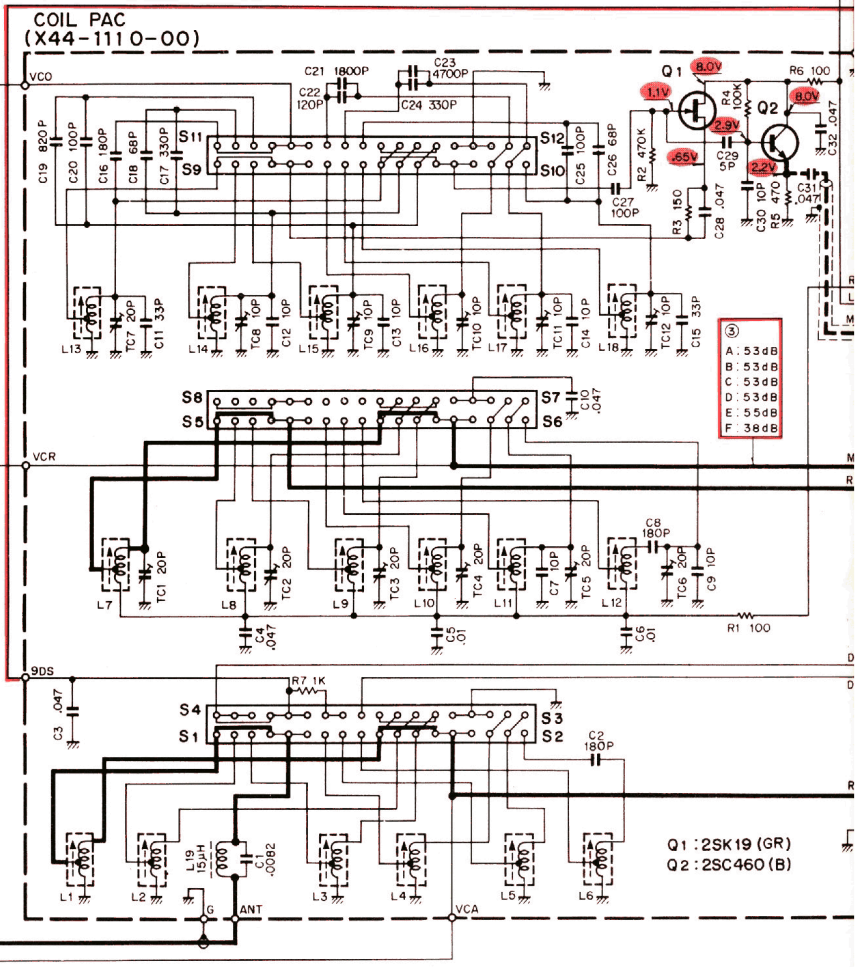
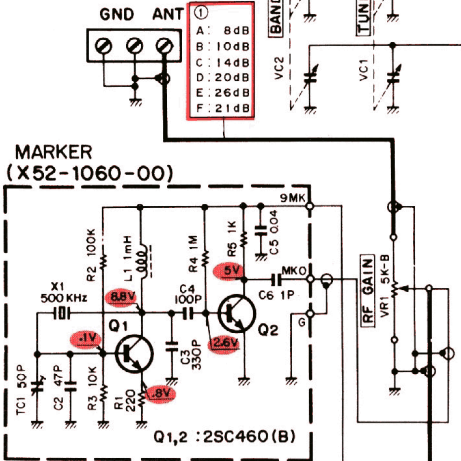
- (i) Apply an AM signal of 1 kHz 30% modulation to the receiver (TONE to be set to NORMAL).
- (ii) Confirm that the output level is lowered by 6 dB or less when TONE SW is set to SOFT.

(Note) Level Diagram

1 ~ 7 denote SSG outputs necessary for obtaining S-9 deflections at the S meter.

8 ~ 11 denote AG output necessary for obtaining AF output of 1W.

— Signal line
 Oscillation and control signal line



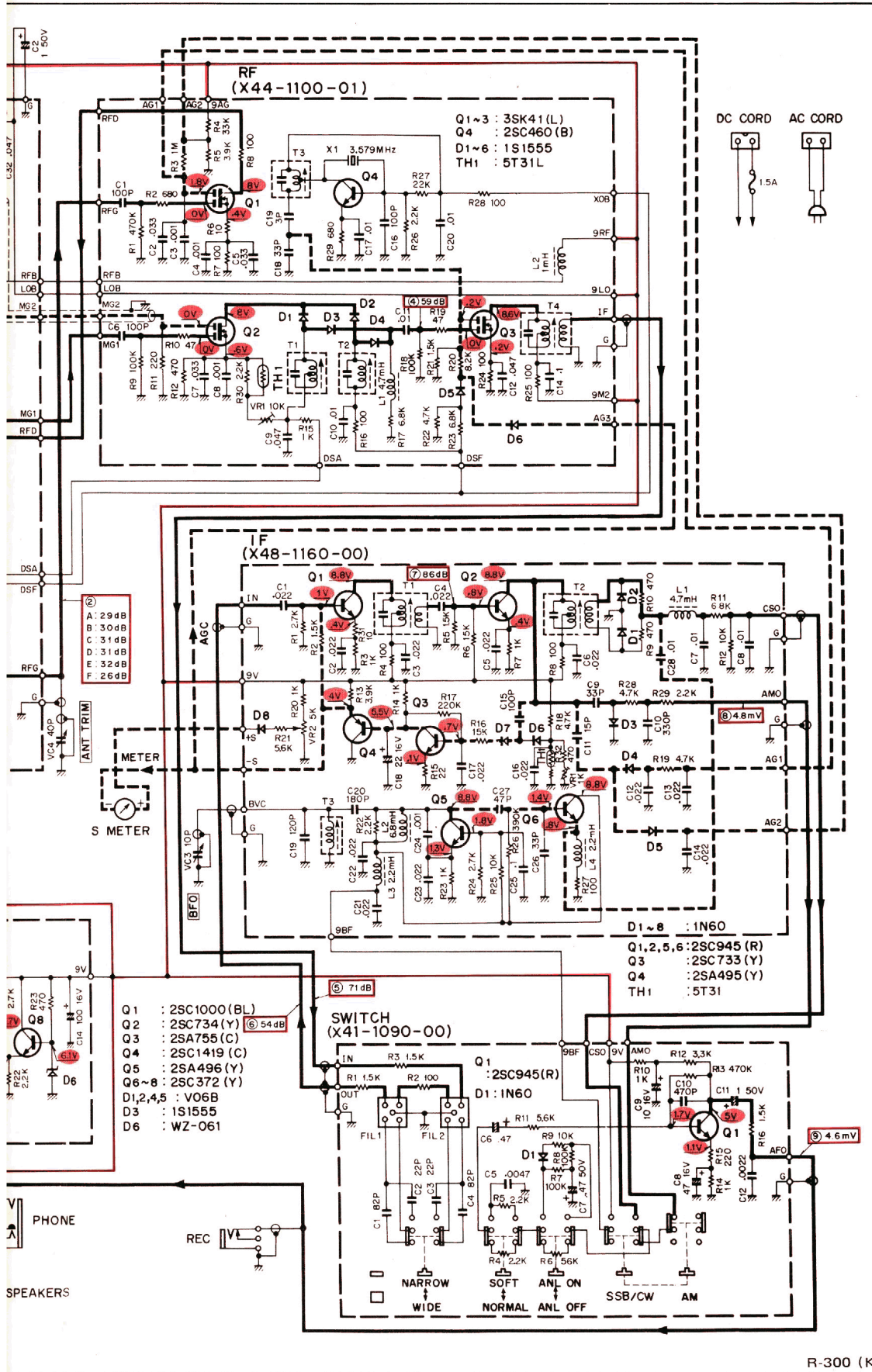
GND ANT

| | |
|---|-------|
| A | 8 dB |
| B | 10 dB |
| C | 14 dB |
| D | 20 dB |
| E | 26 dB |
| F | 21 dB |

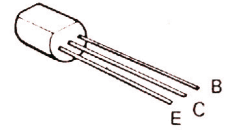
①

| | |
|---|-------|
| A | 53 dB |
| B | 53 dB |
| C | 53 dB |
| D | 53 dB |
| E | 55 dB |
| F | 38 dB |

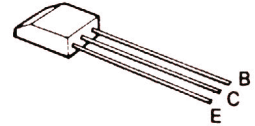
MATIC DIAGRAM



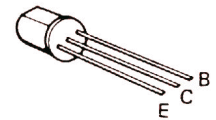
2SC945



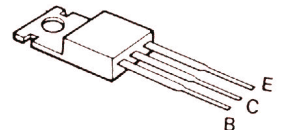
2SC460



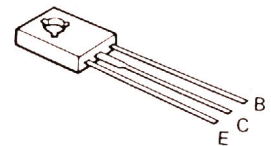
2SC372
2SC733
2SA495
2SC1000
2SC734



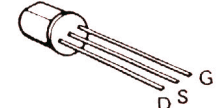
2SA755
2SC1419



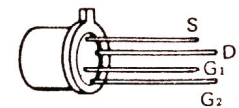
2SA496



2SK19



3SK41



R-300 (K)

TRIO-KENWOOD COMMUNICATIONS, INC.

■ 116 EAST ALONDRA BOULEVARD, GARDENA, CALIFORNIA 90248 U.S.A.

TRIO-KENWOOD ELECTRONICS, N.V.

■ HARENSESTEENWEG, 484. 1800 VILVOORDE, BELGIUM.

TRIO-KENWOOD CORPORATION

■ 6-17, 3-CHOME, AOBADAI, MEGURO-KU, TOKYO, JAPAN.