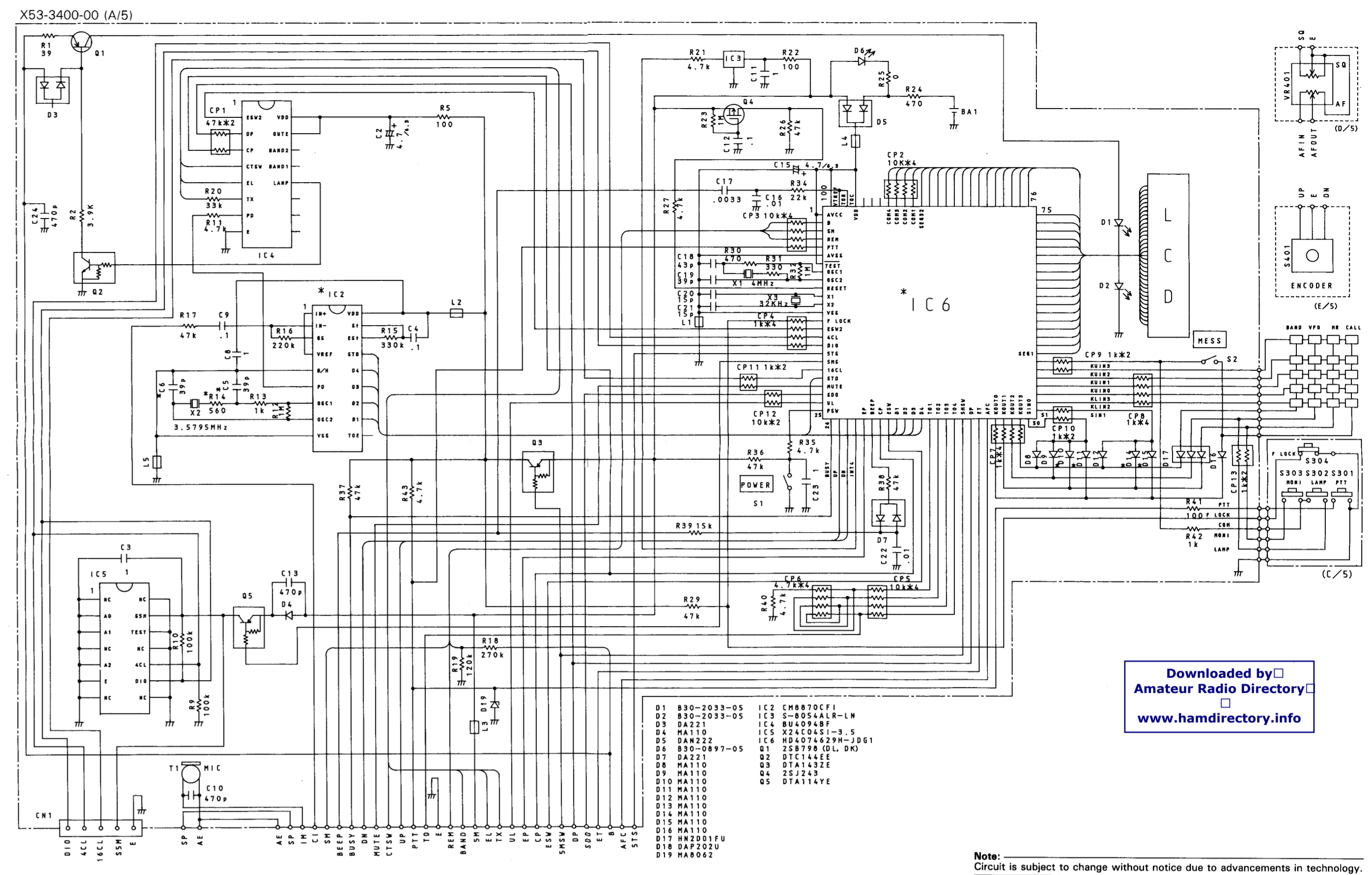
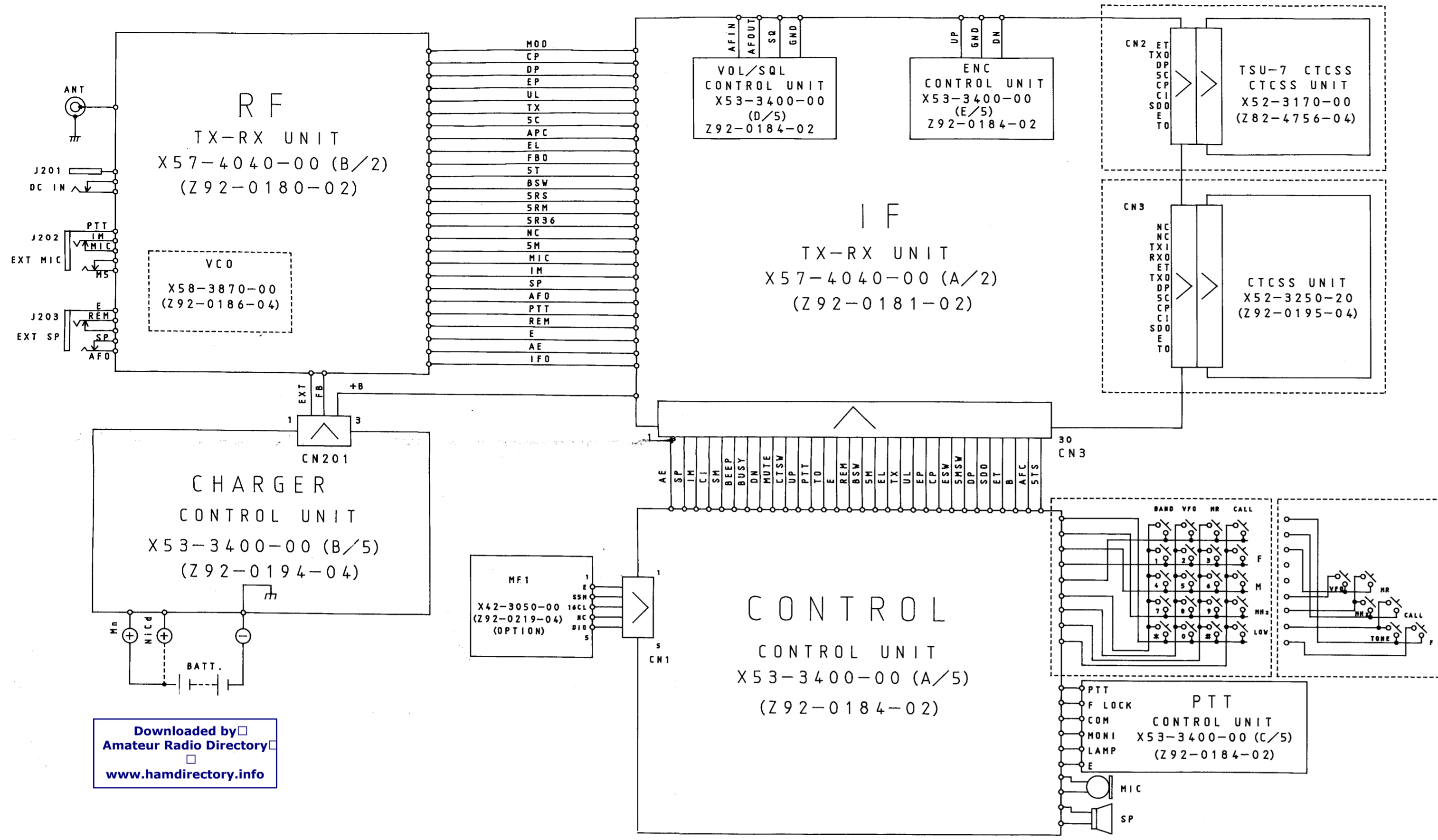


TH-28A/E SCHEMATIC DIAGRAM

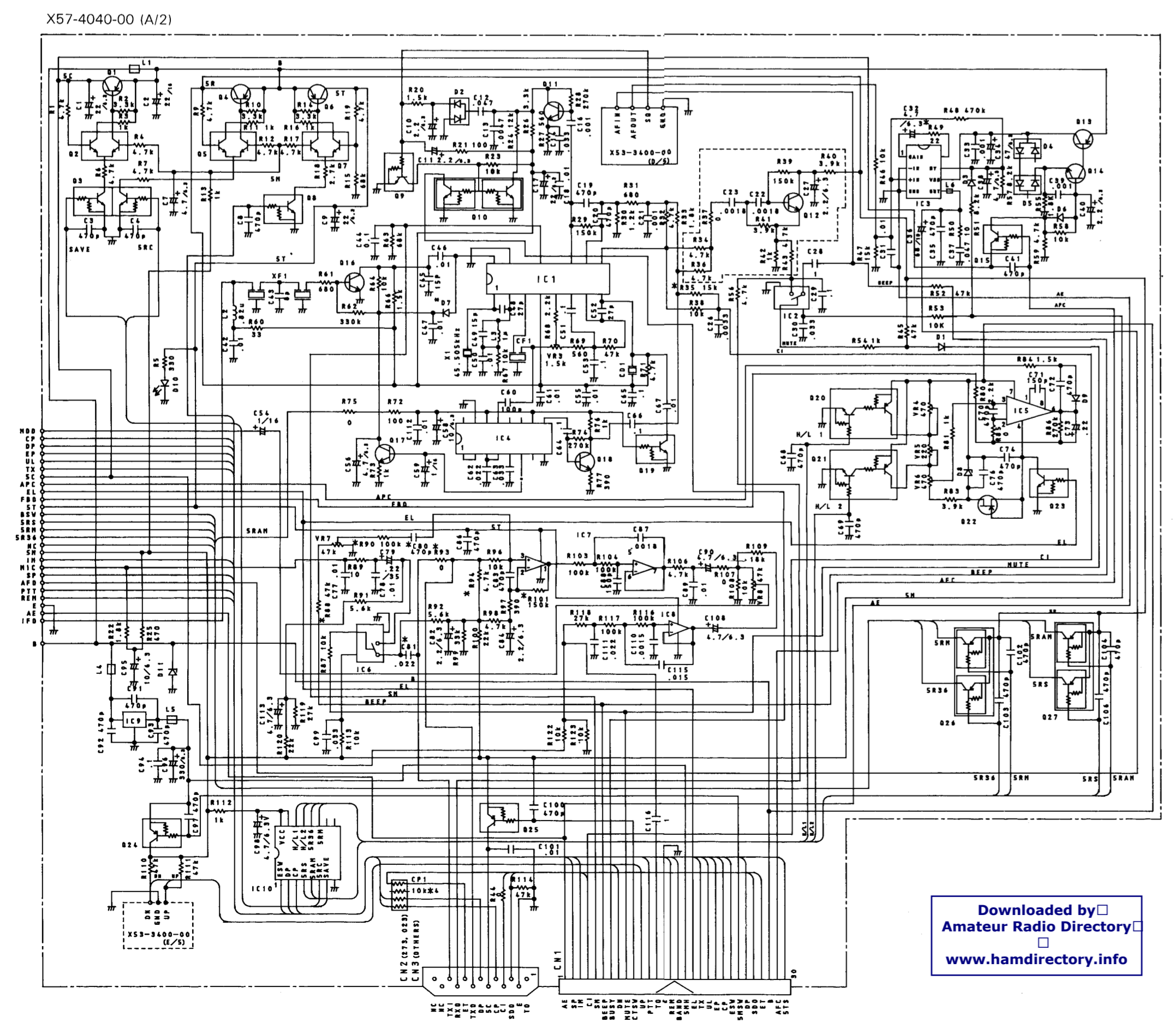


Downloaded by
Amateur Radio Directory
www.hamdirectory.info

Downloaded by
Amateur Radio Directory
www.hamdirectory.info

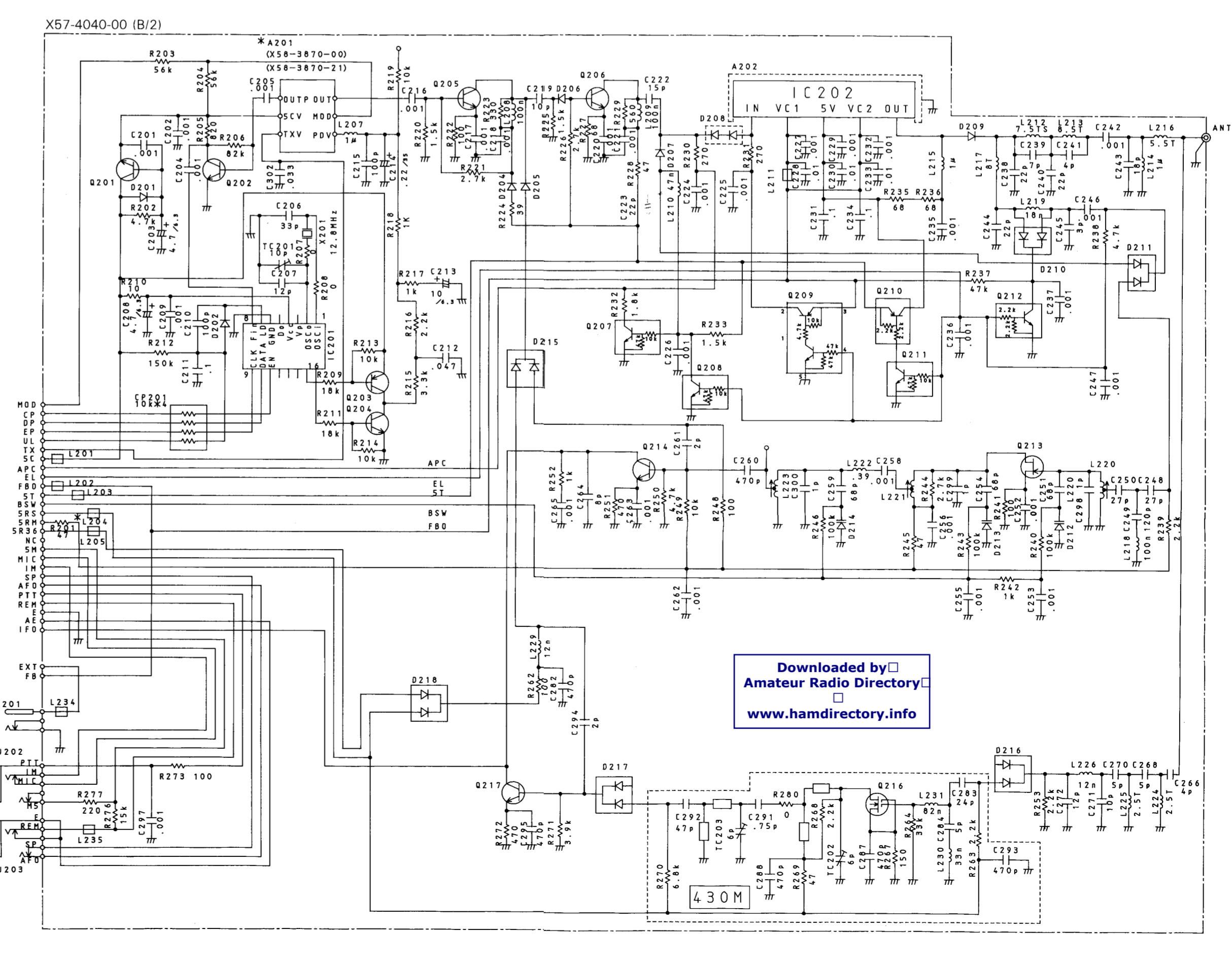
Note:
Circuit is subject to change without notice due to advancements in technology.

TH-28/TH-48 2/3



- 01 MA110
- 02 MA112
- 03 MA122
- 04 MA231
- 05 MA232
- 06 MA110
- 07 MA178
- 08 MA232
- 09 MA232
- 10 MA232
- 11 MA232
- 12 MA232
- 13 MA232
- 14 MA232
- 15 MA232
- 16 MA232
- 17 MA232
- 18 MA232
- 19 MA232
- 20 MA232
- 21 MA232
- 22 MA232
- 23 MA232
- 24 MA232
- 25 MA232
- 26 MA232
- 27 MA232
- 28 MA232
- 29 MA232
- 30 MA232
- 31 MA232
- 32 MA232
- 33 MA232
- 34 MA232
- 35 MA232
- 36 MA232
- 37 MA232
- 38 MA232
- 39 MA232
- 40 MA232
- 41 MA232
- 42 MA232
- 43 MA232
- 44 MA232
- 45 MA232
- 46 MA232
- 47 MA232
- 48 MA232
- 49 MA232
- 50 MA232
- 51 MA232
- 52 MA232
- 53 MA232
- 54 MA232
- 55 MA232
- 56 MA232
- 57 MA232
- 58 MA232
- 59 MA232
- 60 MA232
- 61 MA232
- 62 MA232
- 63 MA232
- 64 MA232
- 65 MA232
- 66 MA232
- 67 MA232
- 68 MA232
- 69 MA232
- 70 MA232
- 71 MA232
- 72 MA232
- 73 MA232
- 74 MA232
- 75 MA232
- 76 MA232
- 77 MA232
- 78 MA232
- 79 MA232
- 80 MA232
- 81 MA232
- 82 MA232
- 83 MA232
- 84 MA232
- 85 MA232
- 86 MA232
- 87 MA232
- 88 MA232
- 89 MA232
- 90 MA232
- 91 MA232
- 92 MA232
- 93 MA232
- 94 MA232
- 95 MA232
- 96 MA232
- 97 MA232
- 98 MA232
- 99 MA232
- 100 MA232

Downloaded by
Amateur Radio Directory
www.hamdirectory.info



Downloaded by
Amateur Radio Directory
www.hamdirectory.info

Note:
Circuit is subject to change without notice due to advancements in technology.