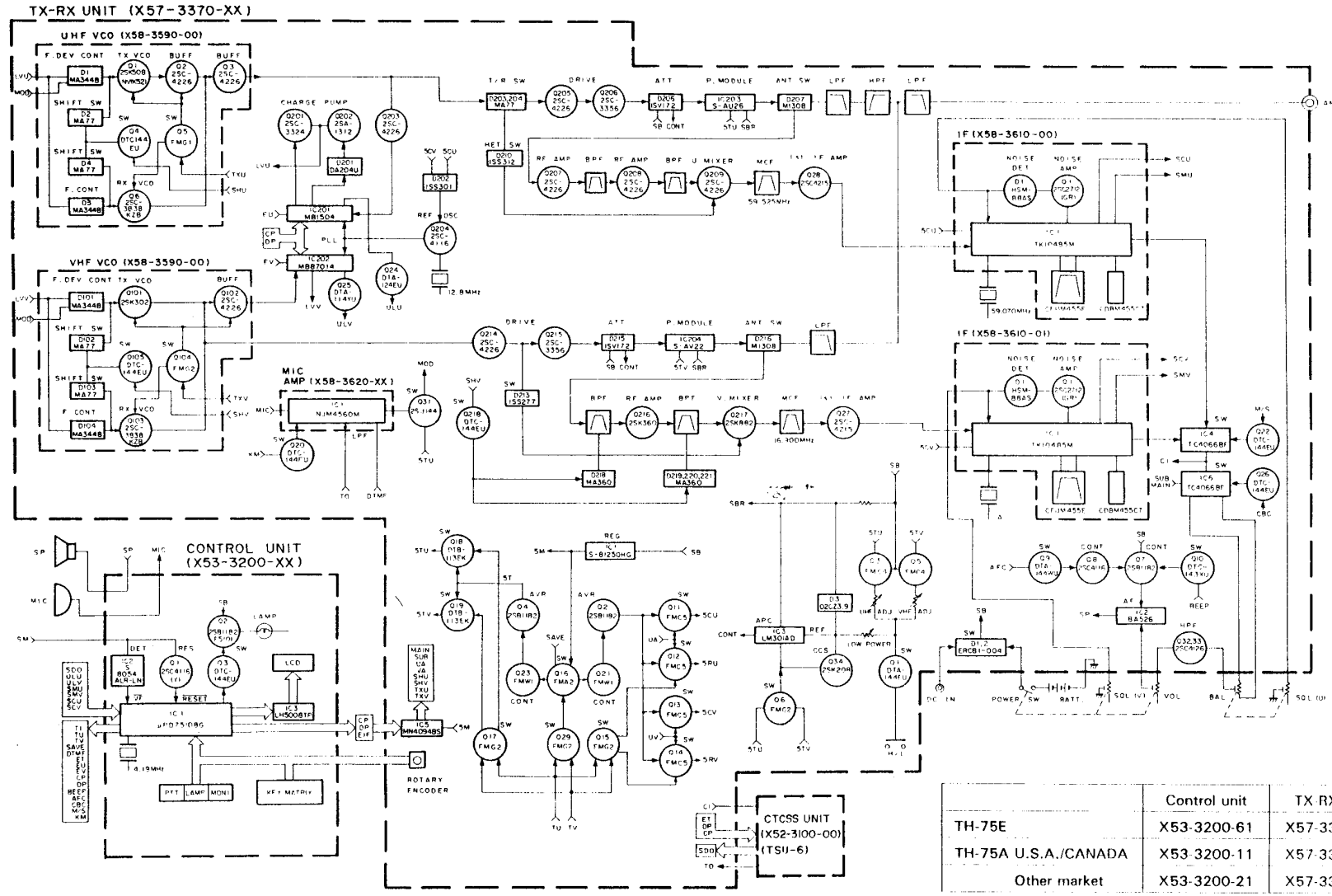


6. TH-75 BLOCK DIAGRAM

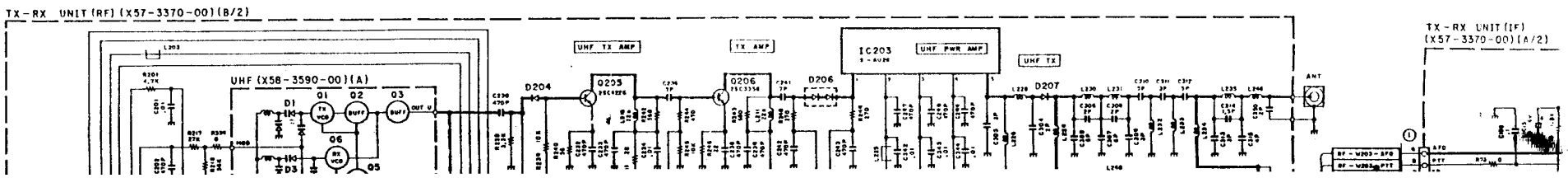
Downloaded by
 Amateur Radio Directory



TH-75A U.S.A. & CANADA	
D-2	○
D-3	○
D-4	○
W-1	○

	Control unit	TX RX unit	CTCSS unit	A	MIC AMI
TH-75E	X53-3200-61	X57-3370-61	OPTION	16.445 MHz	X58-3620
TH-75A U.S.A./CANADA	X53-3200-11	X57-3370-11	X53-3100-00	17.355 MHz	X58-3620
Other market	X53-3200-21	X57-3370-11	OPTION	17.355 MHz	X58-3620

SCHEMATIC DIAGRAM



CONTROL UNIT (X53-3200-00)

- (X53-3200-00)
- IC1 : 75108G-E49-1B
- IC2 : S-8054ALR-LN
- IC3 : LH5008TP
- IC4 : KRR-C001

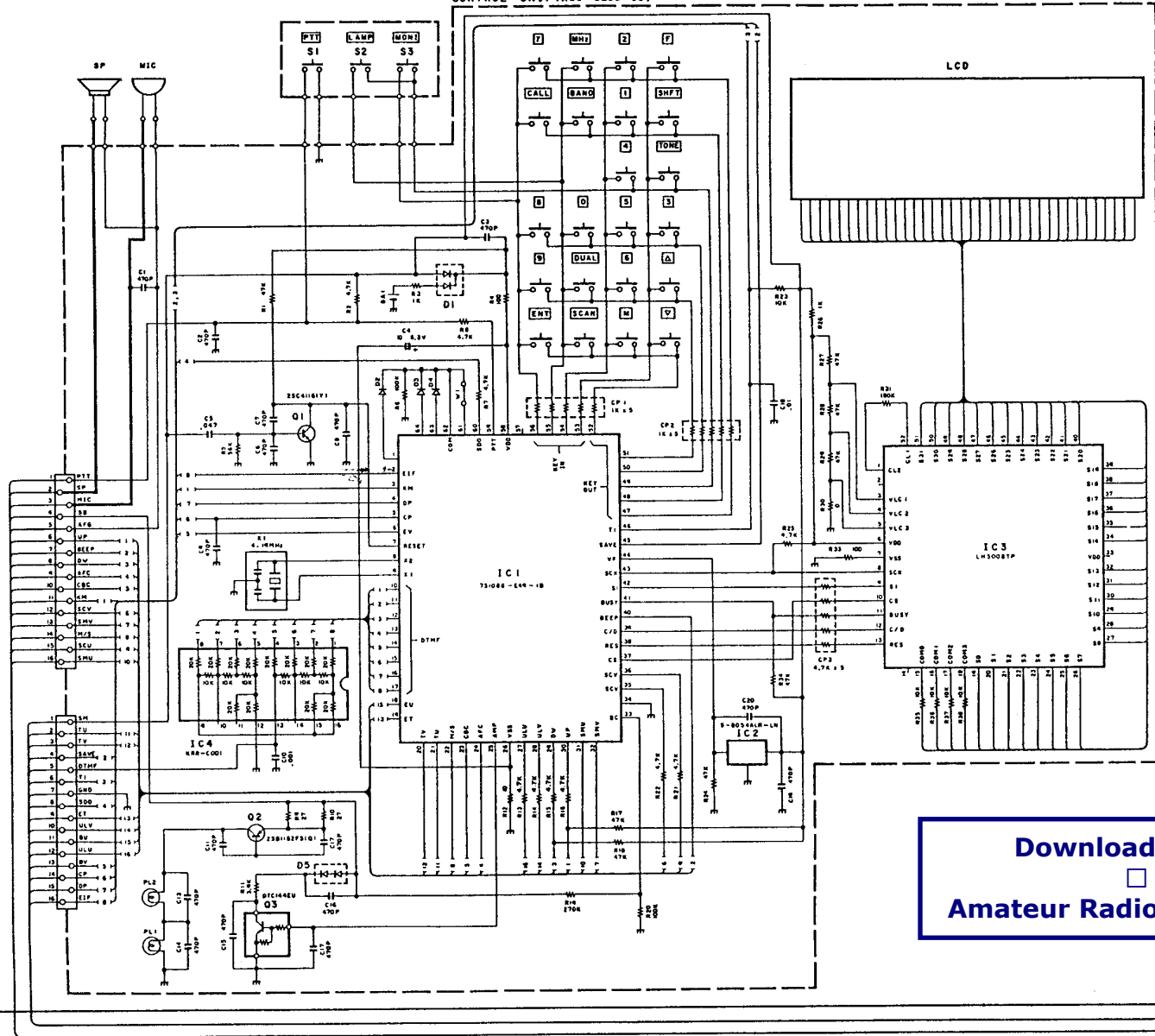
- Q1 : 2SC4116(Y)
- Q2 : 2SB1182F5(Q)
- Q3 : DTC144EU

- D1 : DAN202U
- D5 : DA204U

- (X57-3370-001(A/2))
- IC1 : S-81250HG
- IC2 : BA526
- IC3 : LM301AD
- IC4,6 : TC4066BF
- IC5 : MN4094BS

- Q1 : DTA144EU
- Q2,4,7 : 2SB1182
- Q3,5 : FMC4
- Q6,15,17,29 : FMC2
- Q8,30,32,33 : 2SC4116
- Q9 : DTA144WU
- Q10 : DTC143XU
- Q11-14 : FMC5
- Q16 : FMA2

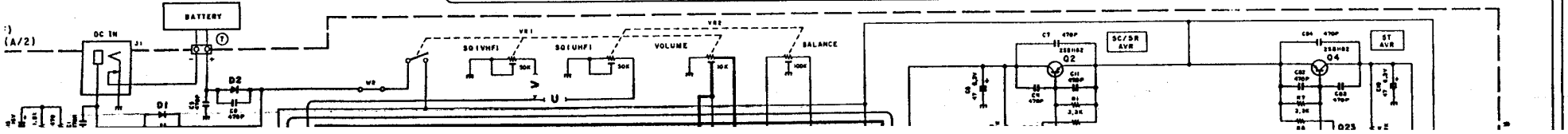
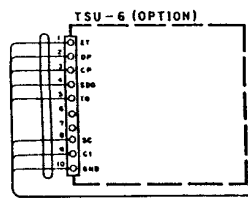
- Q18,19 : DTB113EK
- Q20,22,26 : DTC144EU
- Q21,23 : FMW1
- Q24 : DTA124EU
- Q25 : DTA114YU
- Q27,28 : 2SC4215
- Q31 : 2SJ144
- Q34 : 2SK208
- Q35 : DTC144EU
- D1,2 : ERC81-004
- D3 : Q2C3.9
- D4 : 1SS301
- D5 : MA110



TH-75E	TH-75A other market
—	○
○	○
○	—
○	○

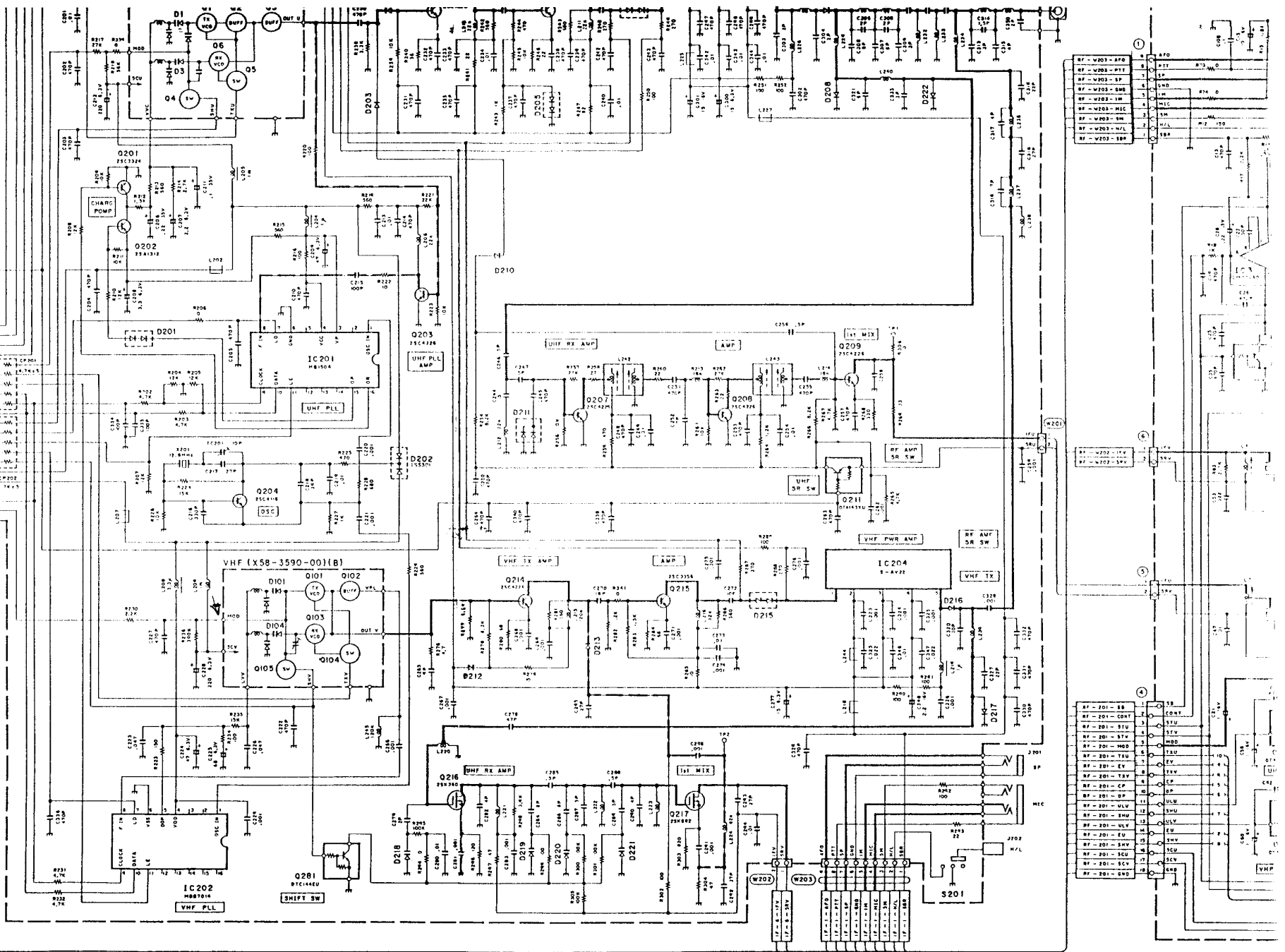
○ used
× N/A

- AMP
- 3620-00
- 3620-11
- 3620-00



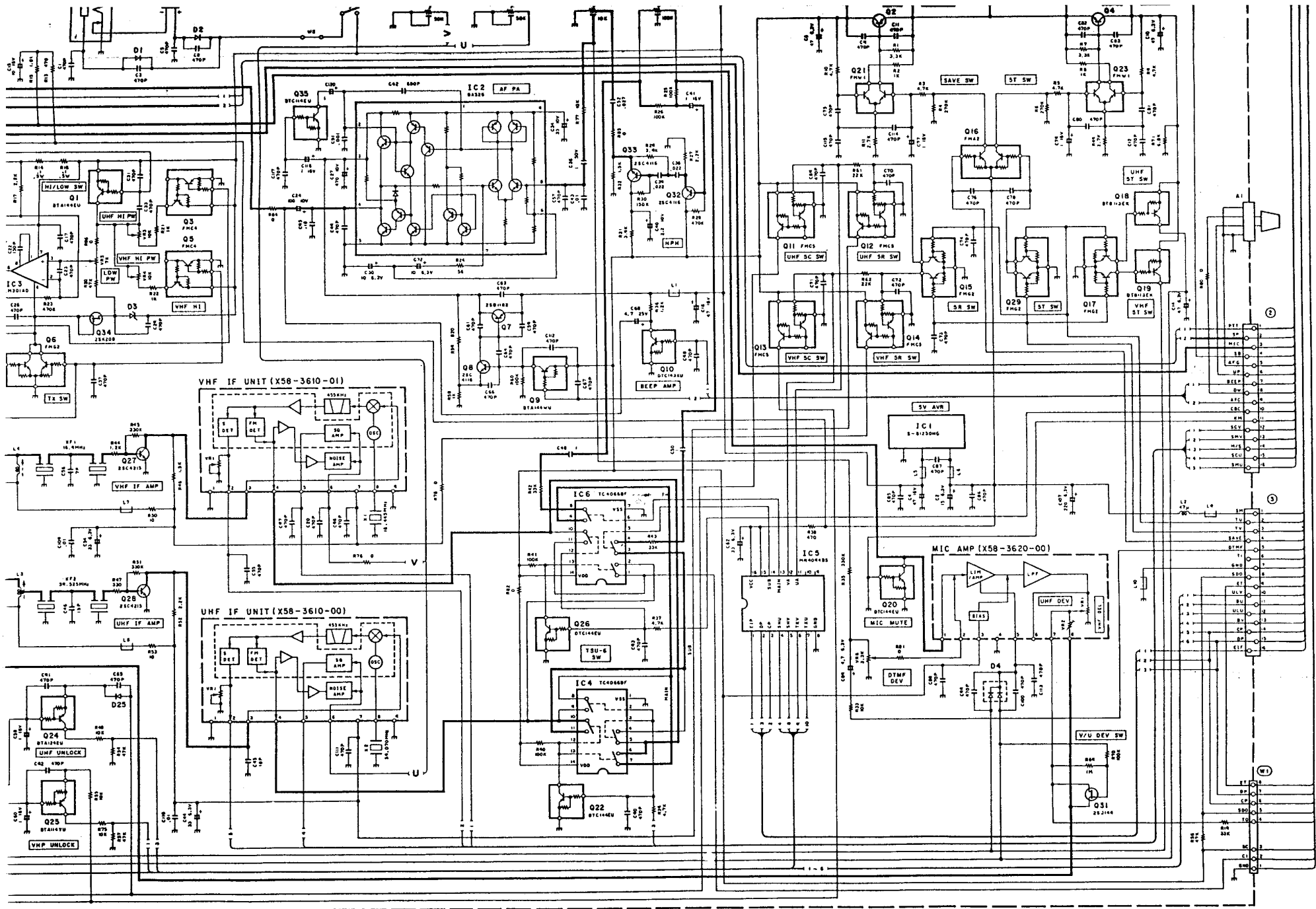
Downloaded by
Amateur Radio Directory

- IX57-3370-001(B) (2)
 - IC 201 MB1504
 - IC 202 MB87014
 - IC 203 S-AU25
 - IC 204 S-AV22
- | | |
|----------------|------------|
| Q201 | : 2SC3324 |
| Q202 | : 2SA1312 |
| Q203, 205, 207 | : 210, 214 |
| Q204 | : 2SC4226 |
| Q206, 215 | : 2SC4116 |
| Q211, 213 | : DTAI43XU |
| Q212 | : DTA144EU |
| Q216 | : 2SK360 |
| Q217 | : 2SK882 |
| Q218 | : DTC144EU |
- D201, 205 DA704U
 - D202 ISS301
 - D203, 204, 209 MA77
 - D206 ISV172
 - D207, 208 MI308
 - D210 ISS312
 - D211 HSM88AS
 - D212 MA110
 - D213 ISS277
 - D216 MI508
 - D217 ISV154
 - D218, 219 ~ 221 MA360
 - D222 HSK277



RF - W203-AFD
 RF - W203-PTT
 RF - W203-SW
 RF - W203-SM
 RF - W203-MIC
 RF - W203-NL
 RF - W203-SP

RF - 201-SS
 RF - 201-CONT
 RF - 201-STU
 RF - 201-STV
 RF - 201-TRV
 RF - 201-TRV
 RF - 201-CP
 RF - 201-SCV
 RF - 201-MLV
 RF - 201-MLV
 RF - 201-EU
 RF - 201-SKV
 RF - 201-GND



Note: Circuit is subject to change without notice due to advancements in technology.