

Downloaded by  
Amateur Radio Directory

Note: Circuits are subject to change without notice due to advancements in technology

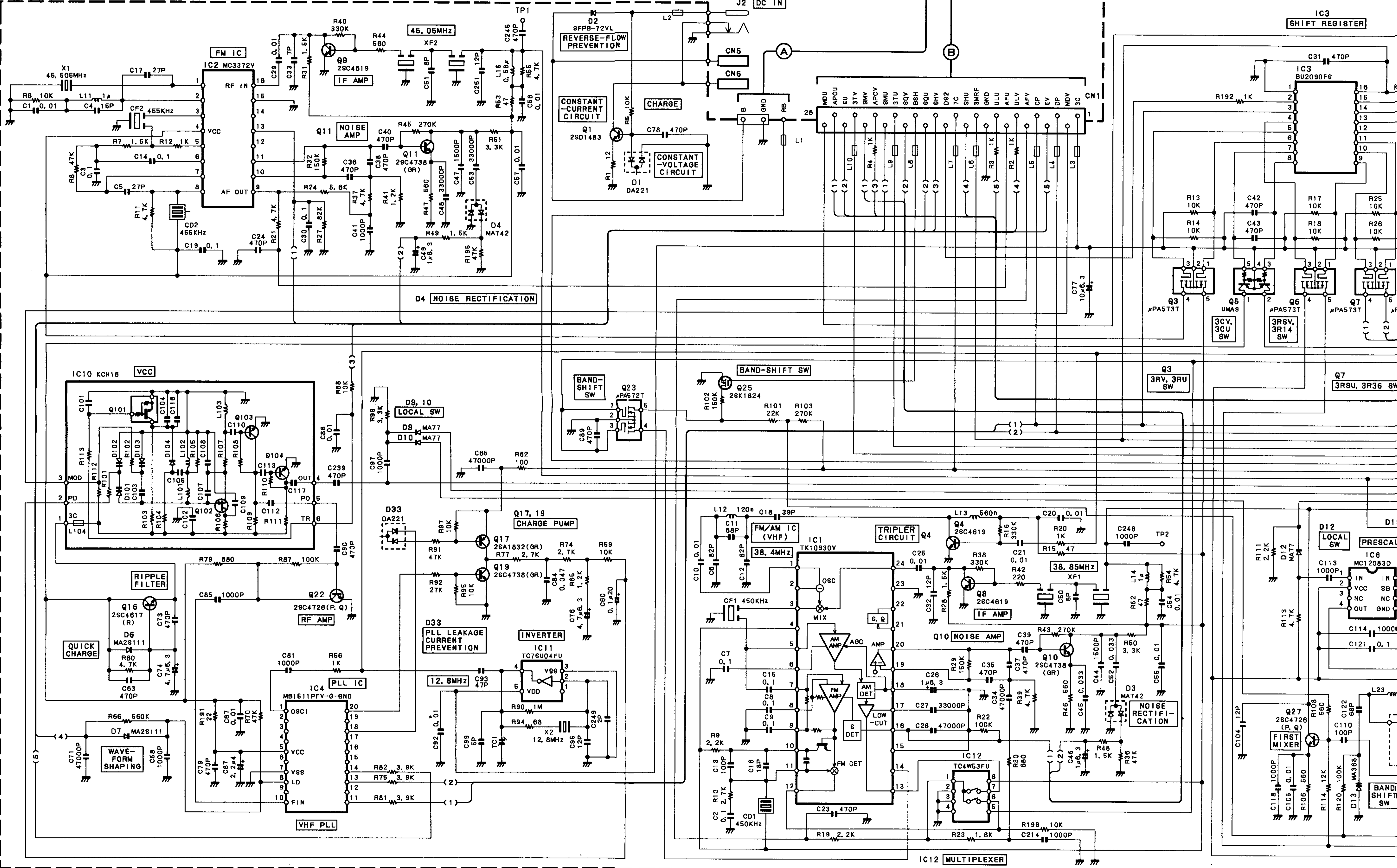


Downloaded by  
Amateur Radio Directory

REF. NO	L20	L28, 39, 41	L34	C102	C232	C120, 138, 143, 151, 154, 174	R194	R125, 134, 149, 154, 160	D21	Q31, 37, 41
ABB	L79-1109-05	NO	12n	5P	2P	NO	YES	NO	NO	NO
X, T, E, E2, E3, E9, M, M2, M3, M4	L79-1108-05	YES	15n	3P	1, 5P	YES	NO	YES	YES	YES

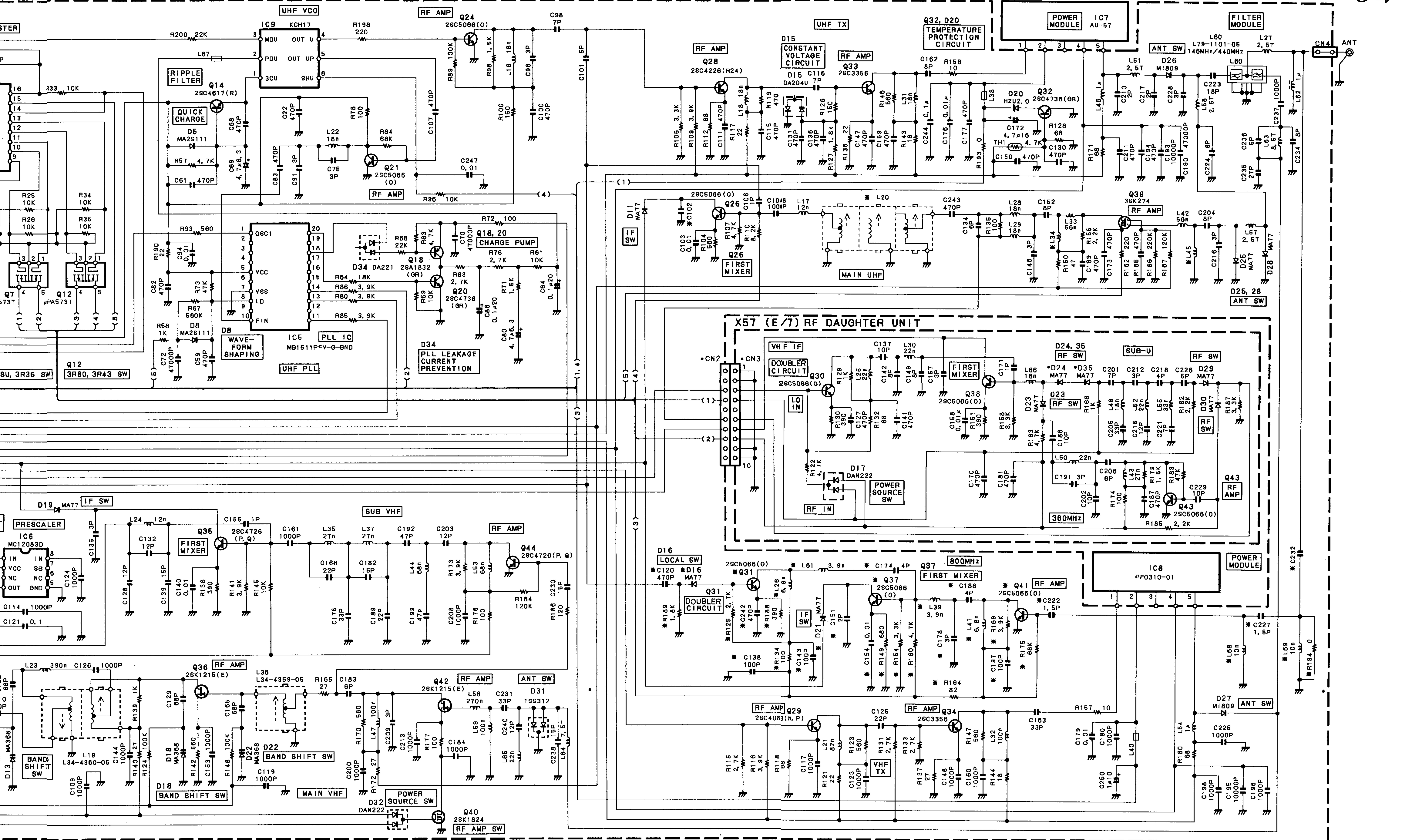
IC1	:TK10930V	IC6	:MC12083D	IC10	:KCH16	Q1	:2D1
IC2	:MC3372V	IC7	:AU-57	IC11	:TC78U04FU	Q3, 6, 7, 12	:μPA5
IC3	:BU2090FS	IC8	:PF0310-01	IC12	:TC4W53FU	Q4, 8, 9	:2IC4
IC4, 5	:MB1511PFV-G-BND	IC9	:KCH17			Q5	:UA9

X57-440X-XX(B/7) RF UNIT 0-11(K, P), 0-71(X), 2-71(T, E), 2-72(E2), 2-73(E3, E9), 0-21(M)





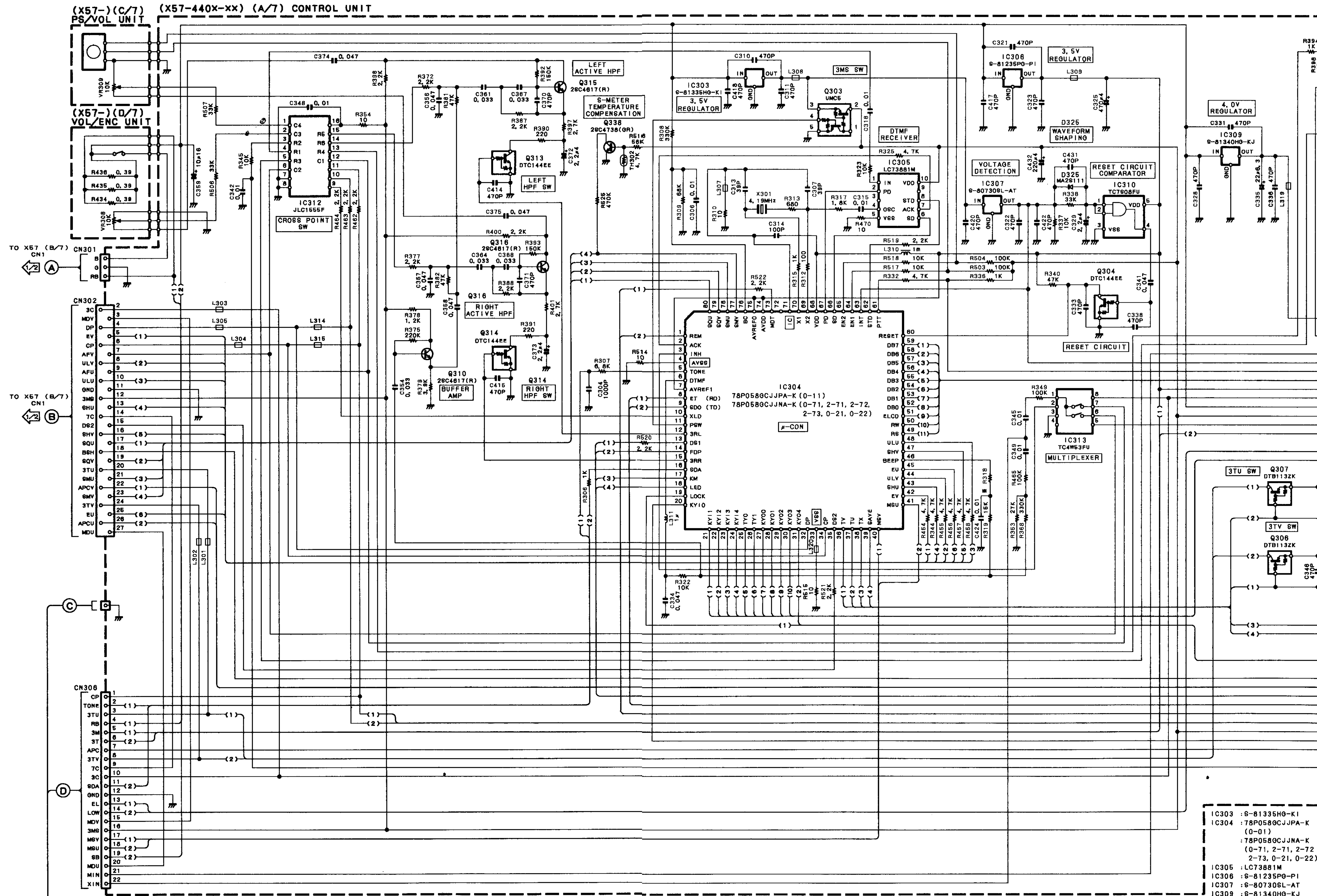
2:2D1483	Q10, 11, 19,	:28C4738(OR)	Q21, 24, 26,	:28C5066(O)	Q23	:PA572T	Q33, 34	:28C3356	D1, 14, 33, 34	:DA221	D9- 12, 16, 19, 21, 23-25	:MA77	D17, 32	:DAN222
:PA573T	20, 32		30, 31, 37,		Q25, 40	:28K1824	Q36, 42	:28K1215(E)	D2	:8FPB-72VL	28- 30, 35		D20	:HZU2, 0
:24C4619	Q14, 16	:28C4617(R)	38, 41, 43,		Q28	:28C4226(R24)	Q39	:38K274	D3, 4	:MA742	D13, 18, 22	:MA368	D26, 27	:M1809
:UA9	Q17, 18	:28A1832(OR)	Q22, 27, 35, 44	:28C4726(P, Q)	Q29	:28C4083(N, P)			D5-8	:MA28111	D15	:DA204U	D31	:188312



Note:  
Circuits are subject to change without notice due to advancements in tech

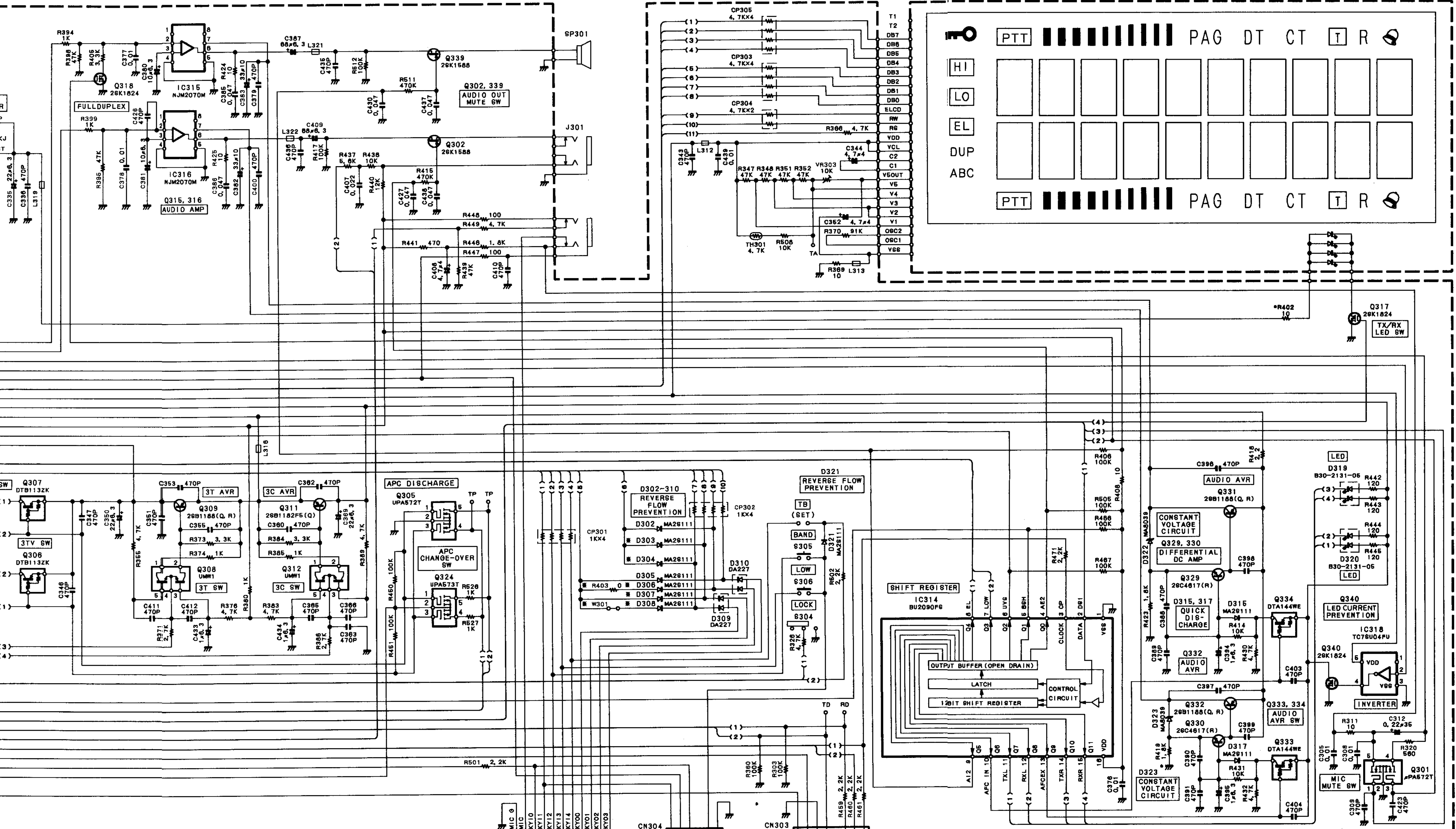


**SCHEMATIC DIAGRAM (2/3)**



- IC303 : 8-81335HG-K1
- IC304 : 78P0580CJJPA-K (0-01)
- IC305 : LC73881M
- IC306 : 8-81235PG-PI
- IC307 : 8-80730SL-AT
- IC309 : 8-81340HG-KJ





-81335H0-K1	IC310	:TC7S081FU	Q301, 305	:#PA572T	Q317, 318, 340	:28K1824
8P0580CJJA-K	IC312	:JLC15515F	Q302, 339	:28K1588	Q324	:#PA573T
0-01)	IC313	:TC4W631FU	Q303	:UMC5	Q333, 334	:DTA144WE
8P0580CJJA-K	IC314	:BU20901F6	Q304, 313, 314	:DTC144EE	Q338	:28C4738(OR)
0-71, 2-71, 2-72	IC315, 316	:NJM2070M	Q306, 307	:DTB113ZK		
2-73, 0-21, 0-22)	IC318	:TC78U04FU	Q308, 312	:UMM1	D302-308, 315	:MA28111
C73881M			Q309, 331, 332	:28B1182F5(Q, R)	317, 321, 325	
-81235P0-PI			Q310, 315, 316	:28C4817(R)	D309, 310	:DA227
-80730SL-AT			329, 330	:D322, 323		:MA8039
-81340H0-KJ			Q311	:28B1182F5(Q)	D319, 320	:B30-2131-05

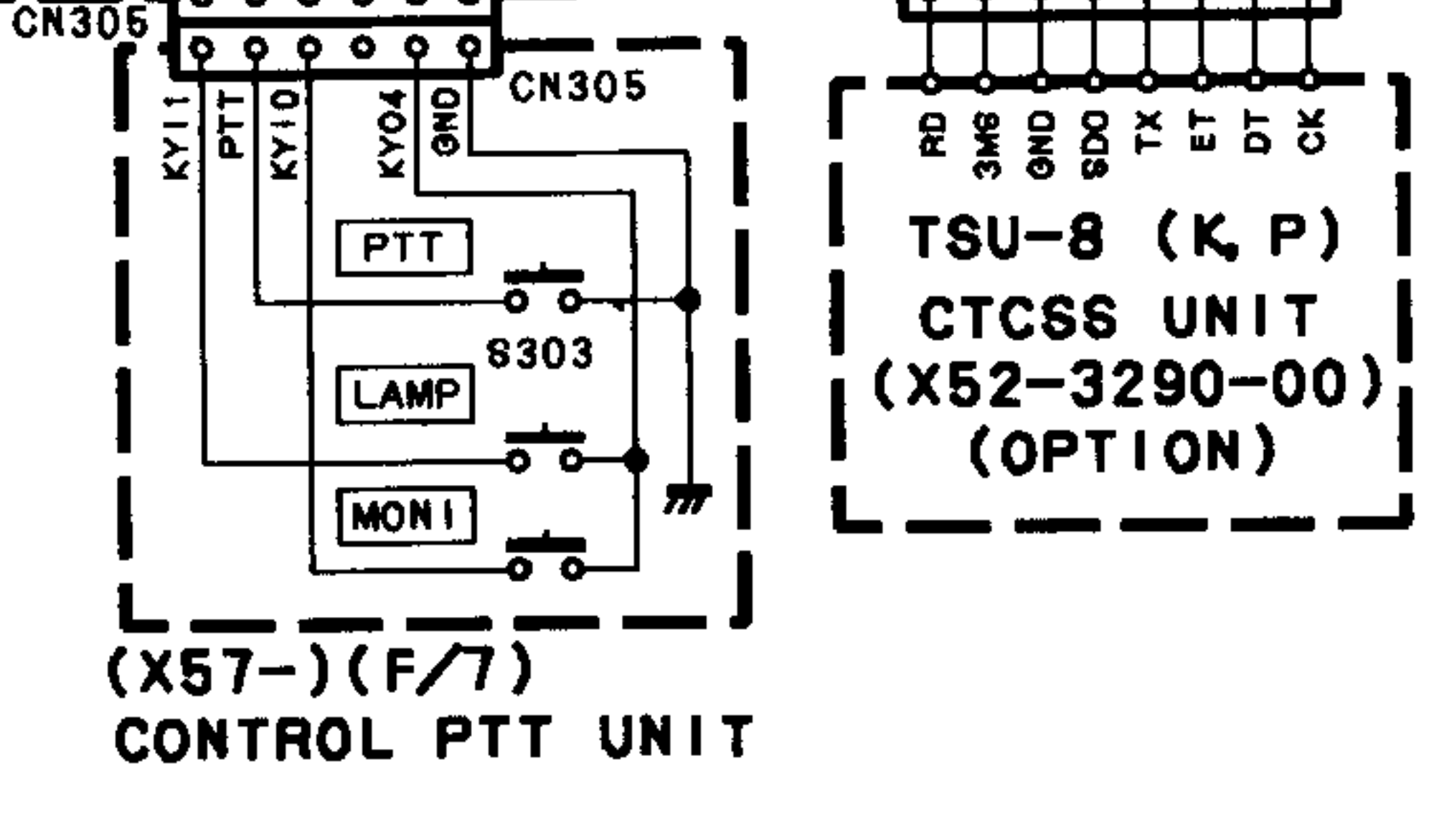
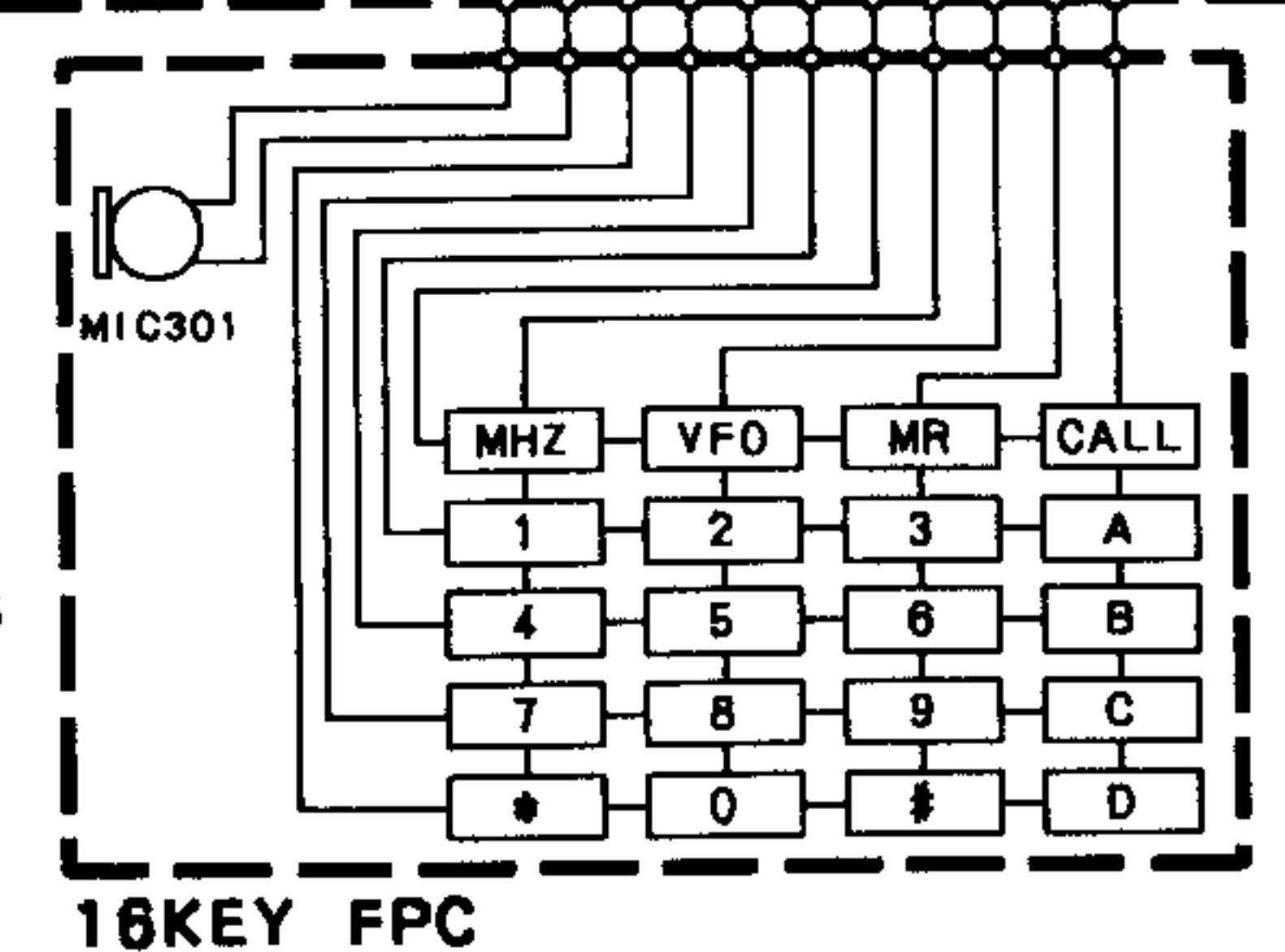
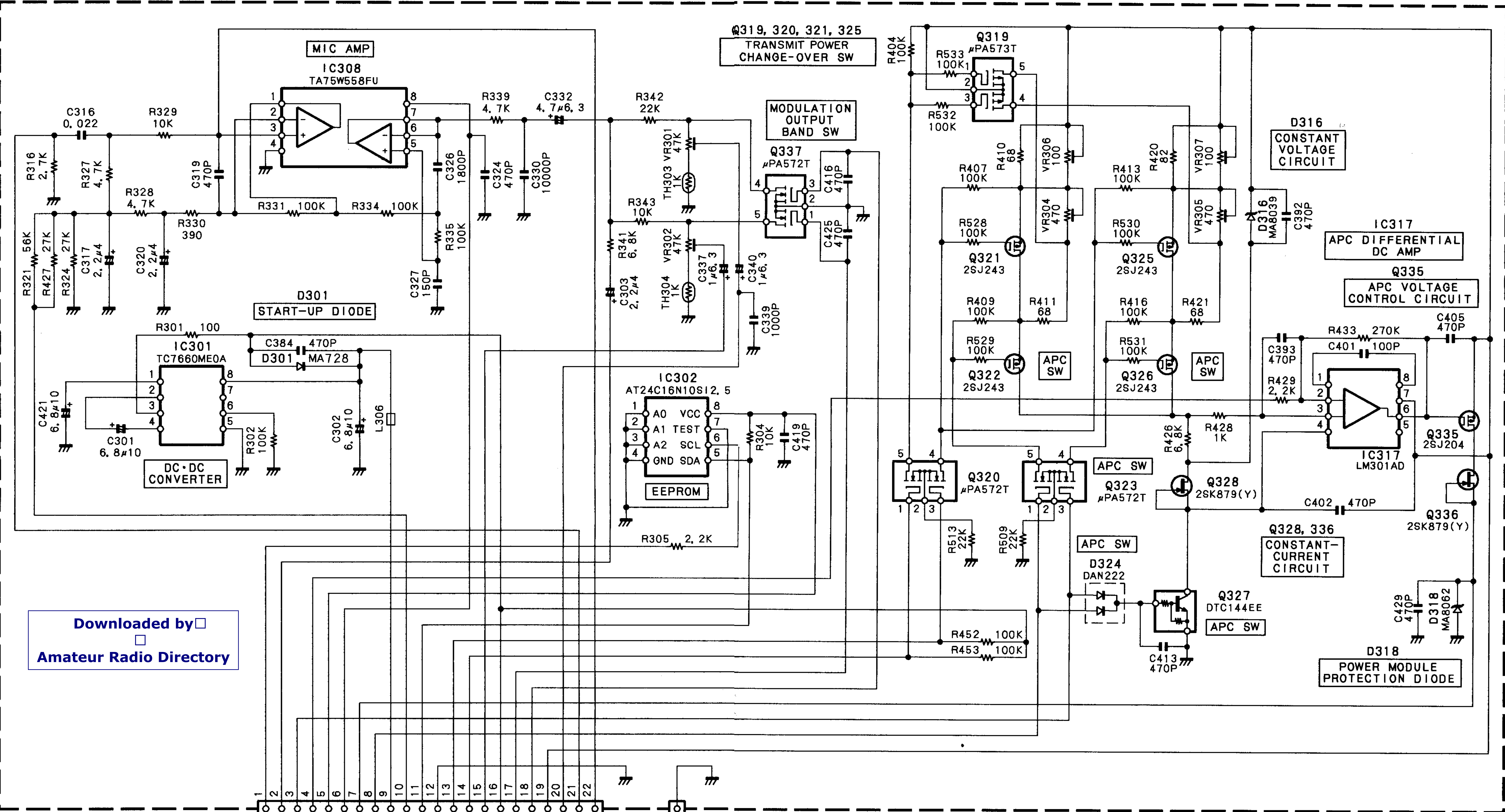


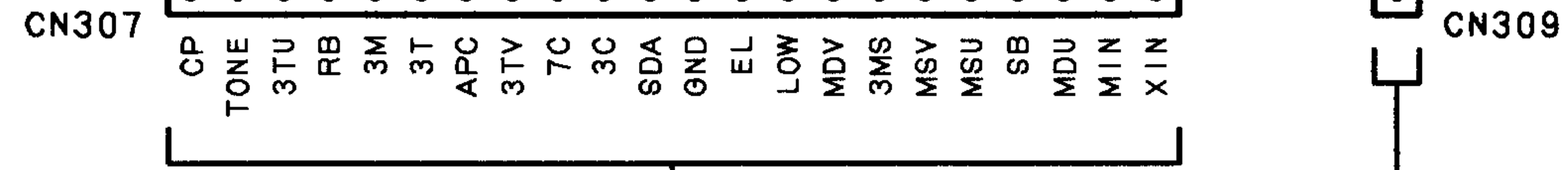
ABB	Ref. NO UNIT	D303	D304	D306	D307	D308	R318	R403	W301	TSU-8
K, P	0-11	YES		NO	YES	YES	15K	NO	YES	YES
X	0-71		YES		NO	NO			NO	NO
T, E	2-71				YES	YES	18K	YES	NO	YES
E2	2-72	NO				NO		NO	NO	NO
E3, E9	2-73			YES	YES	NO	15K	YES	NO	NO
M	0-21	YES	NO			YES		NO	YES	NO
M2, M3, M4	0-22					NO			NO	NO

Note: Circuits are subject to change without notice.

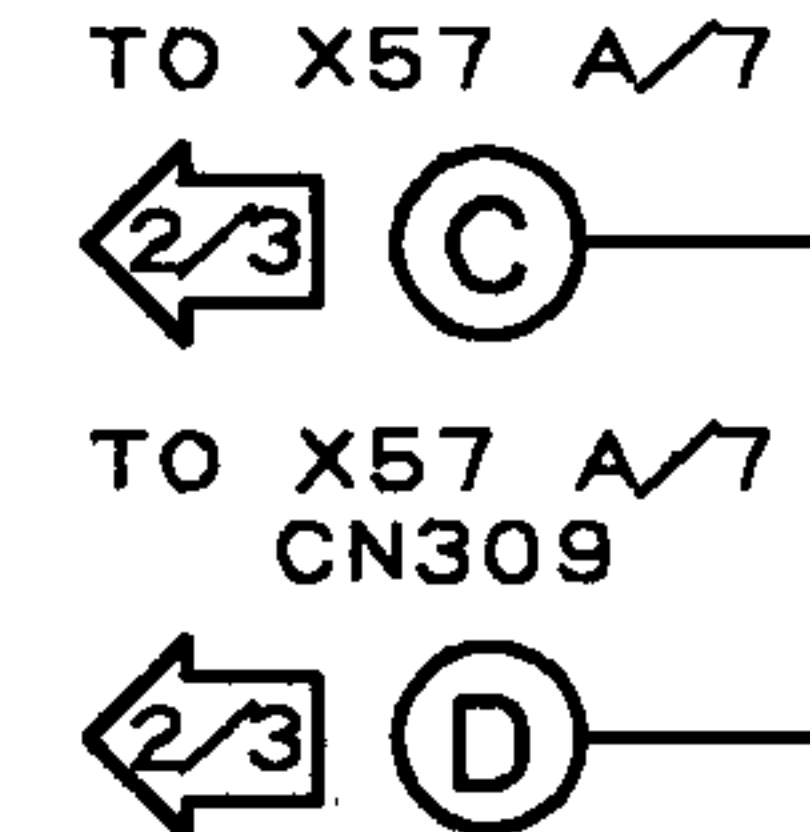




Downloaded by  
Amateur Radio Directory



IC301	: TC7660ME0A	Q319	: μPA573T	D301	: MA728
IC302	: AT24C16N10S12.5	Q320, 323, 337	: μPA572T	D316	: MA8039
IC308	: TA75W558FU	Q321, 322, 325, 326	: 2SJ243	D318	: MA8062
IC317	: LM301AD	Q327	: DTC144EE	D324	: DAN222
		Q328, 336	: 2SK879(Y)		
		Q335	: 2SJ204		



Note: Circuits are subject to change without notice due to advancements in technology.