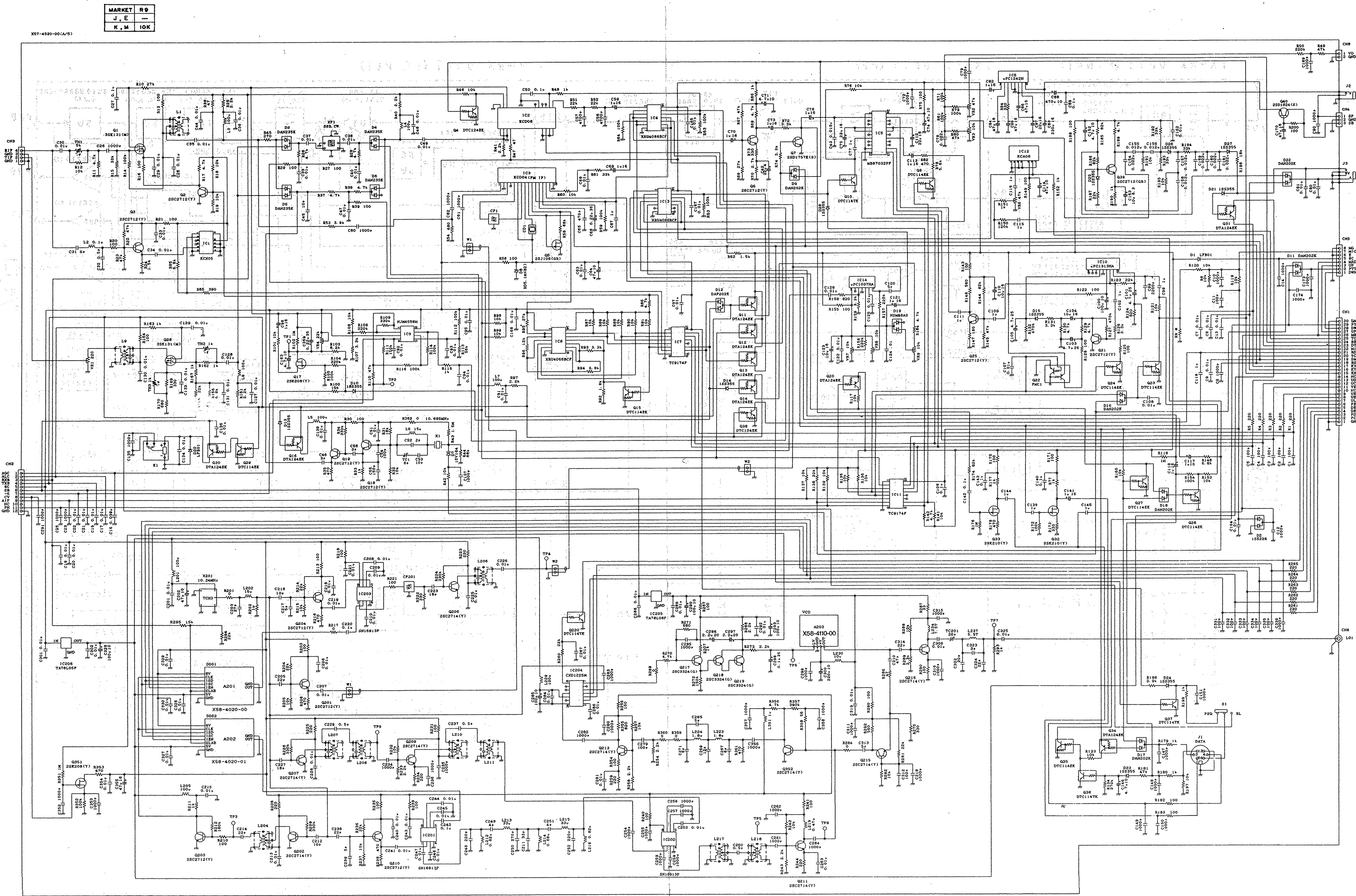
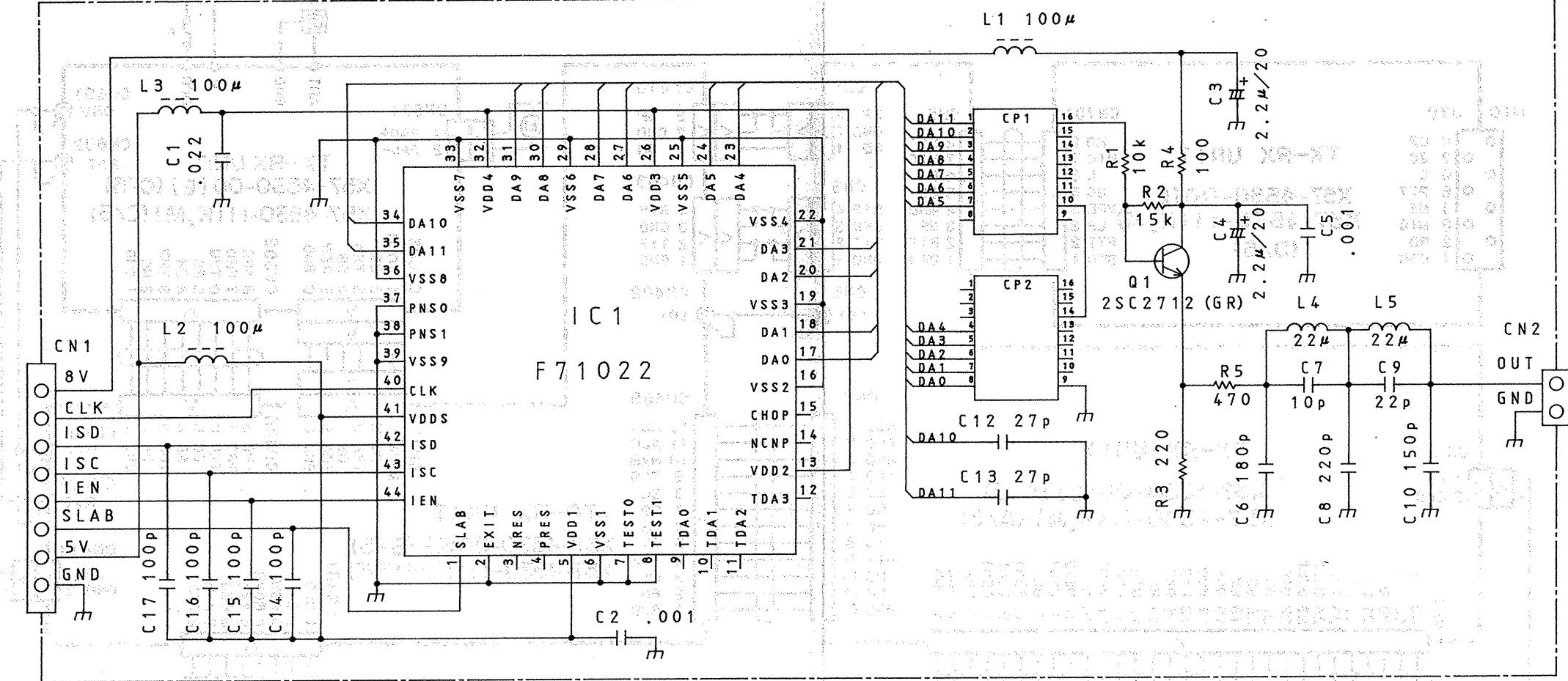


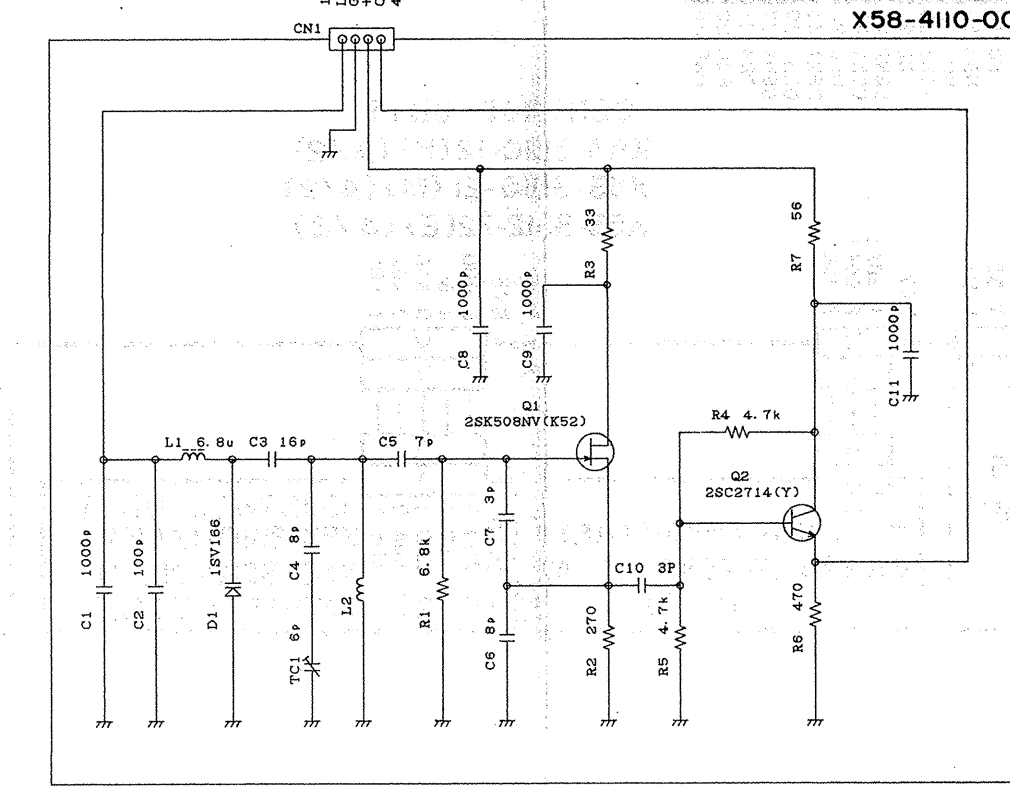
**SCHEMATIC DIAGRAM (2/3)**



X58-4020-00  
X58-4020-01



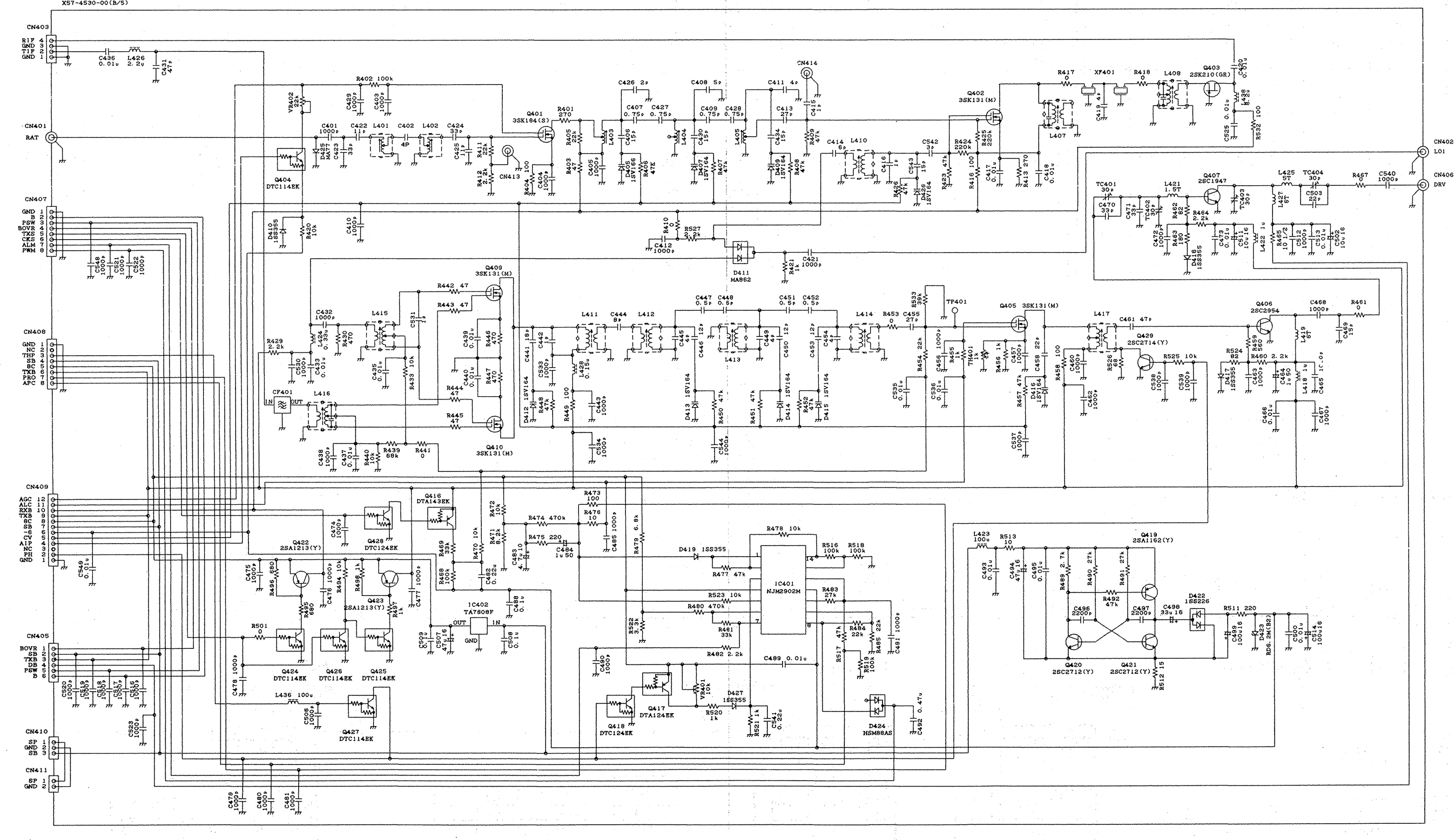
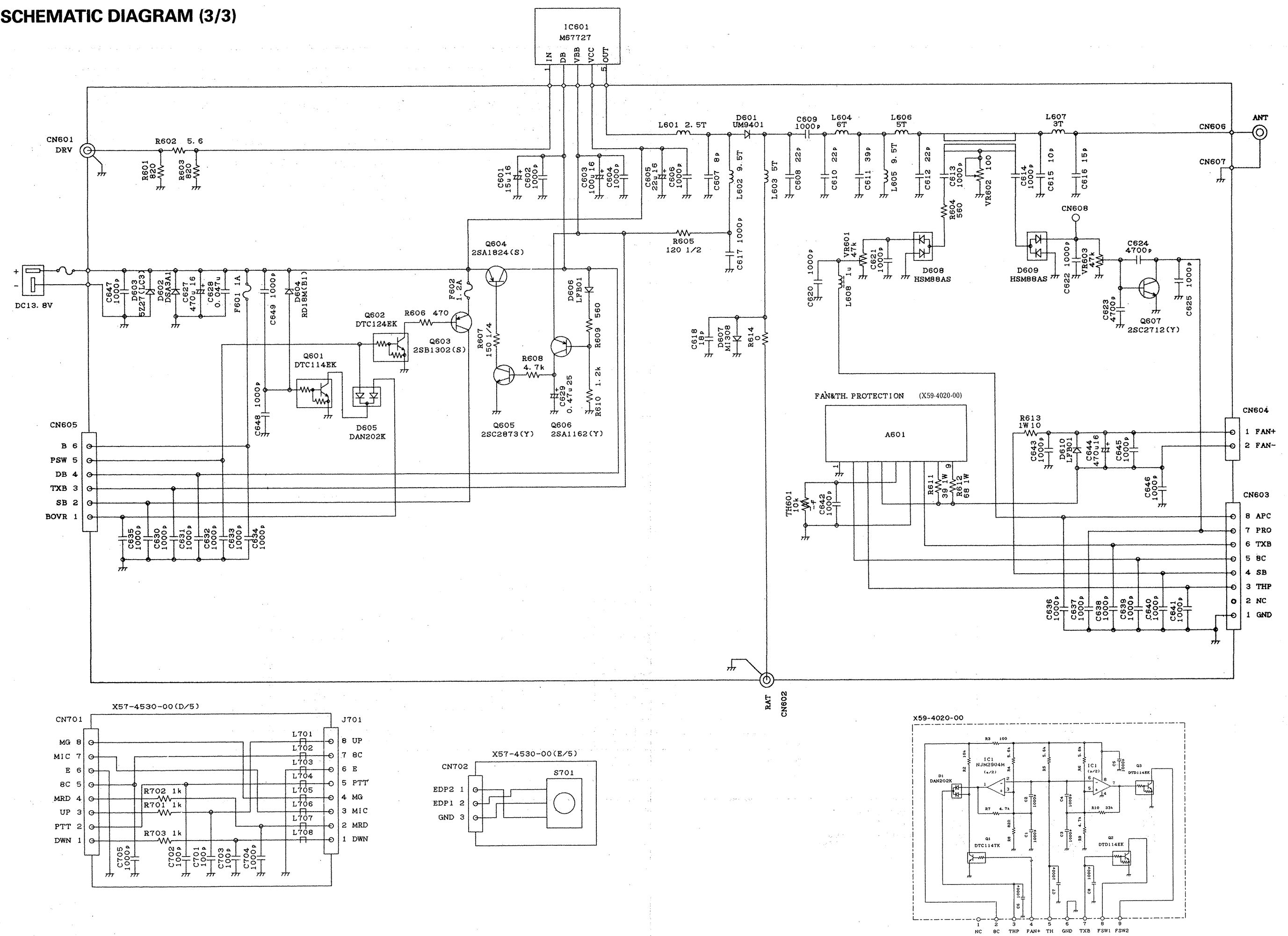
Downloaded by  
RadioAmateur.EU



TM-255A / E (2/3)

Note:  
Circuits are subject to change without notice due to advancements in technology.

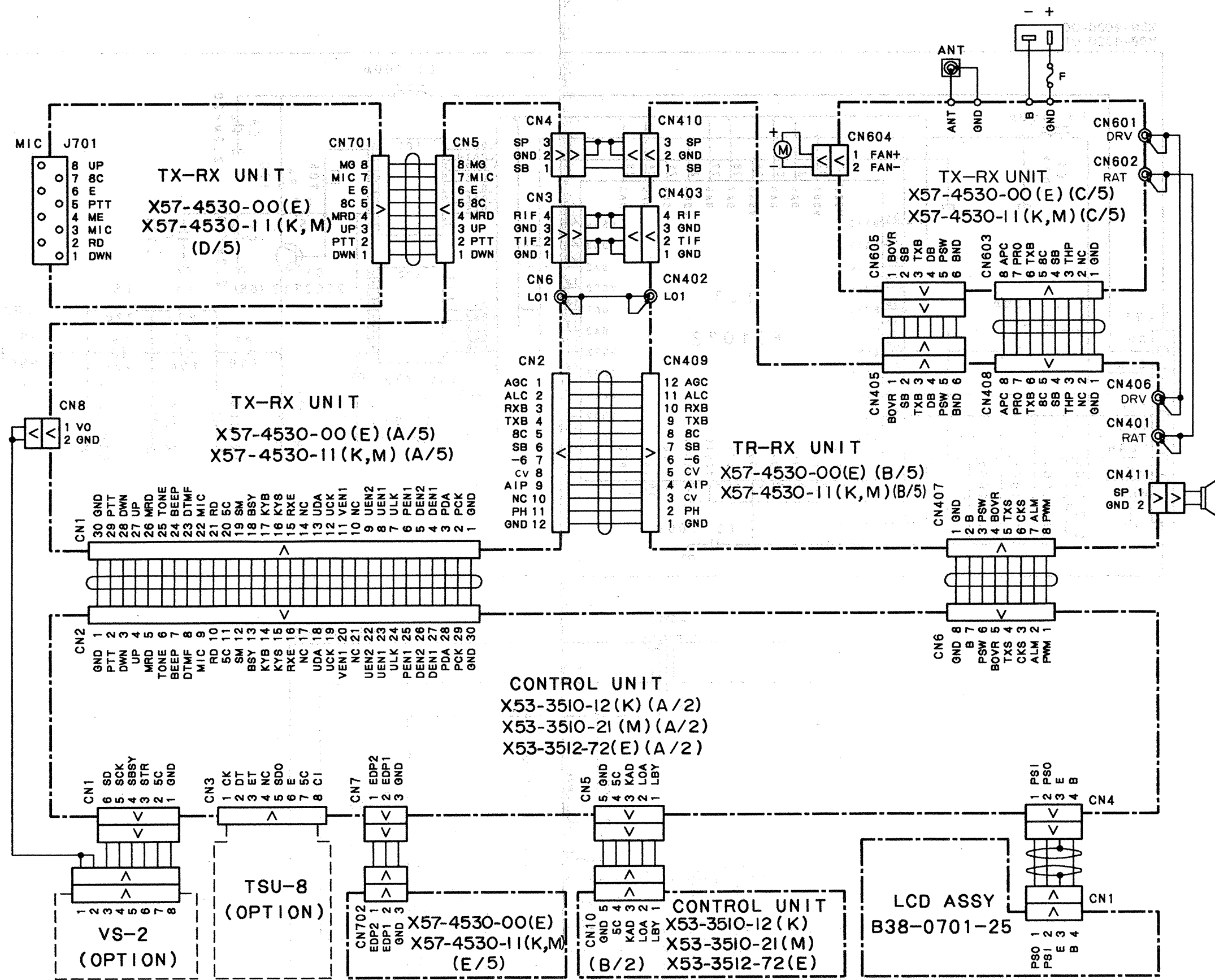
**SCHEMATIC DIAGRAM (3/3)**



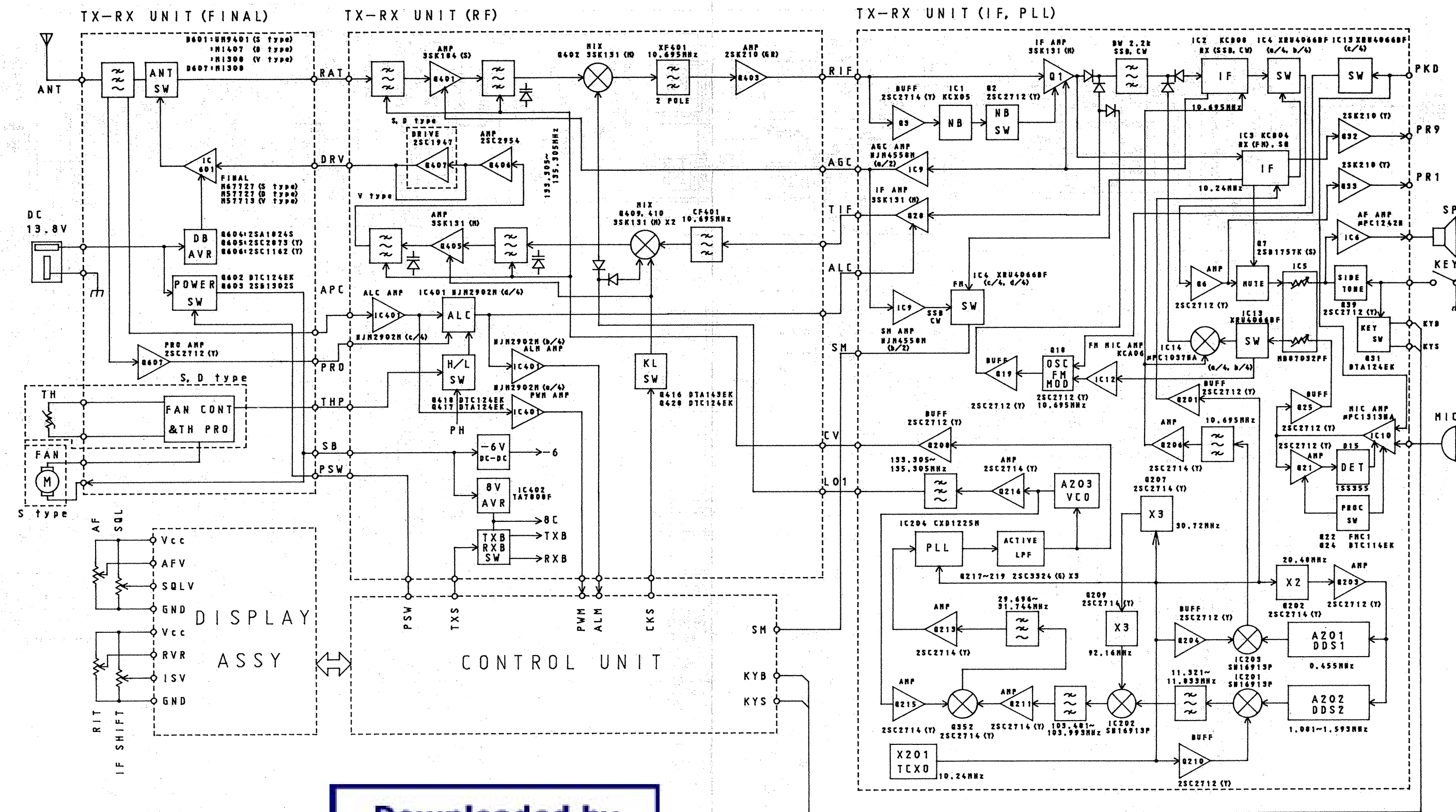
TM-255 A/E (3/3)

Note:  
Circuits are subject to change without notice due to advancements in technology.

**BLOCK DIAGRAM**



TM-255A/E

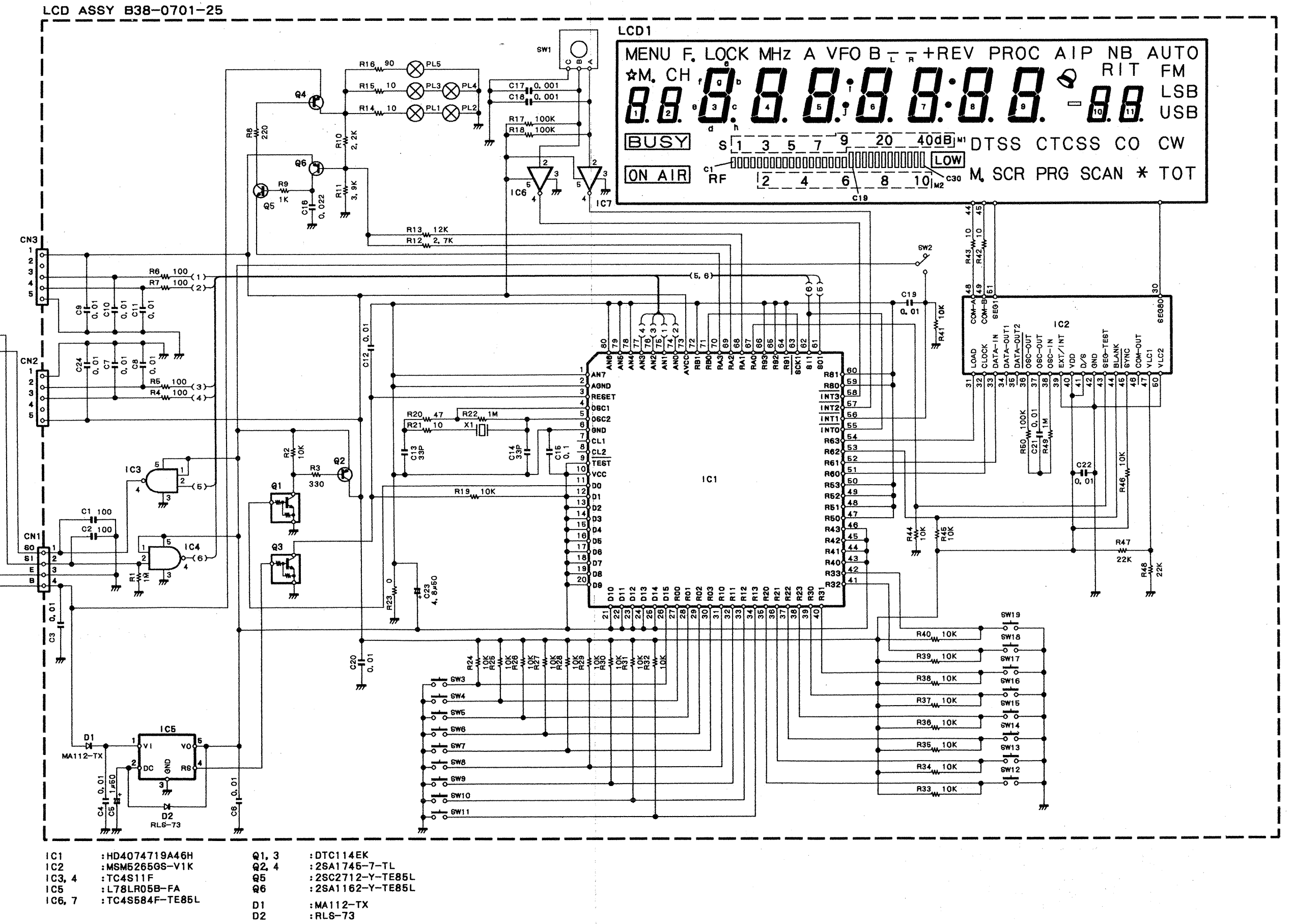
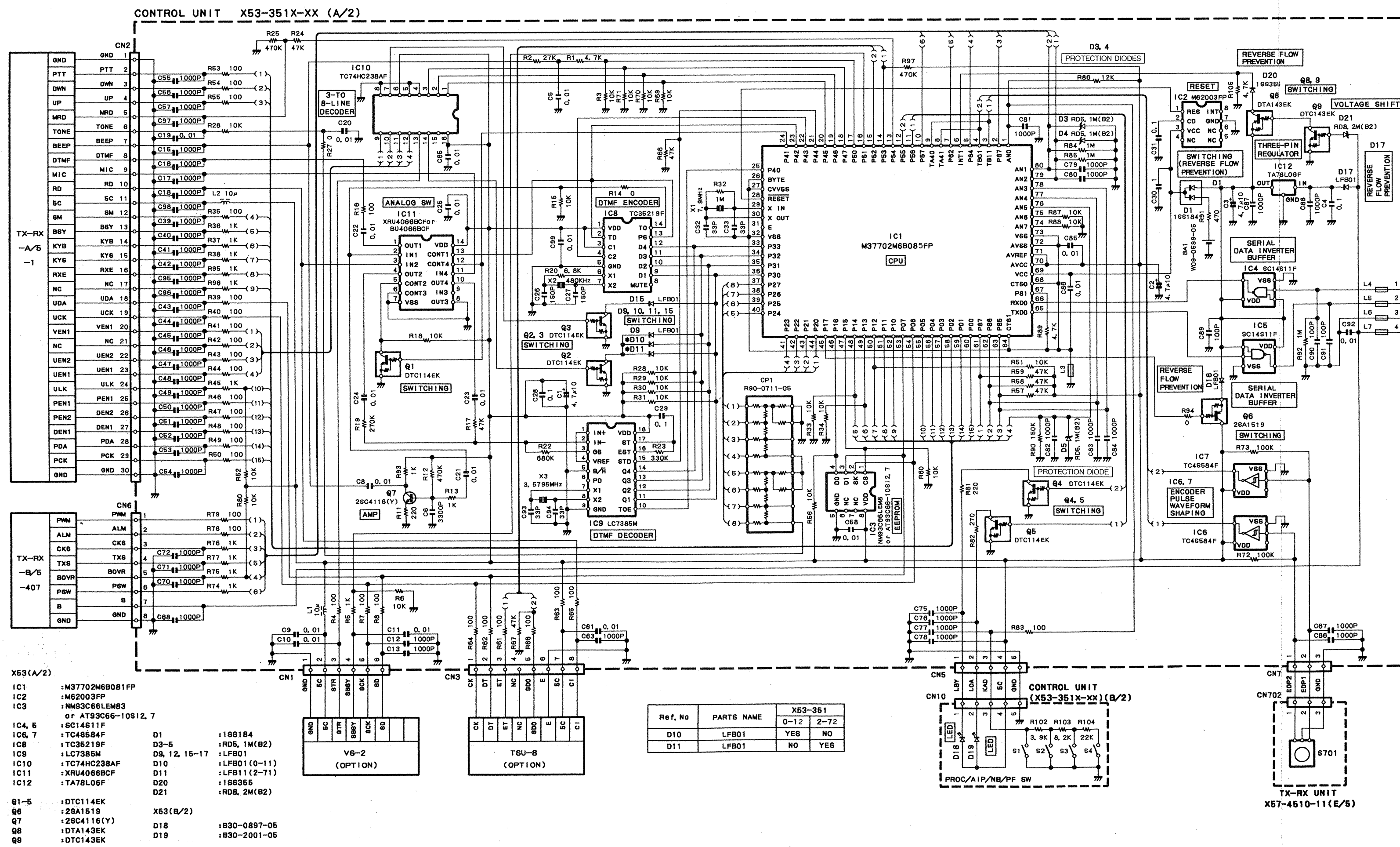


Downloaded by  
RadioAmateur.EU

TM-255A/E

Note:  
Circuits are subject to change without notice due to advancements in technology.

**SCHEMATIC DIAGRAM (1/3)**



IC1	M37702M0801FP		
IC2	M82003FP		
IC3	M92006LEMS		
	OF AT5306-1001.7		
IC4, 6	18C14811F	D1	188184
IC6, 7	17C4884F	D3-6	1808, 1M(82)
IC8	17C38219F		
IC9	17C738M	D8, 12, 15-17	18F801
IC10	17C744238AF	D10	18F801 (0-11)
IC11	17XR40586CF	D11	18F811 (2-71)
IC12	17A78106F	D20	188386
		D21	1808, 2M(82)
Q1-5	1DTC114EK		
Q6	128A1819		830-0897-05
Q7	128A1161Y		
Q8	1DTA143EK		1830-2001-05
Q9	1DTC143EK		

Ref. No	PARTS NAME	X53-351
D10	18F801	NO YES
D11	18F801	NO YES

TM-255A/E (1/3)

Note:  
Circuits are subject to change without notice due to advancements in technology.