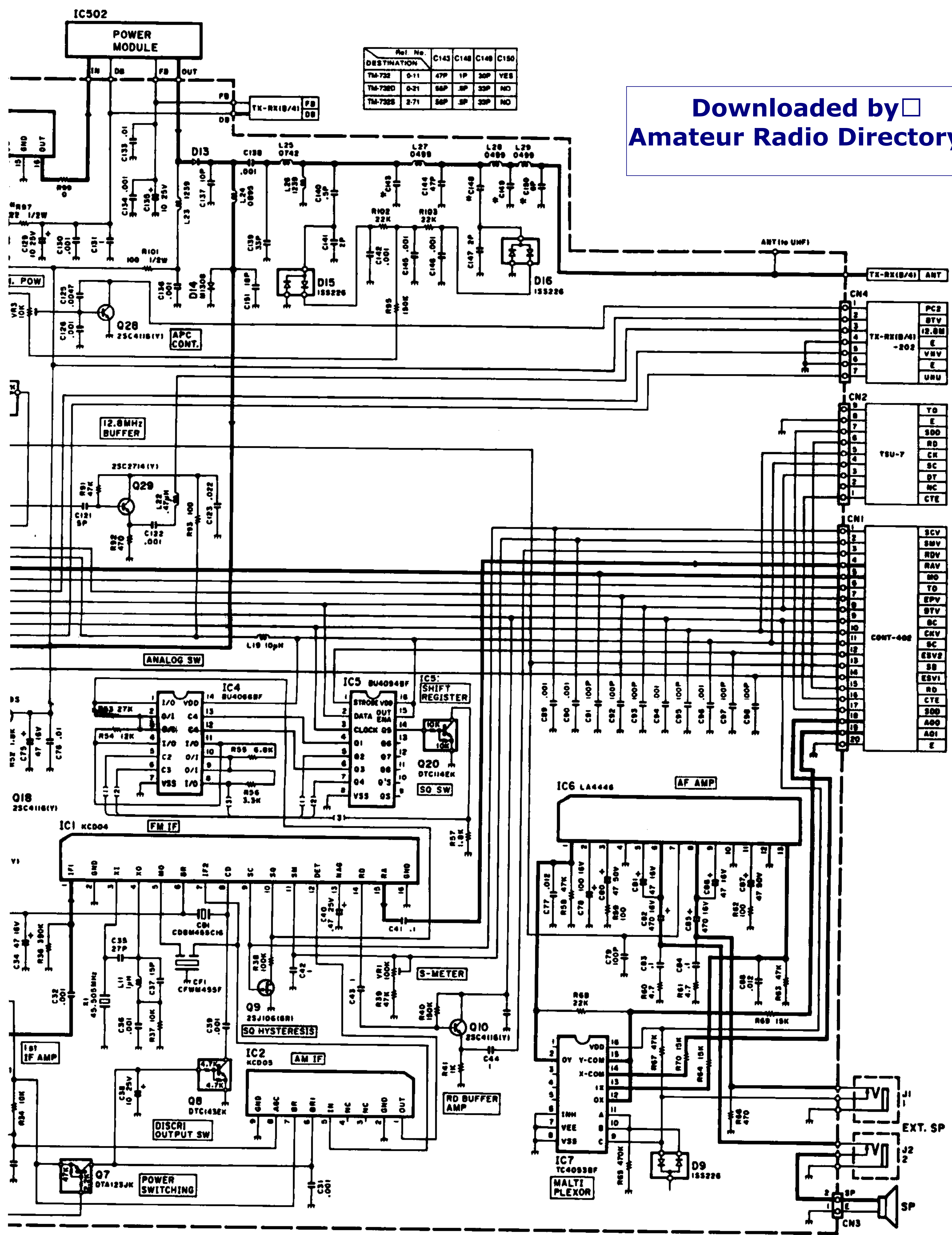
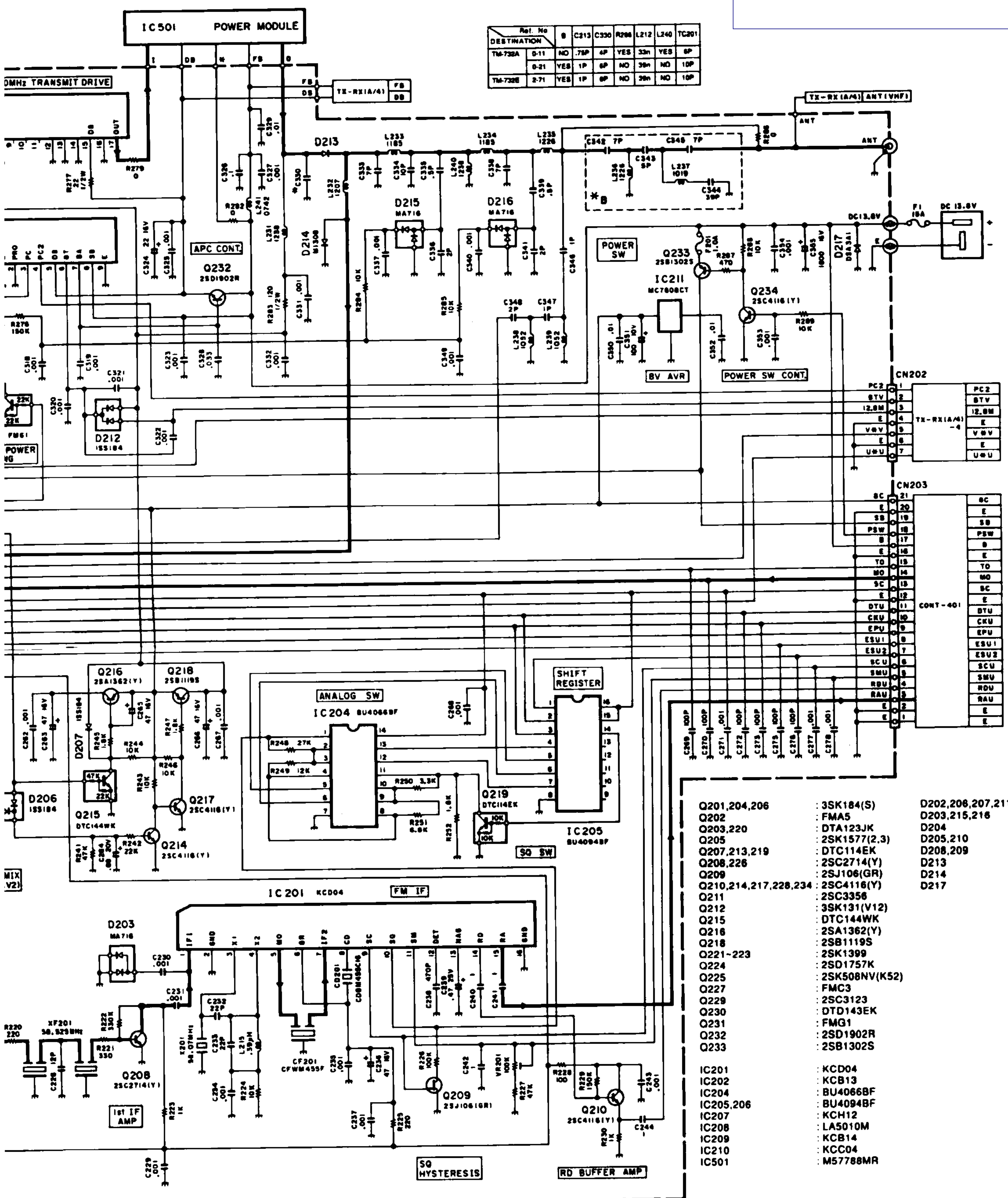


Downloaded by Amateur Radio Directory

Ref No.	C143	C148	C149	C150
TM-732	0-11	47P	1P	30P
TM-732D	0-21	50P	5P	30P
TM-732S	2-71	50P	5P	30P



- Q1,13 : 3SK104(S)
 - Q2,27 : FMG1
 - Q3,4 : 3SK130(V12)
 - Q5,14,20 : DTC143EK
 - Q6,25,29 : 2SC2714(Y)
 - Q7,11,12 : DTA123JK
 - Q8 : DTC143EK
 - Q9 : 2SJ104(GR)
 - Q10,18,19,26,28 : 2SC4116(Y)
 - Q15 : DTC144WK
 - Q16 : 2SA1302(Y)
 - Q17 : 2SB1119S
 - Q21 : 2SD1767K
 - Q22 : 2SK1309
 - Q23 : UPA502T
 - Q24 : 2SK679(Y)
-
- IC1 : KCD04
 - IC2 : KCD05
 - IC3 : JPC1676G
 - IC4 : BU4068BF
 - IC5,8 : BU4094BF
 - IC6 : LA4446
 - IC7 : TC4093BF
 - IC9 : KCH11
 - IC10 : KCB11
 - IC11 : LA5010M
-
- D1,3,5 : 1SV164
 - D2,4 : 1SV166
 - D6,10 : DAN235K
 - D8,11 : 1SS184
 - D9,15,16 : 1SS226
 - D12 : 1SS181
 - D13 : *
 - D14 : M1308



Ref. No	B	C213	C330	R208	L212	L240	TC201
TM-732A	0-11	NO	75P	4P	YES	33n	YES
	0-21	YES	1P	6P	NO	30n	NO
TM-732B	2-71	YES	1P	6P	NO	30n	NO

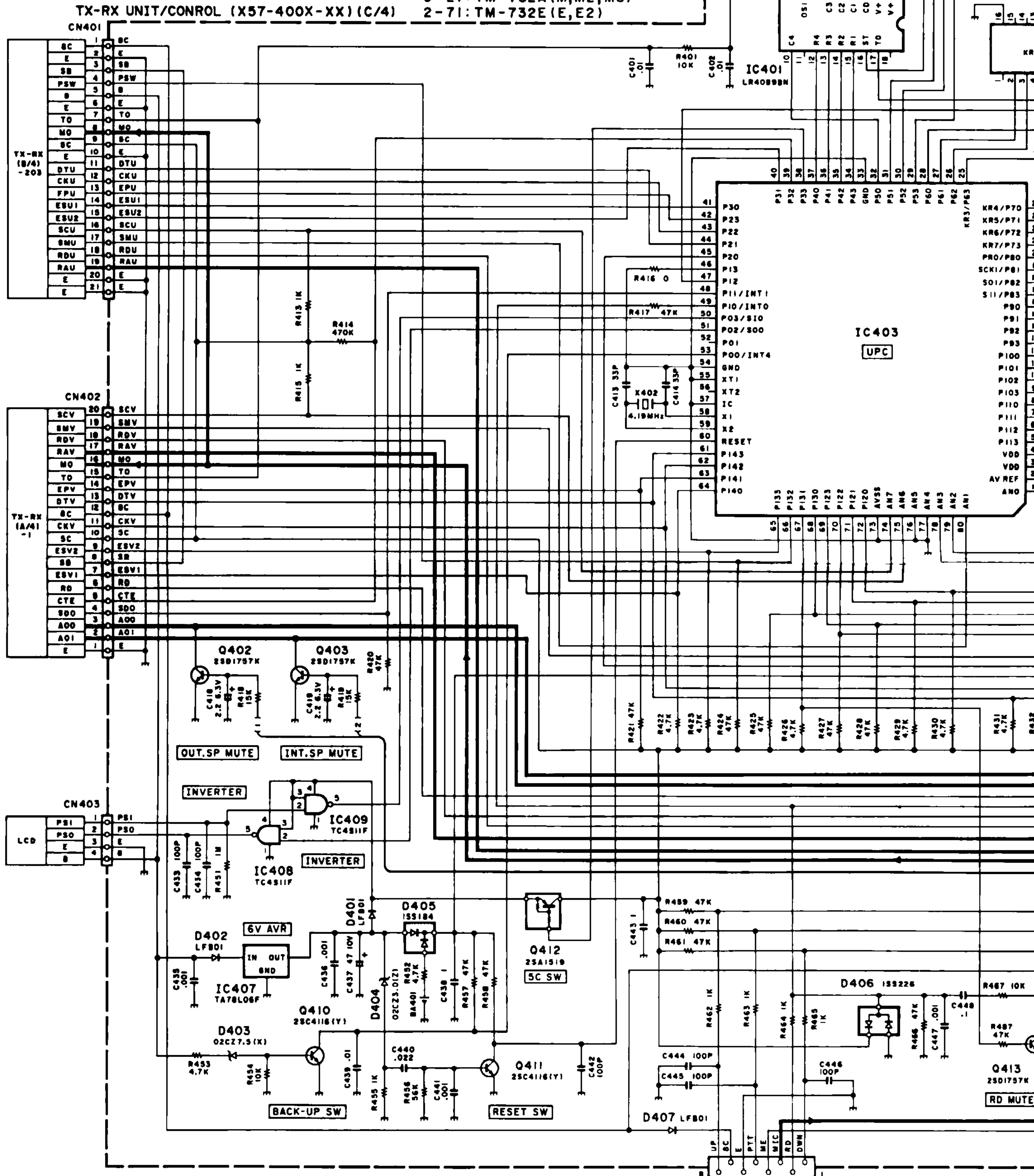
- | | | | |
|----------------------|-----------------|----------------------|----------|
| Q201,204,206 | : 3SK184(S) | D202,206,207,211,212 | : 1S5184 |
| Q202 | : FMA5 | D203,215,216 | : MA716 |
| Q203,220 | : DTA123JK | D204 | : MA77 |
| Q205 | : 2SK1577(2,3) | D205,210 | : MA862 |
| Q207,213,219 | : DTC114EK | D208,209 | : 1T33C |
| Q208,226 | : 2SC2714(Y) | D213 | : M1407 |
| Q209 | : 2SJ106(GR) | D214 | : M1308 |
| Q210,214,217,228,234 | : 2SC4116(Y) | D217 | : DSA3A1 |
| Q211 | : 2SC3356 | | |
| Q212 | : 3SK131(V12) | | |
| Q215 | : DTC144WK | | |
| Q216 | : 2SA1362(Y) | | |
| Q218 | : 2SB1119S | | |
| Q221-223 | : 2SK1399 | | |
| Q224 | : 2SD1757K | | |
| Q225 | : 2SK508NV(K52) | | |
| Q227 | : FMC3 | | |
| Q229 | : 2SC3123 | | |
| Q230 | : DTD143EK | | |
| Q231 | : FMG1 | | |
| Q232 | : 2SD1902R | | |
| Q233 | : 2SB1302S | | |
| IC201 | : KCD04 | | |
| IC202 | : KCB13 | | |
| IC204 | : BU4066BF | | |
| IC205,206 | : BU4094BF | | |
| IC207 | : KCH12 | | |
| IC208 | : LA5010M | | |
| IC209 | : KCB14 | | |
| IC210 | : KCC04 | | |
| IC501 | : M57788MR | | |

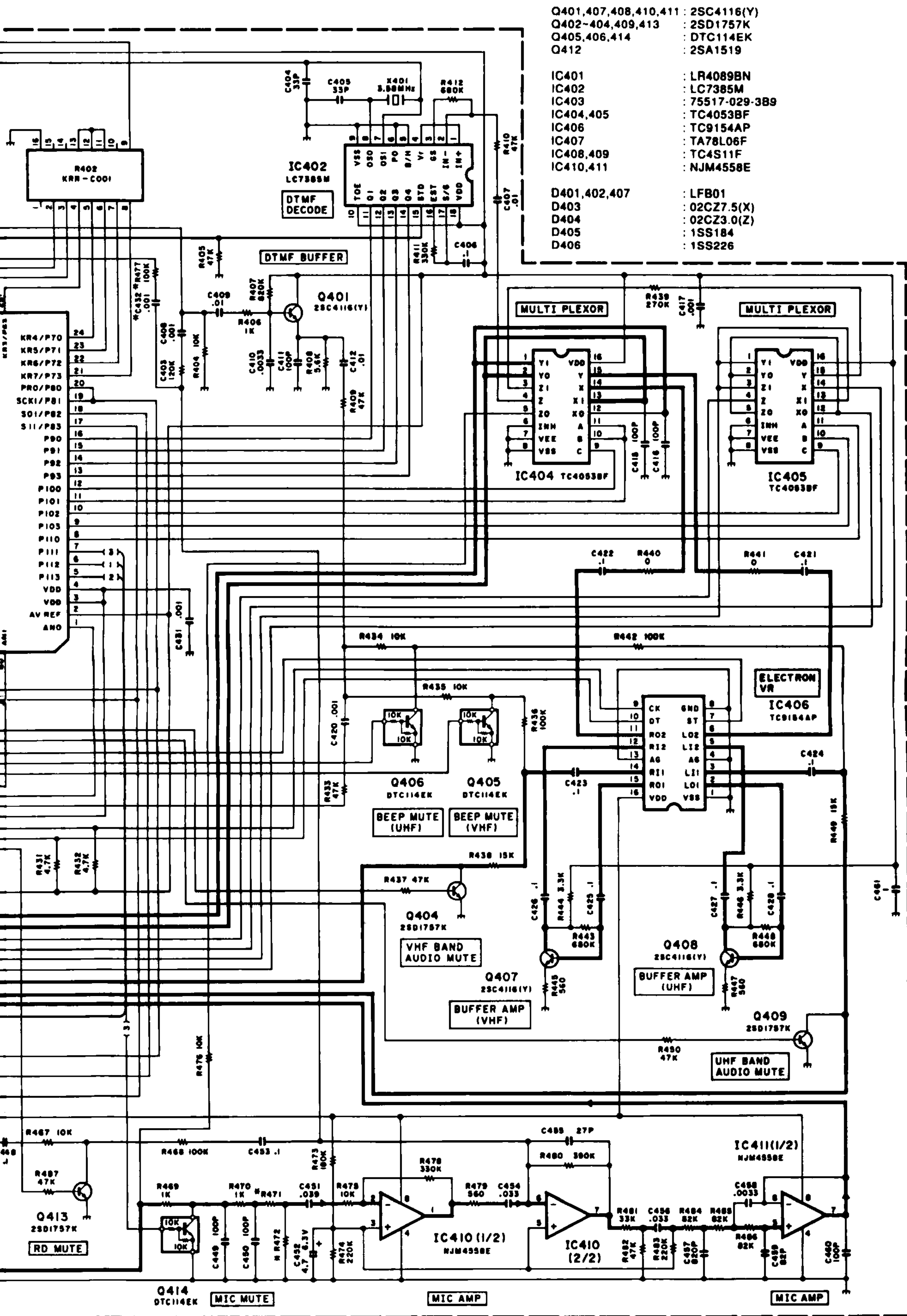
TM-732A/E

Note: Circuit is subject to change without notice due to advancements in technology.

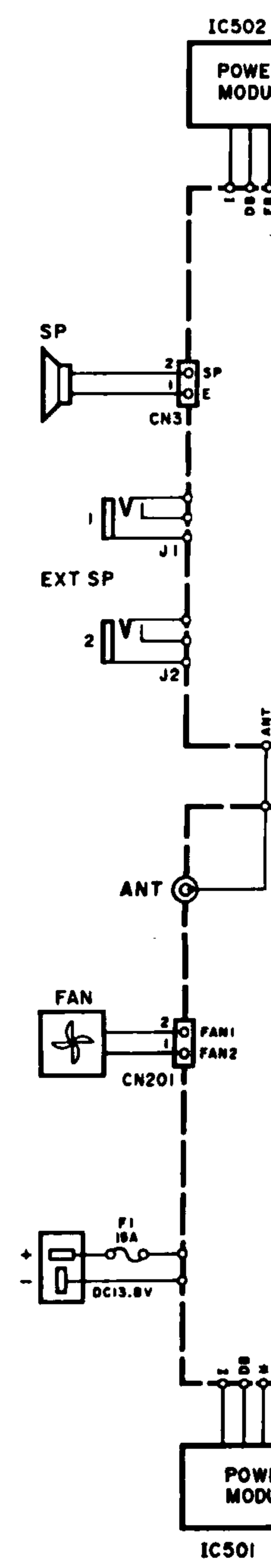
Ref No	C432	R471	R472	R477
DESTINATION				
TM-732A	0-11	NO	3.9K	1.8K
	0-21	NO	3.9K	1.8K
TM-732E	2-71	YES	2.2K	3.3K

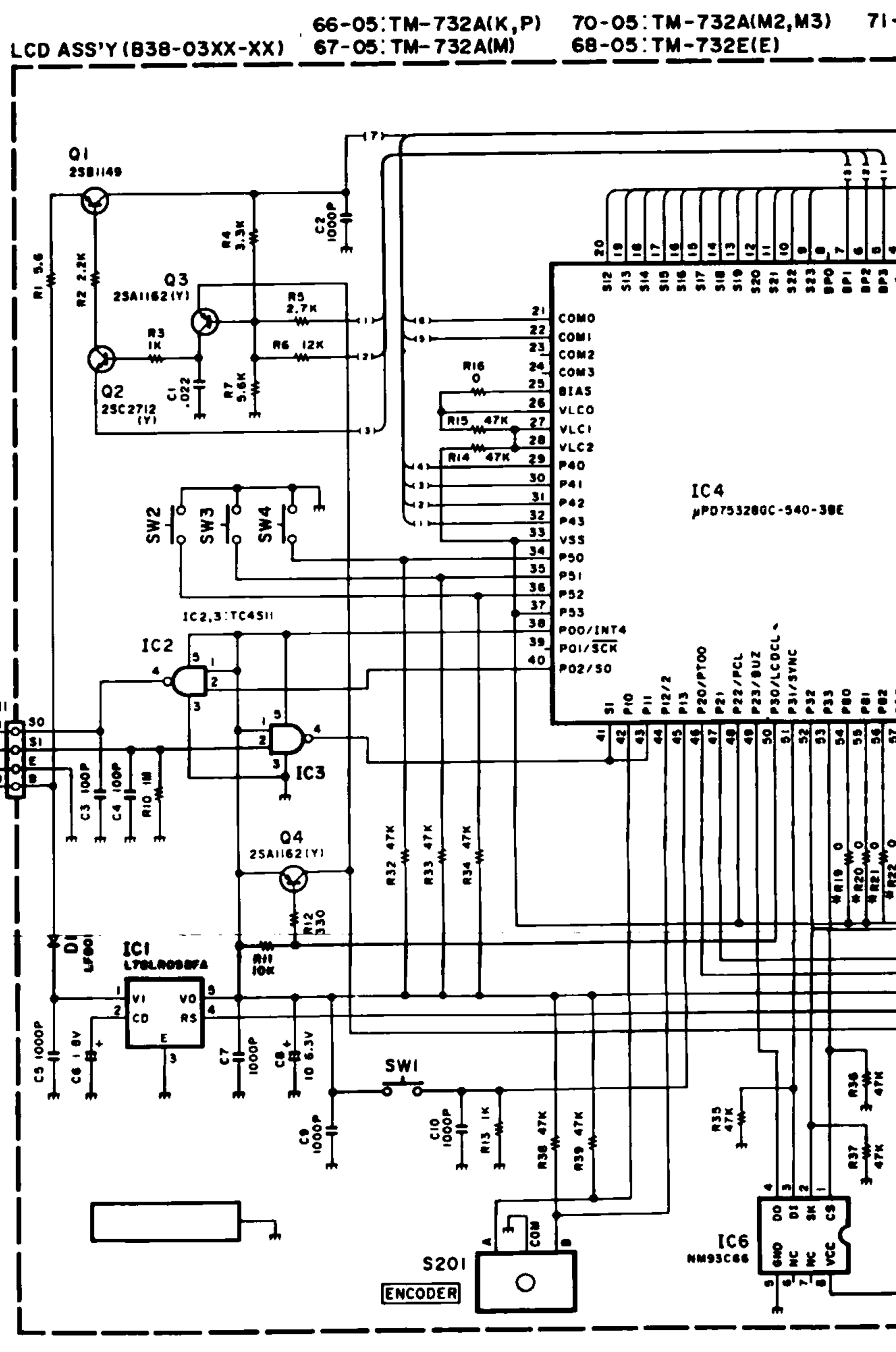
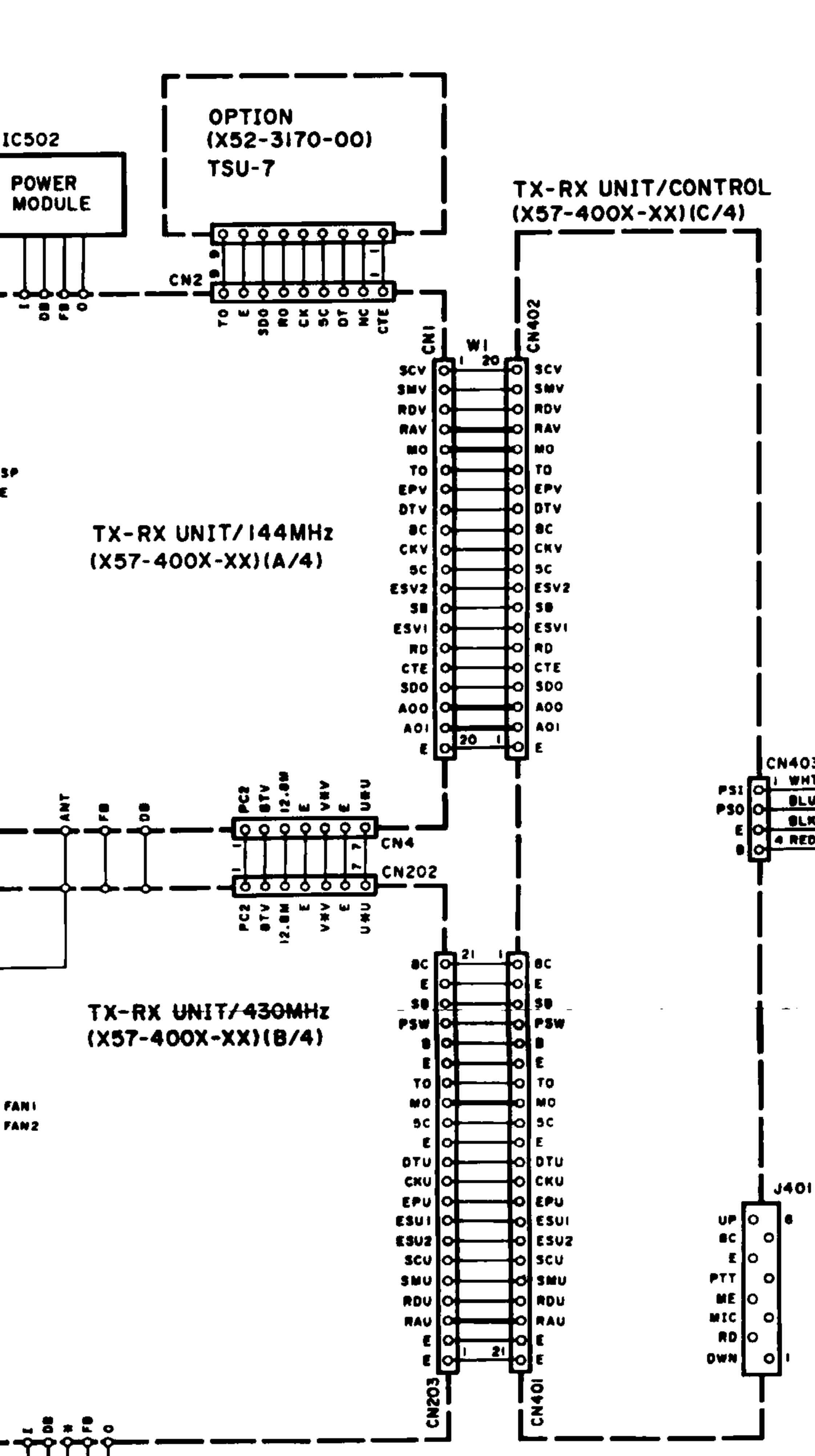
0-11: TM-732A (K,P)
 0-21: TM-732A (M,M2,M3)
 2-71: TM-732E (E,E2)





- Q401,407,408,410,411 : 2SC4116(Y)
 Q402-404,409,413 : 2SD1757K
 Q405,406,414 : DTC114EK
 Q412 : 2SA1519
- IC401 : LR4089BN
 IC402 : LC7385M
 IC403 : 75517-029-3B9
 IC404,405 : TC4053BF
 IC406 : TC9154AP
 IC407 : TA78L06F
 IC408,409 : TC4S11F
 IC410,411 : NJM4558E
- D401,402,407 : LFB01
 D403 : 02CZ7.5(X)
 D404 : 02CZ3.0(Z)
 D405 : 1SS184
 D406 : 1SS226

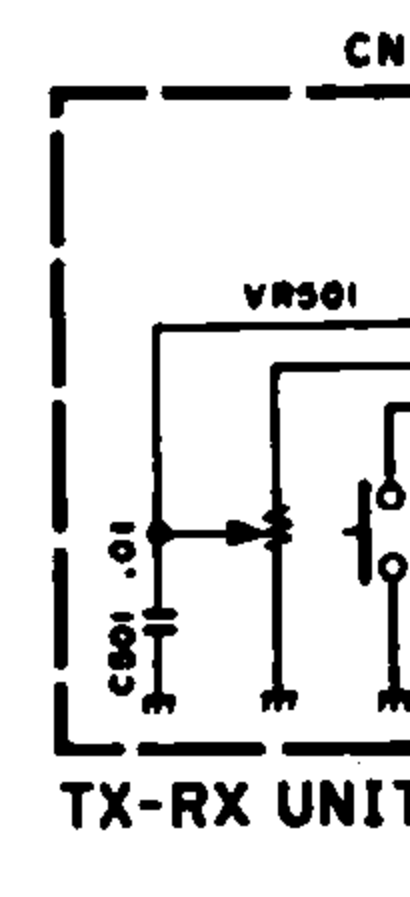


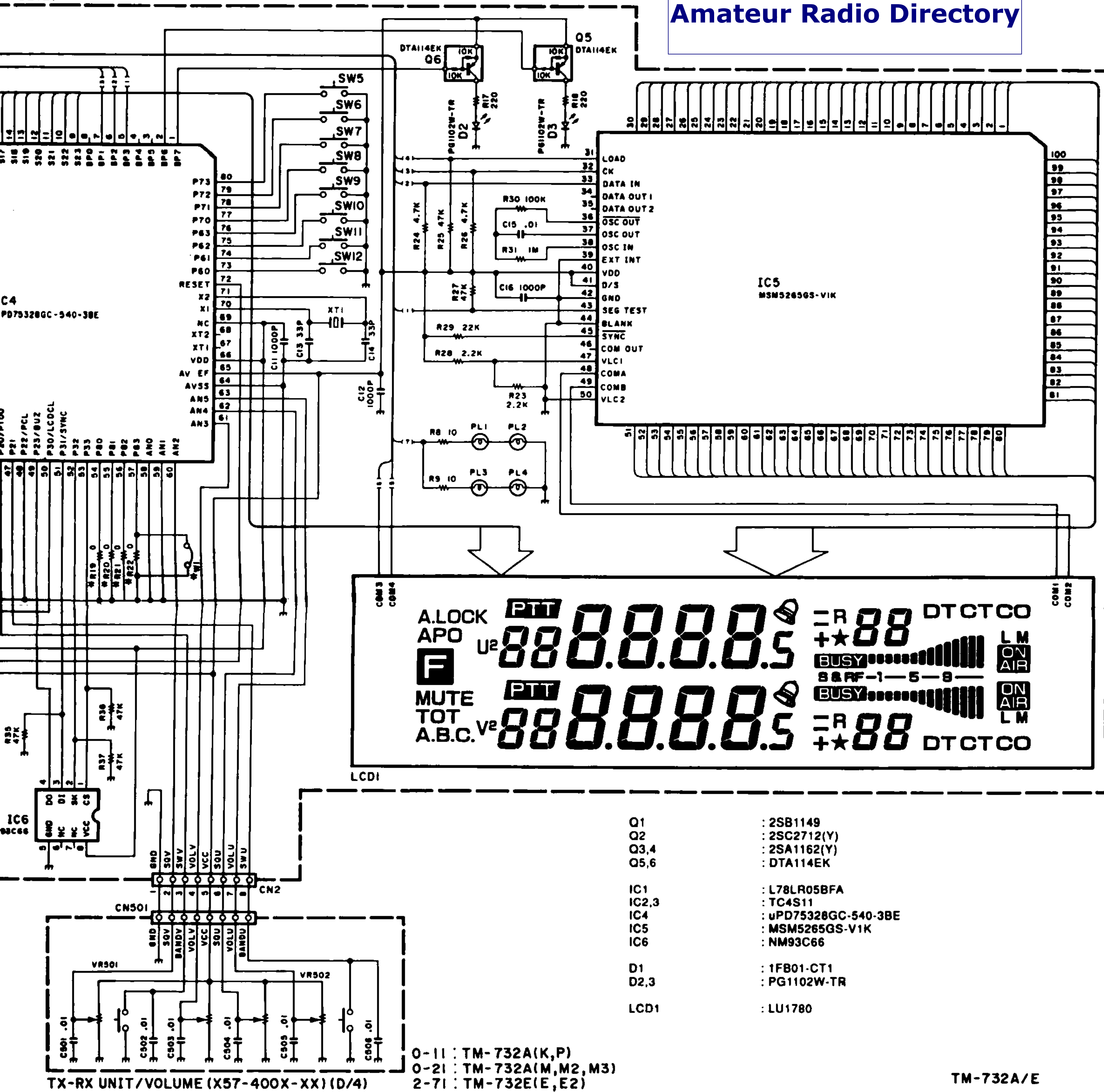


66-05: TM-732A(K,P) 70-05: TM-732A(M2,M3) 71-05: TM-732A(M)
 67-05: TM-732A(M) 68-05: TM-732E(E)

Ref. No	R19	R20	R21	R22	W1
DESTINATION					
TM-732A	66-05	NO	YES	NO	NO
	67-05	YES	YES	YES	YES
	70-05	YES	YES	NO	YES
TM-732E	66-05	YES	NO	YES	YES
	71-05	NO	NO	YES	NO

Downloaded by 
 Amateur Radio Directory





- | | |
|-------|----------------------|
| Q1 | : 2SB1149 |
| Q2 | : 2SC2712(Y) |
| Q3,4 | : 2SA1162(Y) |
| Q5,6 | : DTA114EK |
| IC1 | : L78LR05BFA |
| IC2,3 | : TC4S11 |
| IC4 | : μPD75328GC-540-3BE |
| IC5 | : MSM5265GS-V1K |
| IC6 | : NM93C66 |
| D1 | : 1FB01-CT1 |
| D2,3 | : PG1102W-TR |
| LCD1 | : LU1780 |

0-11 : TM-732A(K,P)
0-21 : TM-732A(M,M2,M3)
2-71 : TM-732E(E,E2)

TM-732A/E