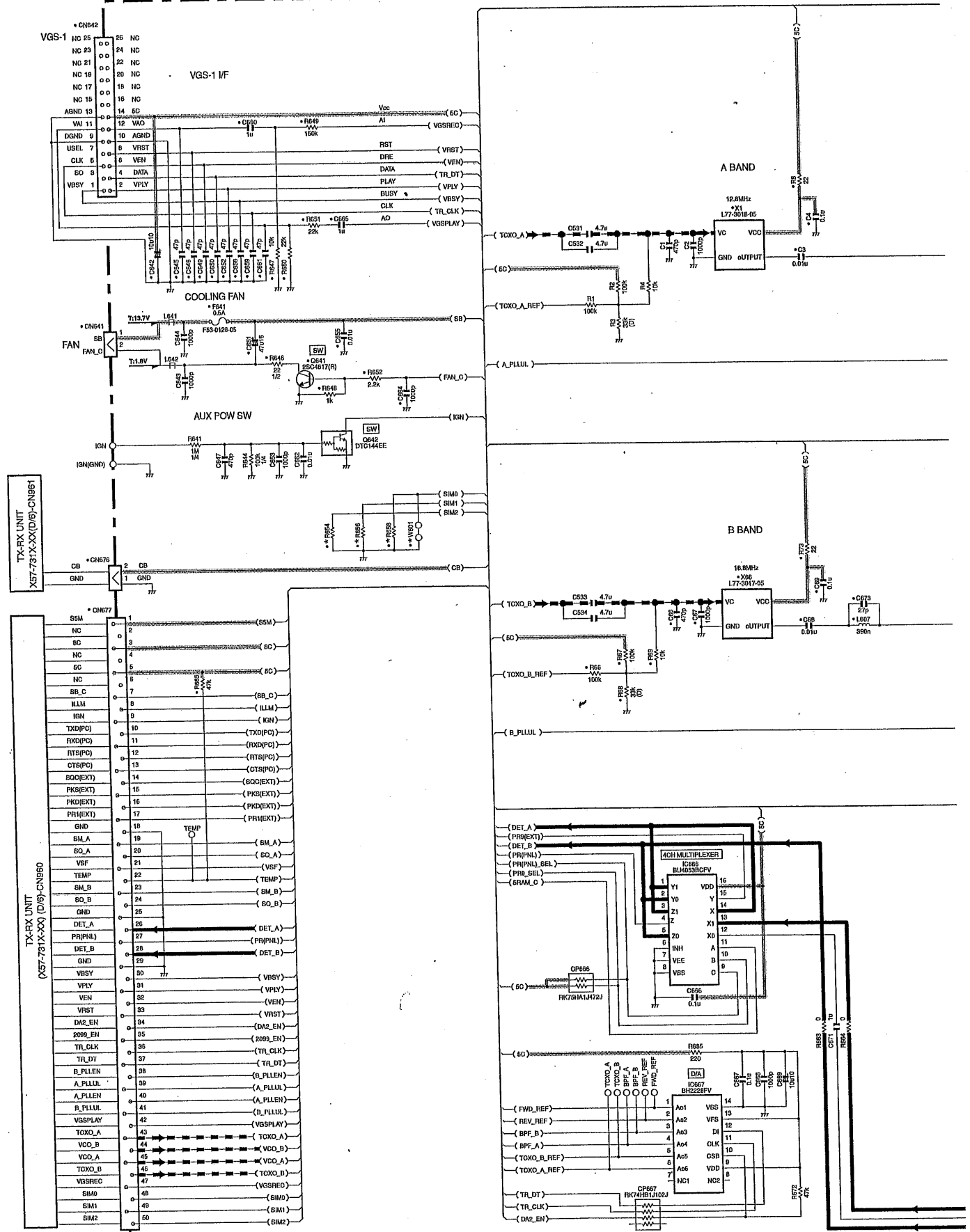


TM-V71A/V71E SCHEMATIC DIAGRAM

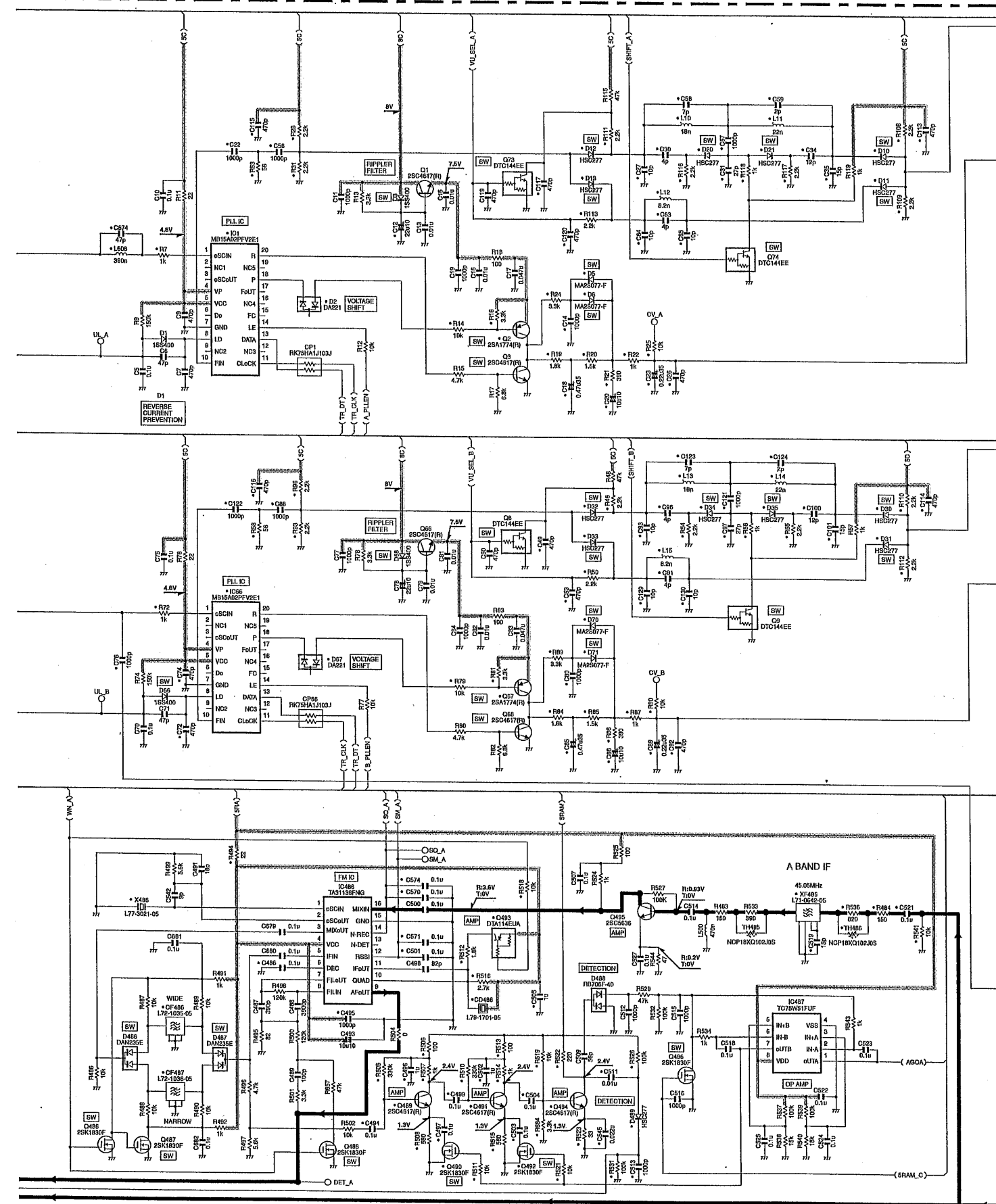
TX-RX UNIT (X57-731X-XX) (A/6): TX-RX SECTION



X57-731X-XX	R654	R656	R658	WB01
0-11	K	0	0	NO
2-71	E	NO	NO	0
0-21	M4	NO	0	NO

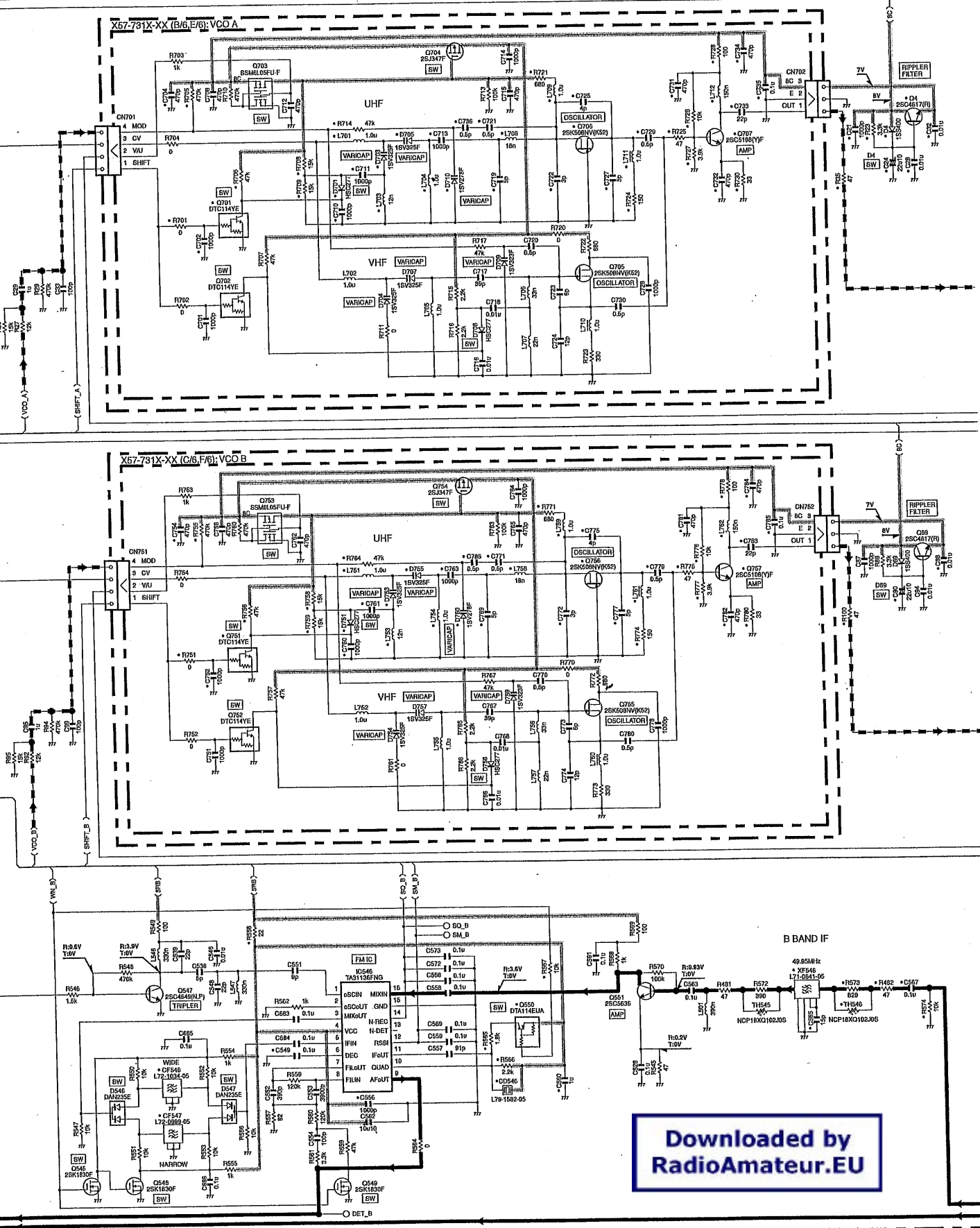
SCHEMATIC DIAGRAM TM-V71A/V71E

TX-RX UNIT (X57-731X-XX) (A/6): TX-RX SECTION



TM-V71A/V71E SCHEMATIC DIAGRAM

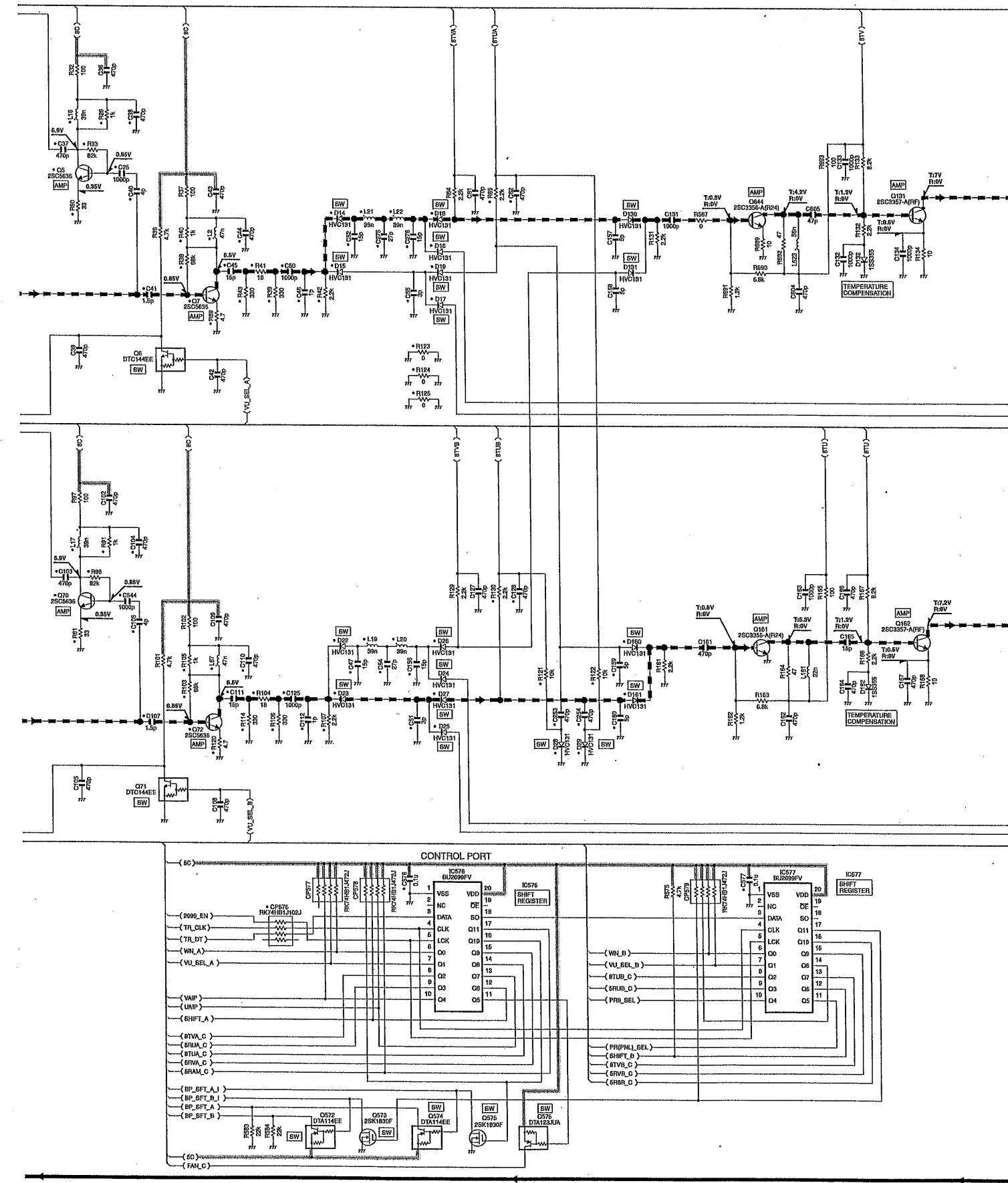
TX-RX UNIT (X57-731X-XX) (A/6): TX-RX SECTION



Downloaded by
RadioAmateur.EU

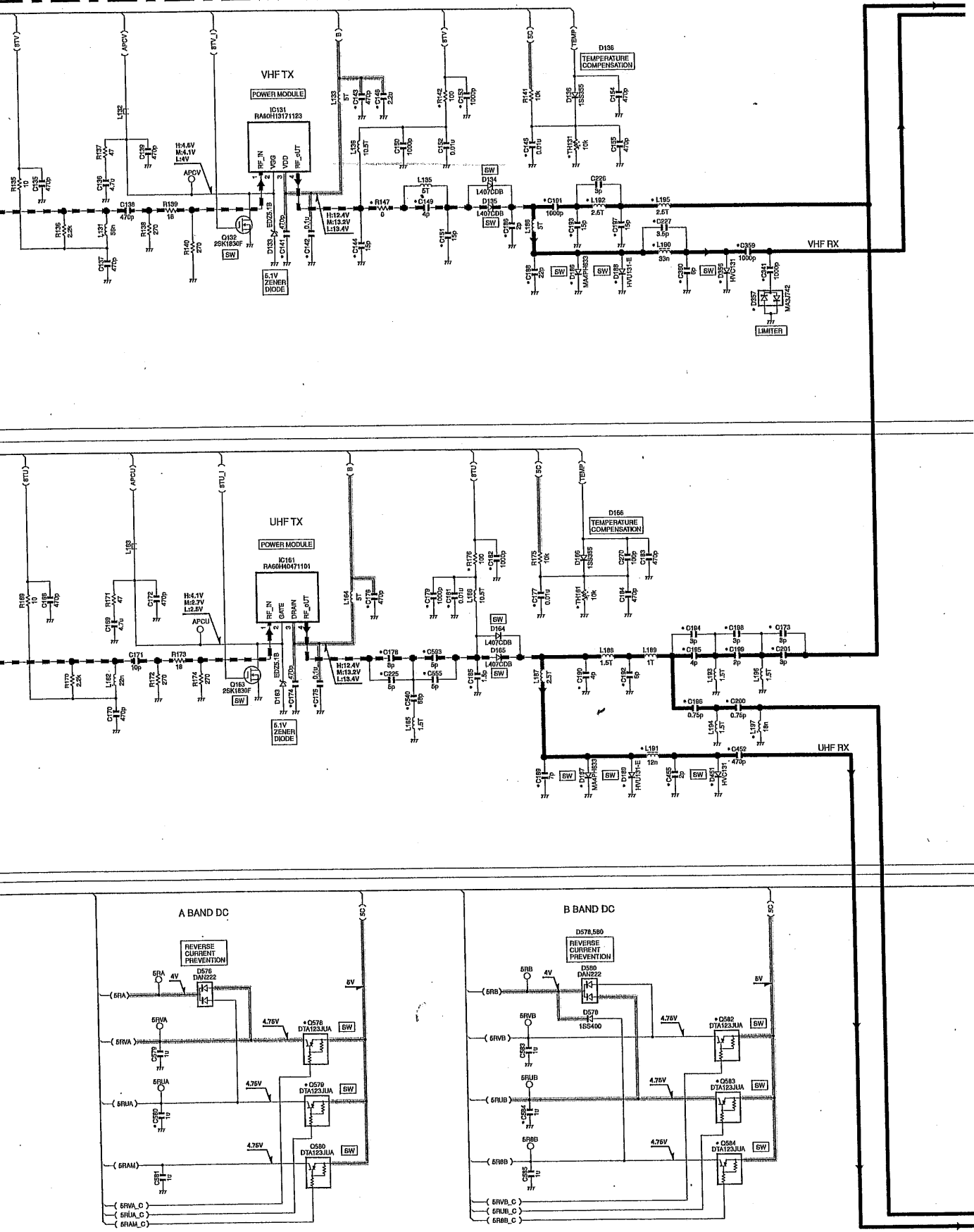
SCHEMATIC DIAGRAM TM-V71A/V71E

TX-RX UNIT (X57-731X-XX) (A/6): TX-RX SECTION



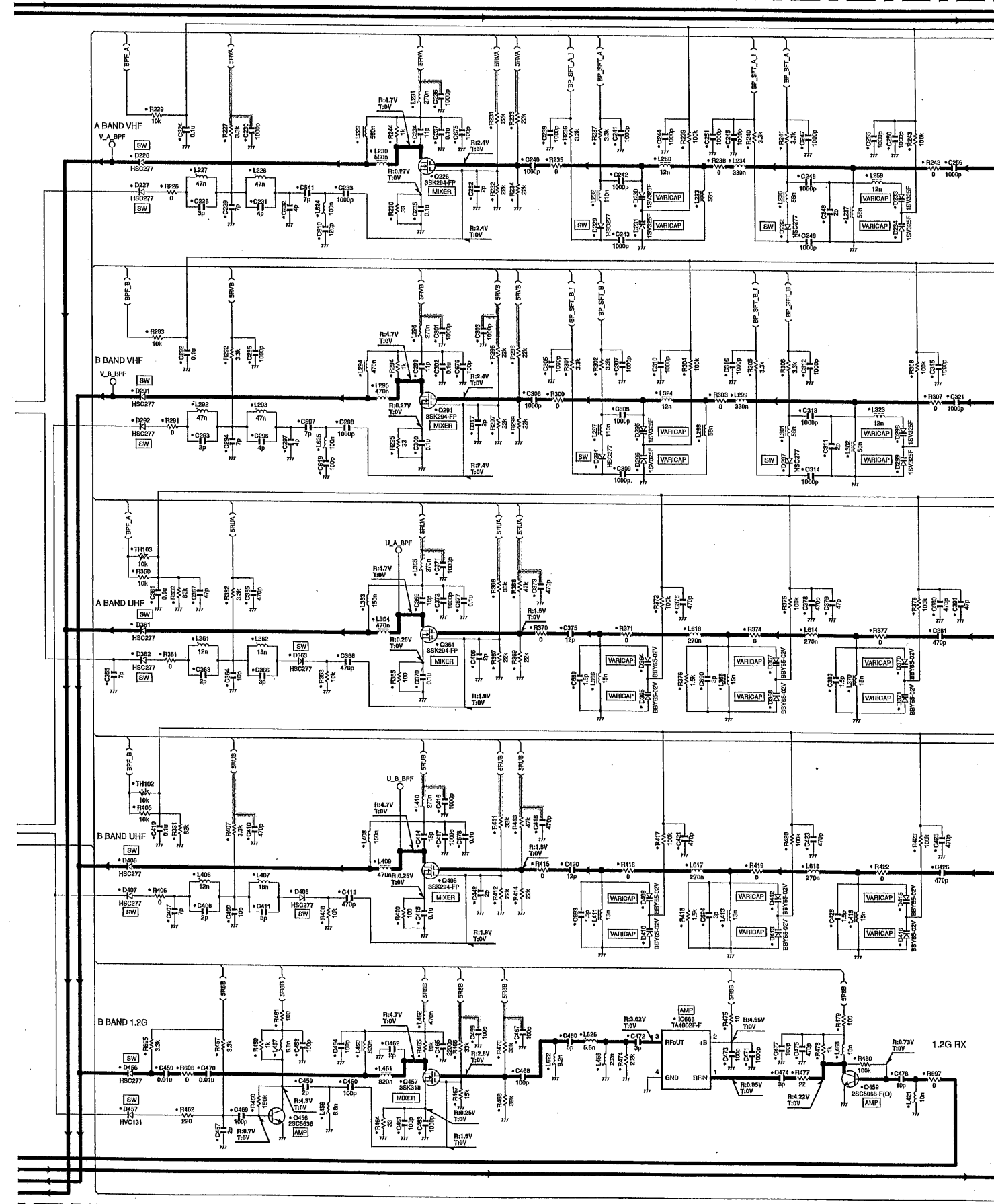
TM-V71A/V71E SCHEMATIC DIAGRAM

TX-RX UNIT (X67-731X-XX) (A/B): TX-RX SECTION



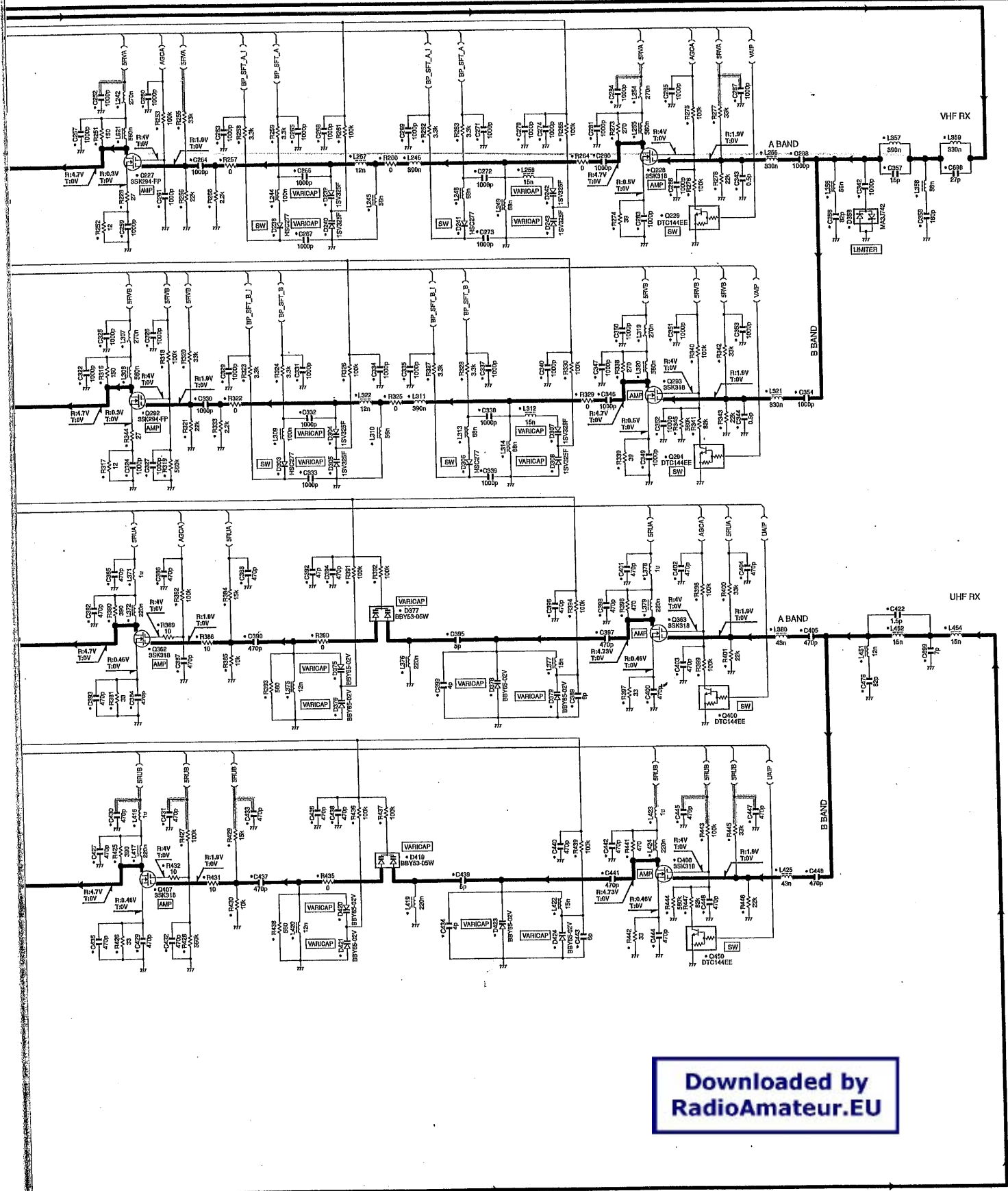
SCHEMATIC DIAGRAM TM-V71A/V71E

TX-RX UNIT (X67-731X-XX) (A/B): TX-RX SECTION



TM-V71A/V71E SCHEMATIC DIAGRAM

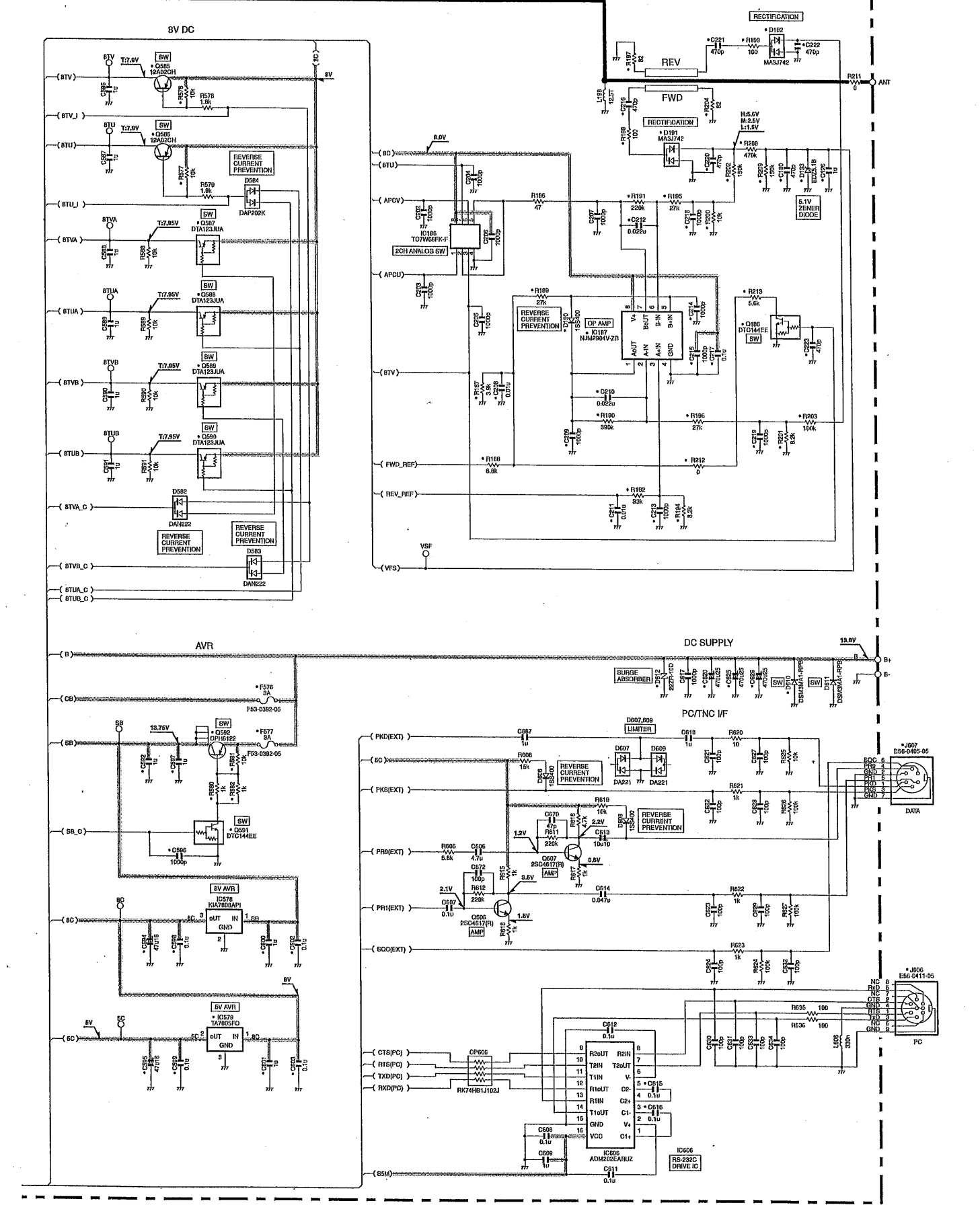
TX-RX UNIT (X67-731X-XX) (A/B): TX-RX SECTION



Downloaded by
RadioAmateur.EU

SCHEMATIC DIAGRAM TM-V71A/V71E

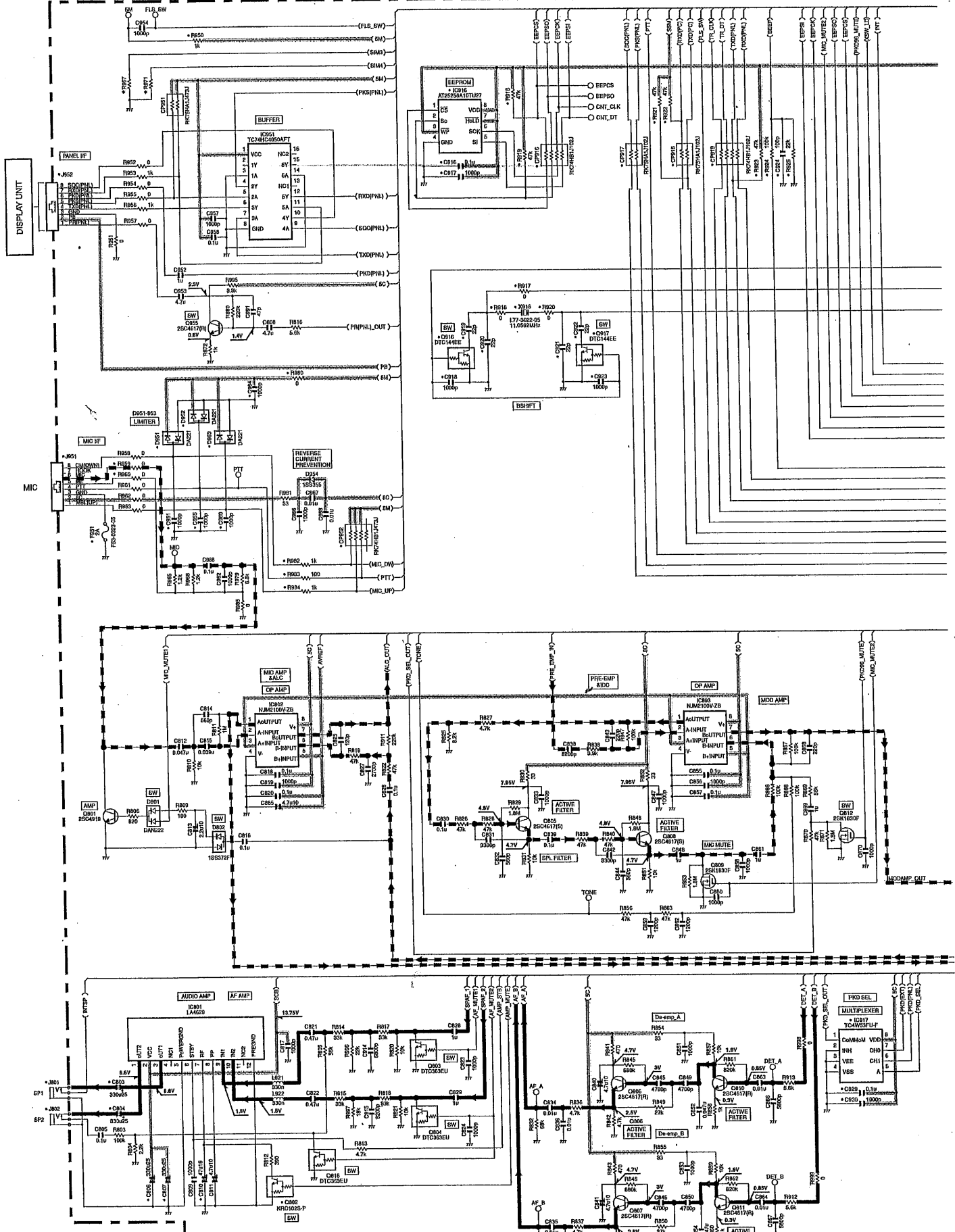
TX-RX UNIT (X67-731X-XX) (A/B): TX-RX SECTION



Note : The components marked with a dot (•) are parts of layer 1.

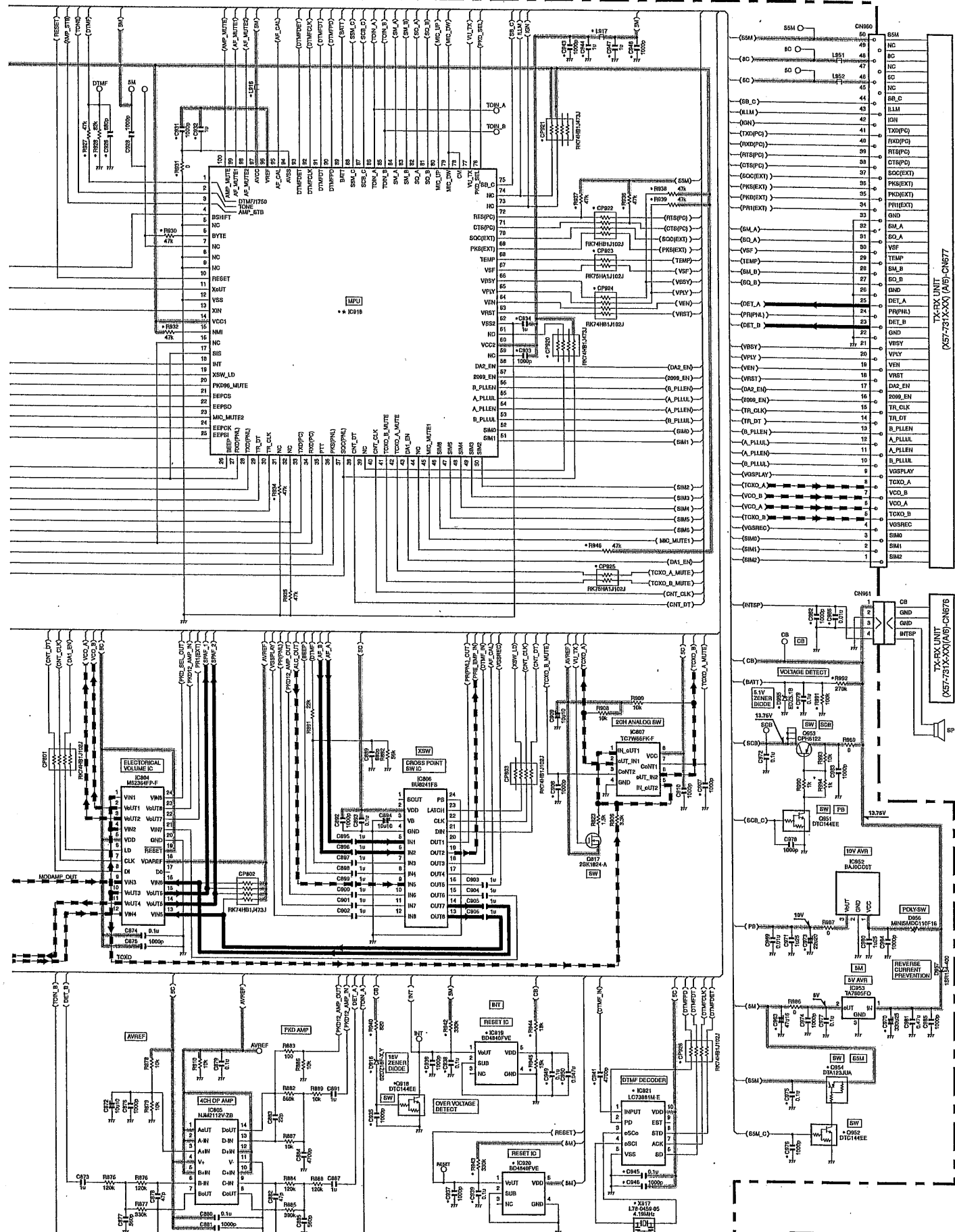
TM-V71A/V71E SCHEMATIC DIAGRAM

TX-RX UNIT (X67-731X-XX) (D/B): CONTROL SECTION



SCHEMATIC DIAGRAM TM-V71A/V71E

TX-RX UNIT (X67-731X-XX) (D/B): CONTROL SECTION



Downloaded by RadioAmateur.EU

Note: The components marked with a dot (•) are parts of layer 1.