



HF SSB TRANSCEIVER

Model TS-130SE



Downloaded by
RadioAmateur.EU

INSTRUCTION MANUAL

INTRODUCTION

You are the owner of our latest product, the new TS-130SE transceiver. Please read this instruction manual carefully before placing your transceiver in service. The unit has been carefully engineered and manufactured to rigid quality standards, and should give you satisfactory and dependable operation for many years.

AFTER UNPACKING:

- Shipping container:
Save the boxes and packing in the event your unit needs to be transported for remote operation, maintenance, or service.
- The following explicit definitions apply in this manual:
Note: If disregarded inconvenience only, no risk of equipment damage or personal injury.
Caution: Equipment damage may occur, but not personal injury.

CONTENTS

SPECIFICATIONS.....	3
SECTION 1. FEATURES.....	4
SECTION 2. PREPARATION FOR USE	
2.1 INTERCONNECTION.....	5
2.2 ACCESSORIES.....	6
2.3 INSTALLATION.....	6
SECTION 3. CONTROLS	
3.1 FRONT PANEL.....	6
3.2 REAR TOP PANEL.....	8
SECTION 4. OPERATION	
4.1 RECEPTION.....	9
4.2 TRANSMISSION.....	10
4.3 VOX OPERATION.....	12
4.4 SEMI-BREAK-IN OPERATION.....	12
4.5 OPERATION WITH A LINEAR AMPLIFIER.....	12
4.6 FIXED CHANNEL OPERATION.....	12
4.7 CW OPERATION.....	13
4.8 MOBILE OPERATION.....	14
4.9 FIXED STATION OPERATION.....	16
4.10 DIGITAL DISPLAY CALIBRATION.....	17
4.11 ANALOG DIAL CALIBRATION.....	17
SECTION 5. ADDITIONAL INFORMATION.....	17
SECTION 6. OPTIONAL ACCESSORIES.....	20
INTERNAL VIEWS.....	22
BLOCK DIAGRAM.....	23
SCHEMATIC DIAGRAM.....	24~30

TS-130SE SPECIFICATIONS

[GENERAL]

Frequency Range:	80 meter band	3.5 ~ 4.0 MHz
	40 meter band	7.0 ~ 7.3 MHz
	*30 meter band	10.1 ~ 10.15 MHz (10.0 MHz Receiving only)
	20 meter band	14.0 ~ 14.35 MHz
	*17 meter band	18.068 ~ 18.168 MHz
	15 meter band	21.0 ~ 21.45 MHz
	*12 meter band	24.89 ~ 24.99 MHz
	10 meter band	28.0 ~ 29.7 MHz
Mode:	SSB/CW	
Frequency Stability:	Within ± 1 kHz during the first hour after 1 minute of warmup Within 100 Hz during any 30-minute period after warmup	
Power Requirement:	12 ~ 16V DC (13.8V Nominal) RX: 0.7A 13.8V DC TX: 19A 13.8V DC	
Dimensions:	241 (9.6) W x 94 (3.8) H x 293 (11.7) D mm (inch)	
Weight:	5.6 kg (12.4 lbs)	

[TRANSMITTER]

Final Power Input:	80 — 15 meter band
	200W PEP for SSB operation
	160W DC for CW operation
	10 meter band
	160W PEP for SSB operation
	140W DC for CW operation

Audio Input Impedance:	500 Ω ~ 50 k Ω
RF Output Impedance:	50 Ω
Carrier Suppression:	Better than 40 dB
Sideband Suppression:	Better than 50 dB
Spurious Radiation:	Better than 40 dB
Harmonic Radiation:	Better than 40 dB

[RECEIVER]

Receiver Sensitivity:	0.25 μ V at 10 dB S + N/N
Image Ratio:	Better than 50 dB
IF Rejection:	Better than 70 dB
Receiver Selectivity:	
SSB/CW WIDE	2.4 kHz (- 6 dB), 4.2 kHz (- 60 dB)
SSB NARROW	1.8 kHz (- 6 dB), 3.3 kHz (- 60 dB) with optional YK-88SN filter
CW NARROW	500 Hz (- 6 dB), 1.5 kHz (- 60 dB) with optional YK-88C filter
	270 Hz (- 6 dB), 1.1 kHz (- 60 dB) with optional YK-88CN filter
Audio Output Impedance:	4 ~ 16 Ω
Audio Output:	1.5 W

NOTE: Circuit and ratings may change without notice due to developments in technology.

- Will transmit on the new 30, 17, and 12 meter bands. Diodes installed for preventing accidental transmission before government amateur authorization.

**Downloaded by
RadioAmateur.EU**

SECTION 1. FEATURES

1. SINGLE-CONVERSION SYSTEM USING PLL CIRCUITRY

The single-conversion system, with a unique Phase Locked Loop circuit, FET balanced mixers and MOS FET's, assures excellent spurious and intermod characteristics.

2. BUILT-IN DIGITAL DISPLAY

The digital display affords easy reading of operating frequency to an accuracy of 100 Hz on any band and any mode.

3. BUILT-IN IF SHIFT CIRCUIT (Passband Tuning)

An IF SHIFT system is built into the transceiver to allow shifting the IF passband, thereby eliminating adjacent channel interference.

4. 3.5 ~ 29.7 MHz BAND

The transceiver is designed to operate on LSB/USB/CW in the 3.5 ~ 29.7 MHz bands. As supplied, the 10, 18, and 24.5 MHz bands are for reception only. The VFO covers ± 50 KHz above and below each band for near-MARS frequencies. (with the DFC-230, ± 100 kHz.)

5. IMPROVED TWO SIGNAL CHARACTERISTICS

High performance circuit elements in the front end and optimum signal level distribution result in improved intermodulation and blocking characteristics.

6. BUILT-IN RF ATTENUATOR

Built-in 20 dB attenuator protects the RF amplifier and mixer from strong signals or a strong interfering adjacent signal. This also prevents cross modulation and blocking.

7. BUILT-IN SPEECH PROCESSOR

Built-in speech processor provides audio compression and varies the ALC time constant simultaneously, resulting in minimal degradation of sound quality.

8. AUTOMATIC SSB MODE SWITCHING

The SSB mode is selected automatically according to the band selected. When the band selected is 10 MHz or higher, USB is selected. When it is below 10 MHz, LSB is selected. Mode selection can be reversed by setting the mode switch to the REV position.

9. COMPACT, LIGHTWEIGHT DESIGN

The TS-130SE has many advanced features, yet it is compact and lightweight, suitable for mobile and field operations as well as fixed-station operation.

10. EASY OPERATION

All controls and switches are carefully arranged for ease of operation, ensuring convenience and versatility.

11. ALL SOLID-STATE DESIGN

The all solid-state, compact unit features a wide-band final stage, eliminating the need for peaking controls.

12. A FIXED CHANNELS

A fixed channel is available for common use on all bands by installing a crystal in the socket on the AF-GAIN unit.

13. FULL RANGE OF AUXILIARY FUNCTIONS

It is equipped with VOX, balanced-gate noise blanker for pulse noise rejection, and a 25 kHz marker.

14. SSB narrow filter YK-88SN

An optional SSB narrow filter YK-88SN can be installed. (Reception only)

15. OPTIONAL CW FILTERS YK-88C AND YK-88CN

The TS-130SE permits use of the optional YK-88C or YK-88CN CW filter (Reception only). CW semi-break-in operation is provided using the built-in VOX and CW side-tone circuits.

16. WIDE VARIETY OF OPTIONAL ACCESSORIES

The following optional accessories are available: Regulated power supply (PS-30) for the TS-130SE, frequency controller (DFC-230), external VFO (VFO-120), external speaker (SP-120), mobile mount (MB-100), fan unit (FA-4), CW filter (YK-88C), CW narrow filter (YK-88CN), SSB narrow filter (YK-88SN), and other optional units.

SECTION 2. PREPARATION FOR USE

2.1 INTERCONNECTION

Connect the transceiver as illustrated in Fig. 2-1.

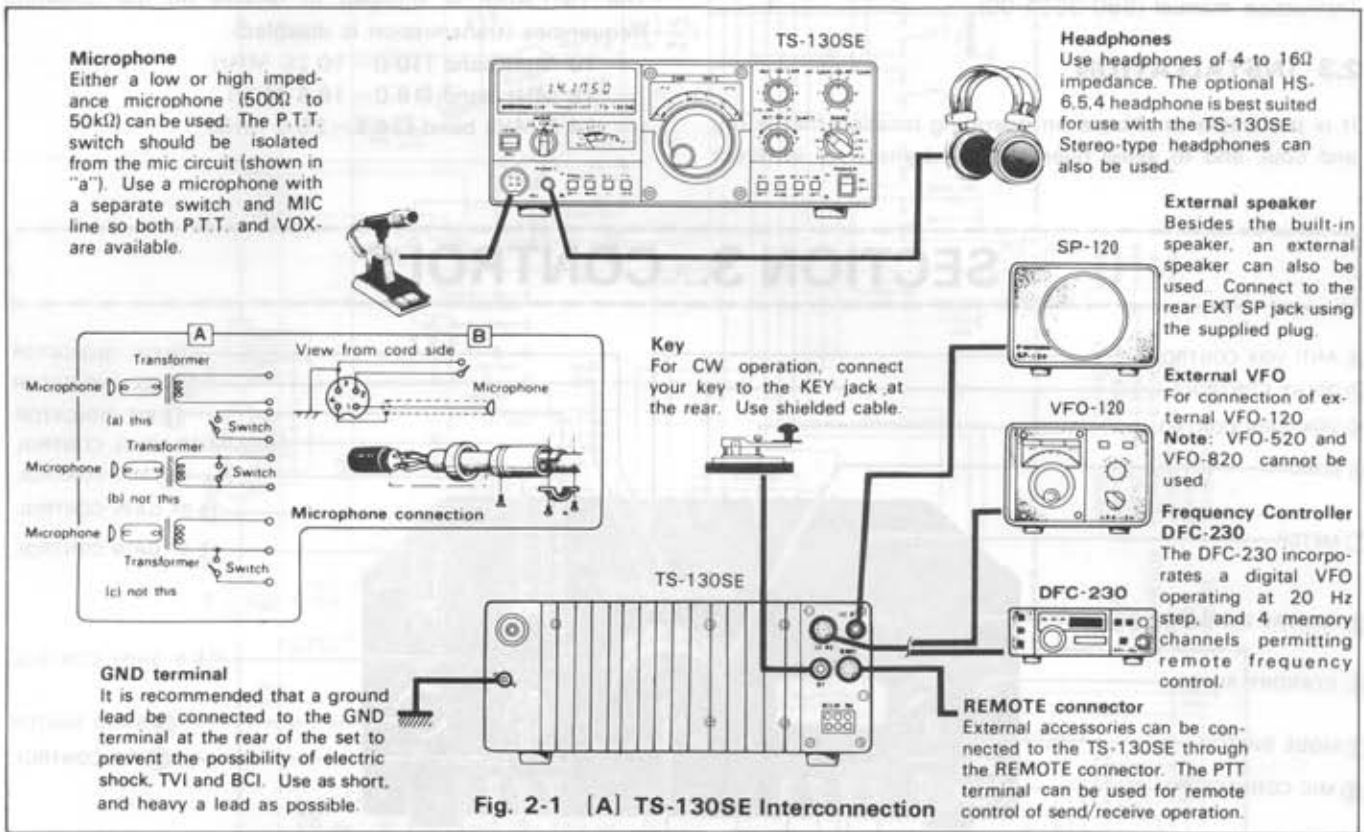


Fig. 2-1 [A] TS-130SE Interconnection

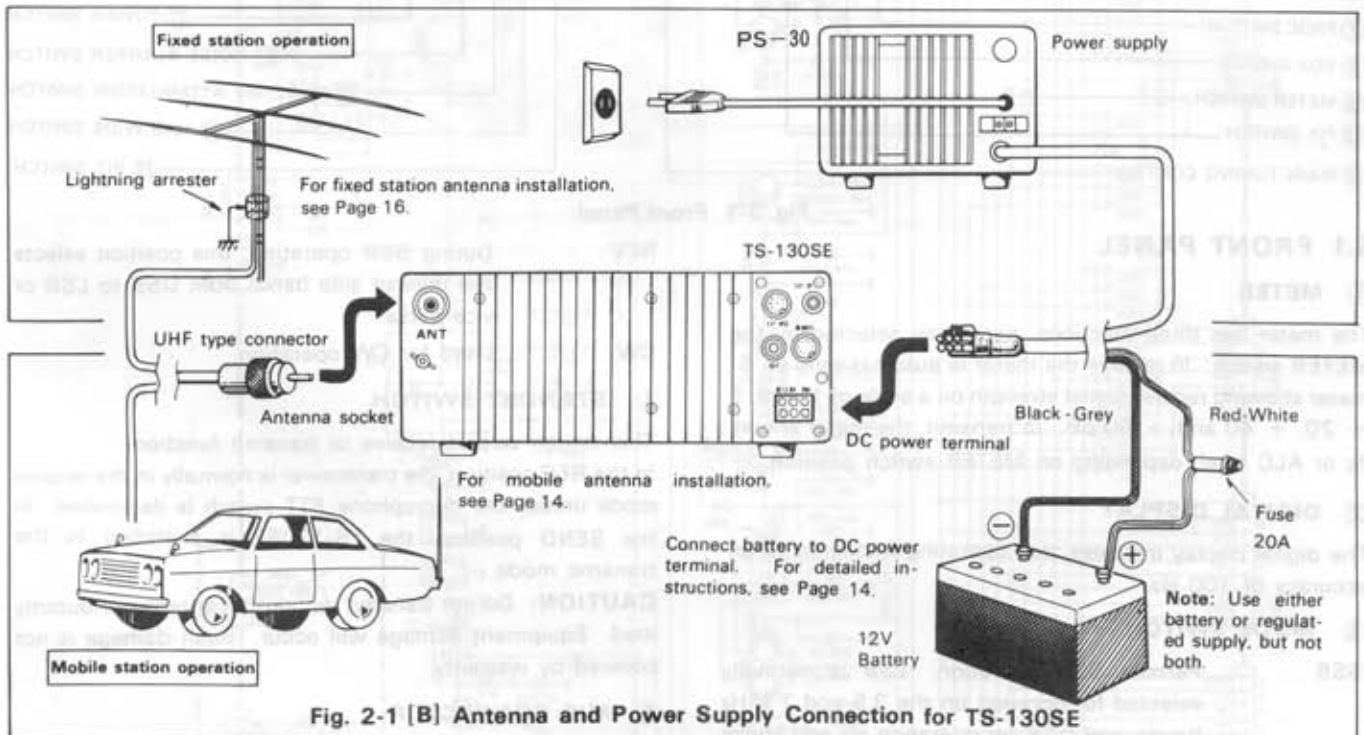


Fig. 2-1 [B] Antenna and Power Supply Connection for TS-130SE

2.2 ACCESSORIES

The following accessories are furnished with the TS-130SE.

DC power cord (E30-1638-05).....	1
Fuse, 20A (F05-2034-05).....	1
Instruction manual (B50-3954-00).....	1

2.3 INSTALLATION

It is preferable to choose an operating location that is dry and cool, and to avoid operating the transceiver in direct

sunlight.

Allow adequate ventilation, particularly during mobile operation.

NOTE:

The TS-130SE is supplied to receive on the following frequencies (transmission is disabled):

10 MHz band (10.0–10.25 MHz)

18 MHz band (18.0–18.5 MHz)

24.5 MHz band (24.5–25.0 MHz)

SECTION 3. CONTROLS

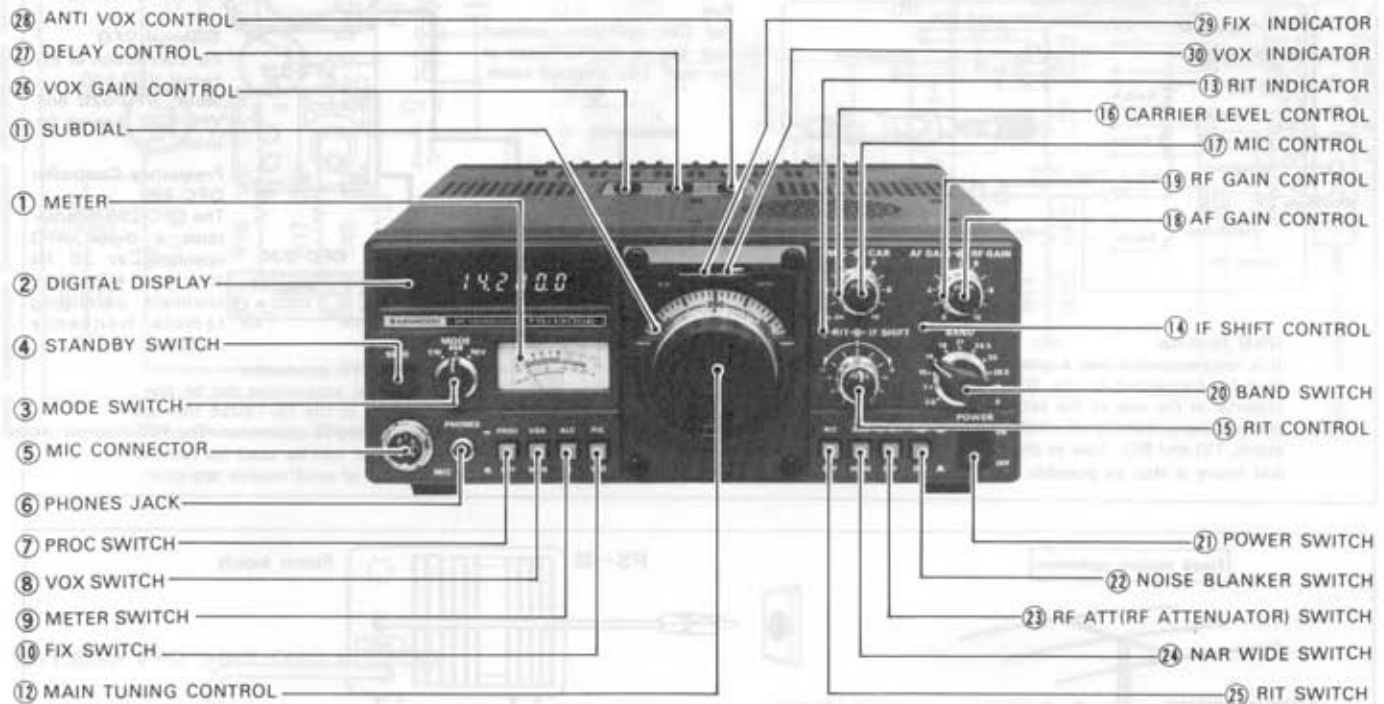


Fig. 3-1 Front Panel

3.1 FRONT PANEL

① METER

The meter has three functions, two being selected by the METER switch. In receive the meter is automatically an S-meter showing receive signal strength on a scale of 1 ~ 9, 9 + 20, + 40 and + 60 dB. In transmit, the meter shows Ic or ALC level, depending on METER switch position.

② DIGITAL DISPLAY

The digital display indicates true operating frequency to an accuracy of 100 Hz.

③ MODE SWITCH

SSB Permits SSB operation. LSB is normally selected for operation on the 3.5 and 7 MHz bands, and USB for operation on and above the 10 MHz bands. Switching between LSB and USB is done automatically by the BAND switch.

REV During SSB operation, this position selects the reverse side band; from USB to LSB or vice versa.

CW Used for CW operation.

④ STANDBY SWITCH

This switch selects receive or transmit function. In the REC position, the transceiver is normally in the receive mode unless the microphone PTT switch is depressed. In the SEND position, the TS-130SE is switched to the transmit mode.

CAUTION: Do not transmit without an antenna or dummy load. Equipment damage will occur. Such damage is not covered by warranty.

⑤ MIC CONNECTOR

Connect your microphone (MC-30S, MC-35S, MC-50, MC-60/N4, etc.), referring to Fig. 2-1. The TS-130SE accepts both low and high impedance microphones.

⑥ PHONES JACK

The headphone jack allows use of 4-to-16-ohm (or greater) headphones. HS-6, HS-5, HS-4 optional headphones provide optimum results. Stereo-type headphones can also be used. This will disable the internal and external speaker.

⑦ PROC (processor) switch

During SSB transmission, the speech processor may be used to increase "talk power".

⑧ VOX (VOICE OPERATED TRANSMIT) SWITCH

This function is used for SSB VOX or CW semi-break-in operation. In the MAN (manual) position, the transceiver is keyed by either the standby switch or the microphone PTT switch. For VOX operation, the standby switch remains in REC. (See page 11.)

⑨ METER SWITCH

During transmission, the meter switch determines meter function. The switch selects between:

ALC The meter monitors the output of the final stage power amplifier during transmission. During SSB operation, adjust the MIC control so that the meter pointer is within the ALC zone. Similarly, adjust the CAR control for CW operation.

IC The meter monitors final stage collector current. 12~19A is normal, 17A typical.

⑩ FIX (fixed channel) SWITCH

The TS-130SE has a built-in fixed channel oscillator (crystals are user-provided, optional) which is activated by the FIX switch for fixed channel or VFO operation.

⑪ SUBDIAL

The subdial is calibrated from 0 to 500. It is driven from the main tuning knob to indicate the transceiver's operating frequency.

⑫ MAIN TUNING CONTROL

This control is used to select the desired operating frequency. The scale on the control knob is calibrated at 1 kHz intervals, allowing accurate tuning. For exact frequency, read the Digital Display.

⑬ RIT INDICATOR

This light emitting diode indicates the RIT circuit is ON.

⑭ IF SHIFT CONTROL

By using this control, the IF crystal filter center frequency can be shifted ± 1 kHz, allowing adjustment of tone quality, or eliminating interference from adjacent frequencies. For normal operation, this control should be set to the center "0" position (detent).

⑮ RIT CONTROL

When the RIT circuit is ON, this will vary receive frequency by about ± 1.5 kHz. When the control is set to the "0" center position, there is no frequency shift.

⑯ CAR (CARRIER LEVEL) CONTROL

This control is used to adjust the carrier output level and is effective only during CW operation. Adjust the control so the ALC meter indication is within the ALC zone. For "QRP" operation, reduce carrier insertion.

⑰ MIC (MICROPHONE GAIN) CONTROL

This adjusts mic amplifier gain during SSB operation. Again, adjust the control so the ALC meter indication is within the ALC zone.

When this control is set to the CAL ON position, the built-in calibrator is activated, permitting calibration of the receiver dial scale at 25 kHz intervals.

⑱ AF GAIN (AUDIO GAIN) CONTROL

This control adjusts the receiver audio amplifier gain. Volume of the received signal increases as the control is turned clockwise.

⑲ RF GAIN CONTROL

This adjusts the receiver section's RF amplifier gain. Turn the control fully clockwise for maximum gain. Turn counterclockwise to reduce the gain.

⑳ BAND SWITCH

This switch selects all Amateur bands from 3.5 — 29.7 MHz. The 10, 18, and 24.5 MHz bands as supplied are for reception only, and transmission on these frequencies is not possible. Use the 10 MHz band to receive WWV at 10.0 MHz.

CAUTION:

Do not turn the bandswitch during transmit.

㉑ POWER SWITCH

This switches the TS-130SE ON and OFF.

㉒ NB (NOISE BLANKER) SWITCH

This switch is used to reduce pulsating ignition noises of the type usually emitted from motor vehicles. Power-line, QRM and atmospheric "white" noise will not operate the noise blanker.

㉓ RF ATT (ATTENUATOR) SWITCH

With this switch ON, a 20 dB attenuator is inserted in the antenna circuit, protecting the RF amplifier and mixer from overload on strong input signals.

㉔ NAR/WIDE switch

This switch selects receive IF bandwidths between narrow and wide. The WIDE position provides the same IF bandwidth for both CW and SSB. For the NARROW position, optional filters are available for both CW and SSB.

㉕ RIT SWITCH

This push switch turns the RIT (Receiver Incremental Tuning) circuit ON and OFF. With the switch depressed, the circuit is activated and the RIT indicator is illuminated, allowing the receive frequency to be shifted by about ± 1.5 kHz independent of the transmit frequency by using the RIT control. The RIT circuit is turned OFF when the switch is out.

26 VOX GAIN CONTROL

This control adjusts VOX circuit sensitivity for both SSB and CW operation.

27 DELAY CONTROL

This control is used to adjust the "Hold" time of the VOX circuit. Clockwise adjustment gives longer hold-time.

28 ANTI-VOX CONTROL

This control is used to adjust the VOX system so that it is not tripped by sound from the speaker.

NOTE:

The VOX control panel (and serial number plate) is covered by thin plastic protective film which may be beveled off and

discarded. It is provided to protect the panel during manufacture, and is not intended as a permanent part of the radio.

29 FIX INDICATOR

The FIX indicator illuminates when the internal fixed frequency oscillator controls transceiver operation.

30 VFO INDICATOR

The VFO indicator illuminates when the internal VFO controls transceiver operation. The indicator is not lighted during fixed channel or remote VFO operation.

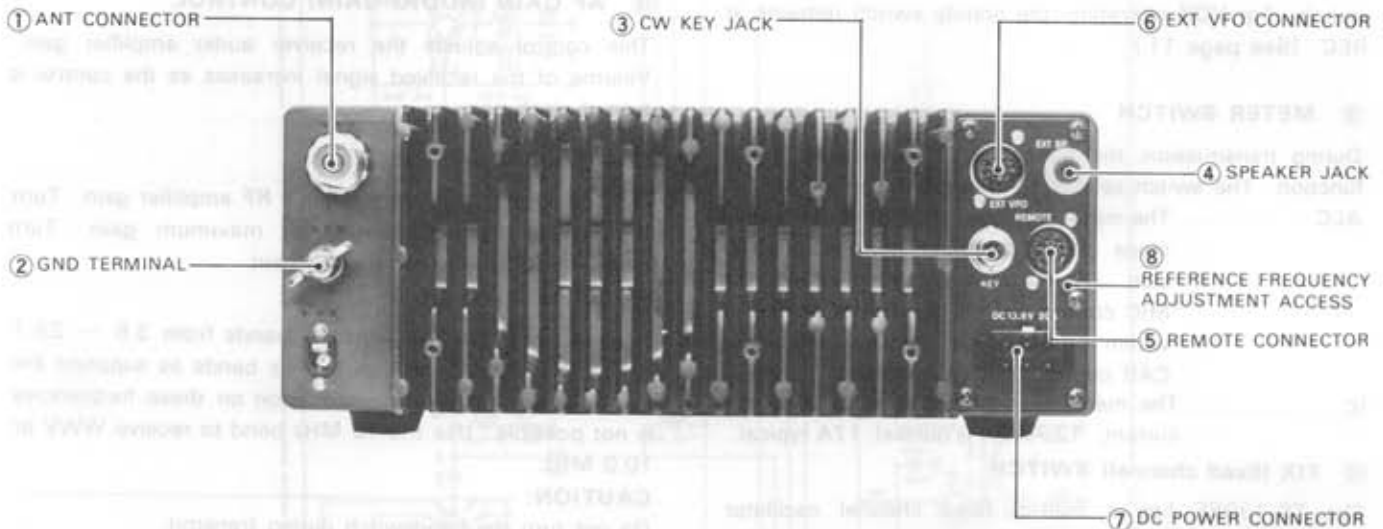


Fig 3-2 Rear, Top Panel

3.2 REAR PANEL

1 ANT (ANTENNA) CONNECTOR

This UHF connector should be attached to a suitable antenna for transmitting and receiving. The antenna cable should be 50-ohm coax, terminated with a PL-259 connector.

2 GND (GROUND) TERMINAL

The TS-130SE should be grounded through this terminal to avoid the possibility of TVI and BCI. Use as short and heavy a lead as possible.

3 CW KEY JACK

For CW operation, connect your key to this terminal using a two conductor phone plug and shielded cable.

4 SPEAKER (EXTERNAL SPEAKER) JACK

An external speaker of 4 ~ 16 ohms impedance (such as the SP-120) can be connected here. This will disable the internal speaker.

5 REMOTE CONNECTOR

This connector is used to interconnect a linear amplifier or other accessory item.

PIN	FUNCTION	PIN	FUNCTION
1	Record output	5	Normally closed (relay contact)
2	Relay common terminal (NOT grounded)	6	ALC input ALC threshold level approx. -6V
3	PTT line	7	No connection
4	Normally opened (relay contact)		

6 EXT VFO (EXTERNAL VFO) CONNECTOR

This is for connection of an external VFO-120, or remote Frequency Controller DFC-230. (Note: the VFO-520 and VFO-820 cannot be used, since their operating frequency is incorrect.)

PIN	FUNCTION	PIN	FUNCTION
1	VFO signal	5	VFO control
2	Relay control (+ on transmit)	6	Display control
3	+9V	7	Ground
4	CW freq. shift control	8	+12V

7 DC POWER CONNECTOR

This is used to connect the DC power supply.

8 REFERENCE FREQUENCY ADJUSTMENT (SIDE)

For PLL reference oscillator adjustment. Use WWV signal for calibration.

SECTION 4. OPERATION

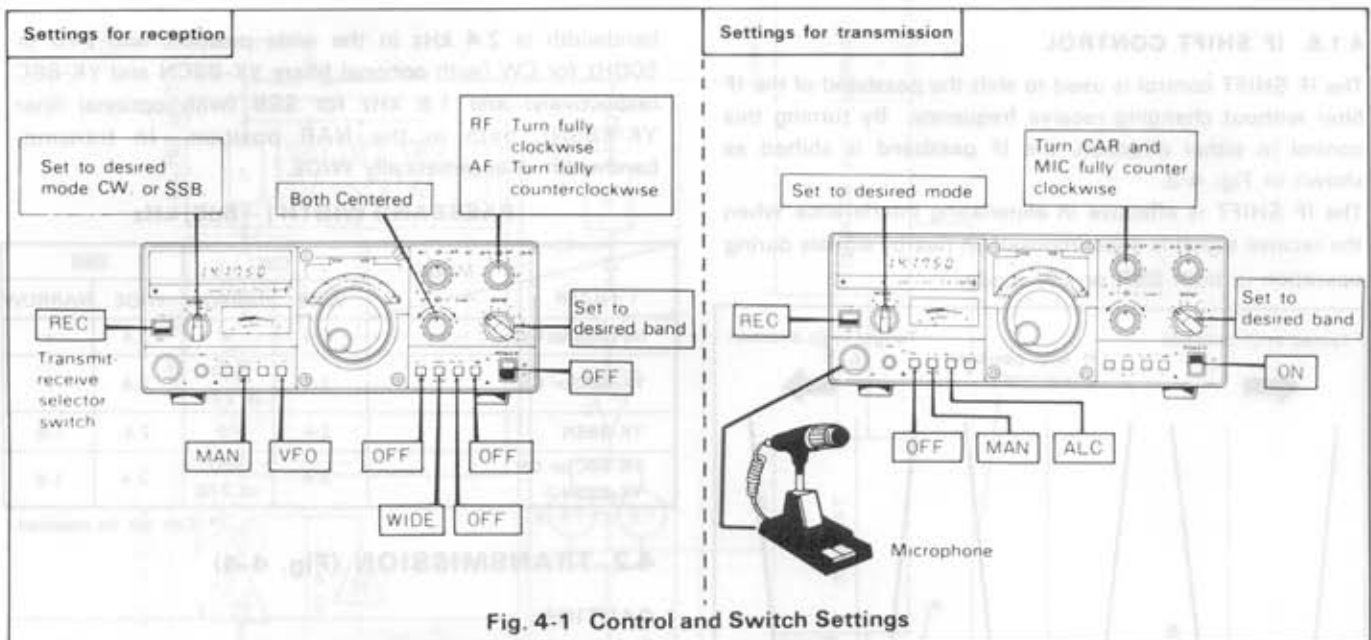


Fig. 4-1 Control and Switch Settings

4.1 RECEPTION

First connect the antenna, microphone and key. Then, set the controls and switches referring to Fig. 4-1.

Ascertain that the TS-130SE is ready for operation, then turn the POWER switch ON. The meter, dial scale and digital display will illuminate, indicating the transceiver is in operation. The transceiver is fully solid-state, allowing reception as soon as the POWER switch is turned ON.

Advance the AF GAIN control clockwise until some receiver noise is heard from the speaker. Turn the main tuning control so the desired signal can be heard clearly.

4.1.1. WWV RECEPTION

To receive WWV at 10 MHz, set the BAND switch to "10" and turn the main tuning control until the subdial reads "0".

4.1.2 RF ATT switch

The input to the receive RF amplifier is attenuated approximately 20 dB, providing distortion-free reception. This feature may be used in cases of receiver overload, caused either by a strong local signal, or during weak signal reception when a strong adjacent signal may blank the receiver.

4.1.2. NB SWITCH

The TS-130SE has a sophisticated noise blanker designed to reduce ignition-type pulse noise. The noise blanker is particularly important for mobile operation. When necessary, activate the noise-blanker by depressing the NB switch ON.

4.1.3. RF GAIN CONTROL. (Fig. 4-2)

For normal operation, this control should be turned fully clockwise for maximum sensitivity. Receive sensitivity is reduced by turning the control counterclockwise.

Adjust the RF GAIN so the S-meter does not show excessive deflection. This minimizes noise during reception and allows the S-meter to indicate signal peak (or a little below that point). Noise is markedly reduced when signal is absent.

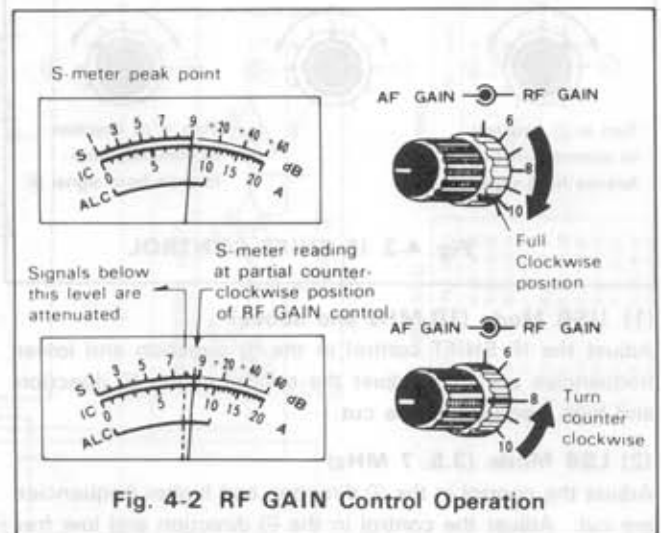


Fig. 4-2 RF GAIN Control Operation

4.1.4. RIT CONTROL

By using the RIT (Receiver Incremental Tuning) control, the receive frequency can be shifted by about ± 1.5 kHz without changing the transmit frequency.

If the frequency of the station you are working changes, your receive frequency can be reset by turning the RIT switch ON and adjusting the RIT control. Adjusting the control clockwise increases the frequency. The RIT shift can be checked by the digital display. When first calling another station, the RIT should be OFF, otherwise your transmit and receive frequency will not coincide.

4.1.5. IF SHIFT CONTROL

The IF SHIFT control is used to shift the passband of the IF filter without changing receive frequency. By turning this control in either direction, the IF passband is shifted as shown in Fig. 4-3.

The IF SHIFT is effective in eliminating interference when the receive signal is superimposed on nearby signals during operation in both SSB or CW mode.

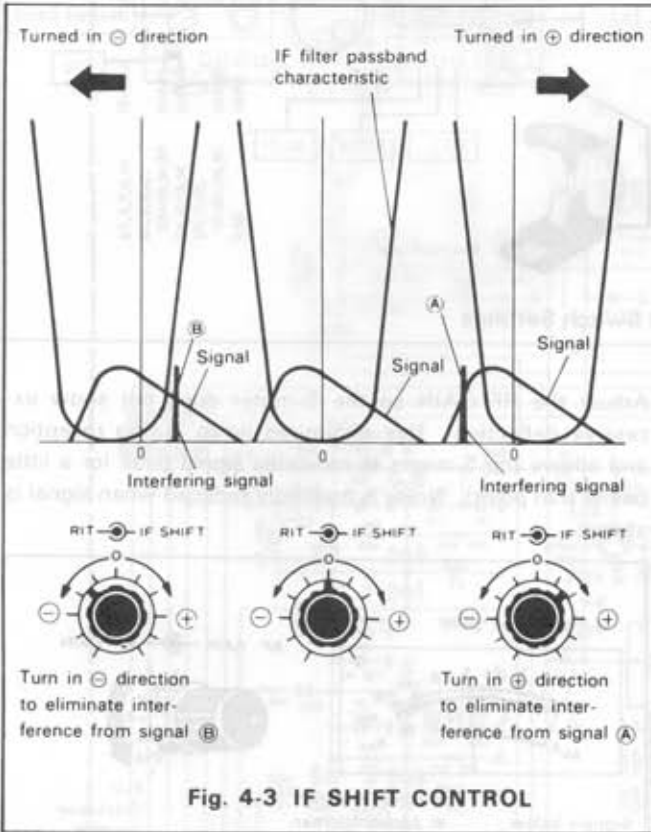


Fig. 4-3 IF SHIFT CONTROL

(1) USB Mode (10 MHz and above)

Adjust the IF SHIFT control in the ⊕ direction and lower frequencies are cut. Adjust the control in the ⊖ direction and high frequencies are cut.

(2) LSB Mode (3.5, 7 MHz)

Adjust the control in the ⊕ direction and higher frequencies are cut. Adjust the control in the ⊖ direction and low frequencies are cut.

(3) CW Mode

By using the IF SHIFT in conjunction with the RIT, tone quality can be adjusted.

4.1.7 NAR-WIDE switch operation

For short to medium distance communication, the WIDE position may be used for both SSB and CW operation. For DX (long distance) communication, the NAR position will be an advantage in reducing interference.

This feature, in combination with the IF SHIFT control, will provide outstanding interference rejection. The receive IF

bandwidth is 2.4 kHz in the wide position, and 270 or 500Hz for CW (with optional filters YK-88CN and YK-88C respectively) and 1.8 kHz for SSB (with optional filter YK-88SN), both in the NAR position. In transmit, bandwidth is automatically WIDE.

PASSBAND WIDTH (−6dB) kHz

FILTER	MODE		SSB	
	WIDE	NARROW	WIDE	NARROW
No optional filter	2.4	*	2.4	*
YK-88C or CN	2.4	500 or 270	2.4	*
YK-88SN	2.4	1.8	2.4	1.8
YK-88C or CN YK-88SN	2.4	500 or 270	2.4	1.8

* Can not be received.

4.2 TRANSMISSION (Fig. 4-4)

CAUTION:

Before transmitting, be sure to connect an antenna or dummy load with a VSWR of less than 1.5:1. Never attempt to transmit with the antenna terminal left open.

When testing the transmitter, connect a 50-ohm dummy load, rated at more than 100W. Refer to Fig. 4-1 for initial control settings.

When the TS-130SE is ready for transmission, use the following procedure:

● **SSB Operation**

- 1 Set the MODE switch to SSB.
- 2 Meter switch to ALC.
- 3 Standby switch to SEND.
- 4 Speak into the microphone and adjust the MIC GAIN for meter deflection within the ALC zone at signal peaks.

● **PROC (processor) operation**

In DX (long distance) operation, it may be desirable to increase talk-power by using the speech processor.

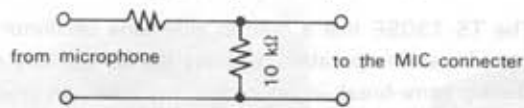
The speech processor in the TS-130 Series combines an audio compression amplifier with changes in ALC time constant to provide extra audio punch to increase average SSB output power, while suppressing sideband splatter. To activate, turn on the PROC switch, and readjust mic gain. Operated as described, distortion will be minimal. However, tone quality will be affected. It is therefore advisable to conduct normal operation with the processor disabled.

NOTE:

When a high-output microphone is used, input overload and distortion will result.

To prevent this, use an attenuator in the microphone circuit as shown below, or connect a 10k—33kΩ resistor (depending on microphone used) across the microphone input. (Mic control setting should be approximately 12 O'clock)

10k — 33 k Ω (depending on microphone used.)



The MC-50 microphone is recommended (Microphone sensitivity: -55 ± 3 dB for approx. 5 cm distance to the mic.)

● CW Operation

- 1 Set the MODE switch to CW and the meter switch to ALC.
- 2 Set the standby switch to SEND and adjust the CAR control so the meter deflects within the ALC zone. If a key is connected, it should be depressed during the adjustment.

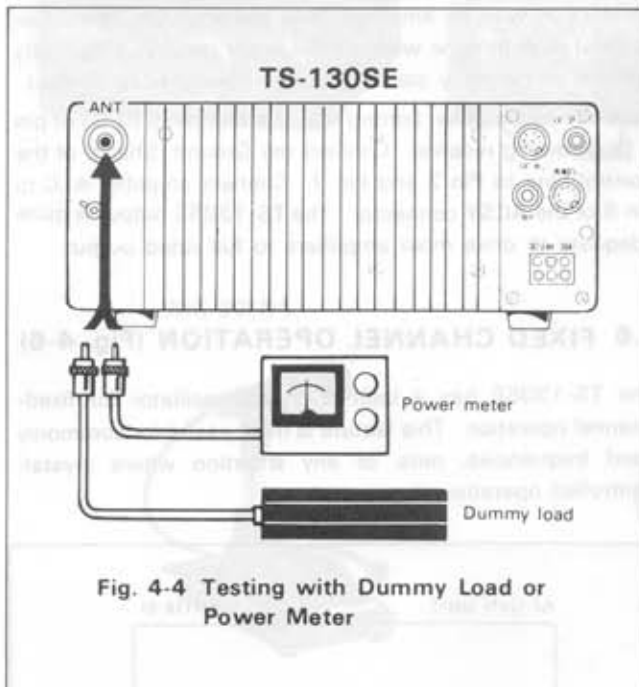


Fig. 4-4 Testing with Dummy Load or Power Meter

4.2.1. FINAL STAGE PROTECTION

The TS-130SE features a VSWR protection circuit to protect the final-amplifier transistors.

Two different protection circuits are designed into the TS-130SE.

- i) The same VSWR protection method as used in the TS-130SE. That is, the final-stage transistors are protected by detecting VSWR of the antenna system and automatically lowering transmitter output power if the VSWR is too high.
- ii) The heat-sink temperature could rise abnormally during long transmissions, if the area adjacent to the heat-sink is blocked. In this case, the TS-130SE automatically returns to the receiving mode, and transmitting is not

possible until the heat-sink cools to the proper temperature.

NOTES:

If transmitter output decreases due to activation of the protection circuit caused by high VSWR, recheck and retune the antenna system carefully.

(3) When FA-4 Fan Unit Is Installed.

The cooling fan operates when the heat-sink temperature rises, to approximately 50°C (122°F) and it ceases to operate when the temperature decreases to normal, approximately 40°C (104°F). The heat-sink is made of die-cast aluminum and is actually the rear panel. It must be kept clear of surrounding objects, in order that heat will dissipate easily.

The cooling fan is designed to operate when the heat-sink temperature is at a specific level, regardless of whether the unit is in transmit or receive mode.

Fan life is approximately 500 hours.

NOTES:

When the cooling fan starts to operate, determine that adequate air flow is possible in the heat-sink area.

4.2.2. MIC GAIN CONTROL (Fig. 4-5)

This control adjusts the microphone input level. When using the TS-130SE in SSB mode, connect a microphone and set the standby switch to SEND (antenna or dummy load MUST be connected).

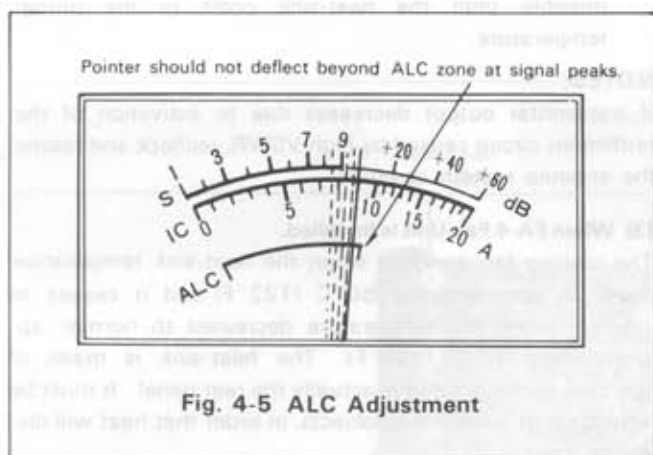
Set the meter switch to ALC and speak into the microphone. Adjust the MIC GAIN control so the meter does not deflect out of the ALC zone at signal peaks.

The TS-130SE accepts either a low or high impedance microphone (500 Ω to 50 k Ω). When using a low impedance microphone (500 Ω) the MIC GAIN control should be advanced higher than when a high impedance microphone is used, while observing the ALC meter.

● ALC (Automatic Level Control)

The ALC monitors the transmitter final stage output to minimize distortion in your transmitted signal. It automatically adjusts output to an optimum level.

Downloaded by
RadioAmateur.EU



4.3 VOX OPERATION

4.3.1. VOX SWITCH

VOX (voice operated transmit) is used to switch the TS-130SE into transmit mode by your voice. Depress the switch ON and speak into the microphone. The transceiver automatically switches to transmit mode (the MIC control should be adjusted in advance as explained in Item 4.2.2). Both the send switch and the MIC P.T.T. switch are left in the REC position.

4.3.2. VOX GAIN CONTROL

This adjusts the VOX circuit sensitivity. Speak into the microphone at normal voice levels and adjust the control. Clockwise increases sensitivity, allowing transmission with a low voice level. Transceiver operating condition can be checked by the sound from the speaker. When the speaker is silent, the transceiver is in transmit mode.

Note that if the control is advanced too far, the VOX circuit is "tripped" by ambient noise.

4.3.3. ANTI-VOX CONTROL

This prevents the VOX circuit from being "tripped" by sound from the speaker.

Adjust the control so the VOX will not operate at the desired speaker volume level.

4.3.4. VOX DELAY CONTROL

This control adjusts the transmit hold time of the VOX circuit. If the hold time is too short, the transceiver will return to receive mode as soon as you stop talking into the microphone. This can be eliminated by turning the control clockwise. Adjust the control for comfortable operation at a normal rate of speech.

4.4 SEMI-BREAK-IN OPERATION

The TS-130SE has a built-in side-tone oscillator to permit semi-break-in operation, besides the normal CW operation. During semi-break-in operation, the transceiver is placed in transmit mode when the key is depressed, and returns to receive mode when the key is released. The VOX circuit is activated by the side-tone.

For semi-break-in operation, set the VOX switch ON and the MODE switch to CW. Adjust the VOX GAIN to insure that the transceiver is set in transmit mode whenever the key is depressed. Also, adjust the VOX DELAY for desired hold-in. ANTI VOX adjustment is not required.

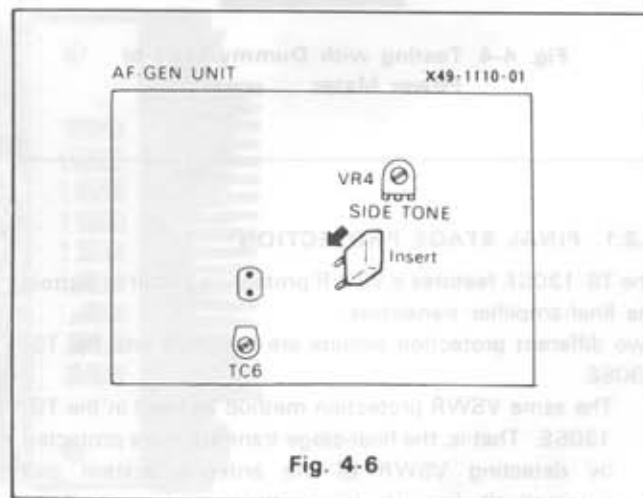
4.5 OPERATION WITH A LINEAR AMPLIFIER

The ACSY connector on the rear panel provides for interconnection with an amplifier. See the amplifier instruction manual to determine whether the linear requires a normally opened or normally closed (during receive) relay contact.

Connect the amplifier control line to either pin 5 (N.C.) or pin 4 (N.O. during receive). Connect the Ground (Shield) of the Control Line to Pin 2 and Pin 7. Connect amplifier ALC to pin 6 of the ACSY connector. The TS-130SE output is quite adequate to drive most amplifiers to full rated output.

4.6 FIXED CHANNEL OPERATION (Fig. 4-6)

The TS-130SE has a built-in crystal oscillator for fixed-channel operation. This feature is most useful for commonly used frequencies, nets, or any situation where crystal-controlled operation is required.



SECTION 6. OPTIONAL ACCESSORIES

4.7.3. KEY CONNECTION (Fig. 4-9)

Your key should be connected as illustrated in Fig. 4-9. When using an electronic keyer, make sure that polarity is set for positive. Always use shielded line from the key to transceiver.

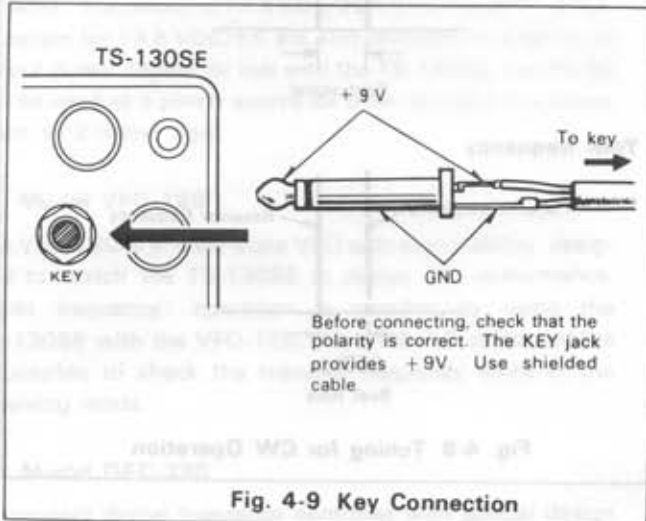


Fig. 4-9 Key Connection

4.8 MOBILE OPERATION (Fig. 4-10)

The TS-130SE being compact in design, is ideal for mobile operation. Satisfactory mobile operation is achieved through proper power and antenna connection, and thoughtful transceiver installation and adjustment.

4.8.1 TS-130SE INSTALLATION

Secure the TS-130SE under the dashboard using an optional MB-100 mounting bracket as shown in Fig. 4-10. As an alternative, use strapping, making sure that the TS-130SE will not slip out of place while driving the vehicle.

NOTES:

1. Do not install the TS-130SE near the heater outlet.
2. Allow sufficient space behind the TS-130SE to ensure

4.8.2. HOW TO HANDLE THE POWER CABLE

When connecting or disconnecting the power cable to or from the power connector, be sure that the power switch is always in the "OFF" position. Observe polarity of the cable. The TS-130SE operates on 13.8 VDC, negative ground. Battery polarity must be correct. The power cord is color coded:

CAUTION: Observe battery polarity.

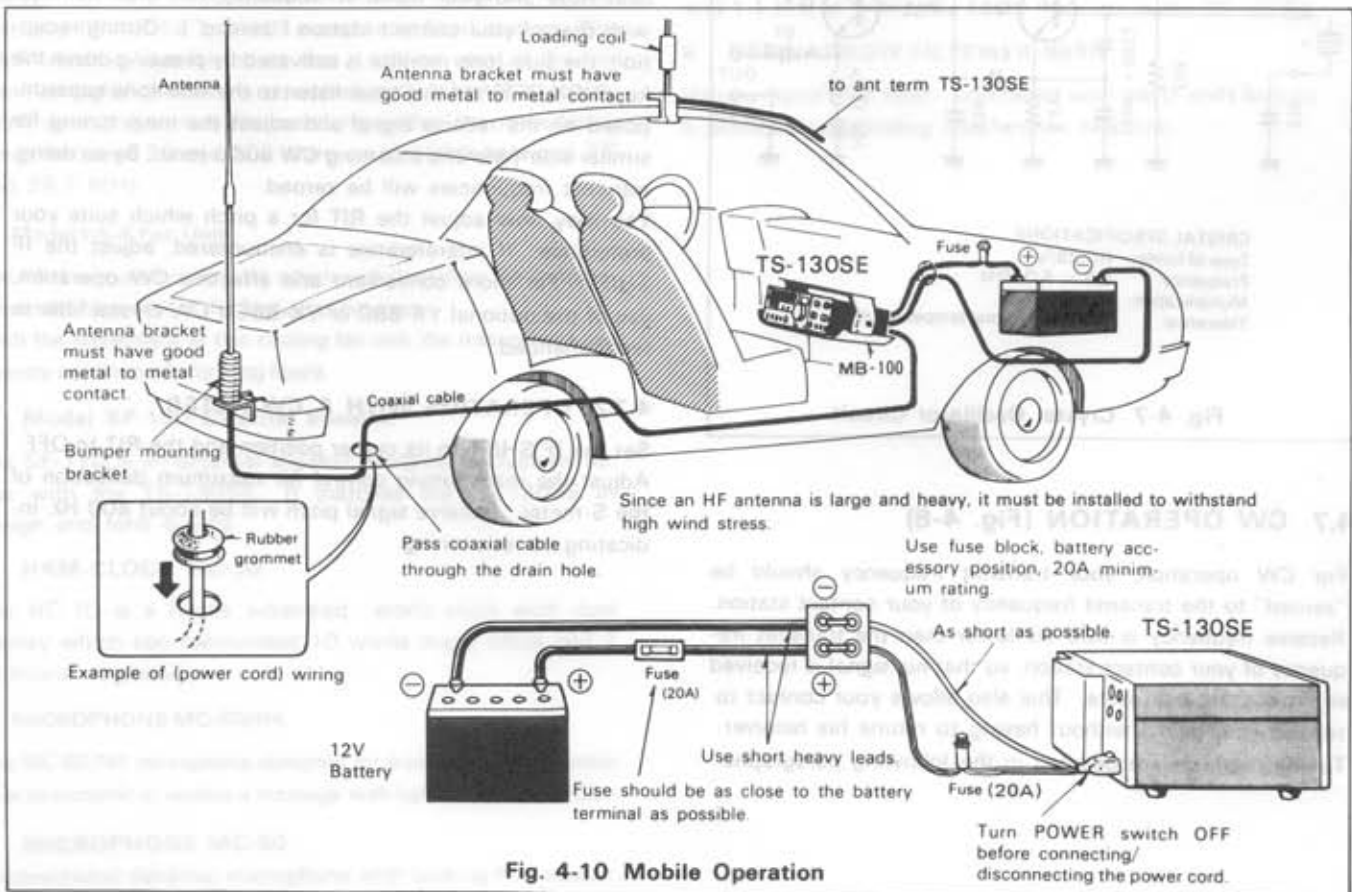


Fig. 4-10 Mobile Operation

POWER CABLE

red and white ⊕
black and gray ⊖

Connect the TS130SE power cable to the battery terminals, with consideration to current requirements and noise prevention. The maximum current drawn by the TS-130SE reaches to between 18 and 20A when transmitting. Therefore, the cable should be made as short as possible, using the specified fuse. Also, determine that the power system of the car (including the battery and generator or alternator) will handle the increased load of the TS-130SE.

Route battery and ANTENNA leads away from all high voltage secondary circuits to prevent ignition noise interference.

4.8.3. MOBILE ANTENNA

(1) Antenna Installation

Use a rugged mount for the mobile antenna because HF antennas are larger (and have more wind load) and are heavier than VHF antennas. A bumper mount is recommended for general use. The ground side of the mount must be grounded perfectly to the body of the car since the body itself functions as the ground plane for the mobile antenna. (Refer to Fig. 4-10.)

NOTES:

1. Some cars have a urethane plastic bumper. For such cars, ground the antenna mount to the body.
2. When tuning the newly installed antenna, use following procedure:
 - Turn the CAR control fully counter-clockwise for minimum transmit power.
 - With the transceiver in transmit mode, raise transmit power output slowly by rotating the CAR control clockwise. The antenna should be adjusted with minimum power.
 - Transmitting with full power is recommended after the antenna is adjusted for a VSWR below 1.5:1.
3. Antenna installation is critical for successful mobile operation. For further information refer to THE RADIO AMATEUR'S HANDBOOK, RADIO HANDBOOK, or other texts.

(2) Coaxial Cable Connection (Fig. 4-10)

When the antenna is mounted on the vehicles bumper, the coaxial cable from the antenna can be routed through a drain hole in the trunk. When the antenna is roof mounted pass the cable between the body and door. Leave a drip-loop at the lowest point in the cable before entry into the vehicle to prevent water from entering the car.

(3) Antenna Adjustment (Fig. 4-11)

Some mobile antennas are not designed for 50-ohm impedance. In this case, impedance matching between the antenna and the coaxial cable (50Ω) is required. This can be achieved by using an antenna matching device or coupler.

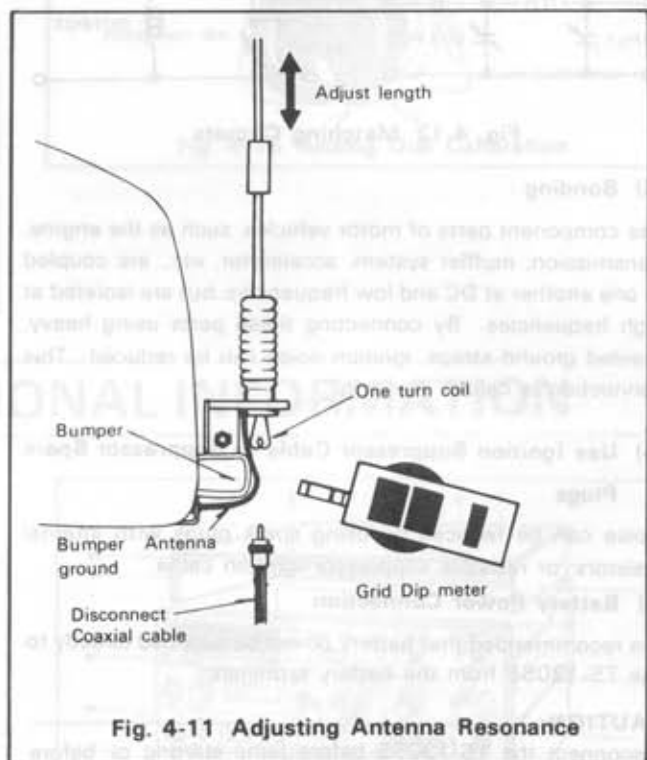


Fig. 4-11 Adjusting Antenna Resonance

The antenna to be used should first be checked with a dip meter to insure that it is designed for your operating band, then the impedance matching should be checked with an SWR meter. (See Fig. 4-11)

The VSWR should preferably be less than 1.5:1 for satisfactory operation. For antenna adjustment refer to the antenna instruction manual.

4.8.4. NOISE REDUCTION

In motor vehicles, ignition noise is generated by the ignition coil or distributor. Other sources of noise include the wiper and heater motors.

Although the TS-130SE is equipped with a noise blander to minimize ignition noise, it is imperative that some preventive measures be taken to reduce the noise to the lowest possible level.

(1) Antenna Location Selection

Since ignition noise is generated by the vehicles engine, the antenna must be installed as far from the engine as possible.

(2) Antenna Matching

In general, mobile antennas have a lower impedance than 50-ohm coaxial cable, resulting in a mismatch between the antenna and the coax. Such trouble can be eliminated by using an antenna tuner between the TS-130SE and the coaxial cable.

o Matching Circuit Examples

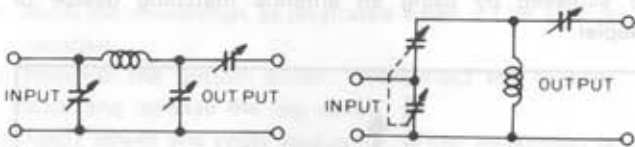


Fig. 4-12 Matching Circuits

(3) Bonding

The component parts of motor vehicles, such as the engine, transmission, muffler system, accelerator, etc., are coupled to one another at DC and low frequencies, but are isolated at high frequencies. By connecting these parts using heavy, braided ground straps, ignition noise can be reduced. This connection is called "bonding".

(4) Use Ignition Suppressor Cable or Suppressor Spark Plugs

Noise can be reduced by using spark plugs with internal resistors, or resistive suppressor ignition cable.

(5) Battery Power Connection

It is recommended that battery power be supplied directly to the TS-130SE from the battery terminals.

CAUTION:

Disconnect the TS-130SE before jump-starting or before charging the battery.

(6) Battery Capacity

The power system of a motor vehicle is comprised of a battery and an alternator (which generates power while the engine is running) to supply current to loads or to charge the battery.

Since the transceiver draws high current during transmit, care should be exercised so the power system is not overloaded. When using the transceiver, the following points should be observed from the viewpoint of battery maintenance:

- ① Turn the transceiver OFF when the lights, heater, wipers and other high-draw accessories are used.
- ② Avoid transceiver operation when the engine is not running.

- ③ If necessary, use an ammeter and/or a voltmeter to check battery condition.

4.9 FIXED STATION OPERATION

4.9.1. Power

The TS-130SE requires more than 18A at 13.8 VDC when transmitting with full power. Use the model PS-30 power supply for fixed stations.

4.9.2. ANTENNA

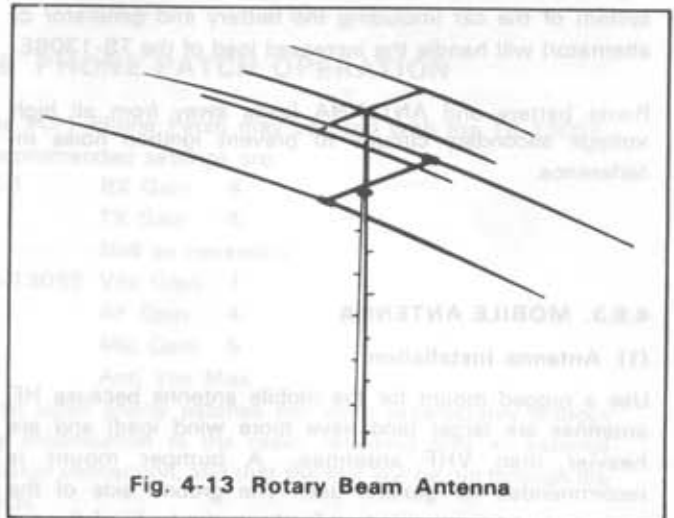


Fig. 4-13 Rotary Beam Antenna

For HF fixed-station operation, an antenna specifically designed for amateur operation is recommended. Antenna types include the wire antennas, verticals, rotary beam, and other antennas. HF antennas are quite large and must be installed to withstand strong wind, heavy rain, etc.

Any antenna used with the TS-130SE should be of 50-ohm impedance and should be connected using an appropriate coaxial cable such as RG-8/U.

Impedance matching is important. Impedance mismatching will result in a high VSWR and power loss, or can cause unwanted harmonic radiation and interference (TVI, BCI).

The impedance match can be checked with an SWR meter.

Generally satisfactory operation is assured when the VSWR (Voltage Standing Wave Ratio) is less than 1.5:1.

For impedance matching between the antenna system and transceiver, use of the AT-130 Antenna Tuner (option) is recommended. A rotary beam antenna is very effective for DX operation in the 14, 21 and 28 MHz bands. (Fig. 4-13)

NOTE:

Protect your equipment — use a lightning arrestor.

4.10 DIGITAL DISPLAY CALIBRATION (Fig. 4-14)

Connect the antenna and set the BAND switch to 10. Turn the main tuning dial to about "0" to receive the 10 MHz WWV signal. Adjust the dial until a low-frequency beat is heard. Next, turn on the CAL switch and a marker signal is superimposed on the WWV beat signal. A double beat (two beat signals of high and low frequencies) will now be heard.

While receiving this double beat, adjust the Counter unit trimmer through the reference frequency adjustment access opening (at the side of the TS-130SE so the two beats are heard as a single beat. This completes calibration of the Digital Display. After calibration turn off the CAL switch.

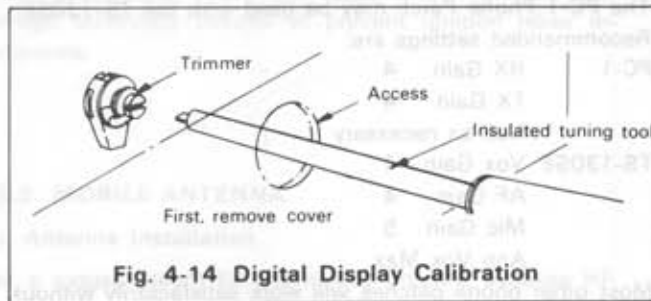


Fig. 4-14 Digital Display Calibration

4.11 ANALOG DIAL CALIBRATION (Fig. 4-15)

The main dial scale is graduated at 1-kHz intervals. One revolution of the main dial covers 25 kHz. To calibrate the scale, turn the CAL switch ON and in SSB mode zero-beat. Hold the main tuning knob from rotating and slip the calibration ring to the nearest major (5 kHz) graduation. The dial is now calibrated.

Note: For exact frequency, read the Digital Display.



Fig. 4-15 Analog Dial Calibration

SECTION 5. ADDITIONAL INFORMATION

5.1 GENERAL INFORMATION

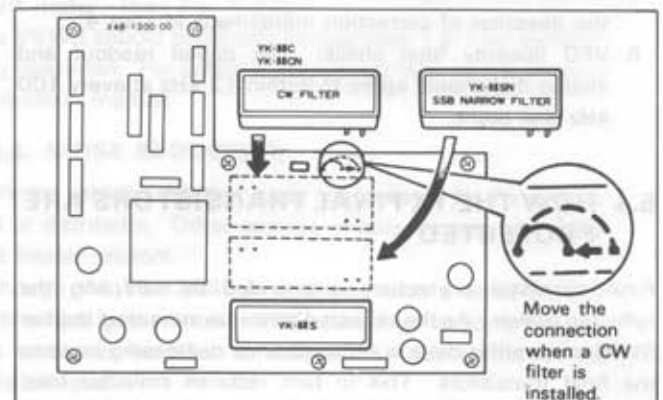
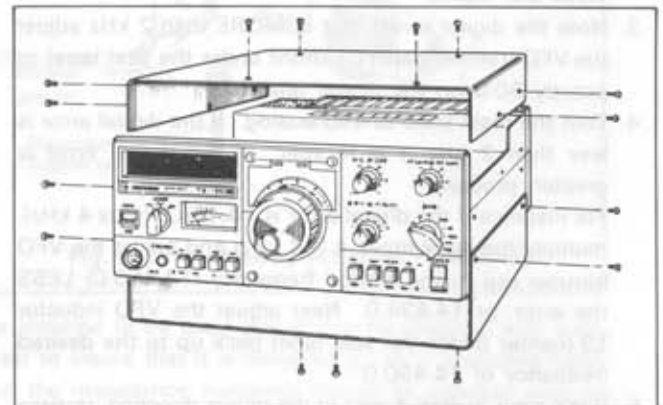
Your TS-130SE has been factory aligned and tested to specification before shipment. Under normal circumstances, the transceiver will operate in accordance with these operating instructions.

If your transceiver fails to work, contact the authorized dealer from whom you purchased it for quick, reliable repair. All adjustable trimmers and coils in your transceiver were preset at the factory and should only be readjusted by a qualified technician with proper test equipment.

Attempting service or alignment without factory authorization can void the transceiver's warranty.

5.2 INSTALLING THE OPTIONAL FILTERS

1. Using a #2 philips screwdriver, remove the top cover (8 screws). Be careful of the VOX controls, and the speaker lead, which may be unplugged.
2. Remove the bottom cover (7 screws).
3. Remove 7 screws from the IF unit and swing the board up and towards the center of the radio.
4. Using a 45W (or less) soldering pencil, clear the 6 holes for the filter, if they are filled with solder.



- There is no polarity to the filter. Install the filter into its position on the IF unit. Solder the 2 mounting tabs, and the 4 input and output pins to the circuit board. Solder sparingly, and heat the connections only long enough to insure a good solder joint. Don't overheat the filter or circuit board.
- Carefully inspect your soldering. Be certain that all pins are actually soldered, and that you have not soldered across any spots on the board or between any of the pins on the filter. Clip the pins flush to the board.
- Replace the IF unit in its place. Make certain no wires will be pinched underneath the board. Replace the 7 screws.
- Move the connection as illustrated when a CW filter is installed.
- Reinstall the bottom cover. Reconnect the speaker lead, and reinstall the top cover.
- Apply power and verify your work. Filter installation is now complete.

5.3 TS-130SE ANALOG DIAL ADJUSTMENT

- Turn the main dial fully CCW. The red cursor should line up with the VFO start mark on the sub-dial. If it does not, remove the main knob (2mm Allen), loosen the 12 mm nut and line up the scale start point to the red cursor.
- Turn the main knob to 50 kHz analog. Adjust the aluminum slip sub-dial to line up with any one of the larger black dial marks.
- Note the digital error. If it is MORE than 2 kHz adjust the VFO trimmer cap TC1 (front under the seal tape) to exactly 50.0 on the digital readout.
- Turn the main knob to 450 analog. If the digital error is less than 2 kHz it is in spec. If the digital error is greater, proceed:
For instance if the digital error is 14.454.0 (plus 4 kHz), multiply the error times 4 (16 kHz) and adjust the VFO trimmer cap to the desired frequency (14.450.0) LESS the error, or 14.434.0. Next adjust the VFO inductor L3 (center under the seal tape) back up to the desired frequency of 14.450.0.
- If the error in step 4 was in the minus direction, reverse the direction of correction adjustment in step 4.
- VFO linearity final check: The digital readout and analog dial should agree to within ± 2 kHz at every 100 kHz dial point.

5.4 HOW THE TX FINAL TRANSISTORS ARE PROTECTED

Final transistor protection is provided by sampling the reflected power. As the reflected power is increased (higher SWR) transmitter drive is reduced, thus decreasing input to the final transistors. This in turn reduces collector loss, protecting the final transistors.

5.5 TRANSMITTING ON WARC BANDS

As supplied, the TS-130SE will receive but not transmit on the 3 new WARC bands. If transmit capability is desired, a minor wiring change is required.

- For all 3 bands: On the Rf unit X44-1380-00 unplug J5 (or cut the brown wire).
- Of for individual Bands: On the RF unit:

Band	Remove (orcut) Part
10 MHz	D8
18 MHz	D9
24.5 MHz	D10

5.6 PHONE PATCH OPERATION

The PC-1 Phone Patch may be used with the TS-130SE.

Recommended settings are:

PC-1	RX Gain	4
	TX Gain	4
	Null	as necessary
TS-130SE	Vox Gain	1
	AF Gain	4
	Mic Gain	5
	Anti Vox	Max

Most other phone patches will work satisfactorily without any modification to the radio, requiring only an external speaker connection, and that the Mic line be run through the patch.

For those operators who desire a Patch input similar to the TS-520SE or TS-820S, an input connection and terminal must be added at the Mic input preamp circuit.

Use a 100-K Ω resistor in series, with a 10-k Ω to ground on the input side of the 100-k Ω resistor. Use shielded line, and connect as follows:

On the AF Gen unit X49-1110-01 install the fixed divider at the junction of R43 10k, C42 100pf, and C43 1uF (input of Q18). Add an RCA jack, or use remote pins 7 and Gnd for input.

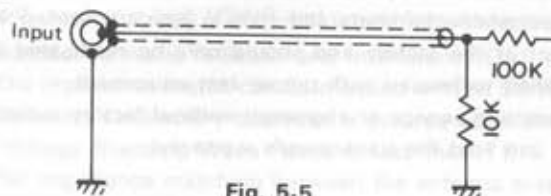


Fig. 5-5

5.7 ORDERING SPARE PARTS

When ordering replacement or spare parts for your equipment, be sure to specify the following:

- Model and serial number of your transceiver. Schematic number of the part. Printed circuit board number on which the part is located. Part number and name, if known, and Quantity desired.

NOTE:

A full service manual is available as a separate publication.

SECTION 6. OPTIONAL ACCESSORIES

The following optional accessories are available for use with the TS-130SE.

■ Model PS-30 Regulated DC Power Supply

The PS-30 is a regulated DC power supply with a large capacity. The output is 13.8 VDC/20A (Intermittent). Since terminals for 13.8 VDC/5A are also provided, in addition to output power cables for use with the TS-130SE, the PS-30 can be used as a power source for other mobile transceivers (such as 2-meter rigs).

■ Model VFO-120

The VFO-120 is a solid-state VFO with high stability, designed to match the TS-130SE in design and performance. "Split frequency" operation is possible by using the TS-130SE with the VFO-120. Also, the T-F switch makes it possible to check the transmit frequency while in the receiving mode.

■ Model DFC-230

A compact digital frequency controller with special design emphasis on mobile operation. It contains a digital VFO operating at 20 Hz steps and a 4 channel memory. Remote

■ Model AT-130 Antenna Tuner

The AT-130 is a compact antenna tuner designed for use with the TS-130SE in either a mobile or fixed station. The SWR meter is illuminated so that it can be used in the car even at night. Also, it is equipped with a highly accurate SWR detecting circuit for matching within the impedance range between 20 and 300 ohms on all bands between 3.5 and 29.7 MHz.

■ Model FA-4 Fan Unit

The FA-4 is a cooling fan unit which operates when the temperature in the heat-sink of the final amplifier rises.

With the installment of this cooling fan unit, the transceivers can operate continuously for long hours.

■ Model SP-120 External Speaker

The SP-120 is an external speaker designed exclusively for use with the TS-130SE. It matches the TS-130SE in design and tone quality.

■ HAM-CLOCK HC-10

The HC-10 is a highly advanced world clock with dual display which can memorized 10 world major cities and 2 additional regions.

■ MICROPHONE MC-60/N4

The MC-60/N4 microphone designed for transceivers can switch over to transmit or receive a message with light touch operation.

■ MICROPHONE MC-50

Unidirectional dynamic microphone with locking PTT switch provides excellent performance for VOX operation.

Impedance: 50 k Ω and 600 Ω (switchable)

20

frequency control by the up/down switch on the supplied microphone is possible, as is "cross" operation with the TS-130SE.

■ MICROPHONE MC-30S, MC-35S

Dynamic microphone with PTT switch specifically designed for mobile operation.

Impedance: 50 k Ω (MC-30S)

500 Ω (MC-35S)

■ HEADPHONE HS-6

Transceiver headphone with ideal tone quality and form is specially designed for light weight.

■ DELUXE HEADPHONE HS-5

Open-back type headphone designed for excellent tone quality and comfortable fit. The vented ear pads can be readily replaced with sealed cushions.

■ HEADPHONE HS-4

High-performance dynamic headphones with specially designed ear pads for comfortable listening.

Impedance: 8 Ω

■ YK-88C AND YK-88CN CW CRYSTAL FILTERS

The selectivity of the YK-88C is 500 Hz at -6 dB, and 1.5 kHz at -60dB. That of the YK-88CN is 270 Hz at -6 dB, and 1.1 kHz at -60 dB. Easily installed in the TS-130SE.

■ SSB NARROW FILTER YK-88SN

Narrow band SSB filter. Combined with the IF shift feature, it provides outstanding interference rejection.

Downloaded by
RadioAmateur.EU

INTERNAL VIEWS

PS-30



VFO-120



DFC230



AT-130



FA-4



SP-120



HC-10



MC-60/N4



MC-50



MC-30S, MC-35S



HS-6



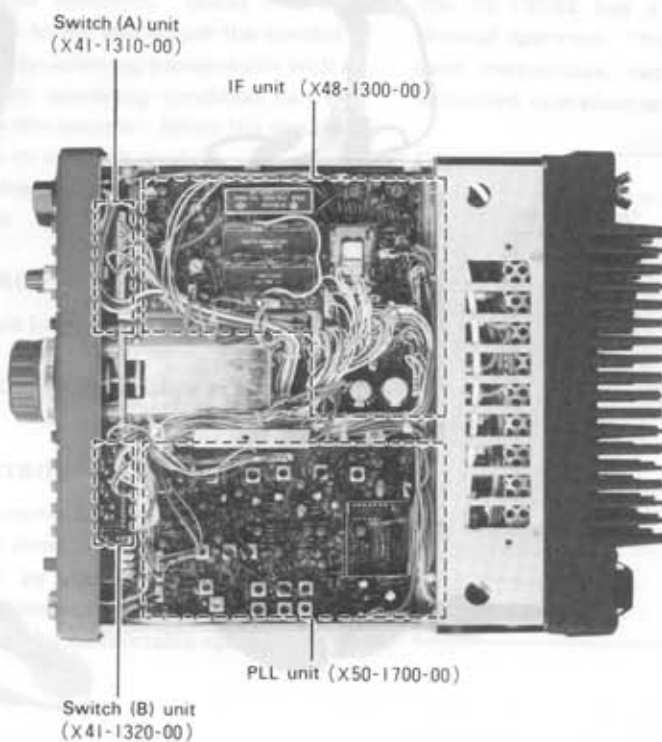
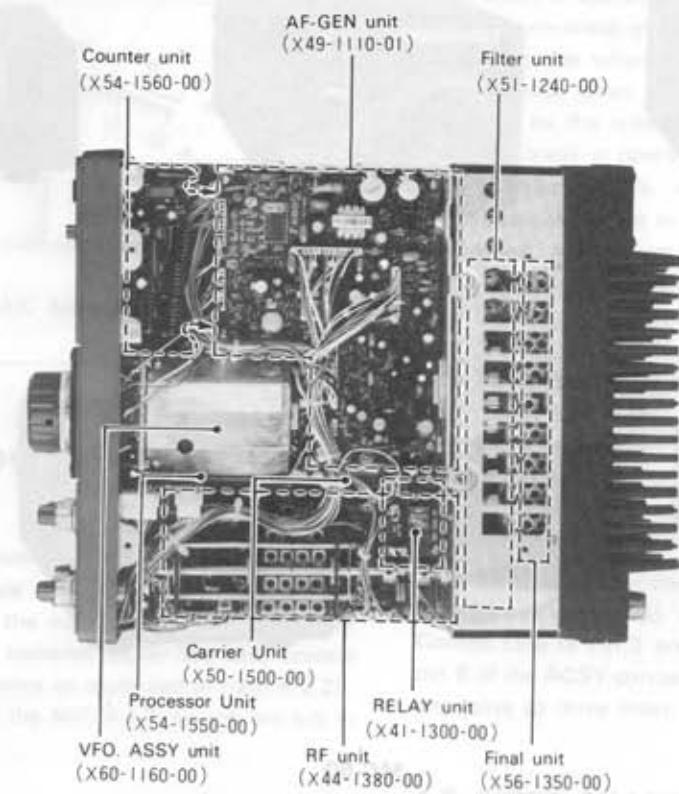
HS-5



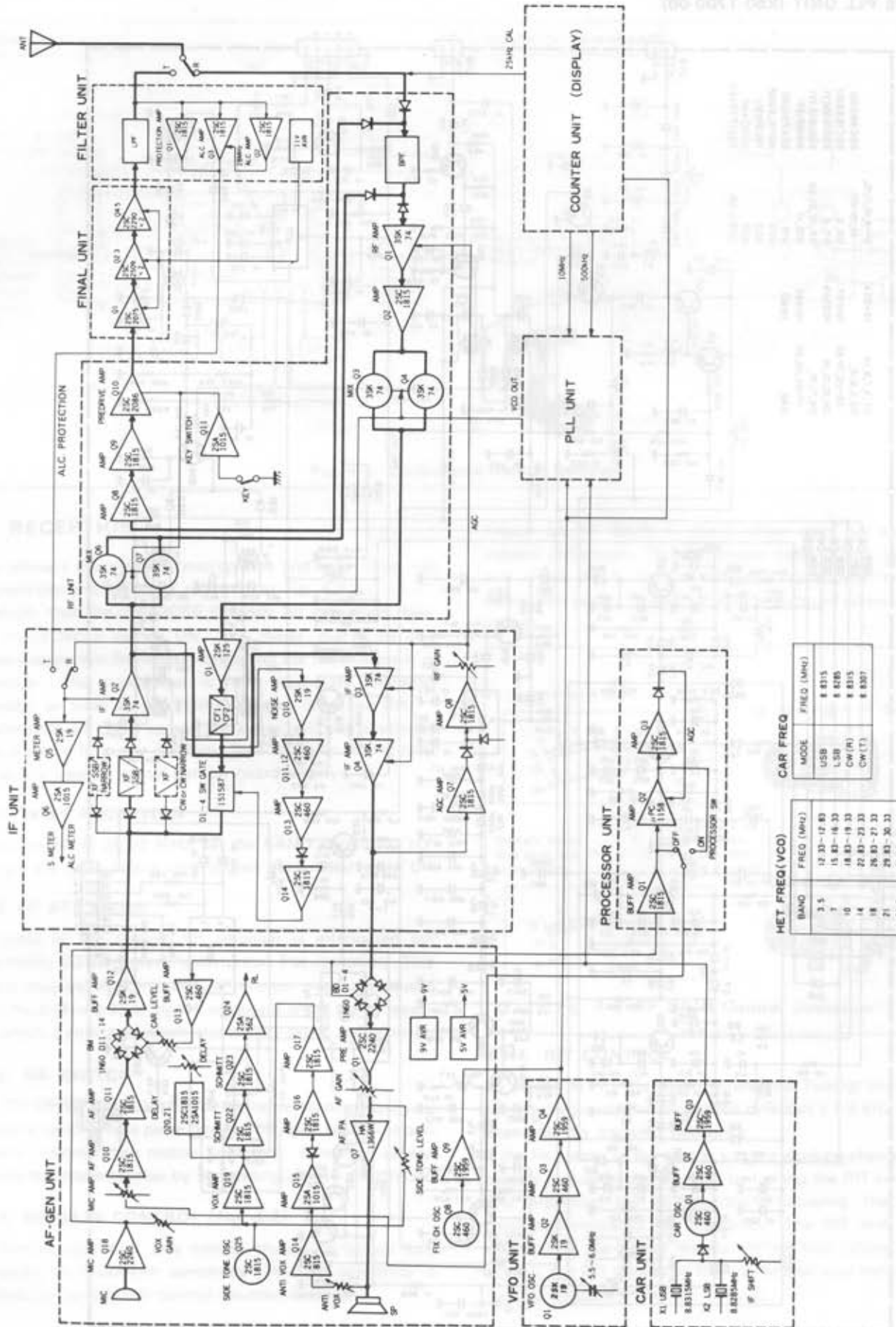
HS-4



INTERNAL VIEWS



BLOCK DIAGRAM



CAR FREQ

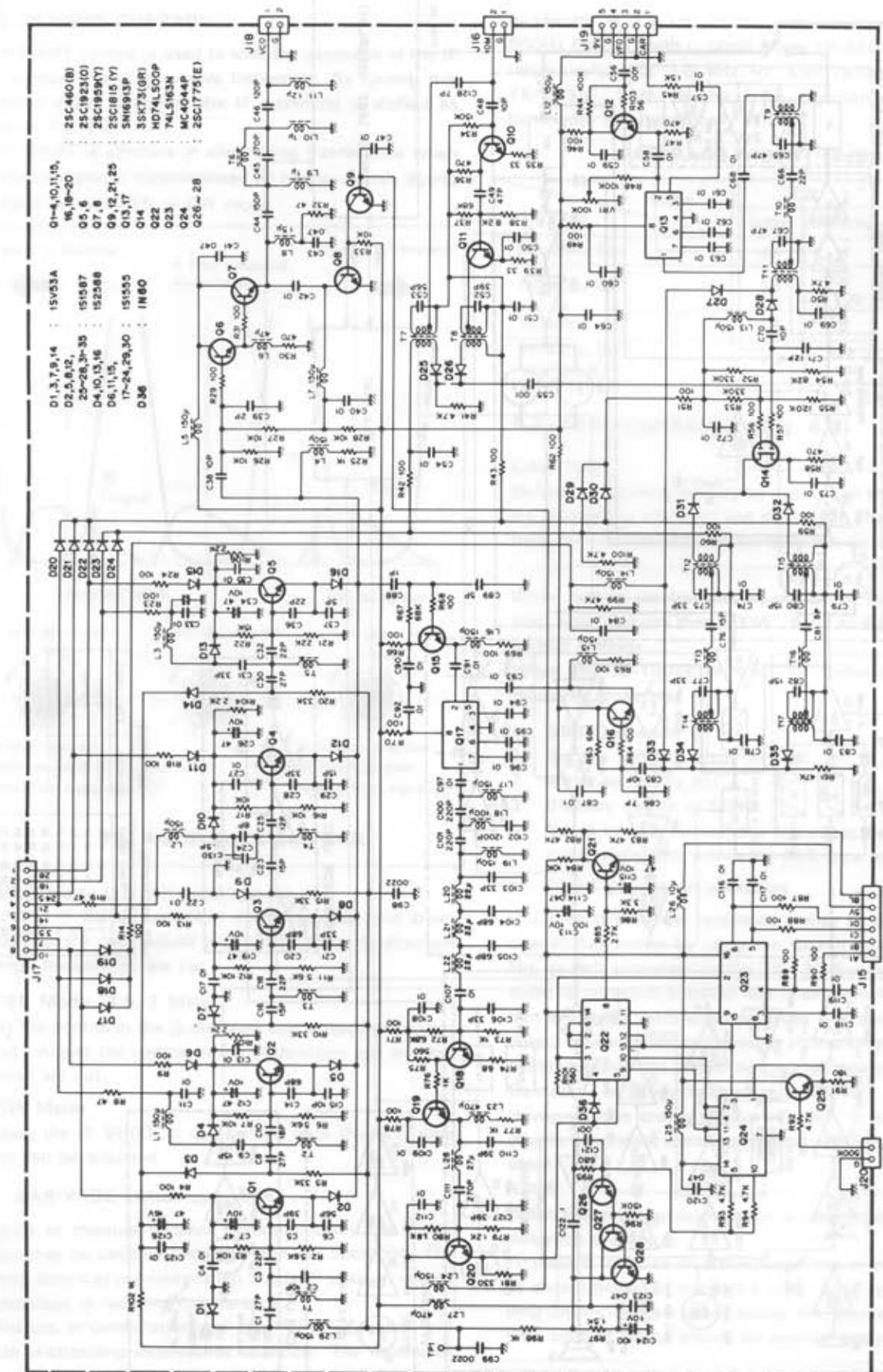
MODE	FREQ (MHz)
USB	8.8315
LSB	8.8385
CW(R)	8.8315
CW(L)	8.8385

HET FREQ(VCO)

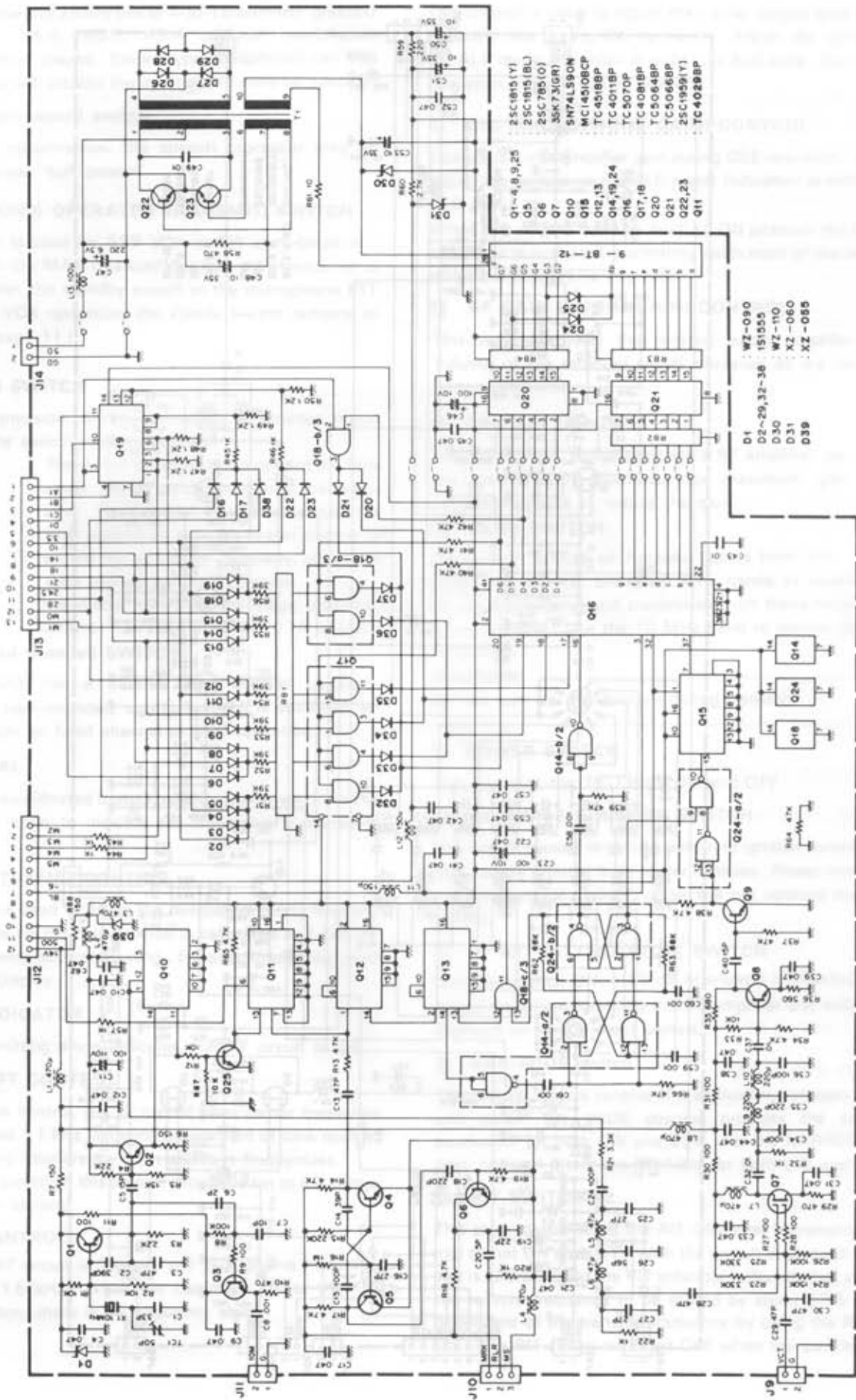
BAND	FREQ (MHz)
3.5	12.33-12.83
7	15.83-16.33
10	18.83-19.33
14	22.83-23.33
18	26.83-27.33
21	29.83-30.33
24.5	33.33-33.83
28	36.83-37.33
28.5	37.33-37.83
29	37.83-38.33
29.5	38.33-38.83

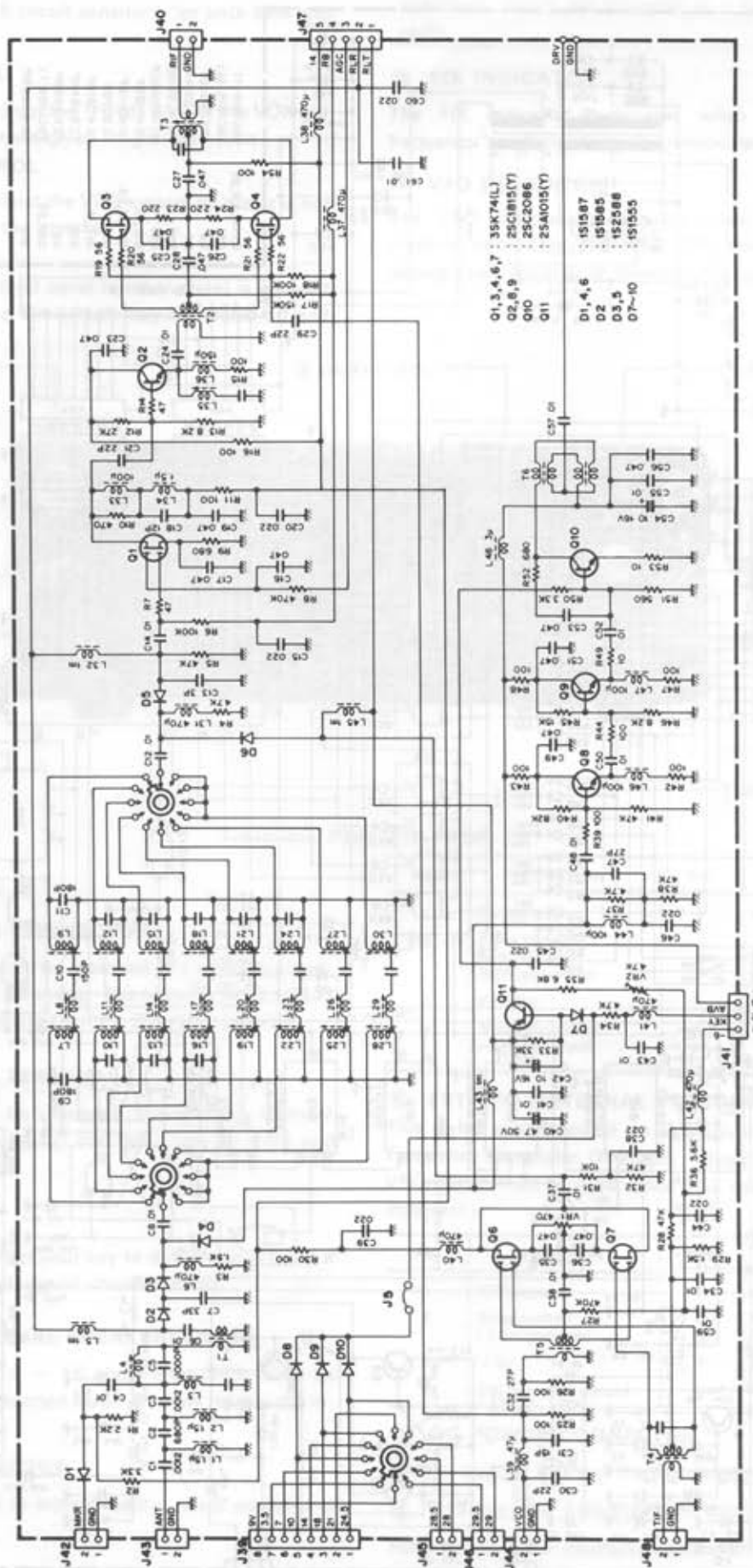
SCHEMATIC DIAGRAM

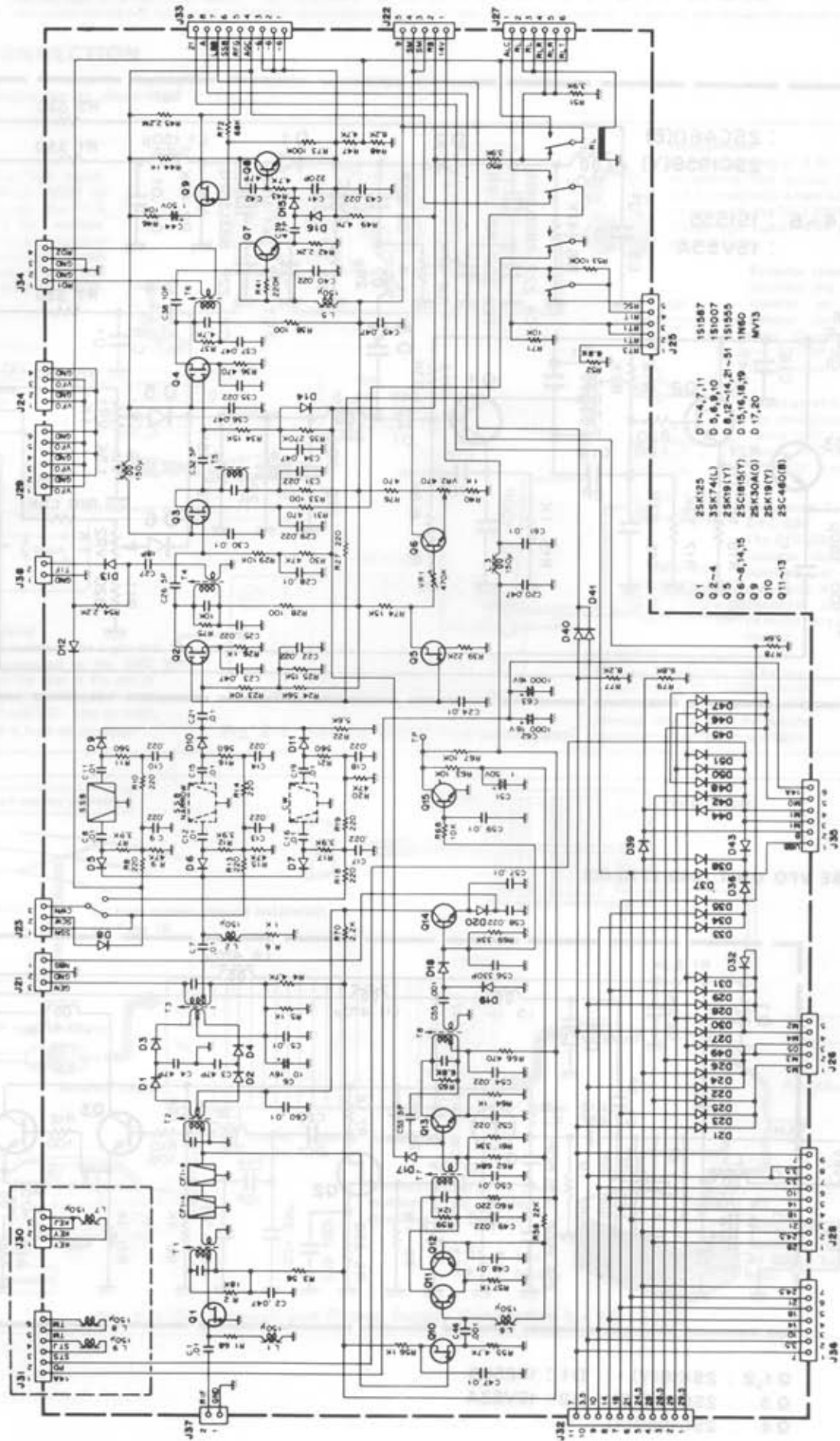
TS-130SE PLL UNIT (X50-1700-00)

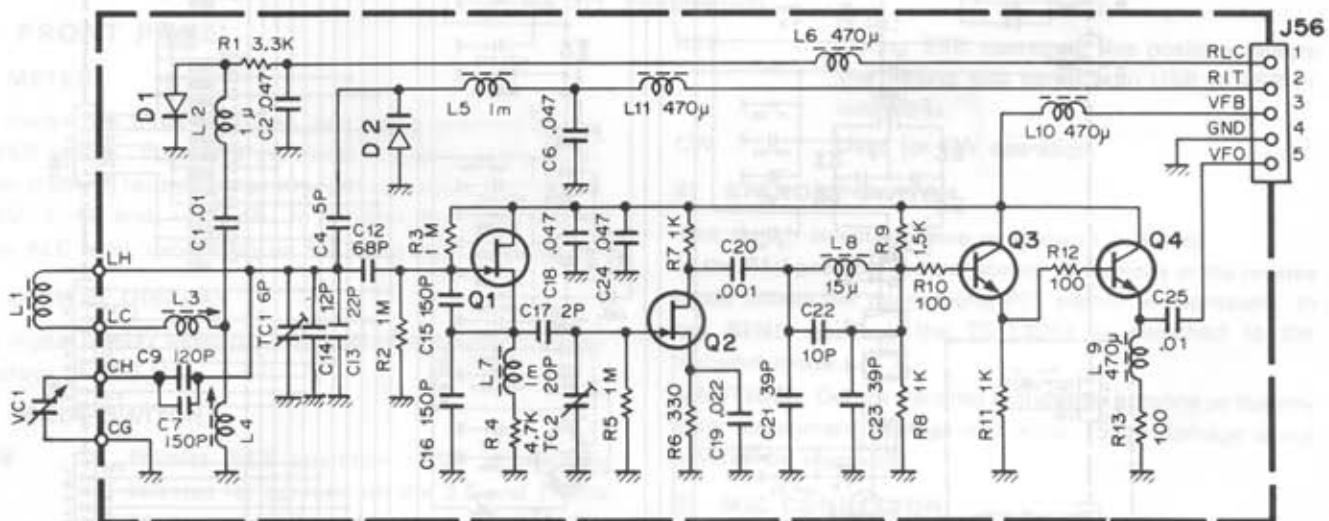
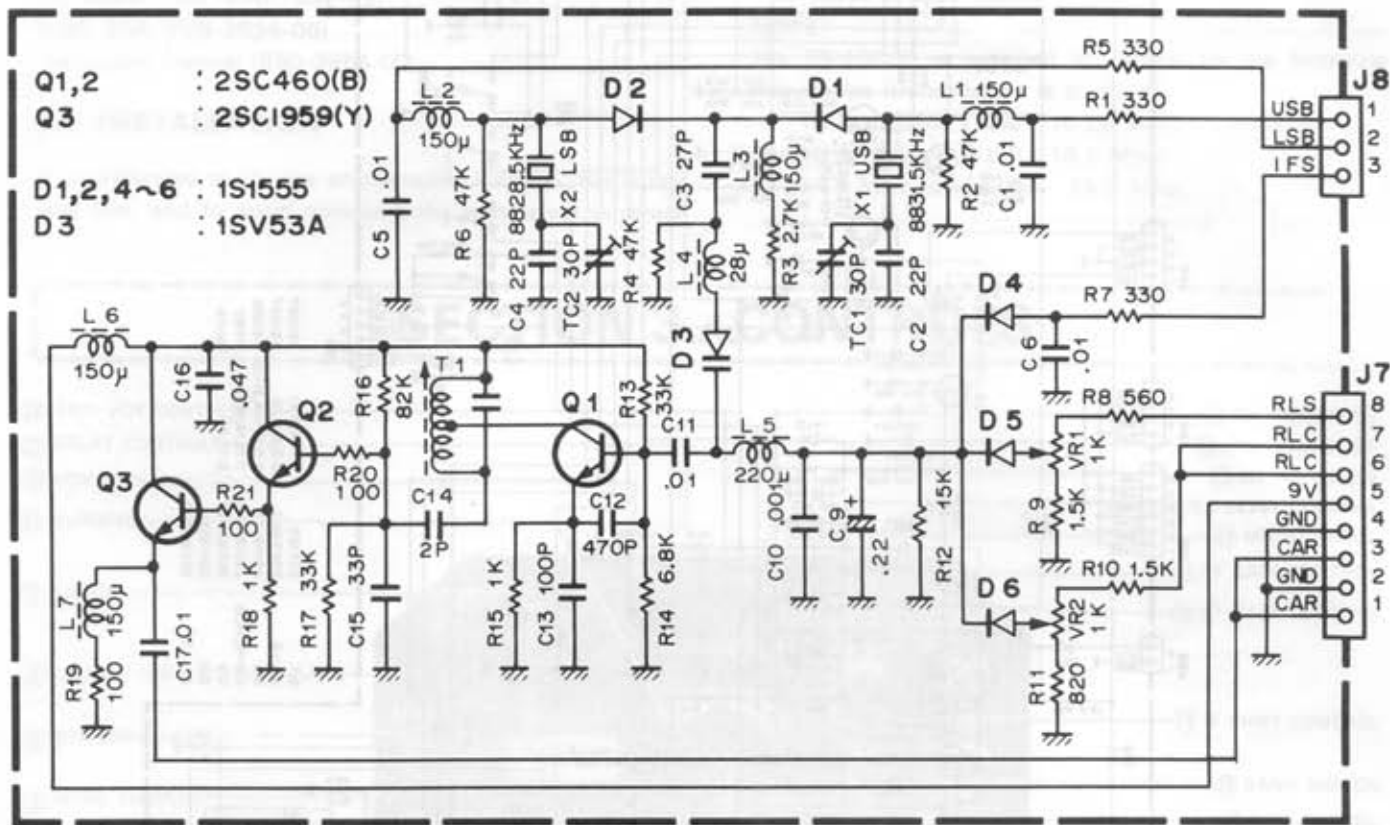


TS-130SE COUNTER UNIT (X54-1560-00)



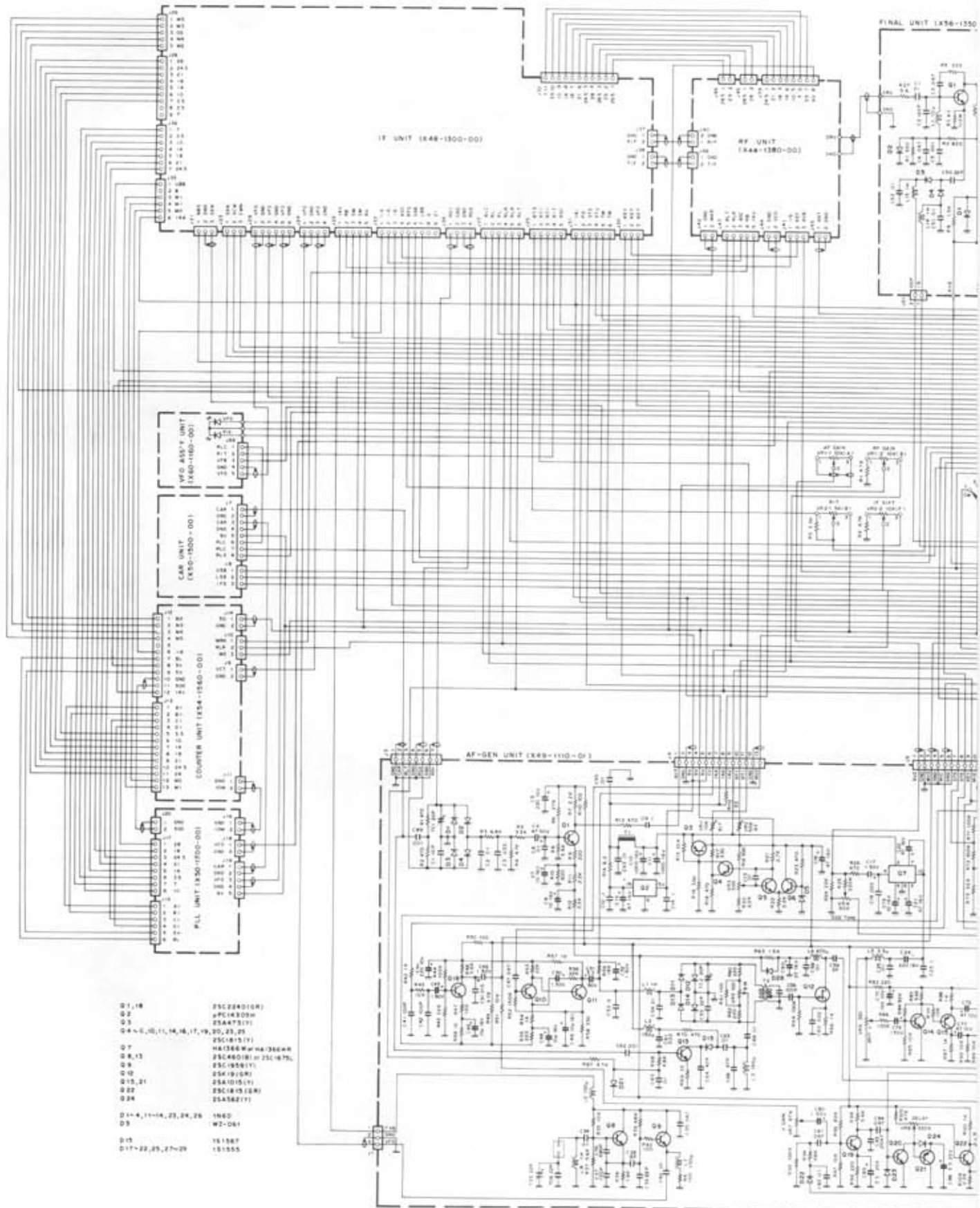






- Q1,2** : 2SK19(Y) **D1** : 1S2588
Q3 : 2SC460(B) **D2** : 1SV53A
Q4 : 2SC1959(Y)

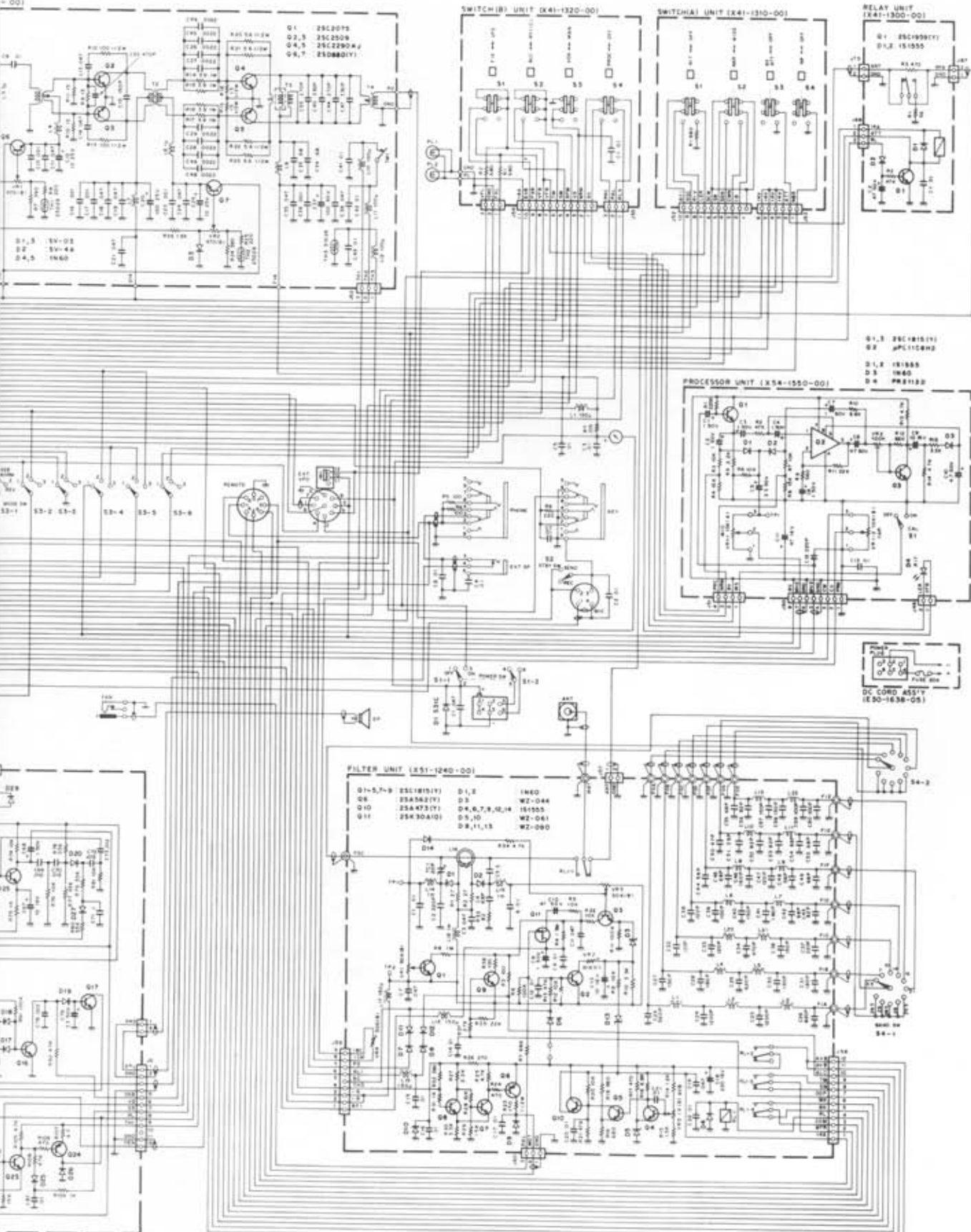
TS-130SE SCHEM



- | | |
|---------------------------------|--------------------|
| 01-14 | 25C240(1R) |
| 02 | #PC1A302R |
| 03 | 25A475(1Y) |
| 04-5,10,11,14,16,17,19,20,23,25 | 25C19(1Y) |
| 07 | NA1586 W/NA1364R |
| 08,13 | 25C460(1R) 25C167L |
| 09 | 25C1950(1Y) |
| 10 | 25K19(2R) |
| 11,21 | 25A10(1Y)(1Y) |
| 22 | 25C18(1S)(2R) |
| 24 | 25A582(1Y) |
| 21-4,11-14,23,24,26 | 1N62 |
| 03 | W2-061 |
| 015 | 151587 |
| 017-22,25,27-28 | 151555 |

ATIC DIAGRAM

- 001



TS-1305E (K,W,T)②

Model TS-130SE

Serial No. _____

Date of Purchase _____

Dealer _____

**Downloaded by
RadioAmateur.EU**

A product of
TRIO-KENWOOD CORPORATION
17-5, 2-chome, shibuya, shibuya-ku Tokyo 150, Japan

TRIO-KENWOOD COMMUNICATIONS
1111 West Walnut Street, Compton, California, 90220, U.S.A.
TRIO-KENWOOD COMMUNICATIONS, GmbH
D-6374 Steinbach TS, Industriestrasse 8A, West Germany
TRIO-KENWOOD ELECTRONICS, N.V.
Leuvensesteenweg 504, B-1930 Zaventem, Belgium
TRIO-KENWOOD (AUSTRALIA) PTY. LTD.
4E Woodcock Place, Lane Cove N.S.W. 2066, Australia