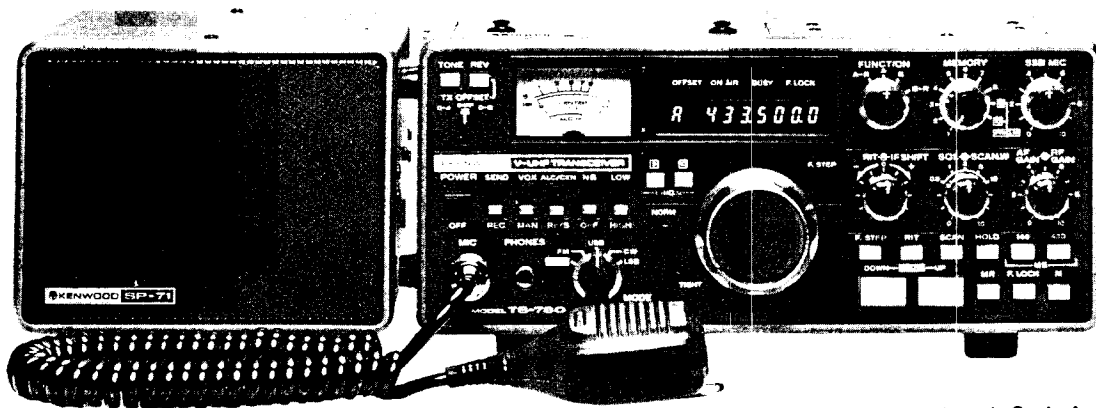




SERVICE MANUAL

TS-780 SP-71

V-UHF ALL MODE DUO BANDER



For Service Manuals Contact
MAURITRON TECHNICAL SERVICES
8 Cherry Tree Rd, Chinnor
Oxon OX9 4QY
Tel: 01844-351694 Fax: 01844-352554
Email: enquiries@mauritron.co.uk

CONTENTS

CIRCUIT DESCRIPTION	2	CW SHIFT (J25-3055-04)	27
OPTION (DC CABLE)	11	430 HET UNIT (X50-1790-00)	28
PARTS LIST	12	TX UNIT (X56-1420-00)	28
DISASSEMBLY	20	CONTROL UNIT (X53-1240-XX)	29
PACKING	22	LEVEL DIAGRAM	30
PC BOARD VIEWS		ADJUSTMENT	31
SWITCH UNIT (X41-1370-XX)	23	REFERENCE DATA	48
ENCODER UNIT (W02-0324-05)	23	BLOCK DIAGRAM	49
AVR UNIT (X43-1420-00)	24	SP-71	49
RF UNIT (X44-1470-00)	24	CIRCUIT DIAGRAM	
144 FINAL UNIT (X45-1200-00)	25	IF UNIT	50
430 FINAL UNIT (X45-1210-00)	25	SCHEMATIC DIAGRAM	51
CAR UNIT (X50-1780-00)	25	CIRCUIT DIAGRAM	
IF UNIT (X48-1350-XX)	26	CONTROL, PLL and ENCODER	52
PLL UNIT (X50-1770-00)	27	SPECIFICATIONS	BACK COVER

CIRCUIT DESCRIPTION

Item	Rating
Nominal center frequency (fo)	30.865 MHz
3 dB bandwidth	±7.5 kHz or more
18 dB attenuation bandwidth	±30 kHz or less
Ripple	0.8 dB or less
Loss	2 dB or less
Guaranteed attenuation	30 dB or more within ±1 MHz (Spurious response 18 dB or more)
Input and output impedance	1.2 kΩ ±10% // 2pF ±10%

Table 2 MCF (L71-0229-05) (RF unit XF1)

Item	Rating
Nominal center frequency (fo)	10.695 kHz
3 dB bandwidth	±7.5 kHz or more
18 dB attenuation bandwidth	±25 kHz or less
Ripple	0.5 dB or less
Loss	2.0 dB or less
Guaranteed attenuation	30 dB or more within ±1 MHz (Spurious response 18 dB or more)
Input and output impedance	3.0 kΩ // 2pF

Table 3 MCF (L71-0230-05) (IF unit XF1)

Item	Rating
Center frequency (fo)	10.695 MHz
Center frequency deviation	Within ±200 Hz at 6 dB
Pass bandwidth	Width 2.2 kHz or more at 6 dB
Attenuation bandwidth	±1.5 kHz or less at 20 dB 2.4 kHz or less at 60 dB
Ripple	2 dB or less
Loss	5 dB or less
Guaranteed attenuation	60 dB or more within ±40 kHz
Input and output impedance	600Ω ±10% // 15pF ±10%

Table 4 MCF (L71-0215-05) (IF unit XF2)

Item	Rating
Nominal center frequency	455 kHz
6 dB bandwidth	±7.5 kHz or more
50 dB bandwidth	±15 kHz or less
Ripple (within 455 ±5 kHz)	3 dB or less
Loss	6 dB or less
Guaranteed attenuation (within 455 ±100 kHz)	35 dB or more
Input and output impedance	1.5 kΩ

Table 5 Ceramic filter (L72-0316-05) CFW455E (IF unit CF)

Item	Rating
Center frequency and deviation	Within 455 kHz ±1.0 kHz
Peak separation (P1-P2)	20 kHz or more
Voltage sensitivity	13 mV/kHz or more

Table 6 Ceramic disc (L79-0464-05) CFA455S (IF unit L21)

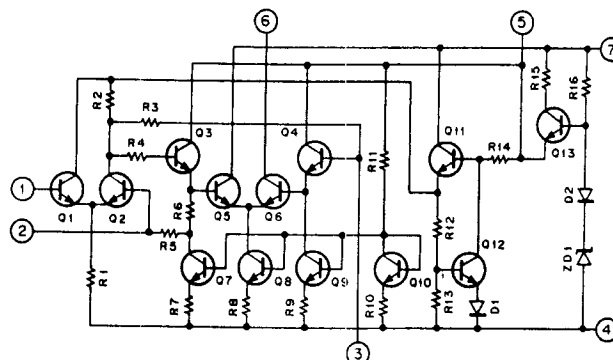


Fig. 2 TA7302P Equivalent circuit (IF unit Q20) (PLL unit Q8, 10)

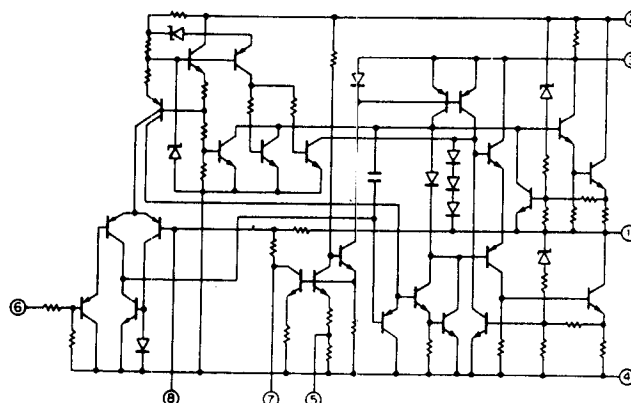


Fig. 3 MB3713 Equivalent circuit (IF unit Q35)

For Service Manuals Contact
MAURITRON TECHNICAL SERVICES
 8 Cherry Tree Rd, Chinnor
 Oxon OX9 4QY
 Tel: 01844-351694 Fax: 01844-352554
 Email: enquiries@mauritron.co.uk

Transmitter section

The audio signal from the microphone is amplified by the microphone amplifier in the IF unit consisting of Q36 and Q38 (2SC2240 (GR)s). The amplified audio signal is then applied to both the SSB and FM MIC gain controls.

In the SSB mode, the audio signal from SSB MIC gain control VR1 is amplified by microphone amplifiers Q39 through Q41 (2SC1815 (Y)s) in the IF unit, and is then applied to the balanced modulator (BM) along with the carrier (10.695 MHz).

CIRCUIT DESCRIPTION

The DSB signal output from BM is buffered by Q42 (3SK73 (GR)), then filtered by the crystal filter (XF2) so that the SSB signal is obtained. The SSB signal is applied to the balanced mixer consisting of Q51 and Q52 (2SK125s) through buffer amplifier Q43 (2SK61). The balanced mixer converts the frequency of the SSB signal from 10.695 MHz to 30.865 MHz. The 30.865 MHz SSB signal is applied to the 2-stage BPF, where spurious signals are eliminated, then is applied to the TX unit as the transmission IF signal.

In the FM mode, the audio signal from FM MIC gain control VR4 in the AVR unit (X43-1420-00) is amplified by Q45 (TA7061P) and Q48 (2SC1815 (Y)) in the IF unit. The audio signal is then applied to D46 (1SV50S) to frequency modulate the 13.8533 MHz signal generated by Q49 (2SC460 (B)). The 13.8533 MHz FM signal is tripled to obtain the 41.56 MHz FM signal used as the local signal. The local signal is mixed with the carrier (the 10.695 MHz signal obtained by unbalancing BM) by Q51 and Q52, then is applied to the TX unit as the transmission IF signal in the same manner as the SSB signal.

In the TX unit, the 30.865 MHz transmission IF signal is amplified by Q1 (3SK73(GR)), then mixed with the VCO signal by the balanced mixer consisting of Q2 and Q3 (3SK74 (M)s) [mixed with the 430 HET signal by the double balanced mixer (D15 : ND487C1-3R)] to obtain the 144 MHz [430 MHz] signal.

The 144 MHz signal is filtered by the BPFs and amplified by Q4 (2SK125), Q5 (2SC2026) and Q6 (2SC2538-22-A) to drive the 144 MHz final unit. [The 430 MHz signal is filtered by 2-pole helical resonators and amplified by Q9 (2SC2549), Q10 (3SK92), Q11 (2SC2026) and Q12 (2SC2762) to drive the 430 MHz final unit.]

In the 144 MHz final unit (X45-1200-00) [the 430 MHz final unit (X45-1210-00)], the signal is amplified by power module M57713 (final ASS'Y Q1) [M57716 (Q7)], then fed to the 144 MHz [430 MHz] antenna through the LPF. The ALC circuit picks up the signal from terminal 14D [43D] on the TX unit and amplifies it with Q7 (2SC1815 (Y)). This signal is applied to the 2nd gate of Q1 and the 2nd gate of Q42 (in the IF unit), and is also used to drive the meter for ALC indication. The ALC circuit system can be externally controlled.

Protection is provided by decreasing the source voltage of Q1 in the TX unit and the DB voltage supplied to the final units. HI/LOW power switching in the FM mode is also obtained in the same manner.

In the CW mode, keying is performed by switching the bias line to straight amplifier Q5 [Q11] in the TX unit with Q8 (2SA1015 (Y)).

Item	Symbol	Tc (°C)	Rating
Operating voltage	Vcc	25	17V
DC current	Icc	25	6A
Operating case temperature	Tc (op)	—	-30 ~ +110°C
Storage temperature	Tstg	—	-40 ~ +110°C
Base bias voltage	Vbb	25	10V

Table 7 Power module M57713 MAX. Rating (144 Final unit Q1)

Item	Symbol	Tc (°C)	Condition	Rating		
				MIN	TYP	MAX
Output power	Po	25	Vcc1=Vcc2=12.5V, Vbb=9V, Zc=ZL	17W	19W	
Total efficiency	ηT	25	f=144~148 MHz, Pin=0.2W=50Ω	40%	45%	
Power gain linearity	Gp	25	Vcc1=Vcc2=12.5V, Vbb=9V, Zc=ZL, f=144~148 MHz, Pin=10 dBm=50Ω	21dB	23dB	26dB

Table 8 Power module M57713 Electrical characteristic

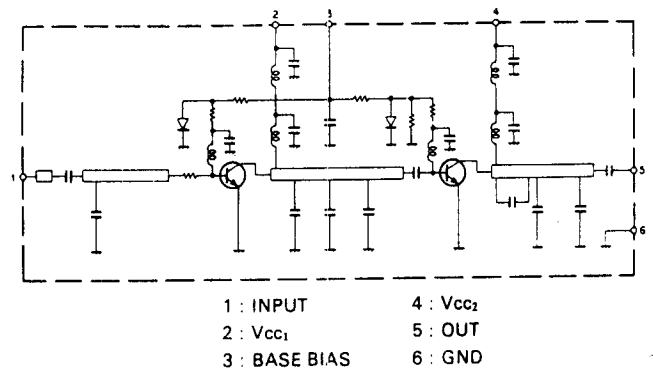


Fig. 4 Power module M57713 Equivalent circuit

Item	Symbol	Tc (°C)	Rating
Operating voltage	Vcc	25	17V
Base bias voltage	Vbb	25	10V
DC current	Icc	25	6A
Operating case temperature	Tc (op)	—	-30 ~ +110°C
Storage temperature	Tstg	—	-40 ~ +110°C

Table 9 Power module M57716 MAX. Rating (430 Final unit Q7)

Item	Symbol	Tc (°C)	Condition	Rating	
				MIN	TYP
Output power	Po	25	Vcc1 = Vcc2 = 12.5V, Vbb = 9V	18.5W	19W
Total efficiency	ηT	25	f = 430~440 MHz, Pin = 0.2W	40%	42%
Power gain linearity	Gp	25	Vcc1 = Vcc2 = 12.5V, Vbb = 9V, f = 430~440 MHz, Pin = 10 dBm	21 dB	

Table 10 Power module M57716 Electrical characteristic

CIRCUIT DESCRIPTION

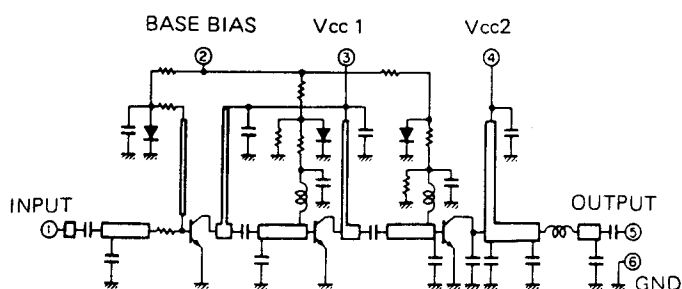


Fig. 5 Power module M57716 Equivalent circuit

This is then amplified by the circuit consisting of two helical resonators, Q1, Q2 (2SC2549s) and Q3 (2SK125) and used as the 1st local signal for 430 MHz operation. The 2nd local signal is generated in the IF unit : Q49 (2SC460 (B)) generates a 13.8533MHz signal and Q50 (2SC1923 (O)) triples it. The 2nd local signal is frequency modulated in the FM mode, shifted by 800 Hz in the CW mode, and subject to RIT control in the SSB and CW modes by means of D46 (1SV50S).

The 10.24 MHz reference signal generated in the PLL unit is used as the 3rd local signal.

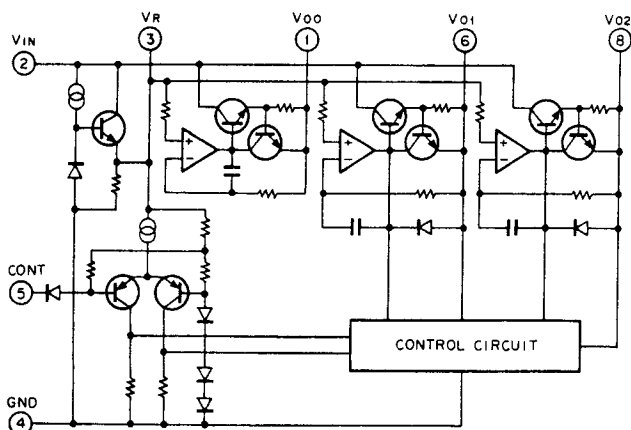


Fig. 6 MB3756 Equivalent circuit (AVR unit IC2)

PLL Circuit

A block diagram of the PLL unit is shown in Fig. 7. This is a double loop PLL circuit consisting of A and B loops.

• Loop B circuit

The phase locked loop formed of IC7, IC8, IC12, Q21 and Q22 is called loop B. The VCO frequency is mixed with a 32.431 MHz signal to obtain a 12.7–14.698 MHz signal. This signal is divided by 100 so that a 127–146.98 kHz signal is obtained. The result is varied in 20 Hz steps because the VCO frequency is varied in 2 kHz steps.

• Loop A circuit

The phase locked loop formed of IC1, IC9, IC10, Q2, Q6 and Q7 is called loop A. The VCO generates a signal whose frequency is varied in 20 kHz steps over a bandwidth of about 5 MHz.

• Reference signal generator

Q16 generates the reference signal, which is applied to both loops A and B via buffer amplifiers. The reference signal is also used as the 3rd local signal for the receiver section.

• Local signal generator

The carrier frequency, which differs according to mode, is converted to 10.055 MHz \pm 2.5 kHz. Up-conversion method is used for FM reception because the carrier frequency cannot be set to 10.695 MHz (the 2nd IF frequency). The 10.055 MHz signal is then mixed with the loop B output signal. The signal output by the mixer is filtered by the 10.192 MHz narrow band filter, then mixed with the signal from Q13 by the mixer consisting of Q3 and Q4. The output of the last mixer is fed to the loop A mixer (IC1) as the local signal.

• Unlock protection

The unlock signal from the loop A PLL IC (IC9) is applied to Q10 and Q11 to generate ULB and UL signals for preventing unwanted transmission.

HET Circuit

The VCO signal is used as the 1st local signal for 144 MHz operation. On the other hand, the 430 HET unit (X50-1790-00) is used for 430 MHz operation to generate the 1st local signal. In the 430 HET unit, Q4 (2SC460 (B)) generates 40.85714 MHz for the low band segment and 41.57143 MHz for the high band segment. Q5 (2SC2026) multiplies this to 286 MHz or 291 MHz. This 286 MHz or 291 MHz signal is amplified by the circuit consisting of two BPFs, Q6 (3SK92) and Q7 (2SK125), then mixed with the VCO signal by DBM (D1 : ND487C1-3R) to generate a 399.135 MHz–409.13498 MHz signal.

CIRCUIT DESCRIPTION

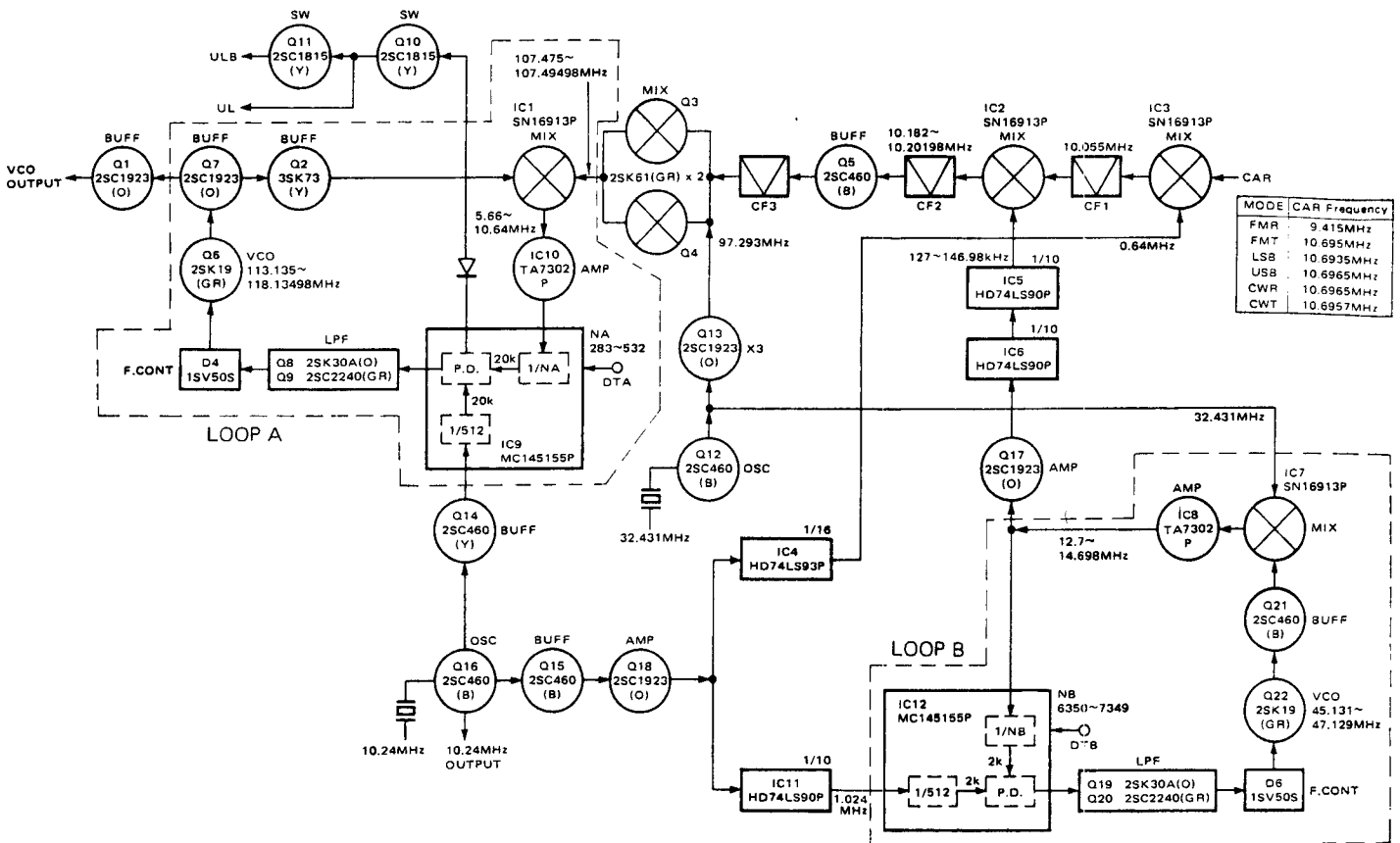


Fig. 7 PLL unit block diagram

Item	Rating
Center frequency (fo)	Within 10.055 MHz ± 60 kHz
3 dB attenuation bandwidth	Within 280 ± 50 kHz
20 dB attenuation bandwidth	650 kHz or less
Loss	6 dB or less
Spurious response (fo ± 1.5 MHz)	30 dB or more
Input and output impedance	330 Ω

Table 11 Ceramic filter (L72-0326-05) (PLL unit CF1)

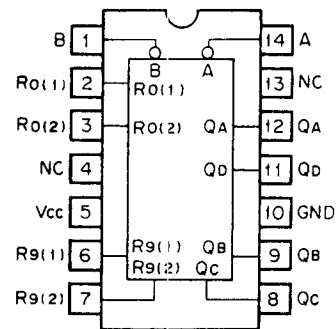


Fig. 8 HD74LS90P (PLL unit IC5, 6, 11)

Item	Rating
Nominal center frequency (fo)	10.192 MHz
3 dB bandwidth	± 5 kHz or more (total width 30 kHz or more)
20 dB bandwidth	140 kHz or less
Loss	7.0 dB or less
Ripple (3 dB bandwidth)	2 dB or less
Spurious response (fo ± 1.5 MHz)	15 dB or more
Input and output impedance	330 Ω
Voltage capacity	DC 50V 1 minute

Table 12 Ceramic filter (L72-0327-05) (PLL unit CF2, 3)

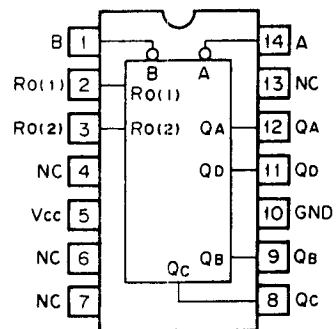


Fig. 9 HD74LS93P (PLL unit IC4)

CIRCUIT DESCRIPTION

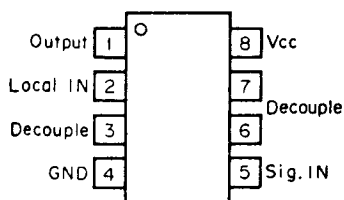


Fig. 10 SN16913P (PLL unit IC1-3, 7)

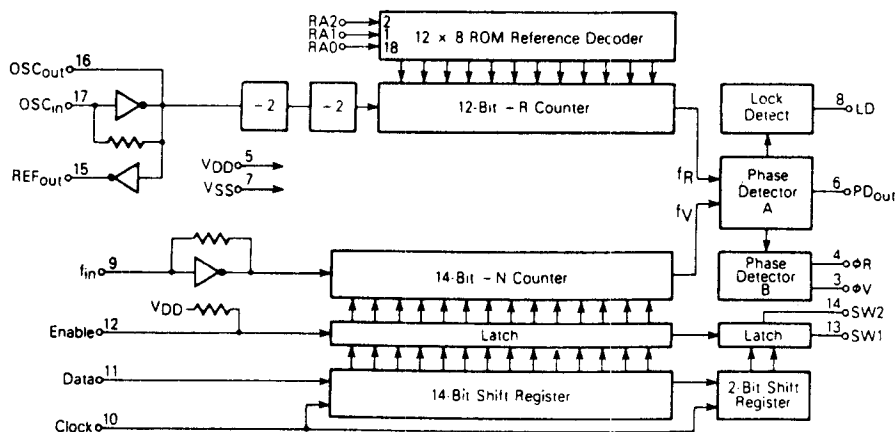


Fig. 11 MC145155P (PLL unit IC9, 12)

For Service Manuals Contact
MAURITRON TECHNICAL SERVICES
 8 Cherry Tree Rd, Chinnor
 Oxon OX9 4QY
 Tel: 01844-351694 Fax: 01844-352554
 Email: enquiries@mauritron.co.uk

Control Circuit

The microcomputer used in the control unit consists of 3 IC's, a CPU (IC3 : μ PD8035LC), ROM (IC4 : μ PD2332C-384) and RAM (IC5 : μ PD5101LC).

● Fundamental operation

CPU clock signal ALE is generated by dividing the 5.745 MHz signal produced by ceramic resonator X1 by 15 in CPU. The control program is stored in ROM and read out through the bus (DB0-DB7) in the following manner : CPU outputs an address to the bus, then the address data is latched by the address latch (IC13 and IC14) at the timing of ALE. The latched address is given to ROM. ROM outputs program data to the bus according to the given address when the CPU outputs $\overline{\text{PSEN}}$. CPU reads this program data and executes it.

The above procedures are repeated as necessary.

For example, the following procedures are used when RAM is accessed. CPU outputs the RAM address to the bus and the address is latched at the timing of ALE.

The latched address is given to RAM when RAM is enabled by the most significant bit (that is, when $\overline{\text{CE1}}$ is logical "1").

When data (a VFO frequency or memory channel) is written in RAM, CPU outputs the data to the bus and sets $\overline{\text{WR}}$ to logical "1". When data is read from RAM, CPU sets $\overline{\text{RD}}$ to logical "1" and reads the data on the bus. $\overline{\text{WR}}$ and $\overline{\text{RD}}$ are applied to the R/W and OD terminals of RAM, respectively.

● Reset

When the line voltage reaches about 3.8 V after the power is turned ON, current flows through D1 (MA522 (R)) to turn Q1 ON. The level at pin 4 ($\overline{\text{RESET}}$) is then set to "L" and CPU is reset. As the line voltage rises further, the level at pin 4 of CPU returns to "H". CPU is reset whenever the power is switched ON or OFF, regardless of whether a backup battery is installed.

When the CPU is reset, program execution starts at program address 0 ; that is the CPU checks for the backup battery and, if it is not installed, the CPU initializes the frequency and resets the memory channels.

● Backup

During backup operation, power is supplied to RAM only. The reset signal is applied to CE2 (pin 17 of IC5) so that data to be backed up is protected when the main power is switched ON or OFF.

● Display

The 8-digit display indicates the function selected (A, B and CH No.) and the frequency in units of 100 Hz. The display is driven dynamically. The digit data is latched by the display digit latch (IC8 and IC9) for application to the display. CPU outputs 90 (HEX) to the bus before it outputs the digit data to the latch. 90 (HEX) is latched by the address latch (IC13 and IC14) at the timing of ALE. The latched data is applied to the address 90 detection gate (IC17A) to open it. Therefore, $\overline{\text{WR}}$ output from the CPU is applied to the EN terminal of the display digit latch through the address 90 detection gate. Thus, digit data output from the CPU is latched by the display digit latch.

The segment data is output from terminals P10 through P17 (pins 27 through 34) of the CPU and applied to the display.

● Display control signal generator

The signal generated by IC16 is differentiated, then shaped by IC15B. The shaped signal is applied to the $\overline{\text{INT}}$ terminal of the CPU. CPU operation is interrupted when the level at the $\overline{\text{INT}}$ terminal becomes "L" to output display data for one digit. After the display data is output, CPU continues the execution interrupted.

CIRCUIT DESCRIPTION

• PLL data

16-bit PLL serial data for loops A and B is output simultaneously from terminals DTA and DTB. A clock pulse is output for each bit, and EN is output to the PLL unit after all bits have been output.

The CPU outputs (HEX) A0 to the bus, then this data is latched by the address latch (IC13 and IC14) at the timing of ALE.

The latched data is then applied to the address A0 detection gate (IC17B), whereupon the CPU outputs \overline{WR} . At the same time, the CPU outputs the PLL data for loop A to DB3 and that for loop B to DB7.

Both loop A data and loop B data are output to the PLL unit through the gates (IC18C and IC18D) which are opened by the address A0 detection gate. \overline{WR} is also used as the clock signal (CLK) for the programmable counters in the PLL unit. EN is output from pin 38 of the CPU.

PLL data is the same whether the frequency is 144.0000, 430.0000 or 435.0000. Data for loop A is 283 (decimal) and that for loop B is 6350 (decimal). The value for loop A (or B) increases by one as the frequency is increased by 20 kHz (or 20 Hz). The PLL data is output once when the frequency is changed.

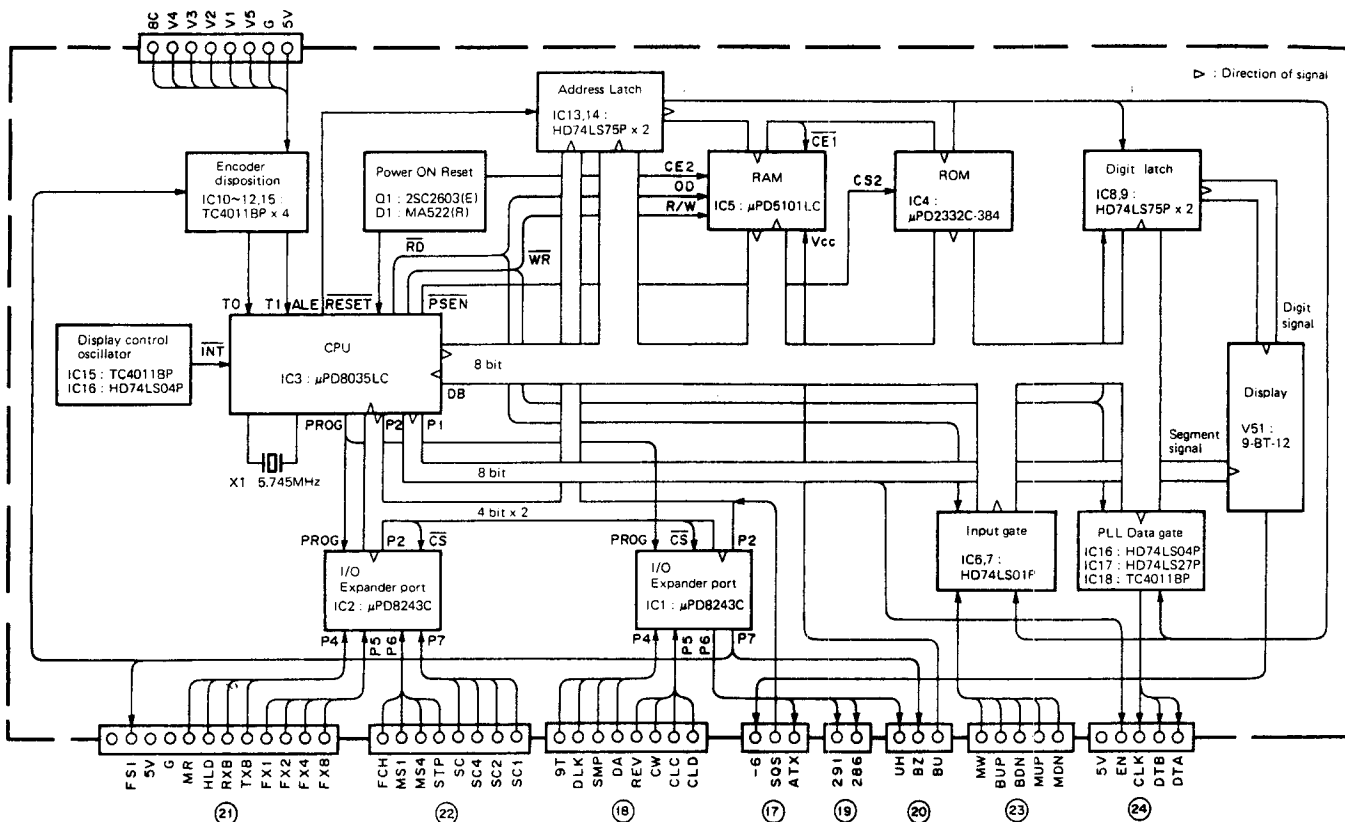


Fig. 12 Control unit block diagram

MEMORY CH

Connector Pin Name	IC Pin No.	I/O	1	2	3	4	5	6	7	8	9	10
21-FX1	IC2-1	Input	L	H	L	H	L	H	L	H	L	H
FX2	IC2-23	Input	L	L	H	H	L	L	H	H	L	L
FX4	IC2-22	Input	L	L	L	L	H	H	H	H	L	L
FX8	IC2-21	Input	L	L	L	L	L	L	L	L	H	H

FUNCTION

Connector Pin Name	IC Pin No.	I/O	A-R	A	B	B-R
21-RXB	IC2-4	Input	L	L	H	H
21-TXB	IC2-5	Input	H	L	H	L

SCAN

Connector Pin Name	IC Pin No.	I/O	0.5	1	3	5	10
22-SC1	IC2-13	Input	L	H	H	H	L
SC2	IC2-14	Input	L	L	H	L	H
SC3	IC2-15	Input	L	L	L	H	H

Table 13 Functions of terminals

CIRCUIT DESCRIPTION

Connector Pin Name	IC Pin No.	Input	Output	Description
18-9T	IC1-4	○		"H" during TX : otherwise "L".
DLK	IC1-1	○		"H" when F.LOCK is ON : otherwise "L".
SMP	IC1-2	○		"L" when TX OFFSET SW is set to SIMP : otherwise "H".
DA	IC1-3	○		"H" when TX OFFSET SW is set to "--" : otherwise "L".
REV	IC1-5	○		"H" when REV SW is set to ON : otherwise "L".
CL1	IC1-22	○		"H" when PRIO.M 9 SW is set to ON : otherwise "L".
CL4	IC1-21	○		"H" when PRIO.M 10 SW is set to ON : otherwise "L".
19-291	IC1-19		○	"L" when 435-439 band segment is selected : otherwise "H".
286	IC1-18		○	"L" when 430-434 band segment is selected : otherwise "H".
17 ATX	IC1-17		○	Normally "L".
20 UH	IC1-20		○	"L" when the 2 m band is selected : otherwise "H".
BZ	IC1-16		○	"H" when buzzer is rung : otherwise "L".
21 FSI	IC1-14		○	"L" when F.STEP indicator lights : otherwise "H".
MR	IC2-2	○		"H" when MR is ON : otherwise "L".
MLD	IC2-3	○		"H" when HOLD is ON : otherwise "L".
STP	IC2-17	○		"H" when F.STEP SW is ON : otherwise "L".
SC	IC2-16	○		"H" when SCAN SW is ON : otherwise "L".

Table 14 Functions of terminals

Terminal Name	Function
PROG	Clock input terminal. Clock signals for data or commands are input to this terminal.
\overline{CS}	The PROG terminal is enabled so that data can be transferred between the CPU and this IC and so that commands can be input to this IC from the CPU.
PORT2	Data and commands from the CPU and data to the CPU are transferred through this port.
PORT4 ? PORT7	Data is transferred between this IC and external circuits through these ports. Ports are selected by port address data (commands) and I/O operations are selected by control commands.

Table 15 Functions of μ PD8243C (CONT. unit IC1, 2)

Symbol	Name	Description
A0~A7	ADDRESS	Address input terminals.
DI1~DI4	DATA INPUT	Write data input terminals.
R/W	READ/WRITE	Reads are performed when the level applied to this terminal is "H", otherwise, writes are performed.
CE1	CHIP ENABLE1	The chip is enabled when the level applied to this terminal is "L" while the level at CE2 is "H".
CE2	CHIP ENABLE2	The chip is enabled when the level applied to this terminal is "H" while the level at CE1 is "L".
OD	OUTPUT DISABLE	The output terminals are enabled when the level applied to this terminal is "L", otherwise they are disabled and their output impedance is set to high.
DO1~DO4	DATA OUTPUT	Read data output terminals.
Vcc	POWER (+5V)	Terminal connected to +5V power supply
GND	GROUND (0V)	Ground terminal.

Table 16 Functions of μ PD5101LC (CONT. unit IC5)

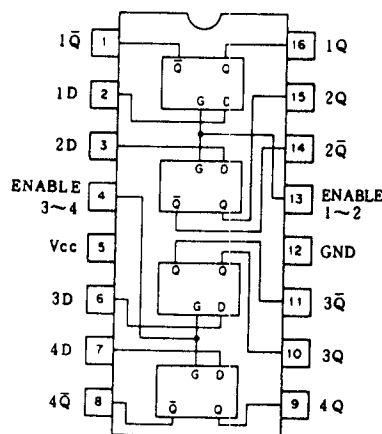


Fig. 13 HD74LS75P (CONT. unit IC8, 9, 13, 14)

Input		Output	
D	G	Q	\overline{Q}
L	H	L	H
H	H	H	L
X	L	Q ₀	$\overline{Q_0}$

- Notes) H : High level
 L : Low level
 X : Either level
 Q₀ : The state of Q immediately before the indicated input conditions are established.
 $\overline{Q_0}$: The complement of Q₀.

Table 17 HD74LS75P truth table

CIRCUIT DESCRIPTION

Encoder waveform shaping

Square waves with a duty ratio of 50% are applied to V1 through V4. The waves applied to V1 and V3 are 180 degrees out of phase with those applied to V2 and V4, respectively, and the wave applied to V1 leads that applied to V3 by 90 degrees. These waves are differentiated. The square

waves and the differentiated waves are subjected to logical operations to obtain the VFO pulse signals.

IC10 is the gate which closes during FM CH operations. IC15C and IC15D form an RS flip-flop used for determining the direction of rotation of the encoder.

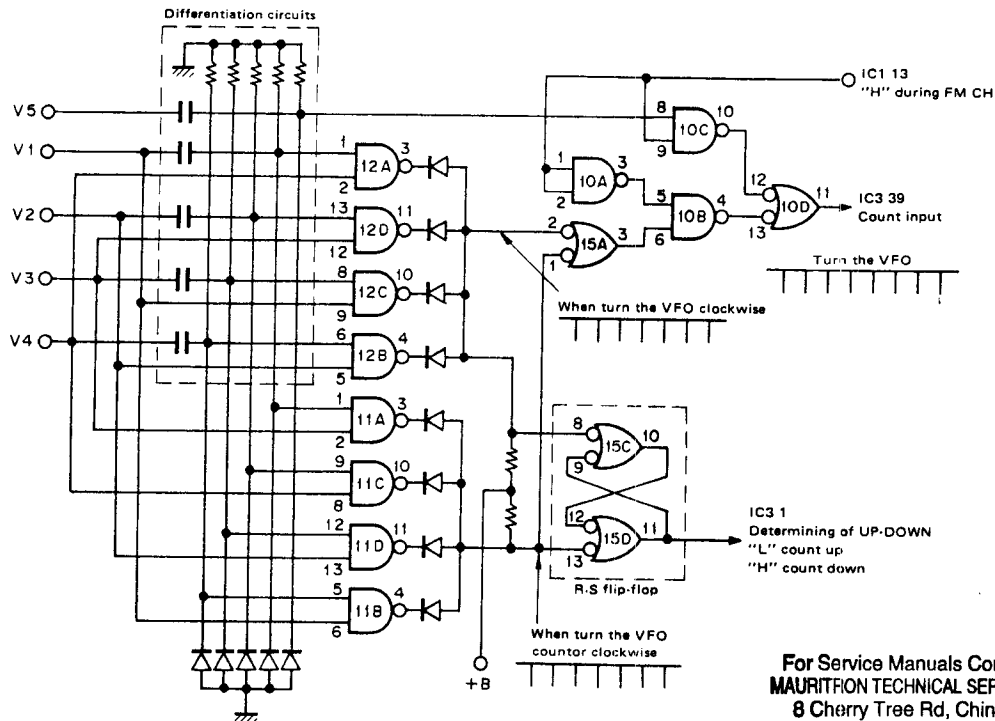


Fig. 14 Encoder waveform shaping

For Service Manuals Contact
MAURITRON TECHNICAL SERVICES
 8 Cherry Tree Rd, Chinnor
 Oxon OX9 4QY
 Tel: 01844-351694 Fax: 01844-352554
 Email: enquiries@mauritron.co.uk

UP and DOWN switch signal processing

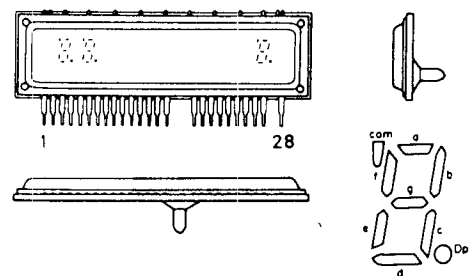
The microphone UP and DOWN switch signals and the BAND UP and DOWN switch signals are applied to gates IC6A, IC6D, IC7A and IC7D.

The CPU outputs A0 (HEX) to the bus at the prescribed timing; this address data is latched by the address latch (IC13 and IC14), then is applied to the address A0 detection gate (IC17C). This gate opens the gates in IC6 and IC7 when the CPU outputs \overline{RD} to allow the CPU to read the switch status.

I/O expansion ports

When an I/O operation is performed through the I/O expansion ports, the CPU outputs an "L" level signal from terminal P24 or P25 (pin 35 or 36) to select IC2 or IC1.

The I/O operation is performed in 4 bit units through ports 4 through 7 (of IC1 and IC2). Ports 6 and 7 of IC1 are used only for output, while ports 4 and 5 of both IC1 and 2 are used only for input. The CPU outputs PROG as the clock signal for the expansion ports.



PIN NO	1	2	3	4	5	6	7	8	9	10	11	12	13	14
CONNECTION	F	N _c	G _s	N _c	N _c	G _s	g	f	G ₇	e	d	G _s	N _c	N _c
	15	16	17	18	19	20	21	22	23	24	25	26	27	28
	G _s	N _p	N _p	G _s	D _p	G _s	c	b	G ₂	a	COM	G ₁	N _p	F

Fig. 15 Display tube 9-BT-12

CIRCUIT DESCRIPTION/OPTION (DC CABLE)

Pin No.	Symbol	In-put	Out-put	Description	Pulse signal	Pin No.	Symbol	In-put	Out-put	Description	Pulse signal
1	T0			"L" when the encoder is rotated UP and "H" when it is rotated DOWN.		19	DB7	○	○	MIC DOWN SW status Data bus	○
2	X1	○		System clock crystal.		20	Vss			Ground	
3	X2	○		System clock signal crystal : 5.745 MHz		21	P20	○	○	Data I/O port for IC1 and IC2	○
4	RESET	○		Normally "H"		22	P21	○	○		○
5	SS	○		Normally "H"	○	23	P22	○	○		○
6	INT	○		Interrupt input	○	24	P23	○	○		○
7	EA			Normally "H"		25	PROG		○	Timing pulse for data transfer between CPU and IC1 or IC2.	○
8	RD		○	Outputs the clock signal for reading data through the data bus.	○	26	VDD			5V	
9	PSEN		○	Outputs the clock signal for reading data from IC4 (ROM) at the timing of the ALE pulse.	○	27	P10	○	a	Display segment data output port	○
10	WR		○	Outputs the clock signal for writing data through the data bus.	○	28	P11	○	b		○
11	ALE			Address latch enabling signal : 1/15 of the system clock frequency.	○	29	P12	○	c		○
12	DB0	○	○	Data pulse	○	30	P13	○	d		○
13	DB1	○	○	Data pulse	○	31	P14	○	e		○
14	DB2	○	○	Data pulse	○	32	P15	○	f		○
15	DB3	○	○	Data for memory channel	○	33	P16	○	g		○
16	DB4	○	○	BAND UP SW status	○	34	P17	○	p		○
17	DB5	○	○	BAND DOWN SW status	○	35	P24	○	○	"L" when IC2 is enabled.	○
18	DB6	○	○	MIC UP SW status	○	36	P25	○	○	"L" when IC1 is enabled.	○
						37	P26	○		"H" when the squelch is open : otherwise "L".	
						38	P27	○		Outputs EN for PLL data. Normally "H".	
						39	T1	○		VFO pulse input	○
						40	Vcc			5V	

Table 18 Functions of μ PD8035LC

DC Operation

No DC power cable is provided with the TS-780. Purchase a DC power cable such as that shown in Fig. 15 for DC operation. Since this cable does not include a fuse, use a 7A fuse in the TS-780.

DC power cables and fuses are available at any Kenwood branch or service center. The part number of the DC power cable assembly is E30-1622-05.

For Service Manuals Contact
MAURITRON TECHNICAL SERVICES
 8 Cherry Tree Rd, Chinnor
 Oxon OX9 4QY
 Tel: 01844-351694 Fax: 01844-352554
 Email: enquiries@mauritron.co.uk

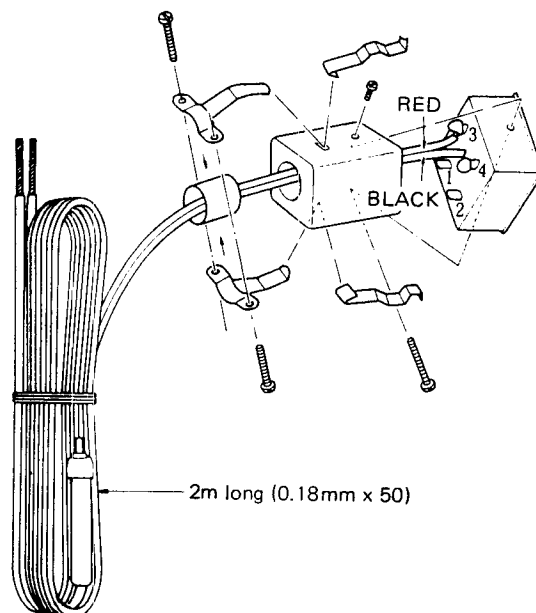


Fig. 16 DC cable

PARTS LIST

Note 1:

K: USA T: Britain W: Europe X: Australia

Note 2:

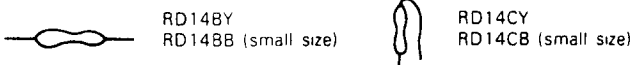
Only special type of resistors (example: cement, metal film, etc.) and capacitors (example: electrolytic, tantalum, mylar, temp. coeff. capacitors) are detailed in the PARTS LIST. For the value of all common type components, refer to the schematic diagram of the P.C. board illustration. Resistors not otherwise detailed are carbon type (1/4W or 1/8W). Order carbon resistors and capacitors according to the following example:

A carbon resistor's part number is RD14BY 2E222J.

A ceramic capacitor's number is CK45F1H103Z. CC45TH1H220J.

RESISTOR

1. Type of the carbon resistor



2. Wattage

1W → 3A 3W → 3F 5W → 3H
2W → 3D 4W → 3G

3' = CC45 ○ ○ ...

Ceramic capacitor (type I) temperature coeff. capacitor 1' 3'

1st word (Color)	C (Black)	L (Red)	P (Orange)	R (Yellow)	S (Green)	T (Blue)	U (Violet)
ppm/°C	0	-80	-150	-220	-330	-470	-750

3 = CK45 ○

Ceramic capacitor (type II) 3

Cord	B	D	E	F
Operating temperature °C	-30 +85	-30 +85	-30 +85	-10 +70

6 = Tolerance

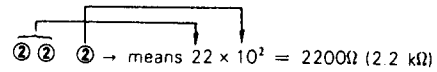
Cord	C	D	G	J	K	M	X	Z	P	No cord
(%)	±0.25	±0.5	±2	±5	±10	±20	+40 -20	+80 -20	+100 -0	More than 10 μF -10 ~ +50 Less than 4.7 μF -10 ~ +75

Less than 10 pF

Cord	B	C	D	F	G
(pF)	±0.1	±0.25	±0.5	±1	±2

Abbreviation		Abbreviation	
Cap.	Capacitor	ML	Mylar
C	Ceramic	S	Styren
E	Electrolytic	T	Tantalum
MC	Mica		

3. Resistance value



Example 221 → 220Ω 223 → 22 kΩ 225 → 2.2 MΩ
222 → 2.2 kΩ 224 → 220 kΩ

4. Tolerance

J = ±5% (Gold) K = ±10% (Silver)

CAPACITORS

Type I

Type II

CC	45	TH	1H	220	J	CK	45	F	1H	103	Z
1'	2	3'	4	5	6	1	2	3	4	5	6

1 = Type ... ceramic, electrolytic, etc. 4 = Voltage rating

2 = Shape ... round, square, etc. 5 = Value

3 = Temp range 6 = Tolerance

3' = Temp coefficient

Ex. CC45TH = -470 ±60 ppm/°C

2nd Word	G	H	J	K	L
ppm/°C	±30	±60	±120	±250	±500

5 = Capacitor value

Example: 010 → 1 pF

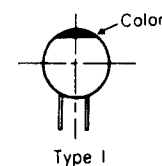
100 → 10 pF

101 → 100 pF

102 → 1000 pF = 0.001 μF

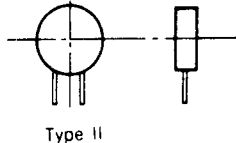
103 → 0.01 μF

CC45



Type I

CK45



Type II

☆: Please note that these parts are sometimes not in stock and it takes much time to deliver.

N : New parts

TS-780 SEMICONDUCTOR

Item	Name	Re- marks	Parts No.	Item	Name	Re- marks	Parts No.
Diode	1N60		V11-0051-05	Varistor	1S1212		V11-1262-06
	1N4448		V11-7766-06		VD1223		V11-1262-46
	1S1555		V11-0076-05	Zener diode	XZ-049		V11-4175-46
	1S1587		V11-0370-05		XZ-060		V11-4101-20
	1S2588		V11-0414-05		XZ-064		V11-4104-20
	1SS99		V11-1277-86		XZ-078		V11-4110-70
	BA243S		V11-7767-06		XZ-080		V11-4163-46
	ITT410		V11-7761-86		WZ-061		V11-0243-05
	MA522 (R)		V11-1173-56		WZ-071		V11-4160-86
	MI402		V11-5260-16	LED	SEL101R (B,C)		V11-5172-86
	ND487C1-3R		V11-1277-96		SG238D		V11-1278-16
	U05B	☆	V11-0270-05		SLP144B		V11-6172-56
					SR538D		V11-1278-06
Vari-cap	1SV50S		V11-1260-36	SR539D		V11-1278-36	
	1SV54GC		V11-4173-46				

PARTS LIST

Item	Name	Re- marks	Parts No.	Item	Name	Re- marks	Parts No.
Thermistor	D33A		V11-3161-86		TA7061AP		V30-0039-05
	112-102-2	N	V11-3361-16		TA7302P		V30-1134-06
Rectifier	M4C-6		V11-2163-66		TC4011BP		V30-0301-70
Display-tube	9-BT-12		V40-7760-86		μPC78M05H		V30-0680-10
TR	2SA496 (Y)		V01-0113-05		μPC78M08H		V30-1223-16
	2SA1012 (Y)		V01-1012-26		μPD2332C-384	N	V30-1177-66
	2SA1015 (Y)		V01-1015-06		μPD5101LC	N	V30-1177-36
	2SA1115 (E)		V01-1115-16		μPD8035LC	N	V30-1177-26
	2SC458 (B)		V03-0093-05		μPD8243C		V30-1177-16
	2SC460 (B)		V03-0079-05				
	2SC496 (Y)		V03-0336-05				
	2SC1815 (Y)		V03-1815-06				
	2SC1923 (O)		V03-1923-06				
	2SC1959 (Y)		V03-1959-06				
	2SC2026		V03-2026-06				
	2SC2240 (GR)		V03-2240-06				
	2SC2538-22-A		V03-2538-16				
	2SC2549		V03-2549-06				
	2SC2603 (E)		V03-2603-06				
	2SC2762		V03-2762-06				
	2SD588		V04-0077-05				
Photo TR	PH-101 (R)		V08-1009-16				
	PH-102 (L)		V08-1010-16				
FET	2SK19 (GR)		V09-0012-05				
	2SK19 (GR) TRIO-5		V09-1001-16				
	2SK19 (Y)		V09-0011-05				
	2SK30A (GR)		V09-0060-05				
	2SK30A (O)		V09-0056-05				
	2SK61 (GR)		V09-1014-06				
	2SK125		V09-0136-10				
	3SK48		V09-1003-16				
	3SK73 (GR)		V09-1002-46				
	3SK73 (Y)		V09-1002-76				
	3SK74 (L)		V09-1002-56				
	3SL74 (M)		V09-1013-06				
	3SK76		V09-1012-06				
	3SK76-O		V09-1012-16				
	3SK92		V09-1006-16				
Power module	M57713		V30-1131-06				
	M57716		V30-1235-16				
IC	HD74LS01P	N	V30-1009-36				
	HD74LS04P		V30-1007-56				
	HD74LS27P	N	V30-1009-46				
	HD74LS75P		V30-1008-96				
	HD74LS90P		V30-1083-06				
	HD74LS93P		V30-1082-06				
	LM358N		V30-1070-06				
	LM358P		V30-1024-56				
	MB3713		V30-1233-16				
	MB3756		V30-1030-96				
	MC14049UBCP		V30-1069-06				
	MC145155P	N	V30-1203-26				
	SN16913P		V30-1048-06				

Parts No.	Re- marks	Description	Ref. No.
TS-780 GENERAL			
A01-0908-01	N	Case (A) upper	
A01-0909-11	N	Case (B) lower	
A01-0910-04	N	Case (Cover)	
A21-0746-21	N	Ornamental panel	T
A21-0747-21	N	Ornamental panel	W
B01-0642-05		Panel escutcheon	
B05-0708-04		SP grill cloth	
B05-0721-04	N	Grill cloth (Buzzer)	
B10-0645-04	N	Front glass	
B11-0409-04	N ☆	Filter	
B30-0822-05	N	Pilot lamp 14V, 80mA	
B31-0633-05	N	Meter	
B40-2579-04	N ☆	Set name plate	T
B40-2604-04	N ☆	Set name plate	W
B42-1726-04	N	Battery seal	
B43-0663-04	N	Name plate	T
B43-0675-04	N	Name plate	W
B50-3956-00	N	Instruction manual	T
B50-3957-00	N	Instruction manual	W
CC45SL1H101J	C	100pF x 3	C9~11
CE04W1A470M	E	47 10V	C4
CK45B1H102K	C	0.001 x 4	C5~8
CK45F1H103K	C	0.01 x 3	C1, 3, 13
C90-0828-05	E	470 10V	C2
C90-0852-05	N	E 10000 25V	C12
D09-0301-14		Slit plate (A) Moving	
D09-0302-24		Slit plate (B) Fixed	
D12-0403-04	N	Cam	
D13-0403-24		Gear	
D40-0605-05		Detector mech. ass'y	
E06-0751-05		7P DIN socket	
E07-0751-05		7P DIN plug Accessory	
E07-0852-05		8P metal socket MIC	
E08-0409-05		4P square socket	
E11-0003-15		Phone jack SP	
E11-0005-15		Phone jack KEY	
E11-0412-05		3P phone jack	
E12-0001-05		Phone plug Accessory	
E23-0420-05		Lug x 2	
E30-1622-05		DC cable ass'y	
E31-0475-05		2P short connector	
E31-2102-05	N	Connector with lead B.U	
E31-2103-05	N	Cable with terminal (A) 1.5D RF	

For Service Manuals Contact
MAURITRON TECHNICAL SERVICES
 8 Cherry Tree Rd, Chinnor
 Oxon OX9 4QY
 Tel: 01844-351994 Fax: 01844-352554
 Email: enquiries@mauritron.co.uk

PARTS LIST

Parts No.	Re- marks	Description	Ref. No.	Parts No.	Re- marks	Description	Ref. No.
E31-2104-05	N	Cable with terminal (B) 1.5D TX		N09-0256-05		Gnd. screw	
F05-2023-05		Fuse 2A x 2 (AC)		N09-0635-05	N	Camera screw x 2 Front glass	
F05-7025-05		Fuse 7A x 2 (DC)		N14-0115-05		Flange nut GND	
F15-0165-14	☆	Switch mask (B) Lever knob		N14-0509-05		Wing nut GND	
F15-0636-04	N ☆	Switch mask (C) x 4 TONE, REV, PRIO		N15-1030-46		Flat washer	
F15-0640-04	N ☆	Switch mask (A) Tight knob		N15-1040-46		Flat washer x 2	
G02-0508-04		Plate spring		N30-2604-46		Round screw x 18	
G09-0403-04		Twisted spring		N30-2606-46		Round screw x 4	
G09-0410-05		Knob fixed spring x 3		N30-3004-41		Round screw x 8	
G10-0606-04		Cushion (A) x2 Case		N30-3004-46		Round screw x 24	
G10-0617-04	N	Cushion (B) x 2 Case cover		N30-3006-46		Round screw x 6	
G13-0645-04	N	Battery cushion Case cover		N30-3008-45		Round screw x 2 Panel	
G13-0646-04	N ☆	Meter cushion 20 x 15 x 4		N30-3010-46		Round screw x 8	
G13-0655-04	N	Tone compensating cushion SP		N30-3014-46		Round screw	
H01-4405-04	N	Carton case (inside) T		N32-2604-46		Flat screw x 4	
H01-4406-04	N	Carton case (inside) W		N32-2606-46		Flat screw x 2	
H10-1276-04		Cushion		N32-3005-46		Flat screw x 6	
H10-2511-02		Packing fuxture (F)		N32-3006-46		Flat screw x 4	
H10-2512-02		Packing fuxture (R)		N33-3006-45		Round flat screw x 4	
H20-1406-13		Protective cover		N35-3004-46		Bind screw x 6	
H25-0016-00		Accessory bag		N35-3006-45		Bind screw x 22	
H25-0036-00		Protective bag MIC		N35-3006-46		Bind screw x 3	
J02-0022-05		Foot (small) x 4 φ15		N35-4010-46		Bind screw x 2	
J02-0049-14		Foot (large) x 6 φ20		N35-4016-46		Bind screw	
J13-0033-15		Fuse holder		N35-4025-46		Bind screw x 2 Accessory	
J19-1314-04	☆	Diode holder Encoder		N87-2606-46		Self tapping screw x 3	
J19-1354-05	N	Battery case		N87-3006-41		Self tapping screw x 2	
J21-1144-14		SP mounting hardware x 2				Set name plate	
J21-2587-14	☆	Break plate		N87-3006-46		Self tapping screw x 32	
J25-3055-04	N ☆	PC board (A) CW SHIFT		N87-3012-46		Self tapping screw x 21	
J30-0061-04		Rubber spacer x 2 Pranger		N87-4010-46		Self tapping screw x 2	
J31-0502-04		PC board collar x 2		N89-3005-46		Bind tapping screw x 9	
J31-0504-04		Collar x 2 Break plate		R01-3419-05	N	Pot. MIC	
J32-0756-04	N	Hex. boss x 5 PLL		R12-1407-05		Trim. pot. 2kΩ (B) Encoder	VR4
J42-0428-05		PC board bushing x 2		R12-1413-05		Trim. pot. 1kΩ (B) Encoder	VR1
J59-0001-05		Grommet x 2		R12-1417-05	N	Trim. pot. 3kΩ (B) x 2 Encoder	VR2, 3
J59-0002-05		Pranger x 2		R12-7404-05		Trim. pot. 500kΩ (Z) x 2	VR5, 6
J61-0019-05		Vinyle tie		R92-0150-05		Short jumper	
J61-0401-05		Nylon band x 6		S31-2027-05		Slide switch AC volt select	
K01-0406-05		Handle		S44-1404-05		Paddle switch	S1
K21-0742-04		Pointer knob MODE		S50-1406-05		Tact switch x 2 MIC	
K21-0757-03	N	Main knob		T03-0031-15		Speaker	
K23-0738-04		Pointer knob TX OFFSET		T91-0315-15		Microphone T	
K23-0740-04		Knob (inside) x 3 RIT, SQ, AF		T91-0316-15		Microphone W	
K23-0749-04	N	Tight knob		W02-0324-05		Encoder ass'y	
K23-0750-04	N	Lever knob (A) STBY		X41-1370-00	N	Switch unit T	
K23-0751-04	N	Lever knob (B) x 4 VOX, ALC, NB, LOW		X41-1370-61	N	Switch unit W	
K27-0408-04		Push knob x 2 TONE, REV		X42-1070-60		Power cord ass'y	
K27-0426-04		BAND knob x 2		X43-1420-00	N	AVR unit	
K27-0429-04	N	Push knob (C) x 2 PRIO		X44-1470-00	N	RF unit	
K29-0709-04		Push knob (square) x 7 FS, M, MR		X48-1350-51	N	IF unit T	
K29-0725-04		Push knob x 2 MS		X48-1350-61	N	IF unit W	
K29-0738-04		Knob x 3 MIC, M.CH, FUNC.		X50-1770-00	N	PLL unit	
K29-0755-04	N	Knob (outside) x 3 IF SHIFT, SCAN W, RF		X50-1780-00	N	CAR unit	
L01-8017-05	N	Power transformer		X50-1790-00	N	430 HET unit	
L15-0303-05	N	Low frequency choke		X53-1240-51	N	Control unit T	
				X53-1240-61	N	Control unit W	
				X56-1420-00		TX unit	
				X60-1180-51	N	Final unit ass'y	

PARTS LIST

Parts No.	Re-marks	Description	Ref. No.	Q'ty	Parts No.	Re-marks	Description	Ref. No.	Q'ty
SWITCH UNIT (X41-1370-XX) -51 : T, -61 : W					RF UNIT (X44-1470-00)				
C91-0402-05		C 0.001	C1~4	4	N30-3006-46		Round screw		3
E06-0853-05		8P male socket		1	R12-0405-05	N	Trim. pot 330Ω (B) ANTI VOX	VR8	1
E23-0046-04		Square terminal		4	R12-0427-05		Trim. pot 500Ω (B)	VR1	1
E40-0311-05		Connector 3P		1	R12-2410-05		Trim. pot 5kΩ (B)	VR2	1
J31-0502-04		PC board collar		2	R12-3408-05		Trim. pot 47kΩ (B) SIDE TONE, VOX GAIN	VR5,6	2
J42-0428-05		PC board bushing		2	R12-3412-05		Trim. pot 10kΩ (B) CAR, FM MIC	VR3,4	2
L33-0644-05	N	Choke coil 2.2μH	L1,2	2	R12-5402-05		Trim. pot 220kΩ (B) DELAY	VR7	1
R19-3412-05	N	Pot. (A) AF,RF	VR1,2	1	RC05GF2H4R7M		Solid 4.7Ω 1/2W	R1,14,27	3
R19-9406-05	N	Pot. (R) RIT, IF SHIFT	VR4,5	1	R92-0150-05		Short jumper		26
RC05GF2H330J		Solid 33Ω 1/2W	R8	1	R92-0660-05	N	Cement resistor 2.2Ω	R5,6	2
S03-2402-05	N	Rotary switch (E) SQ, SCAN W	VR3,S14	1	T95-0051-05		Buzzer		1
S29-1419-05	N	Rotary switch (B) M CH	S13	1	RF UNIT (X44-1470-00)				
S29-1420-05	N	Rotary switch (C) FUNCTION	S12	1	C05-0062-05		Ceramic trimmer 6pF	TC1	1
S29-1421-05	N	Rotary switch (D) TX OFFSET	S3	1	CC45CH1H010C	C	1pF	C11,32	2
S29-2405-05	N	Rotary switch (A) MODE	S11	1	CC45CH1H040C	C	4pF	C13	1
S33-2401-05	N	Lever switch NB, HIGH, SEND, VOX, METER	S4~8	5	CC45CH1H0R5C	C	0.5pF	C38	1
S40-2404-05		Push switch MR, F.LOCK, TONE	S1,23,24	3	CC45CH1H080D	C	8pF	C33	1
S40-2404-05		Push switch MR, F.LOCK	S23, 24	2	CC45CH1H150J	C	15pF	C20	1
S40-2405-05		Push switch PRIO. M x 2, FS, RIT, MS (144, 430)	S9,10,16, 19,20	5	CC45CH1H180J	C	18pF	C10	1
S40-2409-15		Push switch M, REV (Non lock)	S2,25	2	CC45CH1H330J	C	33pF	C12,31	2
S40-2409-15		Push switch M, REV, TONE	S1, 2, 25	3	CC45SL1H101J	C	100pF	C1,22,23,26,28,29,34	7
S40-2413-05		Push switch F.STEP, SCAN, HOLD (Non lock)	S15,17,18	3	CK45B1H102K	C	0.001	C3,5,8,15,24,27,30	7
S50-1409-05		Tact switch BAND	S21,22	2	CK45F1H103Z	C	0.01	C6,7,14,25,36	5
POWER CORD ASS'Y (X42-1070-60)					C91-0131-05	C	0.01	C4,9,16~19,35,37	8
E09-0426-05		Plug		1	C91-0456-05	C	0.047	C2,21	2
E30-0585-05		Power cord with plug		1	E04-0154-05		Coax connector		2
J61-0402-05		Free up belt		1	J31-0502-04		PC board collar		6
AVR UNIT (X43-1420-00)					J42-0428-05		PC board bushing		6
CE04W1C100M	E	10 16V	C3,9,13, 15,17,18,22,25,28,33,35,41	12	L34-0909-05		Coil 4φ 1.5T	L5,6	2
CE04W1C101M	E	100 16V	C30	1	L34-2035-05	N	Tuning coil	L1	1
CE04W1C471M	E	470 16V	C7	1	L34-2045-05		Tuning coil IF	L2,3	1
CK45B1H102K	C	0.001	C4,12,31, 39,42	5	L40-1091-03		Ferri-inductor 1μH	L4	1
CK45F1H103Z	C	0.01	C2,5,6,29	4	L71-0229-05	N	MCF 30.865 MHz	XF1	1
CS15E1C100M	T	10 16V	C43	1	L79-0463-25		Helical block (A) 430	HB(A)	1
C91-0131-05	C	0.01	C1,8,10,11,14,16, 19~21,23,24,26,27,32,34,36,38,40	18	L79-0465-15		Helical block (B) 430	HB(B)	1
E23-0047-04		Square terminal		6	L79-0467-05		Helical resonator (A) 144	HB(D)	1
F20-0516-05		Insulating sheet		2	L79-0468-05		Helical resonator (B) 144	HB(E)	1
F29-0014-05		Shoulder wash		2	L79-0491-05	N	Helical block (C) 430	HB(C)	1
G11-0605-04		Cushion		1	N87-2606-46		Self tapping screw		6
N30-3004-46		Round screw		1	IF UNIT (X48-1350-XX) -51 : T, -61 : W				
For Service Manuals Contact MAURITRON TECHNICAL SERVICES 8 Cherry Tree Rd, Chinnor Oxon OX9 4QY Tel: 01844-351694 Fax: 01844-352554 Email: enquiries@mauritron.co.uk					C05-0030-15		Ceramic trimmer 20pF	TC1	1
					C05-0031-15		Ceramic trimmer 10pF	TC2	1
					C05-0308-05		Ceramic trimmer 4pF	TC3	1
CC45CH1H010C	C	1pF	C190	1	CC45CH1H030C	C	3pF	C7	1

PARTS LIST

Parts No.	Re- marks	Description	Ref. No.	Q'ty	Parts No.	Re- marks	Description	Ref. No.	Q'ty
CC45CH1H050C	C	5pF	C144,149	2	C91-0131-05	C	0.01 C25,31,34,35,39,40,44,45,50,51,		24
CC45CH1H0R5C	C	0.5pF	C185	1			63,68,69,105,138,140,143,152,158,170,174,183,193,201		
CC45CH1H080D	C	8pF	C32	1					
CC45CH1H100D	C	10pF	C49,56	2	C91-0431-05		Laminated cap. 0.1	C173	1
CC45CH1H120J	C	12pF	C141	1	C91-0432-05		Laminated cap. 220pF	C179	1
CC45CH1H150J	C	15pF	C38	1	C91-0433-05		Laminated cap. 0.0039	C03~05	3
CC45CH1H220J	C	22pF	C43,182	2	C91-0456-05		C 0.047	C217	1
CC45CH1H270J	C	27pF	C66	1	C91-0457-05		C 0.022 C2,4,8,11,27,28,36,37,41,42,		24
CC45CH1H330J	C	33pF	C1,142	2			46,47,58,60,71,145,147,148,151,153,157,181,184,191		
CC45CH1H470J	C	47pF	C6	1					
CC45UJ1H020C	C	2pF	C176	1	C91-0479-05	N	Laminated cap. 150pF	C180	1
CC45UJ1H060D	C	6pF	C177	1					
CC45UJ1H390J	C	39pF	C178	1	J31-0502-04		PC board collar		11
CC45UJ1H470J	C	47pF	C175	1	J42-0428-05		PC board bushing		11
CC45SL1H101J	C	100pF	C16,122,124,125,154,159	6	L30-0005-05		IFT 10.695 MHz	L14,16,17,24	4
CC45SL1H221J	C	220pF	C59,156	2	L30-0199-05		IFT 455 kHz	L12	1
CC45SL1H330J	C	33pF	C97,99,134	3	L30-0281-05		IFT 10:695 MHz	L3~5	3
CC45SL1H470J	C	47pF	C3,9,10,57,61,83,187	7	L30-0503-05		IFT 455 kHz	L9,11,20	3
CE04W1A101M	E	100 10V	C79,116,123,129	4	L30-0504-05		IFT 455 kHz	L19	1
CE04W1A221M	E	220 10V	C203	1	L33-0642-05	N	Choke coil	L29	1
CE04W1A330M	E	33 10V	C162,165	2	L34-2036-05	N	Tuning coil MIX (Hetero)	L2,33	2
CE04W1A470M	E	47 10V	C19,54,70,100,	11	L34-2037-05	N	Tuning coil 10.695 MHz	L34	1
			110,119,128,135,136,204,205		L34-2038-05	N	Tuning coil 30.865 MHz	L35,36	2
CE04W1C100M	E	10 16V	C29,209	2	L34-2039-05	N	Tuning coil NB	L6,7	2
CE04W1C220M	E	22 16V	C109, 163, 172, 02, 06	5	L34-2040-05	N	Tuning coil MIX (R-Input)	L1	1
CE04W1C471M	E	470 16V	C118	1	L34-2041-05	N	Tuning coil 41.56 MHz	L30,31	2
CE04W1H010M	E	1 50V	C26,55,114,121,	11	L40-1011-03		Ferri-inductor 130μH	L10	1
			139, 166, 194, 202, 210, 07, 08		L40-1021-03		Ferri-inductor 1mH	L13,15,23	3
CE04W1H2R2M	E	2.2 50V	C171	1	L40-1511-03		Ferri-inductor 150μH	L18,25,32	3
CE04W1H3R3M	E	3.3 50V	C103,137,200,207	4	L40-1541-27		Coil 150mH	L28	1
CE04W1H4R7M	E	4.7 50V	C127,197	2	L40-4701-03		Ferri-inductor 47μH	L8	1
CK45B1H102K	C	0.001	C33,64,117,150,	15	L40-4711-03		Ferri-inductor 470μH	L26,27	2
			161, 169, 188, 189, 208, 218, 219, 01, 09, 010, 012		L40-6825-04		Ferri-incuctor 6.8mH	L22	1
CK45B1H471K	C	470pF	C76, 84, 85, 87, 88	5	L71-0215-05		MCF 10.695 MHz (SSB)	XF2	1
CK45F1H103Z	C	0.01	C5,12,30,48,65,	11	L71-0230-05	N	MCF 10.695 MHz (SSB)	XF1	1
			75, 146, 155, 186, 192, 196		L72-0316-05		Ceramic filter CFW455E	CF	1
CQ92M1H102K	ML	0.001	C24,80,92,198	4	L77-0949-05	N	Crystal 13.8533 MHz	X1	1
CQ92M1H103K	ML	0.01	C15,20,98,111,130,167,216	7	L79-0464-05		Ceramic discri CFA455S	L21	1
CQ92M1H104K	ML	0.1	C120	1	N30-3004-46		Round screw		1
CQ92M1H123K	ML	0.012	C53,211,212,214,215	5	R12-0426-05	N	Trim. pot 100Ω	VR7	1
CQ92M1H222K	ML	0.0022	C23,86,89,94,96,101	6	R12-1417-05		Trim. pot 3kΩ	VR6	1
CQ92M1H223K	ML	0.022	C14,18,77,78,82,	8	R12-1418-05	N	Trim. pot 1kΩ	VR12	1
			91,107,206		R12-1419-05	N	Trim. pot 3kΩ	VR2,10	2
CQ92M1H332K	ML	0.0033	C93,115,131	3	R12-2410-05	N	Trim. pot 5kΩ	VR8,13	2
CQ92M1H392K	ML	0.0039	C112	1	R12-3433-05	N	Trim. pot 30kΩ	VR3	1
CQ92M1H393K	ML	0.039	C13,17,22,67,95,108	6	R12-3514-05		Trim. pot 10kΩ	VR01	1
CQ92M1H473K	ML	0.047	C52,72~74,81,	10	R12-4410-05		Trim. pot 50kΩ T	VR02	1
			90,133,168,195,199		R12-4410-05	N	Trim. pot 50kΩ	VR4,5,9	3
CQ92M1H822K	ML	0.0082	C160	1	R12-7404-05	N	Trim. pot 500kΩ	VR1,11	2
CS15E1A100M	T	10 10V	C104	1	R92-0616-05	R	10kΩ	R02, 03	2
CS15E1A150K	T	15 10V	T C011, 013	2	RN14BK2E4701F	R	470Ω	R04	1
CS15E1C3R3M	T	3.3 16V	C21,102	2	RN14BK2E4703F	R	47kΩ	R05	1
CS15E1C4R7M	T	4.7 16V	C106,164	2					
CS15E1E010M	T	1 25V	C62,126,132	3					
CS15E1V0R1M	T	0.1 35V	C113, 213	2					

PARTS LIST

Parts No.	Re- marks	Description	Ref. No.	Q'ty	Parts No.	Re- marks	Description	Ref. No.	Q'ty
PLL UNIT (X50-1770-00)					L30-0281-05				
C05-0030-15		Ceramic trimmer 20pF	TC1	1	L31-0313-05		Tuning coil 10.192 MHz	T5	1
C05-0031-15		Ceramic trimmer 10pF	TC4	1	L32-0624-05		OSC coil VCO (A)	L9	1
C05-0062-05		Ceramic trimmer 6pF	TC2	1	L32-0641-05	N	OSC coil VCO (B)	L22	1
C05-0309-05		Ceramic trimmer 40pF	TC3	1	L32-0642-05	N	OSC coil 32.431 MHz	T8	1
CC45CH1H010C	C	1pF	C98	1	L33-0605-05		Choke coil C.47μH	L24	1
CC45CH1H020C	C	2pF	C13,140	2	L34-0683-05		Tuning coil VCO Buff	T1	1
CC45CH1H030C	C	3pF	C136	1	L34-1025-05	N	Coil 3φ 5 1/2T	L12	1
CC45CH1H040C	C	4pF	C97	1	L34-1026-05	N	Coil 3φ 7 1/2T	L5	1
CC45CH1H050C	C	5pF	C70,95,123,125,135	5	L34-1033-05		Coil 3φ 8 1/2T	L1~3	3
CC45CH1H0R5C	C	0.5pF	C24,74	2	L34-2042-05	N	Tuning coil 97.293 MHz	T9,10	2
CC45CH1H070D	C	7pF	C25,75,94	3	L34-2043-05	N	Tuning coil 107 MHz	T4	1
CC45CH1H080D	C	8pF	C93,138	2	L34-2044-05	N	Tuning coil 107 MHz	T2,3	2
CC45CH1H100D	C	10pF	C59,61,79,80	3	L40-1001-01		Ferri-inductor 10μH	L29~34	6
CC45CH1H120J	C	12pF	C71,129,133	4	L40-1001-03		Ferri-inductor 10μH	L8,25,26	3
CC45CH1H150J	C	15pF	C96,118,120	3	L40-1011-03		Ferri-inductor 100μH	L4,14,23,28,35	5
CC45CH1H180J	C	18pF	C139	1	L40-1021-03		Ferri-inductor 1mH	L15,16,20,21,27	5
CC45CH1H220J	C	22pF	C60,92,121,124	4	L40-1091-03		Ferri-inductor 1μH	L10	1
CC45CH1H270J	C	27pF	C99	1	L40-2211-03		Ferri-inductor 220μH	L6,7	2
CC45CH1H330J	C	33pF	C17,23,73,119,130,137	6	L40-3391-03		Ferri-inductor 3.3μH	L17	1
CC45PH1H050C	C	5pF	C91	1	L40-4711-03		Ferri-inductor 470μF	L11,13	2
CC45TH1H330J	C	33pF	C90	1	L40-6891-02		Ferri-inductor 6.8μH	L18,19	2
CC45TH1H560J	C	56pF	C141	1	L72-0326-05	N	Ceramic filter 10.055 MHz	CF1	1
CC45SL1H101J	C	100pF	C29,30	2	L72-0327-05	N	Ceramic filter 10.192 MHz	CF2,3	2
CC45SL1H121J	C	120pF	C128	1	L77-0720-05		Crystal 10.24 MHz	X2	1
CC45SL1H220J	C	22pF	C1,12	2	L77-0953-05	N	Crystal 32.431 MHz	X1	1
CC45SL1H221J	C	220pF	C127	1	CAR UNIT (X50-1780-00)				
CC45SL1H270J	C	27pF	C10,11	2	C05-0067-05		Ceramic trimmer 25pF	TC1,2	
CC45SL1H271J	C	270pF	C45,47	2	C05-0309-05		Ceramic trimmer 40pF	TC3	
CC45SL1H330J	C	33pF	C54	1	CC45CH1H030C	C	3pF	C11	1
CC45SL1H390J	C	39pF	C2,78	2	CC45CH1H100D	C	10pF	C18	1
CC45SL1H470J	C	47pF	C3,32,38,134	4	CC45CH1H101J	C	100pF	C10,17	2
CC45SL1H680J	C	68pF	C48	1	CC45CH1H220J	C2	22pF	C15	1
CE04W1A101M	E	100 10V	C103,144	2	CC45CH1H270J	C	27pF	C12	1
CE04W1A470M	E	47 10V	C84,101,109,143	4	CC45UJ1H220J	C	22pF	C2,4	2
CK45B1H102K	C	0.001 C4,7,9,14,55,89,100,113,150		9	CC45UJ1H270J	C	27pF	C5	1
CK45B1H471K	C	470pF	C52	1	CC45SL1H331J	C	330pF	C16	1
CQ92M1H122K	ML	0.0012	C49,51	2	CK45F1H103Z	C	0.01	C6	3
CQ92M1H223K	ML	0.022	C110	1	CS15E1VR22M	T	0.22 35V	C1,3,13	1
CQ92M1H272K	ML	0.0027	C50	1	C91-0131-05	C	0.01	C7,8	2
CQ92M1H332K	ML	0.0033	C131	1	C91-0456-05	C	0.047	C14,19	2
CQ92M1H333K	ML	0.033	C132	1	C91-0480-05	N	Laminated cap. 330pF	C9	1
CS15E1C100M	T	10 16V	C147	1	L30-0281-05		Tuning coil	L6	1
CS15E1C2R2M	T	2.2 16V	C106,107	2	L33-0647-05		Choke coil 18μH	L4	1
CS15E1V0R1M	T	0.1 35V	C114	1	L40-1511-03		Ferri-inductor 150μH	L1~3,5,7~9	7
CS15E1VR22M	T	0.22 35V	C111	1	L77-0950-05	N	Crystal 10.6965MHz	X1	1
C90-0830-05	E	10 16V	C82,122	2	L77-0951-05	N	Crystal 10.6935MHz	X2	1
C91-0131-05	C	0.01 C5,6,8,15,16,22,26~28,43,44,62,63,69,72,76,77,85~87,102,104,105,108,142,145,148,149		28	L77-0952-05	N	Crystal 9.415MHz	X3	1
C91-0456-05	C	0.047	C33~37,88	6	R12-1420-05	N	Trim. pot 1kΩ(B)	VR1~3	3
C91-0457-05	C	0.022 C18~21,31,39~42,53,56~58,64~68,81,83,112,115~117,126,146		26					
C91-0481-05	N	Laminated cap. 560pF	C46	1					
J25-3061-03	N	PC board		1					

PARTS LIST

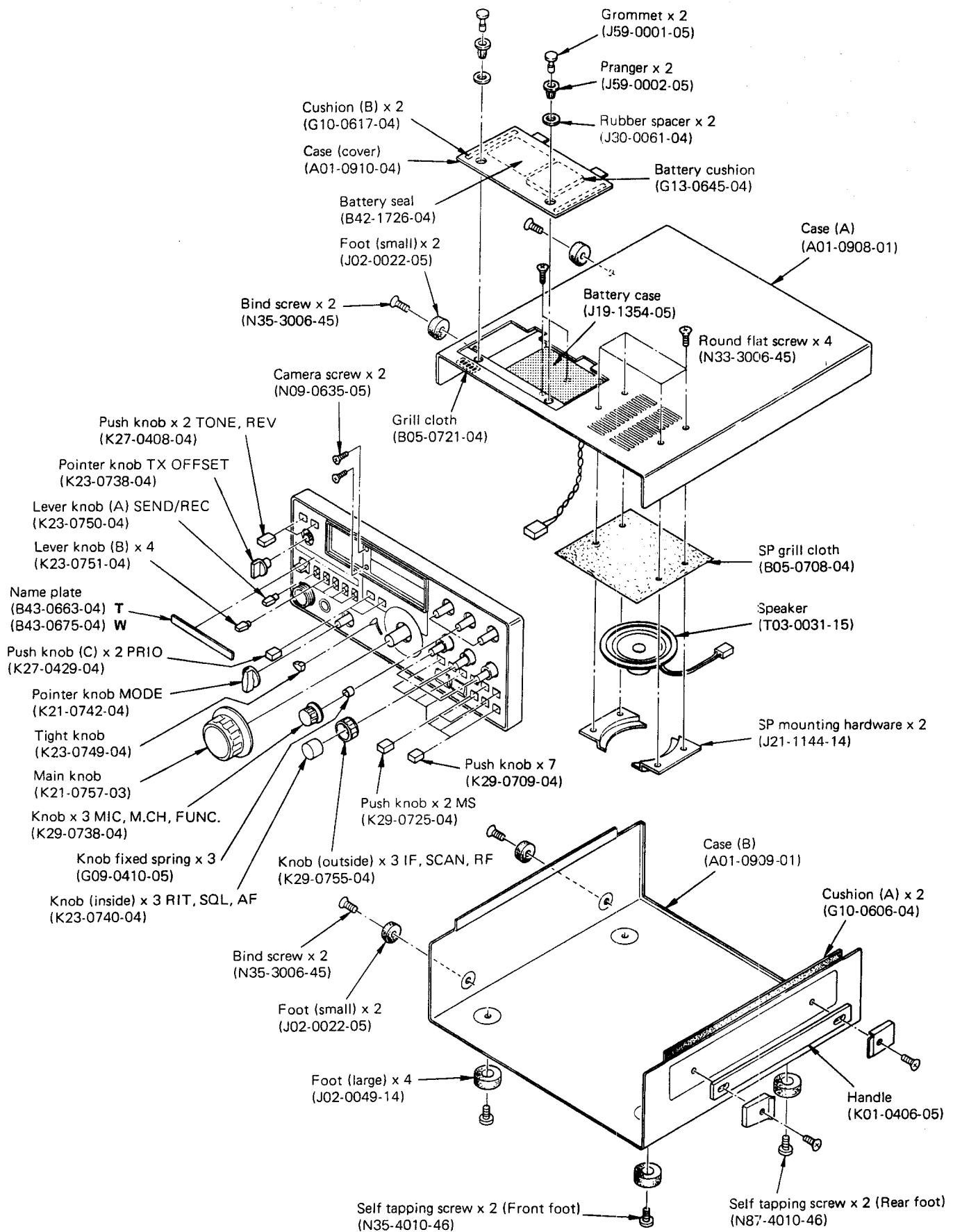
Parts No.	Re- marks	Description	Ref. No.	Q'ty	Parts No.	Re- marks	Description	Ref. No.	Q'ty
430 HET UNIT (X50-1790-00)					TX UNIT (X56-1420-00)				
C05-0030-15		Ceramic trimmer 20pF	TC4~8	5	CK45B1H102K	C	0.001	C2~7,9,37,61,62	10
C05-0031-15		Ceramic trimmer 10pF	TC1	1	CK45F1H103Z	C	0.01	C1,12,16~18,24~27,31~33,36	13
C05-0067-05		Ceramic trimmer 25pF	TC2,3	2	CO92M1H562K	ML	0.0056	C19,20,22,30	4
CC45CH1H020C		C 2pF	C7,38	2	CO92M1H682K	ML	0.0068	C21,23	2
CC45CH1H030C		C 3pF	C65	1	CS15E1E010M	T	1 25V	C28,29	2
CC45CH1H040C		C 4pF	C13	1	CS15E1VR33M	T	0.33 35V	C53	1
CC45CH1H050C		C 5pF	C6	1	C91-0131-05	C	0.01	C58	1
CC45CH1H0R5C		C 0.5pF	C24,45,46,57,58,67	6	C91-0457-05	C	0.022	C56,59,60	3
CC45CH1H060D		C 6pF	C19	1	E31-2123-05	N	Flat cable		2
CC45CH1H070D		C 7pF	C66	1	L19-0305-05		OSC trans	T51	1
CC45CH1H080D		C 8pF	C23	1	L33-0616-05		Choke coil	L51	1
CC45CH1H100D		C 10pF	C44,47,56,59,64	5	L40-1011-03		Ferri-inductor 100μH	L1	1
CC45CH1H101J		C 100pF	C9,11,15,17,20,25	6	L40-1511-03		Ferri-inductor 150μH	L52	1
CC45CH1H120J		C 12pF	C48,60	2	L78-0005-05	N	Ceramic oscillator	X1	1
CC45CH1H220J		C 22pF	C2,3	2	N30-3006-41		Round screw		2
CC45CH1H330J		C 33pF	C34	1	R90-0510-05		Resisotr block 4.7kΩ x 8	RB51,52	2
CC45RH1H100D		C 10pF	C33	1	R90-0511-05		Resistor block 4.7kΩ x 8	RB53,54	2
CC45UJ1H070D		C 7pF	C29,30	2	R90-0533-05	N	Resistor block 10kΩ x 8	RB1~3,5	4
CC45SL1H470J		C 47pF	C37	1	R90-0534-05	N	Resistor block 10kΩ x 5	RB4,6	2
CE04W1A470M		E 47 10V	C18,55	2	R12-3401-05		Trim. pot	VR1	1
CK45B1H102K		C 0.001	C1,8,10,14,16,21,22,26, 40,42,43,49,51,52,54,62,68,69	18					
C91-0131-05		C 0.01	C4,5,12,27,28,31,32,35, 36,39,41,50,53,61,63,70	16					
E04-0154-05		Coax connector		4					
L19-0309-05		Wide bandwidth trans.	L2,3	2					
L32-0643-05	N	OSC coil	L12	1					
L33-0026-05		Choke coil 1μH	L7,20	2					
L33-0605-05		Choke coil 0.47μH	L5,18	2					
L34-1015-05		Coil 3φ 4 1/2T (1T)	L14,17	2					
L34-1016-05		Coil 3φ 4 1/2T (1 1/2T)	L16	1					
L34-1029-05	N	Coil 3φ 4 1/2T (2 1/2T)	L15	1					
L34-1030-05	N	Coil 3.5φ 4 1/2T (3T)	L19	1					
L34-1031-05	N	Coil 3.5φ 2 1/2T (2T)	L6	1					
L34-1032-05	N	Coil 3φ 3 1/2T	L21	1					
L34-1033-05	N	Coil 3φ 8 1/2T	L1	1					
L34-1036-05		Coil 3φ 1 1/2T	L8	1					
L40-1011-03		Ferri-inductor 100μH	L4,13	2					
L40-4711-03		Ferri-inductor 470μH	L9,10,22	3					
L77-0954-15	N	Crystal 40.85714 MHz	X1	1					
L77-0955-15	N	Crystal 41.57143 MHz	X2	1					
L79-0487-05	N	Helical block (A)	HB1	1					
L79-0488-05	N	Helical block (B)	HB2	1					
N87-2606-46		Self tapping screw		4					
R12-3421-05		Trim. pot 10kΩ	VR1	1					
CONTROL UNIT (X53-1240-XX) -51 : T, -61 : W									
CC45CH1H220J		C 22pF	C14	1	C05-0030-15		Ceramic trimmer 20pF	TC2	1
CC45RH1H390J		C 39pF	C13	1	C05-0031-15		Ceramic trimmer 10pF	TC1,4	2
CC45SL1H101J		C 100pF	C8,10	2	C05-0062-05		Ceramic trimmer 6pF	TC3	1
CE04W1A101M		E 100 10V	C15,35,52	3	C05-0308-05		Ceramic trimmer 4pF	TC5	1
CE04W1A470M		E 47 10V	C51	1	CC45CH1H020C	C	2pF	C13,14,57,100,111	5
CE04W1A471M		E 470 10V	C34	1	CC45CH1H030C	C	3pF	C20,21,54	3
CE04W1E100M		E 10 25V	C55,57	2	CC45CH1H050C	C	5pF	C45,70,76	3
CE04W1H100M		E 10 50V	C54	1	CC45CH1H0R5C	C	0.5pF	C24,25,28,29,77,101	6
CE04W1H2R2M		E 2.2 50V	C11	1	CC45CH1H040C	C	4pF	C91	1
					CC45CH1H070D	C	7pF	C53, 83	2
					CC45CH1H080D	C	8pF	C108	1
					CC45CH1H100D	C	10pF	C2	1
					CC45CH1H180J	C	18pF	C32,38	2
					CC45CH1H220J	C	22pF	C17,18	2
					CC45CH1H330J	C	33pF	C1,10,11,19	4
					CC45TH1H030C	C	3pF	C22,26,30,33	4
					CC45SL1H101J	C	100pF	C78,80,85,86,88, 94,96,103,105	9
					CC45SL1H121J	C	120pF	C73	1
					CC45SL1H470J	C	47pF	C8,12	2
					CC45SL1H680J	C	68pF	C74	1
					CE04W1C100M	E	10 16V	C51,99	2
					CE04W1E4R7M	E	4.7 25V	C49,106	2
					CK45B1H102K	C	0.001	C23,27,31,35,37,41,46,50,55, 56,58,68,71,72,79,81,82,84, 87,89,92,95,102,107,109,110	26
					CS15E1C100M	T	10 16V	C61	1
					CS15E1C4R7M	T	4.7 16V	C49,106	2
					CS15E1E1R5M	T	1.5 25V	C66	1
					CS15E1VR47M	T	0.47 35V	C59	1
					C91-0131-05	C	0.01	C4~7,9,15,16,34,36,39,40,42, 47,52,60,62~65,67,69,75,90,93	24
					C91-0456-05	C	0.047	C3	1
					C91-0466-05	Cap.	0.001	C43,48,97,104	4

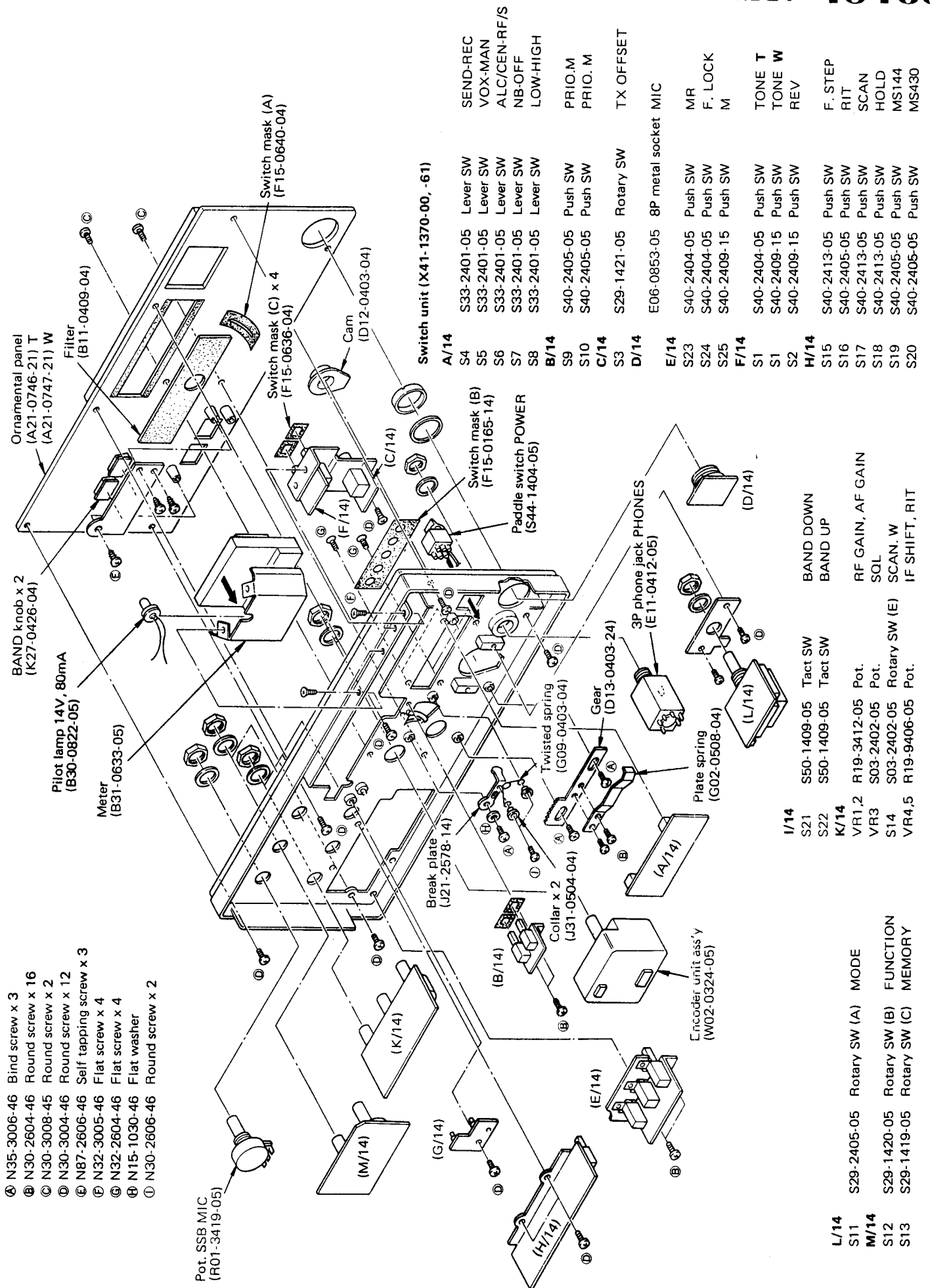
For Service Manuals Contact
MAURITRON TECHNICAL SERVICES
 8 Cherry Tree Rd, Chinnor
 Oxon OX9 4QY
 Tel: 01844-351694 Fax: 01844-352554
 Email: enquiries@mauritron.co.uk

PARTS LIST

Parts No.	Re- marks	Description	Ref. No.	Q'ty	Parts No.	Re- marks	Description	Ref. No.	Q'ty
E04-0154-05		Coax connector		3	CC45SL2H390J	C	39pF 500V	C17	1
L19-0309-05		Wide bandwidth trans.	L19,20	2	CK45B1H102K	C	0.001	C1, 4, 7, 13, 21, 23, 25, 27~30, 32~35, 37	16
L34-0452-05		Coil 3φ 6T	L16	1	CS15E1C100M	T	10 16V	C22	1
L34-0692-05		Coil 5φ 4T	L17	1	C90-0861-05	E	22 16V	C2, 5, 8	3
L34-1033-05		Coil 3φ 8 1/2T	L5	1	C91-0131-05	C	0.01	C3,6,9,26,31	5
L34-1034-15	N	Coil 5φ 6T	L15	1	E23-0046-04		Square terminal		7
L34-1035-05	N	Coil 3φ 11 1/2T	L21	1	L33-0025-05		Choke coil 1.3μH	L5	1
L34-1036-05	N	Coil 3φ 1 1/2T	L18	1	L34-0438-05		Coil 0.94μH	L2	1
L34-1041-05	N	Coil 4φ 3T	L23,24	2	L34-0692-05		Coil 5φ 4T	L3	1
L34-1042-05	N	Coil 4.5φ 1T	L25~27	3	L34-0817-05		Coil 5φ 3T	L4,6	2
L34-2038-05		Tuning coil TIF 30.865 MHz	L1	1	L34-0823-05		Coil 5φ 3T	L1	1
L34-2045-05	N	Tuning coil TIF 30.865 MHz	L2	1	L40-1001-03		Ferri-inductor 10μH	L7	1
L34-2046-05	N	Tuning coil MIX IF 30.865 MHz	L4	1	R12-0424-05	N	Trim. pot 100Ω (B)	VR2	1
L34-2047-05	N	Tuning coil MIX VCO 114 MHz	L6	1	R12-0425-05	N	Trim. pot 500Ω (B)	VR4	1
L34-2048-05	N	Tuning coil 145 MHz	L7~9	3	R12-4411-05	N	Trim. pot 50kΩ (B)	VR3	1
L34-2049-05	N	Tuning coil 145 MHz	L11	3	R12-5410-05	N	Trim. pot 100kΩ (B)	VR1	1
L40-1021-03		Ferri-inductor 1mH	L12	1	430 FINAL UNIT				
L40-1091-03		Ferri-inductor 1μH	L3	1	CC45CH1H010C	C	1pF	C12	1
L40-1511-03		Ferri-inductor 150μH	L13,14	2	CC45CH1H020C	C	2pF	C17	1
L40-3391-03		Ferri-inductor 3.3μH	L10	1	CC45CH1H070D	C	7pF	C16	1
L40-4701-03		Ferri-inductor 47μH	L22	1	CC45CH1H220J	C	22pF	C19	1
L79-0489-05	N	Helical block (A)	HB1	1	CC45SL2H020C	C	2pF 500V	C8,15	2
L79-0490-15	N	Helical block (B)	HB2	1	CC45SL2H030C	C	3pF 500V	C9,10	2
N87-2606-46		Self tapping screw		4	CC45SL2H050C	C	5pF 500V	C11,21	2
R12-3416-05		Trim. pot 47kΩ	VR1,2	2	CC45SL2H070D	C	7pF 500V	C14	1
FINAL UNIT ASS' Y (X60-1180-51)					CC45SL2H080D	C	8pF 500V	C13	1
CC45SL2H120J	C	12pF	C1	1	CE04W1C220M	E	22 16V	C3,5	2
E04-0109-15		M type receptacle		1	CK45B1H102K	C	0.001	C7,22~25,27,39,40	8
E04-0151-05		N type receptacle		1	CS15E1E010M	T	1 25V	C26	1
E22-0371-05	☆	Lug plate		1	C90-0861-05	E	22 16V	C1	1
F20-0516-05		Insulating sheet (Q2)		1	C91-0112-05	Cap.	0.001	C28~38	11
F29-0014-05		Shoulder washer (Q2)		1	C91-0466-05	Cap.	0.001	C2,4,6,18,20	5
G02-0509-04		GND plate		1	J31-0503-05	☆	Bead		11
J32-0759-14	N	Hex. boss		5	J32-0757-04	N	Hex. boss		1
L34-0887-05		Coil 5φ 3T	L1	1	L34-0904-05		Coil 3φ 9.5T	L1	1
N30-3004-41		Round screw		5	L34-1037-05	N	Coil (A) 3.5φ 2T	L2,4	2
N30-3008-46		Round screw		7	L34-1038-05	N	Coil (B) 3.5φ 3T	L3	1
N30-3012-46		Round screw		9	L34-1039-05	N	Coil (C) 4φ 1.5T	L5	1
N35-3004-46		Bind screw		5	L34-1040-05	N	Coil (D) 4φ 1T	L6	1
N35-3006-41		Bind screw		2	L40-4782-13		Ferri-inductor 0.47μH	L7	1
144 FINAL UNIT					N30-3004-41		Round screw		4
CC45CH1H010C	C	1pF	C16,19	2	N35-3004-41		Bind screw		2
CC45CH1H150J	C	15pF	C38	1	N35-3006-41		Bind screw		2
CC45CH1H330J	C	33pF	C24	1	R12-0422-05	N	Trim. pot 100Ω (B)	VR2	1
CC45SL1H101J	C	100pF	C36	1	R12-1404-05		Trim. pot 4.7kΩ	VR5	1
CC45SL2H070D	C	7pF 500V	C10,11	2	R12-3421-05		Trim. pot 10kΩ	VR4	1
CC45SL2H100D	C	10pF 500V	C18	1	R12-4409-05	N	Trim. pot 50kΩ (B)	VR3	1
CC45SL2H101J	C	100pF 500V	C12,14	2	R12-5409-05	N	Trim. pot 100kΩ (B)	VR1	1
CC45SL2H220J	C	22pF 500V	C20	1					
CC45SL2H330J	C	33pF 500V	C15	1					

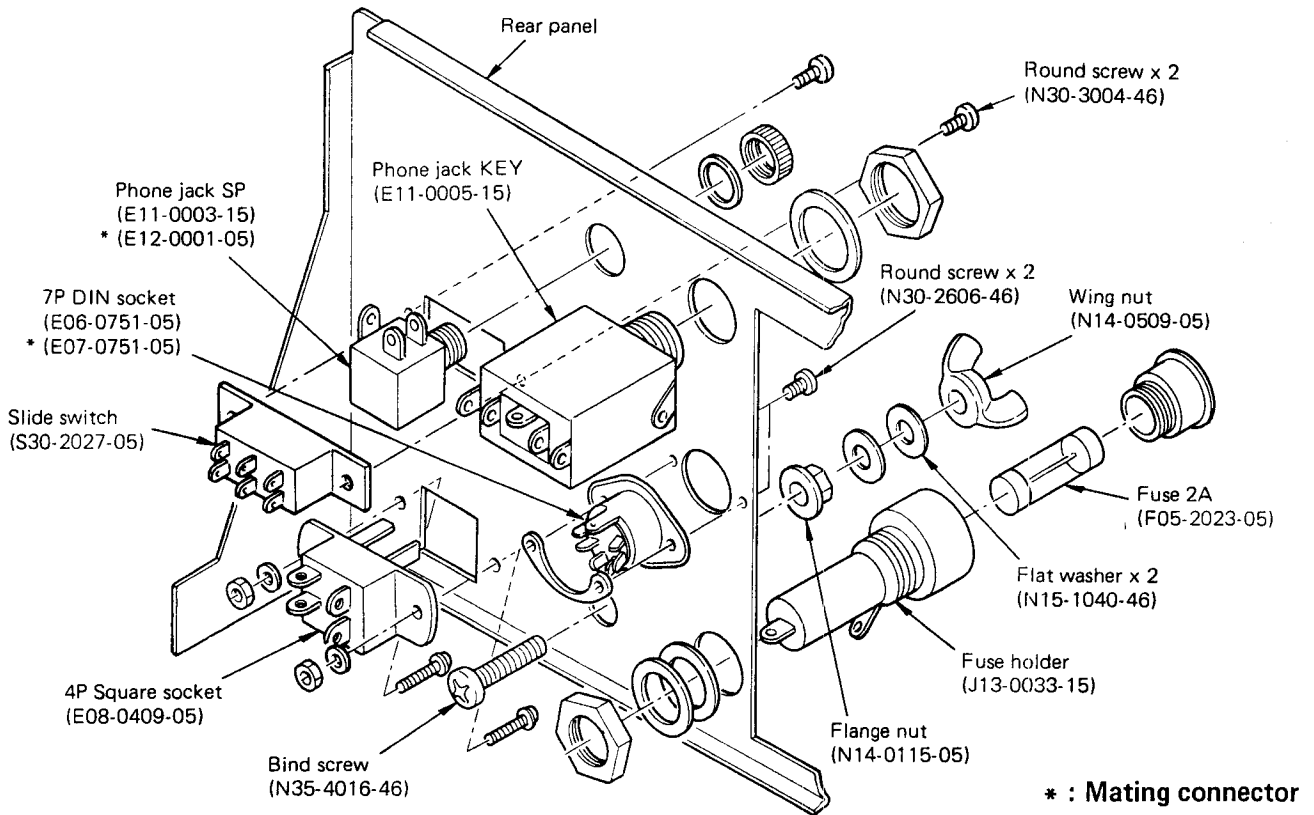
DISASSEMBLY



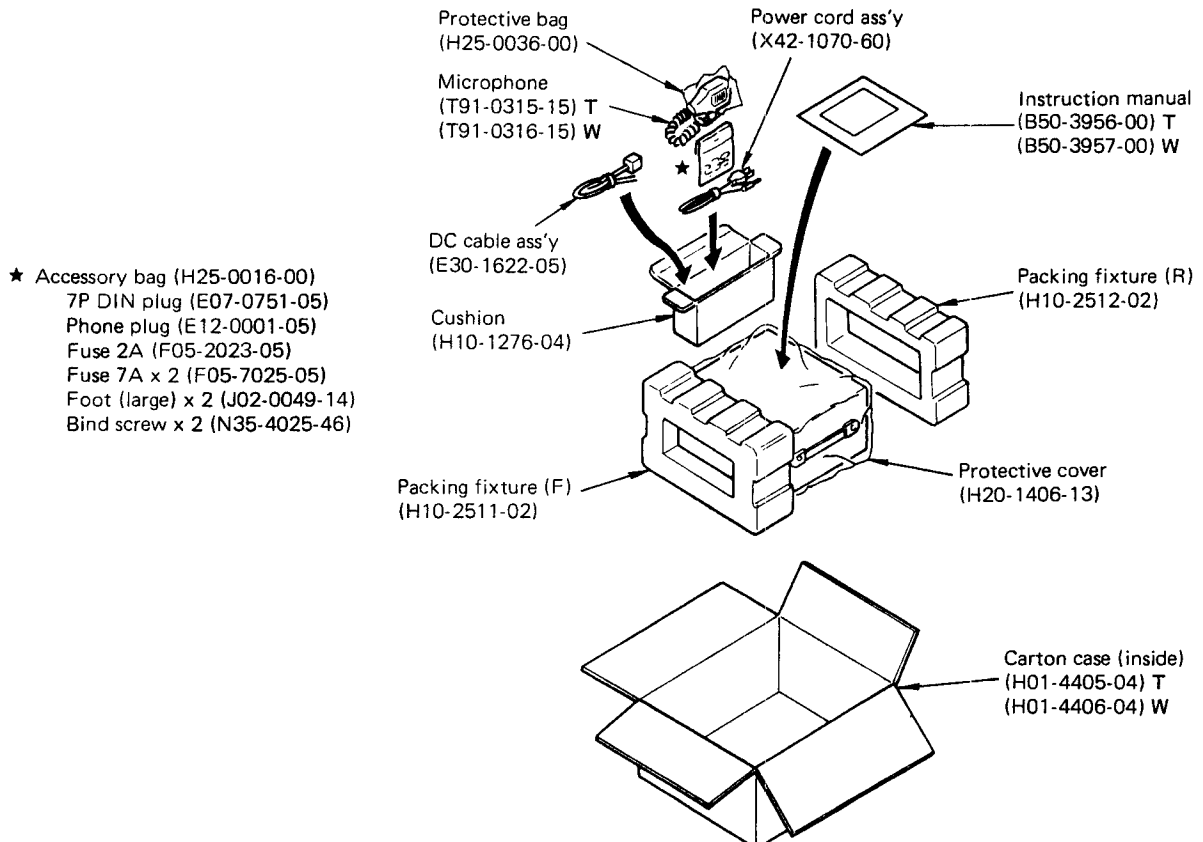


For Service Manuals Contact
MAURITRON TECHNICAL SERVICES
 8 Cherry Tree Rd, Chinnor
 Oxon OX9 4QY
 Tel: 01844-351694 Fax: 01844-352554
 Email: enquiries@mauritron.co.uk

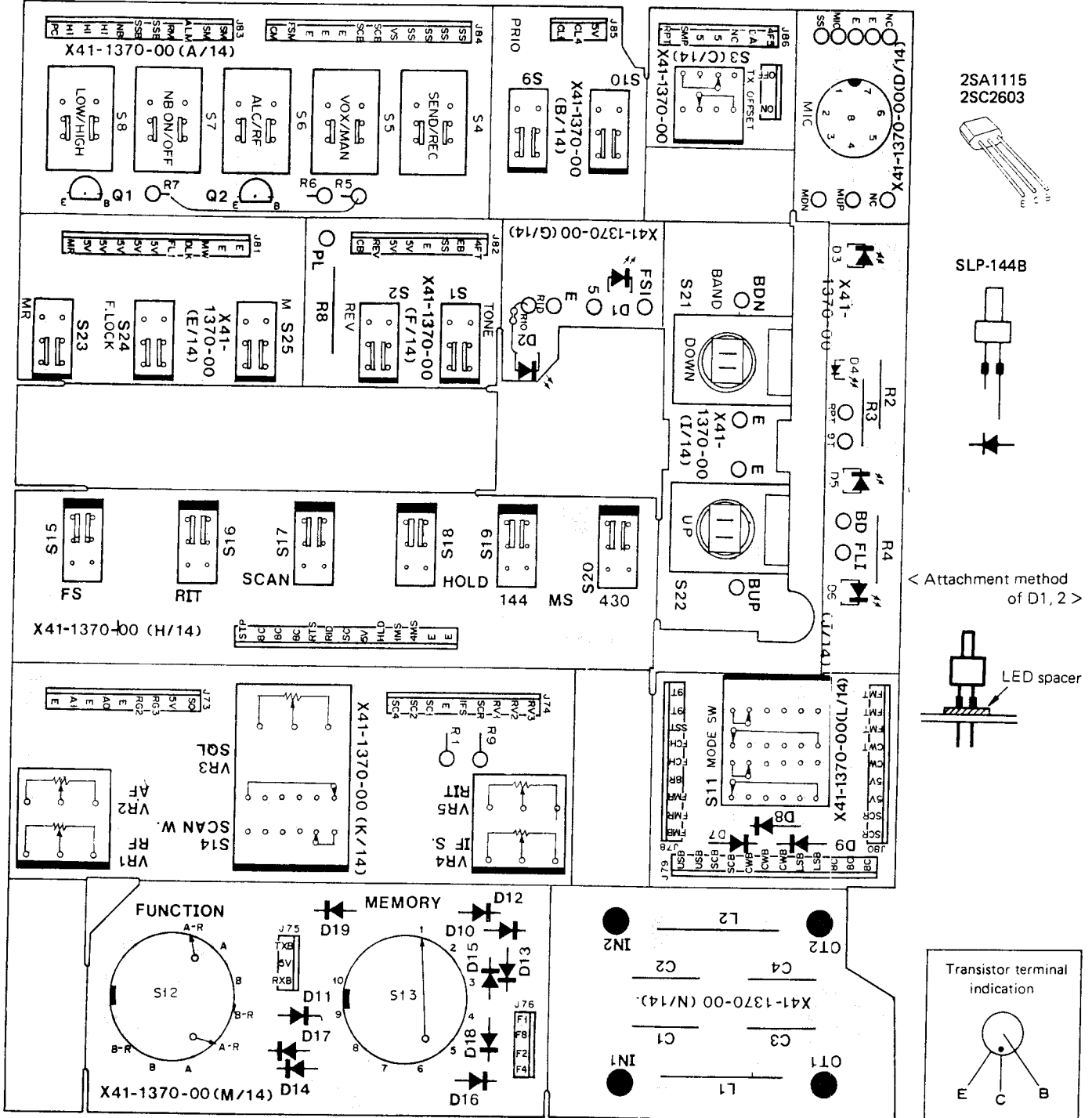
DISASSEMBLY/PACKING



PACKING

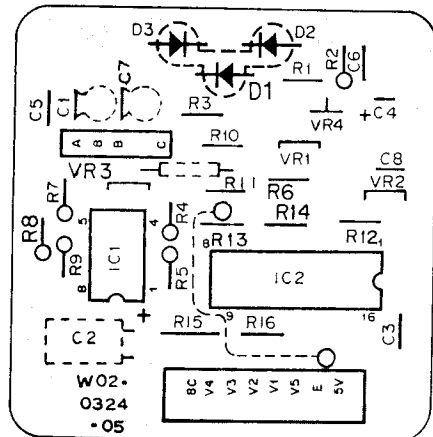


▼ SWITCH UNIT (X41-1370-XX) -51 : T, -61 : W Components side view



- Q1 : 2SC2603(E) Q2 : 2SA1115(E)
 D1 : SR539D D2 : SLP144B D3, 5, 6 : SG238D D4 : SR538D
 D7~19 : 1S1555 or 1N4448

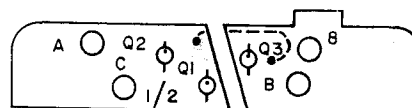
▼ ENCODER UNIT (W20-0324-05) Components side view



- IC1 : LM358P IC2 : MC14049UBCP
 D1~3 : SEL101R(B or C)

For Service Manuals Contact
MAURITRON TECHNICAL SERVICES
 8 Cherry Tree Rd, Chinnor
 Oxon OX9 4QY
 Tel:- 01844-351694 Fax:- 01844-352554
 Email:- enquiries@mauritron.co.uk

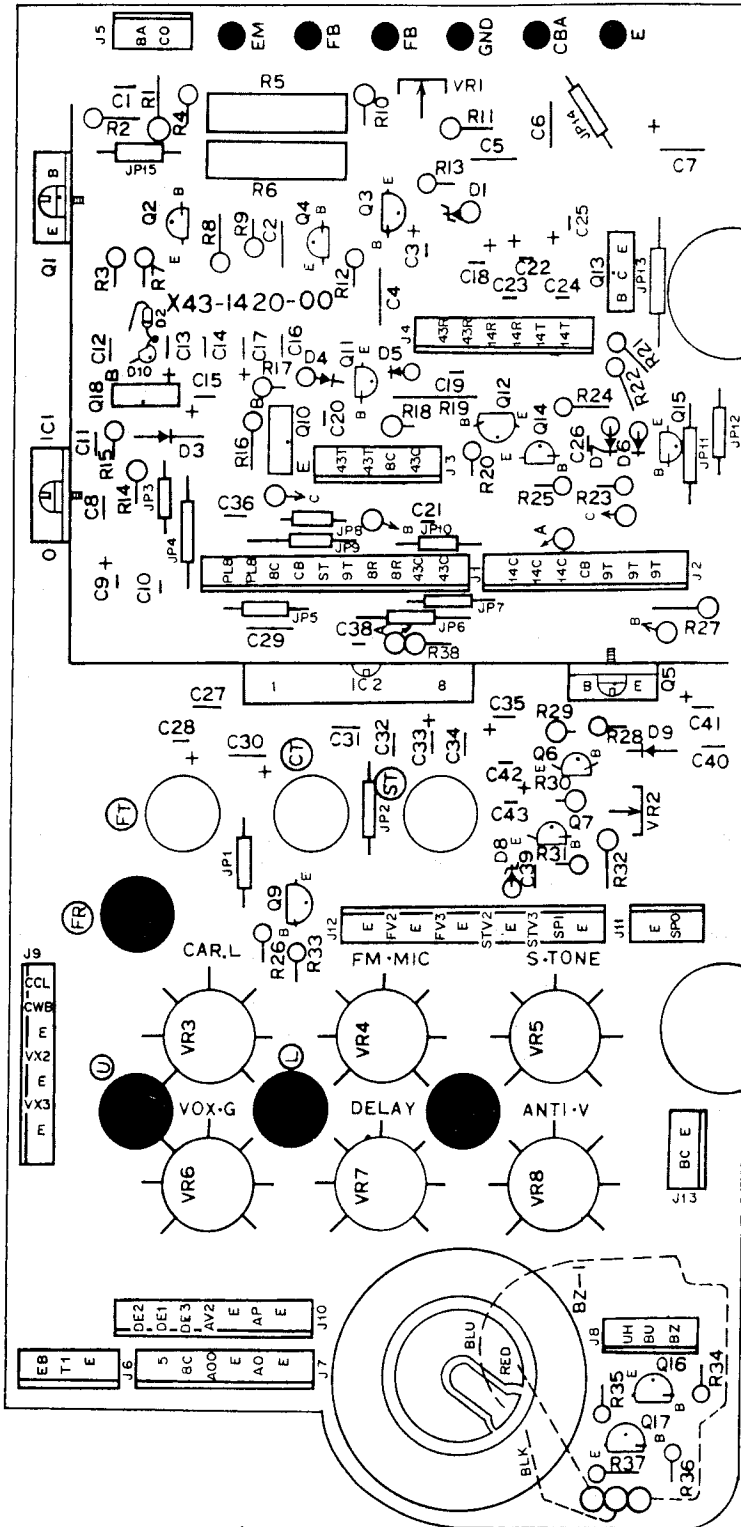
▼ ENCODER UNIT (W02-0324-05) Components side view



- Q1 : PH-101(R)
 Q2, 3 : PH-102(L)

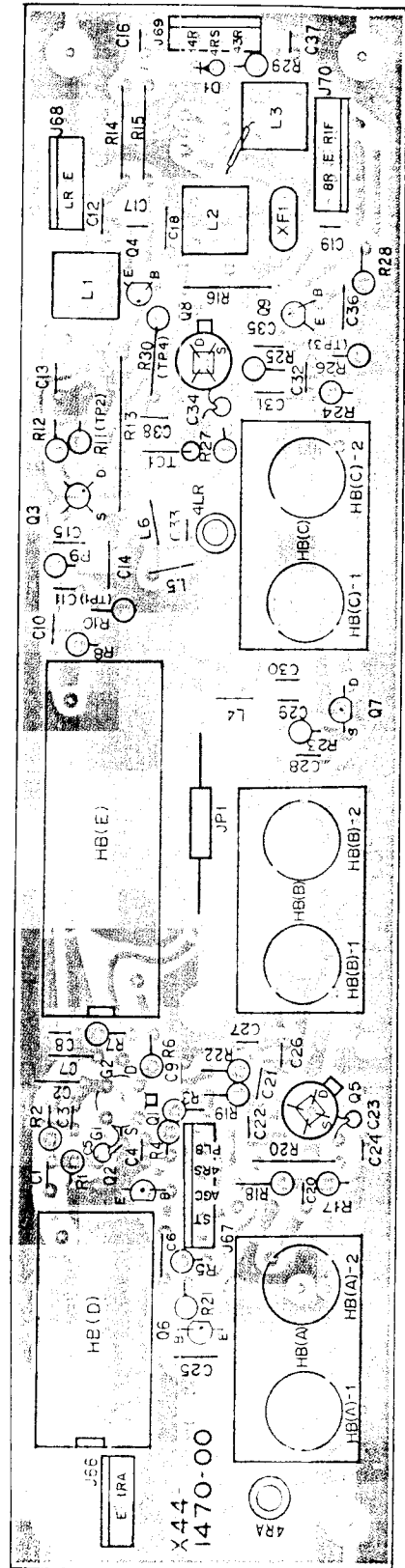
TS-780 PC BOARD VIEWS

▼ AVR UNIT (X43-1420-00) Components side view



Q1, 5 : 2SA1012(Y) Q2, 6 : 2SC1959(Y) Q3, 4, 9, 11, 15-17 : 2SC1815(Y) or 2SC2603(E) Q7, 12, 14 : 2SA1015(Y) Q8 : 2SC496(Y) Q10, 13 : 2SA496(Y)
 IC1 : μ PC78M08H IC2 : MB3756
 D1 : XZ-080 D2 : XZ-078 D3~7, 9 : 1S1555 or 1N4448 D8 : WZ-061 D10 : VD-1223

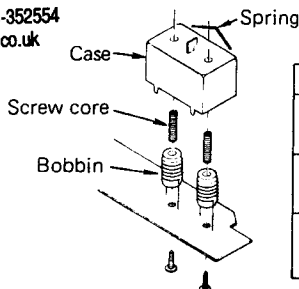
▼ RF UNIT (X44-1470-00) Components side view



Q1 : 3SK76 or 3SK92 Q2 : 2SC2603(E) Q3 : 3SK74(L) Q4, 6, 9 : 2SC1815(Y) or 2SC2603(E) Q5 : 3SK76-Q O7 : 2SK125 Q8 : 3SK48
 D1 : 1S1555 or 1N4448

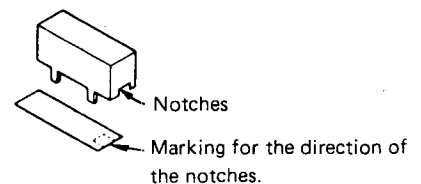
For Service Manuals Contact
MAURITRON TECHNICAL SERVICES
 8 Cherry Tree Rd, Chinnor
 Oxon OX9 4QY
 Tel: 01844-351694 Fax: 01844-352554
 Email: enquiries@mauritron.co.uk

< Helical block assembly >

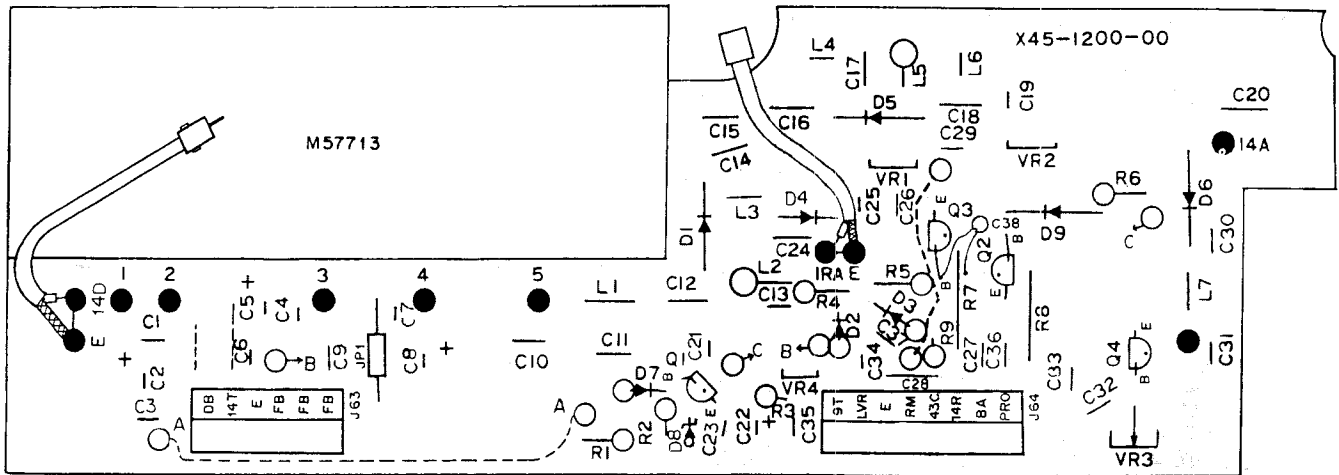


Coil	Color	Marking
HB(A)-1	Red	C
-2	Black	
HB(B)-1	Blue	B
-2	Red	
HB(C)-1	Black	A
-2	Yellow	

< Attachment direction of HB(D), HB(E) >

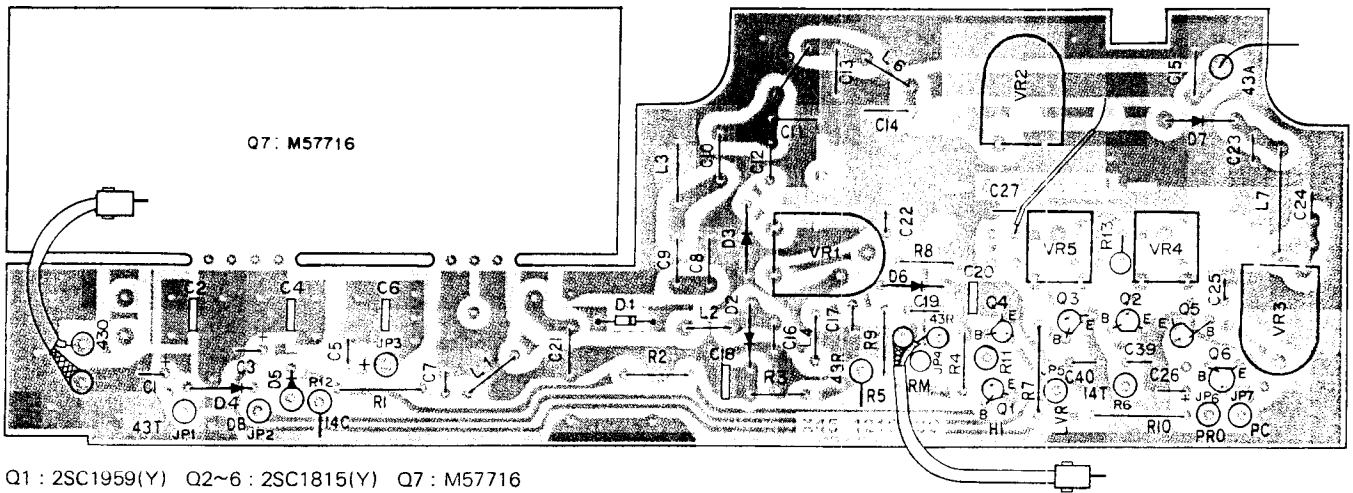


▼ 144 FINAL UNIT (X45-1200-00) Components side view

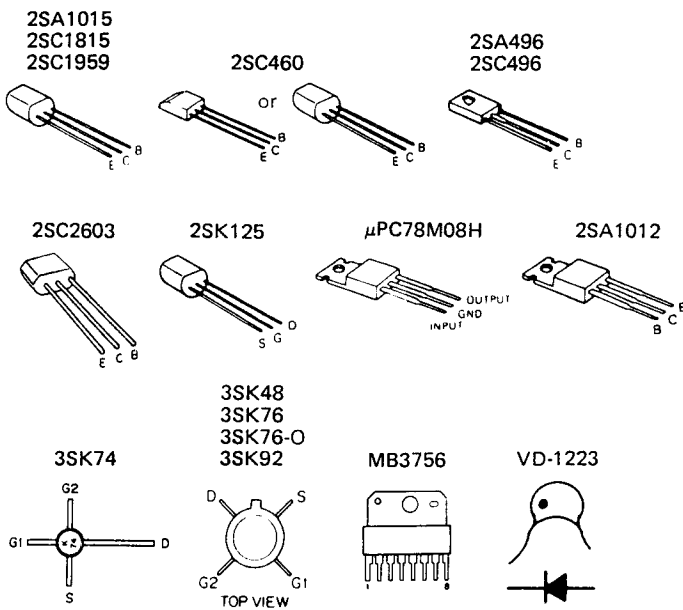


Q1 : 2SA1015(Y) Q2 : 2SC1959(Y) Q3, 4 : 2SC1815(Y) or 2SC2603(E)
 D1 : MI402 D2, 3, 7, 9 : 1S1555 or 1N4448 D4 : 1S2588 D5 : 1S1587 D6 : 1N60 D8 : XZ-064

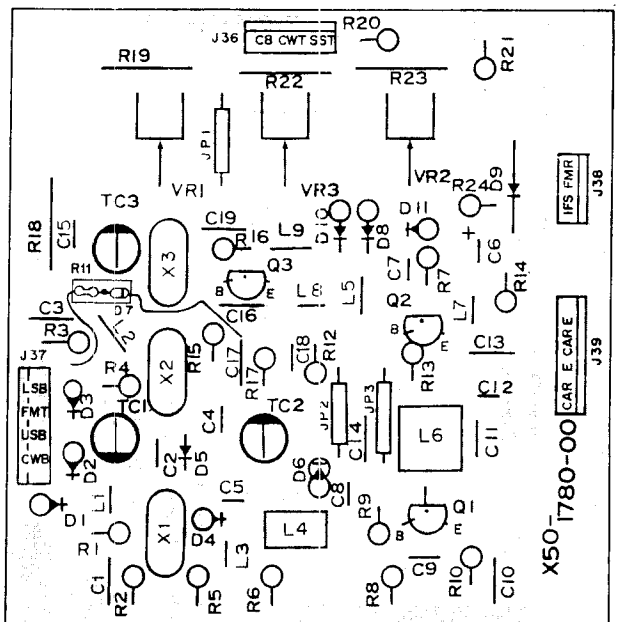
▼ 430 FINAL UNIT (X45-1210-00) Components side view



Q1 : 2SC1959(Y) Q2~6 : 2SC1815(Y) Q7 : M57716
 D1 : MI402 D2, 6 : 1S2588 D3 : 1S1587 D4, 5 : 1S1555 or 1N4448 D7 : 1SS99



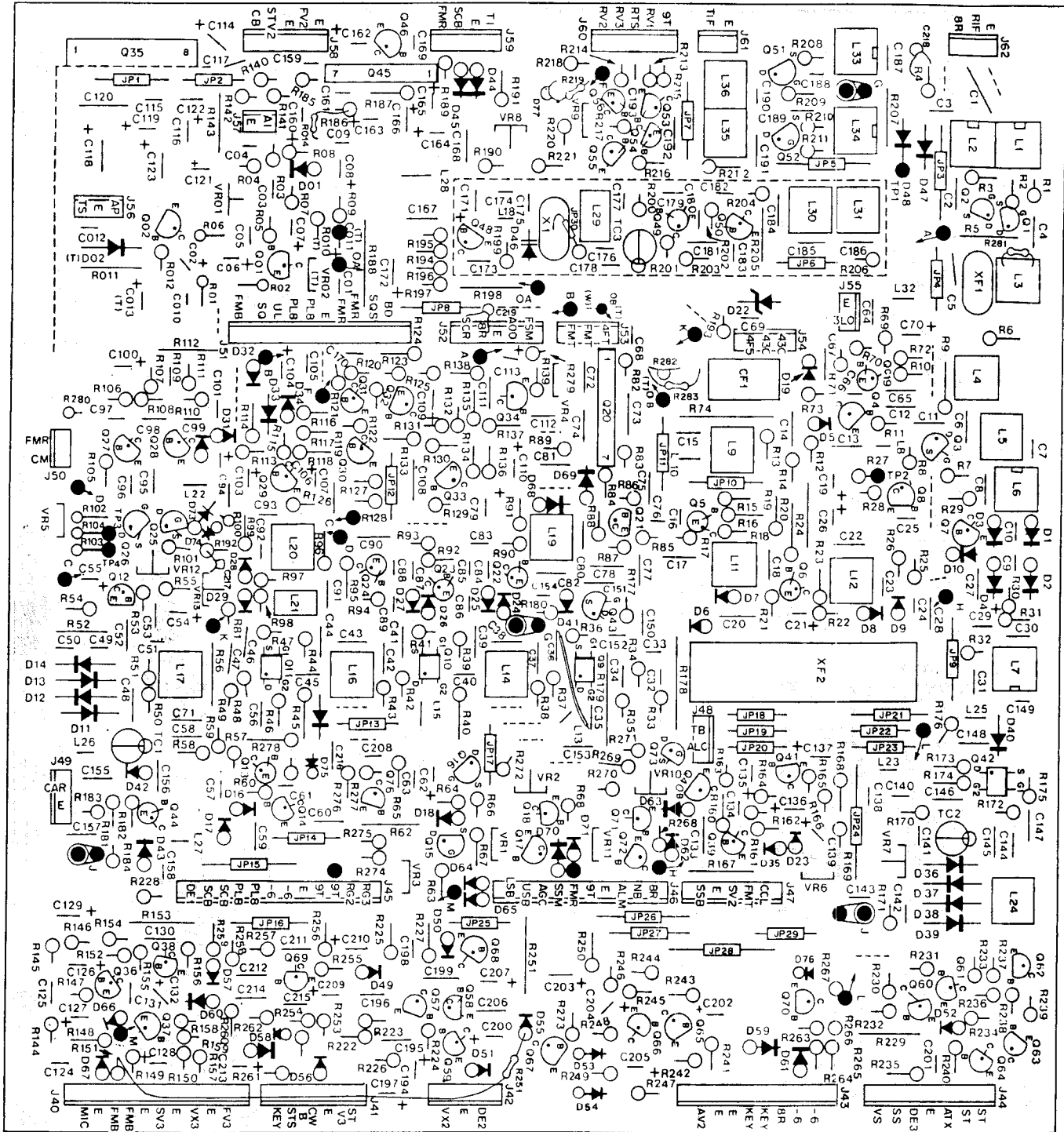
▼ CAR UNIT (X50-1780-00) Components side view



Q1~3 : 2SC460(B)
 D1~3, 7~11 : 1S1555 or 1N4448 D4, 5 : 1S2588 D6 : 1SV54GC

TS-780 PC BOARD VIEW

▼ IF UNIT (X48-1350-XX) -51 : T, -61 : W Components side view



- Q1~3, 51, 52 : 2SK125 Q4, 50 : 2SC1923(O) Q5, 6, 13, 19, 21~24, 44, 49 : 2SC460(B)
 Q7, 8, 14, 27~31, 39~41, 46, 48, 53~55, 57, 58, 60, 61, 64, 65, 67~69 : 2SC1815(Y) or 2SC2603(E) Q9~11, 42 : 3SK73(GR)
 Q12, 33, 36~38 : 2SC2240(GR) Q15 : 2SK30A(GR) Q16, 73 : 2SK19(Y) Q17, 32, 56, 59, 62, 66, 70, 72, 76 : 2SA1015(Y)
 Q18, 34, 71 : 2SC2603(E) Q20 : TA7302P Q25, 26 : 2SK19(GR) Q35 : MB3713 Q43 : 2SK61(GR) Q45 : TA7061AP Q63 : 2SC1959(Y)
 Q01, 02 : 2SC458(B)
 D1~4 : 1S1587 D5, 10, 15, 18, 19, 23~27, 32, 33, 35, 40~45, 49, 52~67, 70, 71, 73, 74, 76, 01, 02 : 1S1555 or 1N4448
 D6~9, 11~14, 16, 17, 28~31, 36~39, 50, 51, 68, 69, 75 : 1N60 D17 : 1S599 D22 : XZ-049 D34, 72 : 1S1212 D46 : 1SV50S
 D47, 48 : 1S2588 D77 : VD1223

	T	W
C011	Used	Not used
C013	Used	Not used
R010	Used	Not used
VR02	Used	Not used
D02	Used	Not used

2SA1015

2SC1815

2SC1923

2SC1959

2SC2240

2SC458

2SC460

2SC2603

2SK30A

2SK125

2SK19

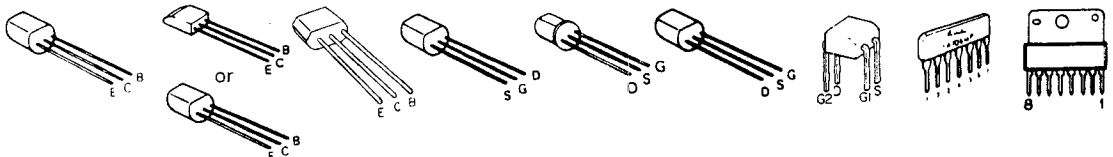
2SK61

3SK73

TA7061AP

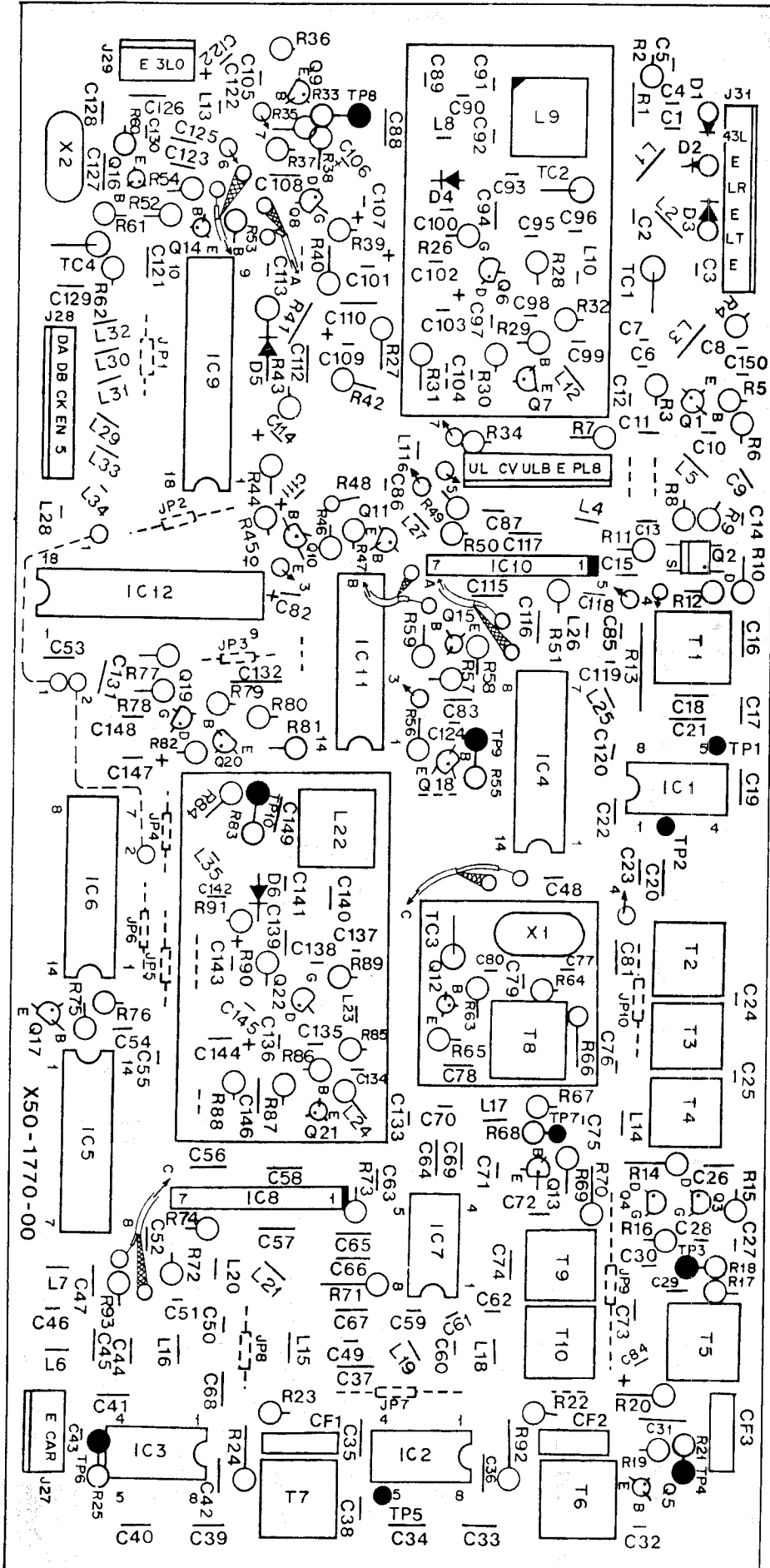
TA7302P

MB3713



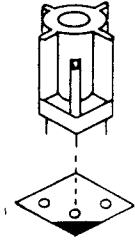
For Service Manuals Contact
MAURITRON TECHNICAL SERVICES
 8 Cherry Tree Rd, Chinnor
 Oxon OX9 4QY
 Tel: 01844-351694 Fax: 01844-352554
 Email: enquiries@mauritron.co.uk

▼ PLL UNIT (X50-1770-00) Components side view

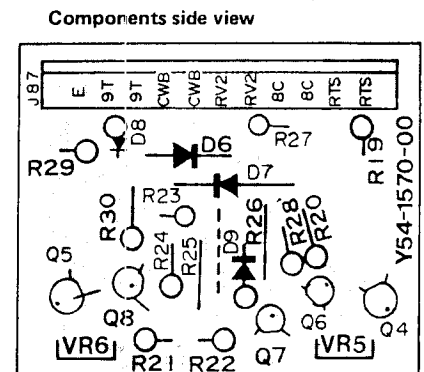


Q1, 7, 13, 17, 18 : 2SC1923(O) Q2 : 3SK73(Y) Q3, 4 : 2SK61(G) Q5, 12, 14~16, 21 : 2SC460(B) Q6, 22 : 2SK19(GR) Q8, 19 : 2SK30(A)(O) Q9, 20 : 2SC2240(GR) Q10, 11 : 2SC1815(Y) or 2SC2603(E) IC1~3 : 7 : SN16913P IC4 : HD74LS93P IC5, 6, 11 : HD74LS90P IC8, 10 : TA7302P IC9, 12 : MC145155P D1~3 : 1S2588 D4, 6 : SV505 D5 : 6G0

< Attachment direction of L9 >



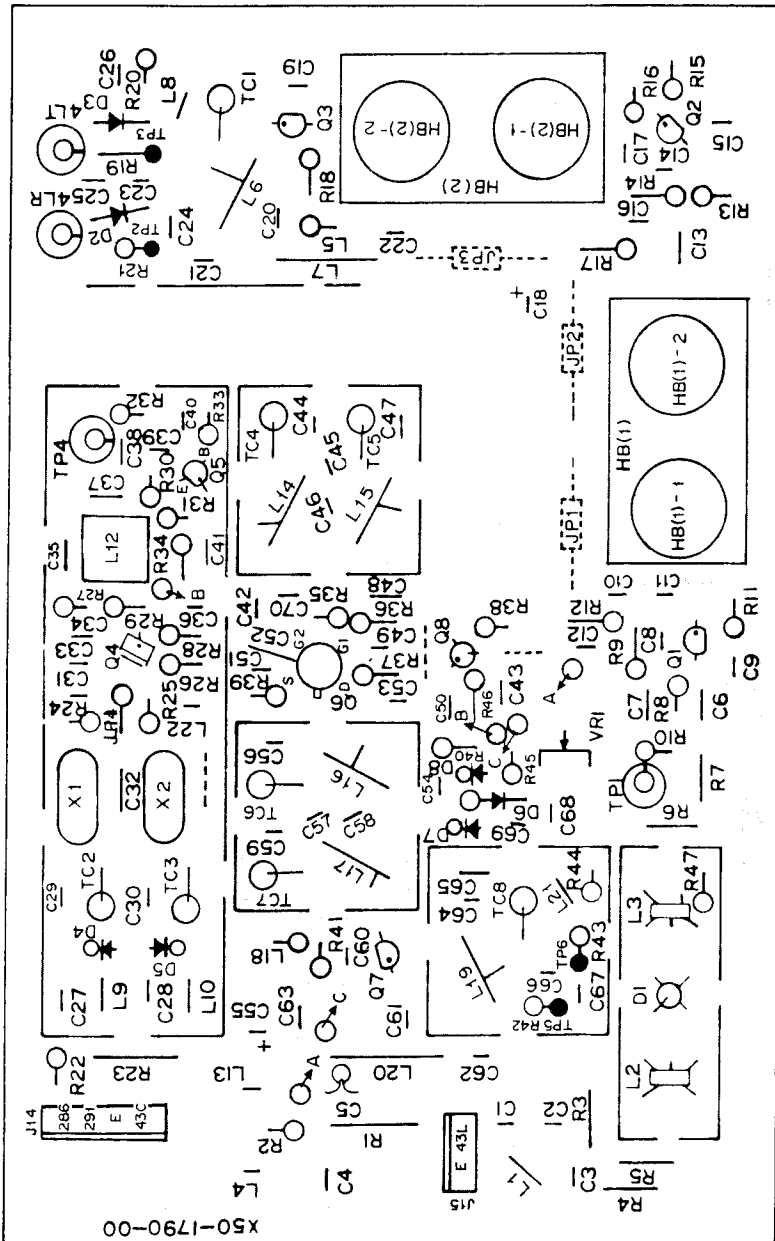
▼ CW SHIFT (J25-3055-04) Components side view



Q4~8 : 2SC2603(E)
D6~9 : 1S1555

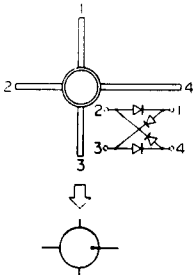
TS-780 PC BOARD VIEWS

▼ 430 HET UNIT (X50-1790-00) Components side view

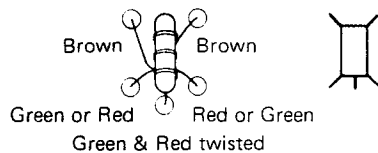


- Q1, 2 : 2SC2549 Q3, 7 : 2SK125 Q4 : 2SC460(B) Q5 : 2SC2026
 Q6 : 3SK92 or 3SK76 Q8 : 2SC1815(Y) or 2SC2603(E)
 D1 : ND487C1-3R D2, 3 : 1S2588 D4, 5 : BA243S D6 : 1N60
 D7 : 1SS99 D8 : 1S1555

< Attachment direction of D1 >

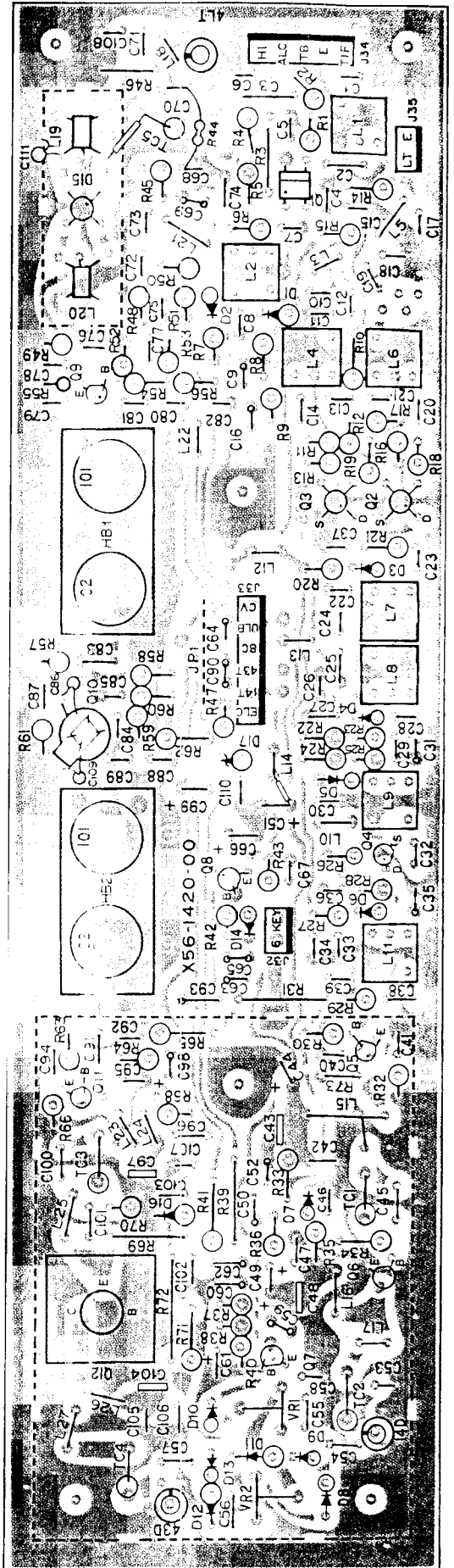


< Attachment direction of L19, 20 (TX unit),
 L2, 3 (430 HET unit) >



- Q1 : 3SK73(GR) Q2, 3 : 3SK74(M) Q4 : 2SK125 Q5, 11 : 2SC2026
 Q6 : 2SC2538-22-A Q7 : 2SC1815(Y) or 2SC2603(E) Q8 : 2SA1015(Y)
 Q9 : 2SC2549 Q10 : 3SK92 or 3SK76 Q12 : 2SC2762
 D1, 2 : 1S2588 D3~6 : ITT410 D7, 16 : 1S1555
 D10, 11, 14 : 1S1555 or 1N4448 D8, 9, 12, 13 : 1N60 D15 : ND487C1-3R
 D17 : XZ-060

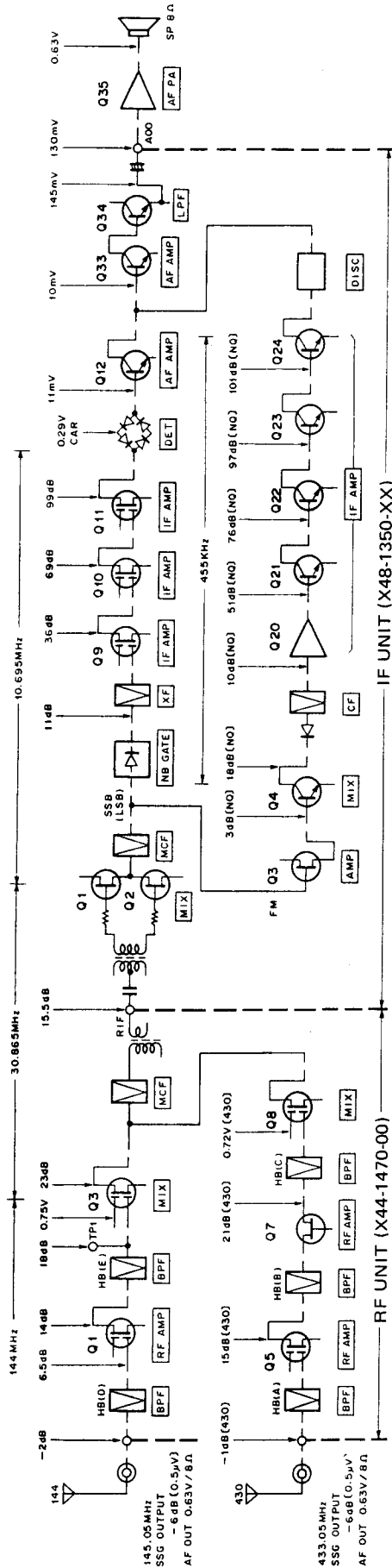
▼ TX UNIT (X56-1420-00) Components side view



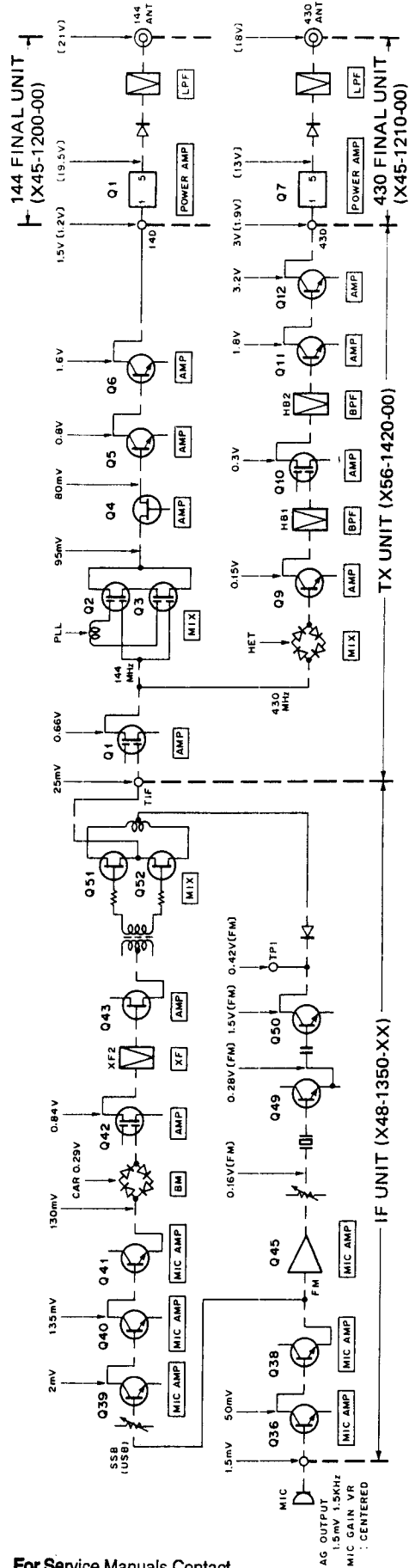
For Service Manuals Contact
MAURITRON TECHNICAL SERVICES
 8 Cherry Tree Rd, Chinnor
 Oxon OX9 4QY
 Tel: 01844-351694 Fax: 01844-352554
 Email: enquiries@mauritron.co.uk

LEVEL DIAGRAM

RECEIVER SECTION



TRANSMITTER SECTION



Notes :

1. Each SSG level shown above is that which is applied to each point to obtain an audio output of 0.63V/8Ω when the AF GAIN VR is set so that this audio output level is obtained when a 144.50 MHz (433.05 MHz), -6 dB SSG signal is applied to the ANT terminal.
2. Each level shown in the FM circuit is the SSG level at which the same S/N ratio is obtained as when a -6 dB SSG signal is applied to the ANT terminal.
3. Output levels at stages after ring detector are AF output levels.
4. The SSG signal is applied to each point through a 0.01μF titanium oxide porcelain capacitor.

Notes :

1. The levels in front of terminals 14D and 43D are measured with the coaxial cable disconnected from the TX unit.
2. The levels in the microphone amplifier are measured with an audio voltmeter, and others are measured with an RF voltmeter.

ADJUSTMENT

REQUIRED TEST EQUIPMENT

1. **DC V.M**
 - High input impedance
2. **RF VTVM (RF V.M)**
 - Input impedance: 1M Ω min., 2pF max
 - Voltage range: F.S = 10 mV ~ 300V
 - Frequency range: Up to 450 MHz
3. **Frequency Counter (F count)**
 - Input sensitivity: Approx. 50 mV
 - Frequency range: Up to 450 MHz
4. **DC Power Supply**
 - Voltage: 10V ~ 17V, variable
 - Current: 6A min
5. **Power Meter**
 - Measurement range Approx. : 30W, 3W, 1W.
 - Input impedance: 50 Ω
 - Frequency range: 450 MHz
6. **AF VTVM (AF V.M)**
 - Input impedance: 1M Ω min.
 - Voltage range: F.S = 1 mV ~ 30V
 - Frequency range: 50 Hz ~ 10 kHz
7. **AF Generator (AG)**
 - Output frequency: 100 Hz ~ 10 kHz
 - Output voltage: 0.5 mV ~ 1V
8. **Linear Detector**
 - Frequency range: 450 MHz
9. **Field Strength Meter**
 - Frequency range: 450 MHz
10. **Directional Coupler**
11. **Oscilloscope**
 - High sensitivity oscilloscope with horizontal input terminal
12. **SSG**
 - Frequency range: 144 MHz and 430 MHz band.
 - Modulation: AM and FM MOD.
 - Output level: -20 dB to 100 dB
13. **Dummy Load**
 - 8 Ω , 5W (approx.)
14. **Noise Generator**
 - Must generate ignition-like noise containing harmonics beyond 450 MHz.
15. **Sweep Generator**
 - Sweep range: 144 MHz and 430 MHz bands
16. **Tracking generator**

Preparation

- 1) Unless otherwise specified. Knobs and switches should be set as follows **Table 19**.

POWER SW	ON	SSB MIC VR	MIN
SEND/REC SW	REC	RIT VR	CEN
VOX/MAN SW	MAN	IF SHIFT VR	CEN
ALC/CEN/RF/S SW	RF/S	SQUELCH VR	MIN
NB SW	OFF	RF GAIN VR	MAX
LOW/HIGH SW	HIGH	AF GAIN VR	MIN
PRIO.M $\text{\textcircled{9}}$	OFF	F.STEP SW	OFF
PRIO.M $\text{\textcircled{10}}$	OFF	RIT SW	OFF
TX-OFFSET SW	SIMP	SCAN SW	OFF
TONE SW	OFF	MS 144 SW	OFF
MODE SW	USB	MS 430 SW	OFF
FUNCTION SW	A	MR SW	OFF
MEMORY	1	F.LOCK SW	OFF

Table 19

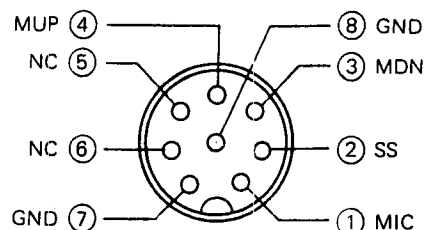


Fig. 17 MIC terminals (view from front panel side)

- 2) Use an insulated adjusting rod to adjust trimmers and coils.
 - 3) To prevent damaging SSG, never set the stand by switch to SEND while adjusting the receiver section.
 - 4) Be sure to turn the power and VOX switches OFF before connecting the power cable to a power source.
- Note:** The set enters the transmission mode for an instant when the power switch is turned ON with the VOX - switch ON.
- 5) SSG output levels are those at the time the output terminal is open.

ADJUSTMENT

GENERAL ADJUSTMENT

Item	Condition	Measurement			Adjustment			Specification	Remarks	
		Test equipment	Unit	Terminal	Unit	Parts	Method			
1. Voltage adjustment (1)	1) Connect the AC power to the POWER terminal on the rear panel.									
	2) POWER SW : ON SEND/REC SW : REC	Digital voltmeter	AVR	FB	AVR	VR1	13.8V	±0.1V		
2. Voltage adjustment (2)	1) Connect the DC power to the POWER terminal on the rear panel. (DC 13.8V)									
	2) CALL SW : ON SEND/REC SW : SEND REC	Digital voltmeter	AVR	43T	AVR	VR2	9.0V			
3. Voltage check	1) Same as above.	Digital voltmeter	AVR	PL8				8.0V±0.3V		
				8C				8.2V±0.3V		
				8R				8.3V±0.3V		
	2) SEND/REC SW : SEND							Less than 0.5V		
	3) SEND/REC SW : REC	Control	-6					-6.0V±0.2V		
				5V (A)				5.0V±0.2V		
				5V (B)				5.0V±0.2V		
	4) MODE SW : FM CH	Control	FCH					5.0V±0.2V		
	5) MODE SW : FM, USB, CW, LSB			FCH				0V		
	6) PRIO.M (9) : ON PRIO.M (10) : ON	AVR	14C					8.3V		
7) SEND/REC SW : SEND	14R						8.3V			
8) SEND/REC SW : REC PRIO.M (9) : OFF (f : 433.000.0 MHz)	14T						9.0V			
	43C						8.3V			
	43R						8.3V			
4. SCAN.W	1) Check the voltage at each test point, switching the SCAN W SW as shown at right.	Digital voltmeter	Control (IC2)	SCAN.W SW						
					0.5	1	3	5	10	
				TP1	0V	5V	5V	5V	0V	
				TP2	0V	0V	5V	0V	5V	
				TP3	0V	0V	0V	5V	5V	
5. Voltage check	1) MODE SW : FM SEND/REC SW : SEND REC	Digital voltmeter	IF	4FT					9.1V	
				4F5					5.0V	
	2) SEND/REC SW : REC			MODE SW						
					LSB	CW	USB	FM	FM CH	
				FMB	0	0	0	8.2	8.2	
				CWB	0	8.2	0	0	0	
				SCB	7.6	7.6	7.6	0	0	
				LSB	8.2	0	0	0	0	
				USB	0	0	8.2	0	0	
				SSB	7.6	0	7.6	0	0	

For Service Manuals Contact
MAURITRON TECHNICAL SERVICES
 8 Cherry Tree Rd, Chinnor
 Oxon OX9 4QY
 Tel: 01844-351694 Fax: 01844-352554
 Email: enquiries@mauritron.co.uk

ADJUSTMENT

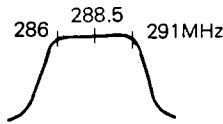

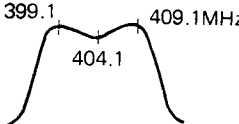
Item	Condition	Measurement			Adjustment			Specification	Remarks				
		Test equipment	Unit	Terminal	Unit	Parts	Method						
	3) SEND/REC SW : REC only	Digital voltmeter	IF	MODE SW									
				LSB	CW	USB	FM	FM CH					
	FMR			0	0	0	8.3	8.3					
	SCR		8.3	8.3	8.3	0	0						
	4) SEND/REC SW : SEND only		MODE	FMT	0	0	0	9.0			9.0		
	CWT	0		9.0	0	0	0						
5) SEND/REC SW : REC		IF	RG3	IF	VR3	3.7V	±0.05V						
6) HI/LOW SW : HI SEND/REC SW : SEND		144 Final	DB				12.5V±0.4V						
7) MODE SW : FM HI/LOW SW : LOW				144 Final	VR4	2.5V	±0.1V						
6. CAR	1) MODE SW : USB IF SHIFT VR : Center • MODE SW : LSB • MODE SW : FM	RF V.M	PLL	CAR	CAR	L6	Adjust the core for the maximum reading, then turn it outward until a reading of 0.3V is obtained.	0.3V±0.01V	Be sure to set the core for the maximum reading.				
								0.3V±0.02V		Check			
								0.3V±0.03V					
	2) MODE SW : USB : LSB : FM	Frequency counter	PLL	TP6	CAR			TC1	10.6965 MHz	±10 Hz			
								TC2	10.6935 MHz	±10 Hz			
								TC3	9.415 MHz	±50 Hz			
								VR1	10.695 MHz	±10 Hz			
								VR2	10.6965 MHz	±10 Hz			
								VR3	10.6957 MHz	±10 Hz			
	3) SEND/REC SW : SEND MODE SW : FM : USB : CW												
7. IF SHIFT check	1) MODE SW : USB SEND/REC SW : REC	Frequency counter	PLL	TP6			Turn the IF SHIFT VR to maximum and minimum.	More than ±1.0 kHz	No function in the FM mode.				
	2) MODE SW : USB SEND/REC SW : SEND							Not shifted.					
8. Reference oscillator frequency	1) BAND SW : 430 MODE SW : FM CH	Frequency counter	PLL	TP9	PLL	TC4	10.240 MHz	±10 Hz					
9. PLL	1) Disconnect connector No. 27 (PLL unit). SEND/REC SW : SEND	RF V.M	PLL	TP7	PLL	T8	Turn the core outward until oscillation stops, then turn it inward exactly 1/2 turn beyond the point at which oscillation restarts. (0.32V)		Values in parentheses below are for reference.				
										TP3	T9,10	MAX (Repeat)	(0.15V)
											TC3	97.293 MHz	±50 Hz
	2) Frequency : 439.999.9 MODE SW : FM	DC V.M		TP10	L22	2.0V	±0.1V						

ADJUSTMENT

Item	Condition	Measurement			Adjustment			Specification	Remarks	
		Test equipment	Unit	Terminal	Unit	Parts	Method			
	3) Frequency : 430.000.0	DC V.M	PLL	TP10	PLL	L22		Less than 4.0V (3.5V)	Check	
	4) Frequency : 430.010.0 Insert connector No. 27.	RF V.M		TP4		T6,7	MAX (Repeat)	(0.06~0.07V)	(0.1~0.15V)	Repeat adjustment of T2 through T4 several times.
				TP2		T2~6 T9~10				
	5) MODE SW : FM CH Frequency : 439.9875 Frequency : 430.000	DC V.M		TP8		TC2	1.5V	±0.1V	The voltage varies when the shielding case is removed.	
								Less than 6.5V (6.0V)		
	6) Frequency : 430.000 430.0125→ 430.025.... (.... 430.025→ 430.0125) in 12.5 kHz steps MODE SW : FM Slowly shift the VFO frequency from 430.000.0	Frequency counter	PLL	D2				113.135 MHz ±100 Hz	Check	
										The frequency changes in 12.5kHz step.
	7) MODE SW : FM CH SEND/REC SW : REC Store 430.00 in Memory CH1. MR SW : ON MODE SW : USB MODE SW : CW SEND/REC SW : SEND MODE SW : LSB	Frequency counter	PLL	D2				113.135 MHz ±200 Hz		
										113.1365 MHz ±100 Hz
										113.1365 MHz ±100 Hz
										113.1357 MHz ±100 Hz
										113.1335 MHz ±100 Hz
10. PLL output	1) MODE SW : FM CH Frequency : 433.00 SEND/REC SW : SEND	RF V.M	PLL	TP1	PLL	T1	MAX	(0.1V)		
	2) Connect TP4 to GND. (Be sure to disconnect TP4 from GND after the check).	DC V.M		UL					Less than 0.1V	Check
				ULB					5.0V	
				UL					1.2V	
				ULB					Less than 0.1V	
3) MODE SW : FM CH Frequency : 145.00 SEND/REC SW : SEND	RF V.M		LT	PLL	TC1	MAX	(0.5~0.8V)			
			3LO					More than 0.4V	Check	
Note : Reinstall the PLL shielding case if it has been removed, then perform adjustment in Step 5.5).										

For Service Manuals Contact
MAURITRON TECHNICAL SERVICES
 8 Cherry Tree Rd, Chinnor
 Oxon OX9 4QY
 Tel: 01844-351894 Fax: 01844-352554
 Email: enquiries@mauriron.co.uk

ADJUSTMENT

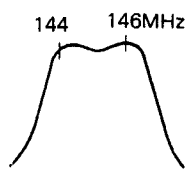
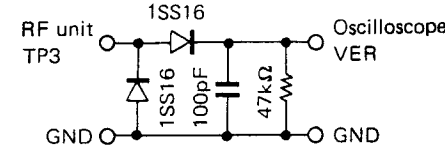
Item	Condition	Measurement			Adjustment			Specification	Remarks		
		Test equipment	Unit	Terminal	Unit	Parts	Method				
11. 430 HET	1) MODE SW : FM CH Frequency : 439.9875 SEND : REC SW : REC	RF V.M	HET	TP4	HET	L12	Turn the core outward until oscillation stops, then turn it inward exactly 1/2 turn beyond the point at which oscillation restarts. (0.048V)				
	2) Turn VR1 on the HET unit all the way to the right. Short the L11 lead (430 HET unit) to GND.	Tracking generator Spectrum analyzer Sweep generator Linear Detector Oscilloscope			TP4		TC4~8	Adjust TC4~8 so that the waveform shown at right is observed when the output is maximum.			
					TP5						
	3) Set TC1 on the RF unit to minimum. 	Tracking generator Spectrum analyzer Sweep generator Linear Detector Oscilloscope		HET	TP1	HET	HB1 HB2 TC1	Adjust HB1, HB2 and TC1 so that the waveform shown at right is observed when the output is maximum.			
				RF	TP4						
	4) Disconnect L11 from GND. Frequency : 439.9875	RF V.M	HET		TP6				More than 0.8V	Check	
									Frequency : 430.00	More than 0.8V	
	5) Frequency : 430.00					HET	VR1	0.6V			
							Frequency counter	TC2	286.0 MHz	±100 Hz	Repeat adjustment
								TC3	291.0 MHz	±100 Hz	
Frequency : 439.9875	RF V.M	RF		TP3				More than 0.6V	Check		
Frequency : 433.00				TP4	TC1	Adjust the band-edge levels so that they are the same.	(0.06V)				
6) Frequency : 430.00 439.9875											

CONFIRM OF RESET VOLTAGE

Item	Condition	Measurement			Adjustment			Specification	Remarks
		Test equipment	Unit	Terminal	Unit	Parts	Method		
1. Setting	1) Connect an AVR (5V) to both pins 1 and 8 of connector of the control unit.								
	2) Set VR1 to maximum.								
2. Reset voltage	1) Decrease the AVR voltage.	DC V.M	Control	Ⓢ 5V			The frequency display should go out when the AVR voltage is 3.95~4.5V.	Check	
	2) In case the frequency display does not go out after the AVR voltage drops below 3.95V.				Control	VR1	Set the AVR voltage to 3.95V and adjust VR1 so that the frequency display goes out.		


ADJUSTMENT

RECEIVER ADJUSTMENT (2m BAND)

Item	Condition	Measurement			Adjustment			Specification	Remarks
		Test equipment	Unit	Terminal	Unit	Parts	Method		
1. BPF	1) MODE SW : FM CH BAND SW : 144 Pull connector LR out from the RF unit.	Sweep generator Linear detector Oscillo- scope	RF	144 ANT TP3	RF	HB(D) HB(E)	Adjust HB(D) and HB (E) so that the wave- form shown at right is observed. (The level at 144 MHz is a little lower than that at 146 MHz).		Insert connector LR after adjustment.
									
2. Sensitivity	1) Turn the core of L6 in the IF unit outward as far as possible. Connect SSG to the 144 ANT connector. (MOD : 1 kHz, FM DEV : 5 kHz).	RF V.M	IF	TP1	IF	L30,31	MAX	(0.3V)	
		Frequency counter					TC3	41.560 MHz	±1 kHz
3. S meter reading in the FM mode	1) MODE SW : FM CH Frequency : 145.0125 SSG output : 60 dBμ 2) Adjust the SSG output level so that the S meter reads "5". 3) SSG output : 40 dBμ	SSG S meter		144 ANT	IF	L1~3	Adjust specified parts repeatedly to obtain the maximum S meter reading.	Lower the SSG output level so that the S meter reads "3".	NOTE : This ad- justment influences upon sensitivity in the 430 MHz band.
					IF	L1,2 L30,31 L3~5			
						VR4	Adjust VR4 so that the S meter reads "10".		
						L6	Turn the core of L6 clockwise until the S meter reads "2".		
					L3~L5	Adjust L3~5 for the maximum S meter reading.		Repeat the ad- justment.	
					VR4	Adjust VR4 so that the S meter reads "10".	Perform this ad- justment with set placed right- ly side up.		
4. Sensitivity in the SSB (CW) mode	1) MODE SW : USB SSG output : -14 dBμ	AF V.M SSG		EXT SP 144 ANT	IF	L7,14 L16,17	AF output : MAX Repeat the ad- justment.	Turn the core of L14 a little to the left if noise makes adjustment difficult.	
5. S meter zero adjustment	1) IF unit VR1 : center SSG output : OFF	S meter			IF	VR2	Adjust VR2 so that the S meter needle points exactly to "1" on the RF scale		
	2) Turn RF GAIN VR to the left until the S meter needle points to "4" on the RF scale.					VR2	Adjust VR2 so that the S meter needle points exactly to "1" on the RF scale.		

For Service Manuals Contact
MAURITRON TECHNICAL SERVICES
 8 Cherry Tree Rd, Chinnor
 Oxon OX9 4QY
 Tel: 01844-351694 Fax: 01844-352554
 Email: enquiries@mauritron.co.uk

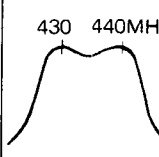
ADJUSTMENT

Item	Condition	Measurement			Adjustment			Specification	Remarks		
		Test equipment	Unit	Terminal	Unit	Parts	Method				
6. RX carrier supression	1) RF GAIN VR : MIN	RF V.M	IF	D17	IF	TC1	MIN	(0.01 V)			
7. S meter reading in the SSB (CW) mode	1) SSG output : 20 dB μ Adjust the SSG frequency for the maximum S meter reading.	S meter			IF	VR1	"S-9"				
	2) SSG output : 0 dB μ					L14	Turn the core of L14 outward until the S meter reads "S1".				
	3) SSG output : 20 dB μ					VR1	Adjust VR1 so that the S meter reads "S9".				
8. N.B	1) SSG output : 10dB μ	DC V.M	IF	TP2	IF	L9,10	MIN				
9. C.M	1) MODE SW : FM ALC/CEN-RF /S SW : ALC/CEN SSG output : OFF	DC V.M	IF	TP4 TP3	IF	VR12	Adjust VR12 so that the level at TP3 is equal to that at TP4.	If this is not possible, a difference between the two levels of within 0.6V is permissible.	No signal may be applied during this adjustment.		
	2) Frequency : 145.0125 Frequency : 435.0125	Center meter			IF	VR5	Center meter : center				
						VR13	Center meter : center				
	3) SSG output : 20 dB μ (MOD, 1 kHz) (DEV, 5 kHz) Fine-adjust the SSG frequency so that the maximum AF output is obtained. Then, turn MOD OFF.						Confirm that the center meter needle swings beyond the range beyond the range between the two E's of the CENTER marking as the VFO dial is rotated right and left.	Check			
10. RIT,CW SHIFT	1) MODE SW : USB	Frequency counter	IF	TP1	IF	TC3	41.560 MHz	± 100 Hz			
	2) RIT SW : ON RIT VR : Center					VR9	Adjust VR9 so that the frequency is within 41.560 MHz \pm 20 Hz.		The RIT indicator lights.		
	Turn RIT VR all the way to the right and left.									The frequency must be varied by more than ± 1.5 kHz.	
	3) MODE SW : CW RIT VR : Center RIT SW : OFF					CW shift	VR6	41.5592 MHz	± 20 Hz		
	4) RIT SW : ON					VR5	41.5592 MHz	± 20 Hz			

ADJUSTMENT

Item	Condition	Measurement			Adjustment			Specification	Remarks
		Test equipment	Unit	Terminal	Unit	Parts	Method		
	5) Confirm that SEND/ REC SW is set to SEND, then set it to REC.	Frequency counter	IF	TP1	CW Shift			41.560 MHz	Check
11. Sensitivity check	1) MODE SW : USB SSG output : -8 dB μ Frequency : 144.0125 or 145.9875	SSG AF V.M Oscillo- scope		144 ANT EXT SP				S/N : better than 10 dB	Check
	2) MODE SW : FM CH SSG output : -6 dB μ Frequency : 144.00 or 145.9875							S/N : better than 20 dB.	

RECEIVER ADJUSTMENT (70cm BAND)

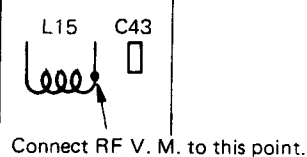
Item	Condition	Measurement			Adjustment			Specifications	Remarks
		Test equipment	Unit	Terminal	Unit	Parts	Method		
1. BPF	1) MODE SW : FM CH BAND SW : 435 Pull connector 4LR out from the RF unit.	Sweep generator Linear detector Oscillo- scope	RF	430 ANT TP1	RF	HB (A) HB (B) HB (C)	Adjust HB (A), HB (B) and HB (C) so that waveform shown at right is max- imized.		Insert connector 4LR after complet- ing the adjustment.
2. Sensitivity	1) Frequency : 435.0125 Connect the SSG to the 430 ANT con- nector . (MODE : 1 kHz) (DEV : 5 kHz)	S meter			RF	TC1	MAX		NOTE : Adjustment of sensitivity of the circuits following the IF stage is per- formed along with the 144 MHz band sensitivity adjust- ment.
	Adjust the SSG output so that the S meter reads "3".	RF V.M	RF	TP4 (R30)	HET	TC1	Adjust TC1 so that the RFV.M reading at 430.00 MHz is equal to that at 439.9875 MHz.	(0.06V)	
3. Sensitivity check	1) MODE SW : USB SSG output : -8 dB μ Frequency : 430.000.0 or 433.0125	SSG AF V.M Oscillo- scope		430 ANT EXT SP				S/N : 10 dB or better	Check
	2) MODE SW : FM CH SSG output : -6 dB μ Frequency : 430.00 or 439.9825							SSG AF V.M Oscillo- scope	

For Service Manuals Contact
MAURITRON TECHNICAL SERVICES
 8 Cherry Tree Rd, Chinnor
 Oxon OX9 4QY
 Tel: 01844-351894 Fax: 01844-352554
 Email: enquiries@maurtron.co.uk

ADJUSTMENT

TRANSMITTER ADJUSTMENT (2m BAND)


Item	Condition	Measurement			Adjustment			Specification	Remarks				
		Test equipment	Unit	Terminal	Unit	Parts	Method						
1. Setting	1) Rear panel 144 ANT connector : power meter POWER connector : DC P.S. (13.8V)												
2. Power output	1) MODE SW : CW Frequency : 145.000.0 CAR VR : MAX Turn VR3 in the 144 final unit all the way to the left. TX unit Turn VR1 all the way to the left. Turn VR2 all the way to the left. Disconnect connector 14D and connect a 1W power meter. SEND/REC SW : SEND	RF V.M	IF	D41	IF	L24	Repeat adjustment for the maximum power meter reading.	(0.26V)					
				TIF		L33~36		(0.1V)					
				TX	D2	TX		L1,2	(0.7V)				
					D3			L4,6	(0.2V)				
					L15			L7~9 L11					
									TX	L1			
									IF	L35,36			
				TX	L2,4,6								
				TX	L7~9 L11 TC1								
	2)	Power meter (1W)	TX	14D		TC1,2 L11	Repeat adjustment for the maximum power meter reading.	0.16W or more					
	Disconnect the power meter from terminal 14D on the TX unit and connect the cable connector.	Power meter (30W)		144 ANT				17W or more	Check				
					TX	VR1	12W	Source current : 4.2A or less.					
3. 144 protection (1)	1) SEND/REC SW : SEND	Multi-meter	144 final	TP	144 final	VR2	MIN	0.3V or less					
4. 144 RF meter	1) ALC/CEN-RF/S SW : RF/S	RF meter			144 final	VR1	Adjust VR1 so that the meter reads "8" on the RF scale.						
5. 144 protection (2)	1) Short circuit the 144 ANT connector. SEND/REC SW : SEND	Ampere meter			144 final	VR3	3A	Confirm that the source current is about 1.7A when the ANT terminal is open.	Perform this check quickly.				



ADJUSTMENT

Item	Condition	Measurement			Adjustment			Specification	Remarks
		Test equipment	Unit	Terminal	Unit	Parts	Method		
6. 144 low power	1) MODE SW : FM CH Frequency : 145.00	Power meter		144 ANT			Turn VR4 on the 430 final unit fully clockwise and confirm that the power output is 3W or less.	Check	
	LOW/HIGH SW : LOW SEND/REC SW : SEND	Power meter (3W)			430 final	VR4	1.2W	The RF meter reading must be "4" or less.	
	2) Frequency : 144.00 or 145.9875 SEND/REC SW : SEND				TX	L6	Fine-adjust L6 so that the power output is the same at both frequencies.	0.5~4W	

TRANSMITTER ADJUSTMENT (70cm BAND)

Item	Condition	Measurement			Adjustment			Specification	Remarks
		Test equipment	Unit	Terminal	Unit	Parts	Method		
1. Setting	1) Rear panel 430 ANT connector : power meter POWER connector : DC P.S. (13.8V)								
2. Power output	1) MODE SW : CW CAR VR : MAX LOW/HIGH SW : HIGH Turn VR3~VR5 on the 430 final unit fully clockwise. TX unit • TC4 : Minimum • Disconnect connector 4LT • Disconnect connector 43D and connect the power meter (1W). SEND/REC SW : SEND	Tracking generator Spectrum analyzer Sweep generator Oscilloscope	TX	TP1 43D	TX	HB (1) HB (2) TC3,4	Adjust HB (1), HB (2), TC3 and TC4 so that the waveform shown at right is maximized. (The shoulder on the 430 MHz side must be sharper than that on the other side).		
	2) Disconnect the power meter from terminal 43D on the TX unit and connect the cable connector.	Power meter		430 ANT	430 final	L3	MAX Adjust the coil pitch for maximum power output.		17W or more
					TX	VR2	12W	Source current : 4.8A or less.	
3. 430 protection (1)	1) SEND/REC SW : SEND	Multi-meter	430 final	TP	430 final	VR2	MIN	1.0V or less	

For Service Manuals Contact
MAURITRON TECHNICAL SERVICES
 8 Cherry Tree Rd, Chinnor
 Oxon OX9 4QY
 Tel:- 01844-351694 Fax:- 01844-352554
 Email:- enquiries@mauritron.co.uk

ADJUSTMENT

Item	Condition	Measurement			Adjustment			Specification	Remarks
		Test equipment	Unit	Terminal	Unit	Parts	Method		
4. 430 RF meter	1) ALC/CEN-RF/S SW : RF/S SEND/REC SW : SEND	RF meter			430 final	VR1	Adjust VR1 so that the RF meter reads "8".		
5. 430 protection (2)	1) Open the 430 ANT connector terminal. TX unit VR3 : CEN SEND/REC SW : SEND	Ampere meter			430 final	VR3	3A		Perform adjustment quickly.
6. 430 low power	1) MODE SW : FM CH Frequency : 435.00 LOW/HIGH SW : LOW IF unit VR6 : 2 o'clock position (viewed from the front panel side).	Power meter (30W)		430 ANT			Turn VR5 on the 430 final unit fully clockwise and confirm that the power meter reading is 3W or less.		Check
		Power meter (3W)			430 final	VR5	1.2W	Source current : 2.5A or less RF meter reading : "4" or less	
	2) Frequency : 430.00 or 439.9875							0.5~4W	Check

TRANSMITTER ADJUSTMENT (COMMON)

Item	Condition	Measurement			Adjustment			Specification	Remarks
		Test equipment	Unit	Terminal	Unit	Parts	Method		
1. Carrier suppression	1) MODE SW : USB, LSB Frequency : 145.000.0 CAR VR : MIN SSB MIC VR : MIN SEND/REC SW : SEND	Spectrum analyzer (RF V.M) Power meter		144 ANT	IF	VR7 TC2	MIN	-55 dB or less	
	2) BAND SW : 435 MODE SW : USB and LSB							-55 dB or less	
2. ALC meter	1) MODE SW : USB Frequency : 145.000.0 LOW/HIGH SW : HIGH ALC/CEN-RF/S SW : ALC/CEN	ALC meter			IF	VR10	Set VR 10 to mechanical center.		

For Service Manuals Contact
MAURITRON TECHNICAL SERVICES
 8 Cherry Tree Rd, Chinnor
 Oxon OX9 4QY
 Tel:- 01844-351694 Fax:- 01844-352554
 Email:- enquiries@mauritron.co.uk

ADJUSTMENT

Item	Condition	Measurement			Adjustment			Specification	Remarks
		Test equipment	Unit	Terminal	Unit	Parts	Method		
2. ALC meter	2) MODE SW : CW CAR VR : MAX SEND/REC SW : SEND	ALC meter			IF	VR11	Adjust VR11 so that the meter reads "10" on the RF scale.		
	Check at the following fre- quencies. 144.000.0 or 145.990.0 430.000.0 or 439.990.0							"S9+40 dB" or more on the S scale	
	3) MODE SW : USB Connect AG to the MIC ter- minal. (1.5 kHz, 2mV) Check at the following fre- quencies. 144.000.0 or 145.990.0 430.000.0 or 439.990.0	ALC meter						The ALC meter needle should start swinging be- fore SSB MIC VR is turned be- yond the 3 o'clock position.	
3. Deviation	1) MODE SW : FM Frequency : 145.000.0 FM MIC VR : MAX Connect AG to the MIC ter- minal. (1 kHz, 20mV)	Linear detector		144 ANT (Direction- al coupler)	IF	VR8	5 kHz		
	2) MIC input level : 2 mV				AVR	FM MIC	3.5 kHz deviation should be obtain- ed before FM MIC VR is turned be- yond the 3 o'clock position.		Check
4. VOX (ANTI VOX) operation check	1) MODE SW : USB VOX GAIN VR : MIN ANTI VOX VR : MIN Connect AG to the MIC ter- minal. (1.5 kHz, 2mV)						1) VOX should operate before VOX GAIN VR is turned beyond the 12 o'clock position. 2) The VOX relay holding time de- creases as VOX DELAY VR is turned counterclockwise (and vice versa).		Check
	2) Confirm operation in the modes shown at right.							USB Operate FM CW Not operate	
	3) MODE SW : USB ANTI VOX VR : MIN						VOX is not operate when turn VOX GAIN VR at condition of ANT VOX voltage (EXT. SP) is 200mV.		

ADJUSTMENT

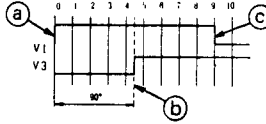
Item	Condition	Measurement			Adjustment			Specifications	Remarks
		Test equipment	Unit	Terminal	Unit	Parts	Method		
5. SIDE TONE	1) MODE SW : CW SEND/REC SW : REC SIDE TONE VR : MAX AF GAIN VR : Center Connect the key to the terminal KEY rear panel.	AF V.M		EXT. SP	AVR	VR5	Mechanical center.	The side tone should be heard when the key is pressed. 0.3~1.26V/ 8Ω	
	2) SEND/REC SW : SEND	Power meter					The side tone should be heard and transmission start when the key is pressed.	Check	
	3) SEND/REC SW : REC VOX/MAN SW : VOX DELAY VR : MIN	Power meter					The side tone should be heard and transmission start when the key is pressed. Reception should start immediately when the Key is released.		
6. Frequency response in the SSB mode	1) MODE SW : USB SSB MIC VR : CEN Connect AG to the MIC terminal. (AG1 : 400 Hz, 1 mV AG2 : 2.6kHz, 1 mV) SEND/REC SW : SEND	Oscilloscope RF V.M (power meter)		ANT	CAR	TC1	Adjust TC1 so that the waveform shown below is observed.		NOTE : Check carrier suppression after this adjustment.
	2) MODE SW : LSB SEND/REC SW : SEND					TC2			

ENCODER ASS'Y ADJUSTMENT

Item	Condition	Measurement			Adjustment			Specifications	Remarks
		Test equipment	Unit	Terminal	Unit	Parts	Method		
1. Setting	1) POWER terminal on the rear panel : AC Mount a motor in place of the VFO knob.	Oscilloscope	Control	⑤ 5- V1			Set the sweep control of the oscilloscope to 0.2msec/cm. Adjust the motor speed so that position (a) ~ (b) to 8 graduations on the oscilloscope screen.	Motor speed : 300 rpm.	Ⓒ point may be at any position. If a motor is not available, turn the VFO knob by hand to check the duty ratio.

For Service Manuals Contact MAURITRON TECHNICAL SERVICES
8 Cherry Tree Rd, Chinnor Oxon OX9 4QY
Tel:- 01844-351694 Fax:- 01844-352554
Email:- enquiries@mauritron.co.uk

ADJUSTMENT

Item	Condition	Measurement			Adjustment			Specification	Remarks
		Test equipment	Unit	Terminal	Unit	Parts	Method		
2. V1 duty ratio	1) Set the sweep control of the oscilloscope to 0.1 msec/cm.	Oscilloscope	Control	② 5- V1			Turn the variable control of the oscilloscope so that point (b) is positioned to graduation 9.		
	2)	DC V.M			Encoder	VR3	2.7V	±0.1V	
3. V3 duty ratio	1) same as above.	Oscilloscope DC V.M	Control	② 3- V3	Encoder	VR2	2.7V	±0.1V	
4. Phase difference between V1 and V3	1) Set the sweep control of the oscilloscope to 50μsec/cm. Do not turn the variable control.	Oscilloscope	Control	② 3- V3 ② 5- V1				Point (b) is positioned to graduation ④ ~ ⑤	Check
5. V5	1) Set the sweep control of the oscilloscope to 0.5 msec/cm.	DC V.M	Pulse generator	J1-C	Encoder	VR1	2.7V	±0.1V	
	2) MODE SW SW : FM CH						"H" level (5V) when encoder is stopped.	Check	

MICROPROCESSOR OPERATION CHECK

Item	Condition	Operation check
1. Reset	1) Remove the backup battery, if installed.	
	2) POWER SW : ON	"A 144,000.0" is displayed.
2. F.STEP	1) Slowly rotate the VFO knob through one turn.	The display value varies by 10 kHz as the VFO knob is rotated through one turn.
	2) F.STEP SW : ON Slowly rotate the VFO knob through one turn.	F. STEP LED lights. The display value varies by 100 kHz as the VFO knob is rotated through one turn.
	3) NORM/TIGHT SW : TIGHT	More force is required to turn the VFO knob than in the NORM setting.
	4) SEND REC SW : SEND Turn the VFO knob slowly	The ON AIR LED lights and the display varies.
3. FM CH	1) SEND REC SW : REC F.STEP SW : OFF MODE SW : FM CH Turn the VFO knob one click at a time.	The frequency changes by 12.5kHz every step, and changes 625kHz for one revolution of the VFO knob.

Item	Condition	Operation check
	2) F.STEP SW : ON Turn the VFO knob one click at a time.	The frequency changes by 5 kHz every step, and changes 25 kHz for one revolution of the VFO knob.
4. F.LOCK	1) F.LOCK SW : ON	The F. LOCK LED lights. The display does not change even if the VFO knob is rotated.
	2) F. LOCK SW : OFF	
5. BAND SW	1) Press BAND SW (UP) several times.	1) The 1 MHz digit display value increases by one every time the switch is pressed. 2) The buzzer sounds every time the switch is pressed.
	2) Hold down BAND SW (UP).	The 1 MHz digit display value increases continuously.
	3) Press BAND SW (DOWN) several times.	The 1 MHz digit display value decreases by one every time switch is pressed.

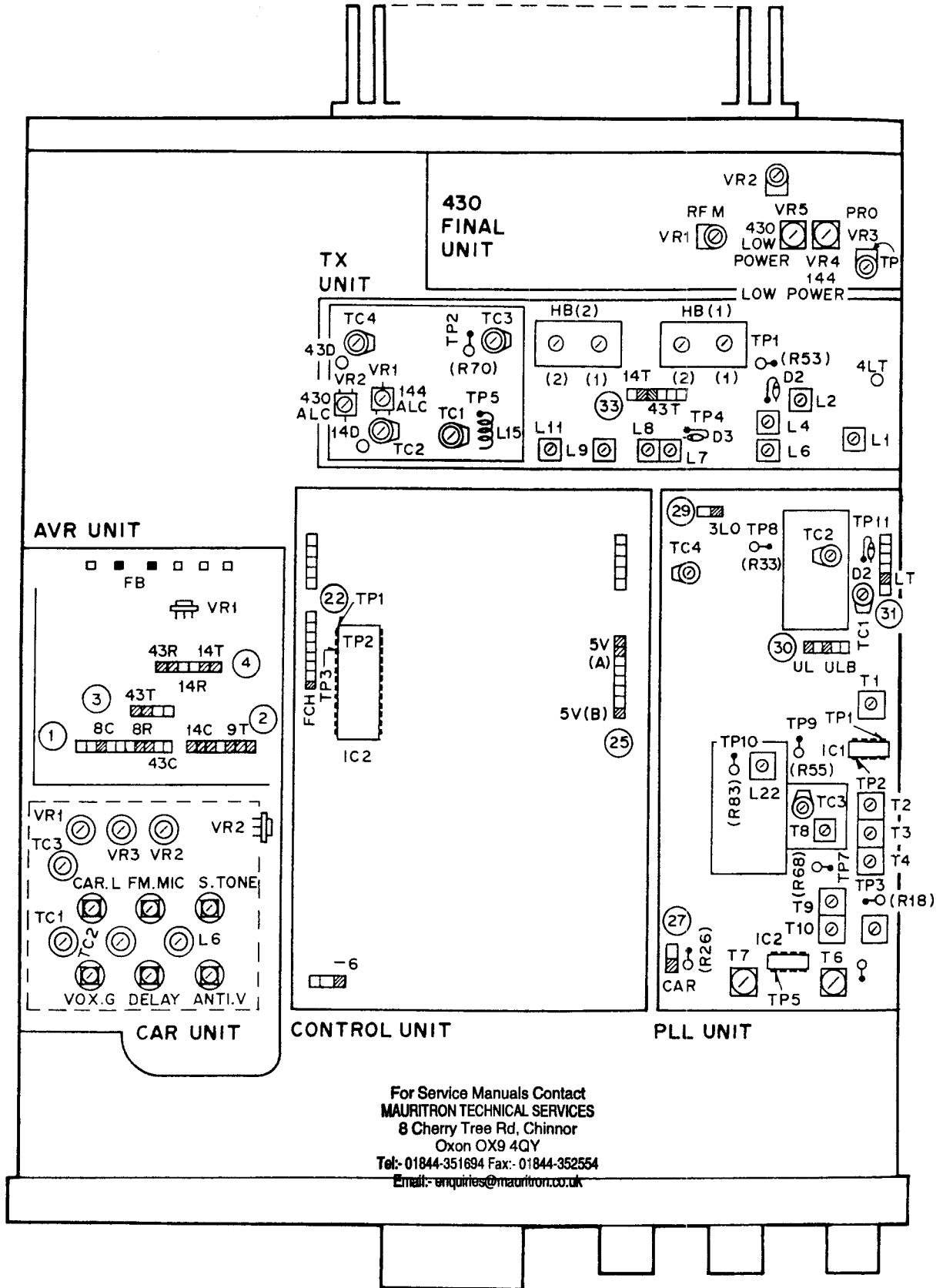
ADJUSTMENT

Item	Condition	Operation check	
	4) Hold down BAND SW (DOWN).	The 1 MHz digit display value decreases continuously.	
6. SCAN	1) MODE SW : FM SQL VR : MIN SCAN SW : ON	BUSY LED lights. Indication "A" flickers and the frequency varies scanning only when the SCAN SW is depressed.	
	2) Turn SQL VR until BUSY LED goes out.	Scan starts.	
	3) SEND/REC SW : SEND	Scan stops.	
	4) SCAN SW : ON	Scan does not start.	
	5) SEND/REC SW : REC SCAN SW : ON	Scan restarts.	
	6) HOLD SW : ON	Scan stops.	
7. PRIO. M	1) PRIO.M SW (10) : ON	"C 433.000.0" is displayed.	
	2) PRIO.M SW (9) : ON	"C 145.000.0" is displayed.	
	3) PRIO.M SW (9) (10) : : OFF		
8. MEM- ORY	1) 144 MS SW : ON	"C 145.000.0" is displayed. ("C" flickers).	
	2) 144MS SW : OFF 430MS SW : ON	"C 433.000.0" is displayed. ("C" flickers).	
	3) 430MS SW : OFF		
	4) MODE SW : FM CH VFO knob : 145.0125 MEMORY SW : 1 M SW : ON	The buzzer sounds when the M SW is pressed.	
	5) Store the following frequencies in memory. MEMORY SW VFO knob		
	2 144.0250 3 144.0375 4 144.0500 5 144.0625 6 430.0750 7 430.0875 8 430.1000 9 430.1125 10 430.1250		
9. MR	1) MR SW : ON MEMORY SW : 1	1 144.012.5 is displayed. 2 144.025.0 is displayed. 3 144.037.5 is displayed. 4 144.050.0 is displayed. 5 144.062.5 is displayed. 6 430.075.0 is displayed. 7 430.087.5 is displayed. 8 430.100.0 is displayed. 9 C 430.112.5 is displayed. 10 C 430.125.0 is displayed.	
	2) MR SW : OFF PRIO.M SW (10) ON	C 430.1250 is displayed.	
	3) PRIO.M SW (9) : ON	C 430.1125 is displayed.	
	4) PRIO.M SW (9) (10) : OFF		
10. MS	1) 144MS SW : ON	1 144.012.5 2 144.025.0 3 144.037.5 4 144.050.0 5 144.062.5 Memory channels should be scanned in this order. (The top letter on the display flickers.)	
	2) 144MS SW : OFF 430MS SW : ON	6 430.075.0 7 430.087.5 8 430.100.0 C 430.112.5 C 430.125.0 Memory channels should be scanned in this order. (The top letter on the display flickers.)	
	3) 144MS SW : ON (430MS SW : ON)	Memory channels 1 through 10 should be scanned in sequential order.	
	4) 144MS SW : OFF 430MS SW : OFF		
	11. VFO	1) POWER SW : OFF	
		2) POWER SW : ON VFO knob : 145.00	"A 145.00" is displayed.
3) FUNCTION SW : B		"b 144.00" is displayed.	
4) FUNCTION SW : A-R SEND/REC SW : REC SEND		"A 145.00" is displayed. "b 144.00" is displayed.	
5) FUNCTION SW : B-R SEND/REC SW : REC SEND		"b 144.00" is displayed. "A 145.00" is displayed.	
6) SEND/REC SW : REC FUNCTION SW : A			
12. B.U	1) VFO knob : 145.0125 Connect batteries (1.5V x 3) to terminal BC of the AVR unit.		
	2) POWER SW : OFF (2 sec or more).		
	3) POWER SW : ON	"A 145.0125" is displayed.	
13. UP/ DOWN	1) MODE SW : FM CH Connect the microphone to the MIC terminal.		
	2) Press the UP button on the microphone several times.	The buzzer sounds and the frequency increases by 12.5kHz every time the button is pressed.	
	3) Hold down the UP button on the microphone.	The frequency increases continuously.	
	4) Press the DOWN button on the microphone several times.	The frequency decreases by 12.5kHz every time the button is pressed.	
	5) Hold down the DOWN button on the microphone.	The frequency decreases continuously.	
	6) Disconnect the microphone from the MIC terminal.		

For Service Manuals Contact
MAURITRON TECHNICAL SERVICES
 8 Cherry Tree Rd, Chinnor
 Oxon OX9 4QY
 Tel: 01844-351694 Fax: 01844-352554
 Email: enquiries@mauriron.co.uk

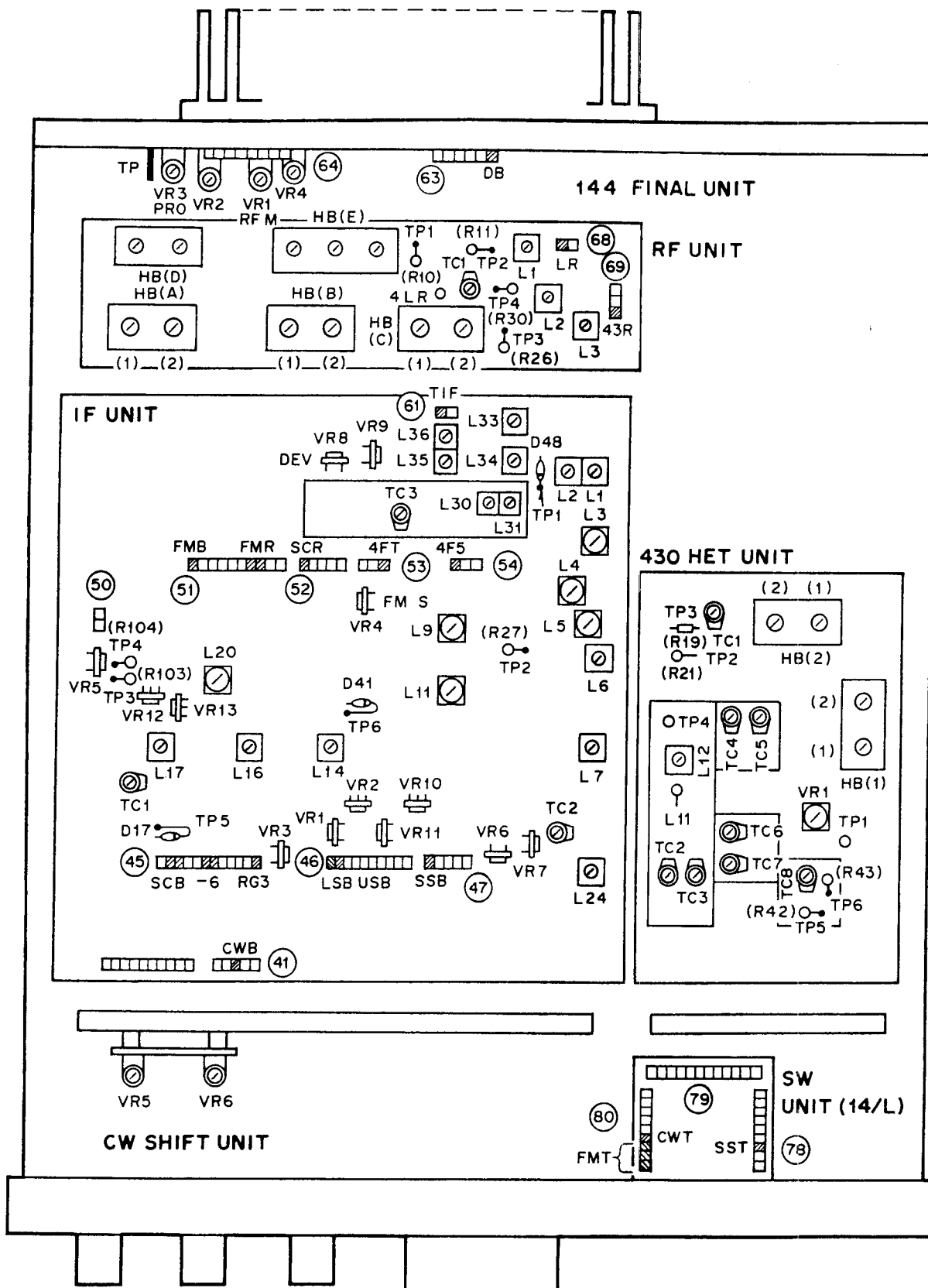
ADJUSTMENT

TOP VIEW



ADJUSTMENT

BOTTOM VIEW

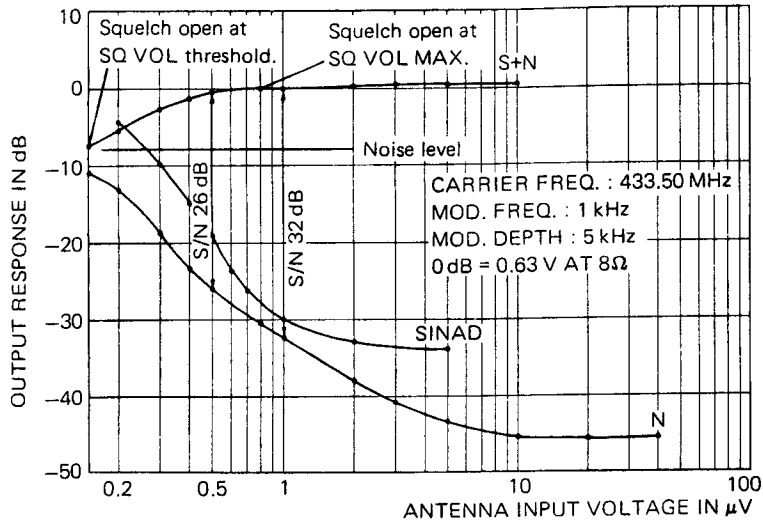


For Service Manuals Contact
MAURITRON TECHNICAL SERVICES
 8 Cherry Tree Rd, Chinnor
 Oxon OX9 4QY
 Tel: 01844-351694 Fax: 01844-352554
 Email: enquiries@mauritron.co.uk

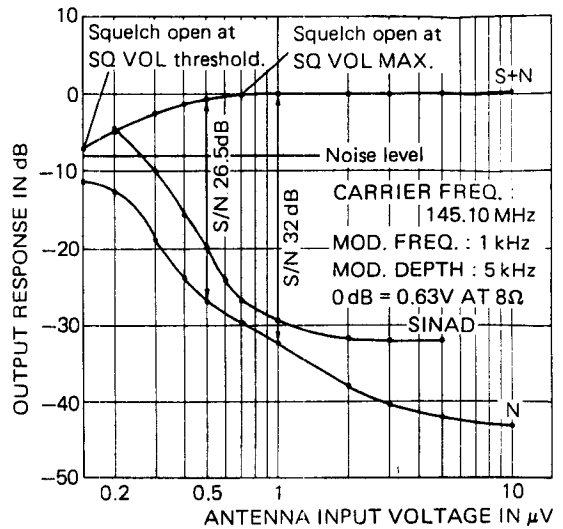
REFERENCE DATA

MODE : FM

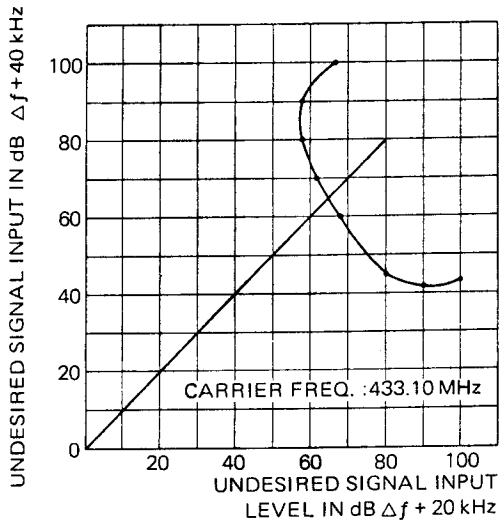
RX SENSITIVITY



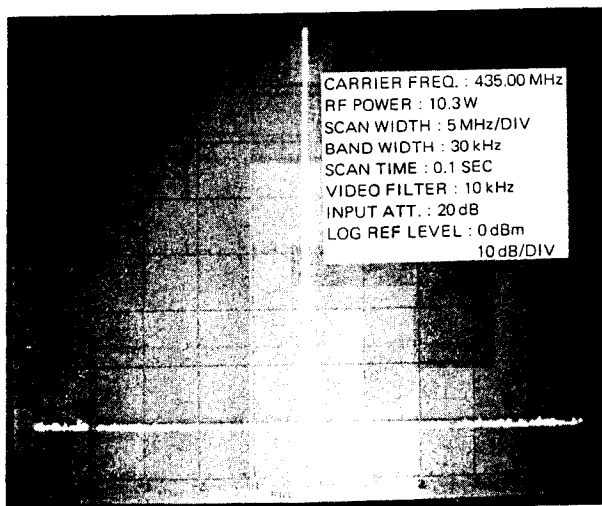
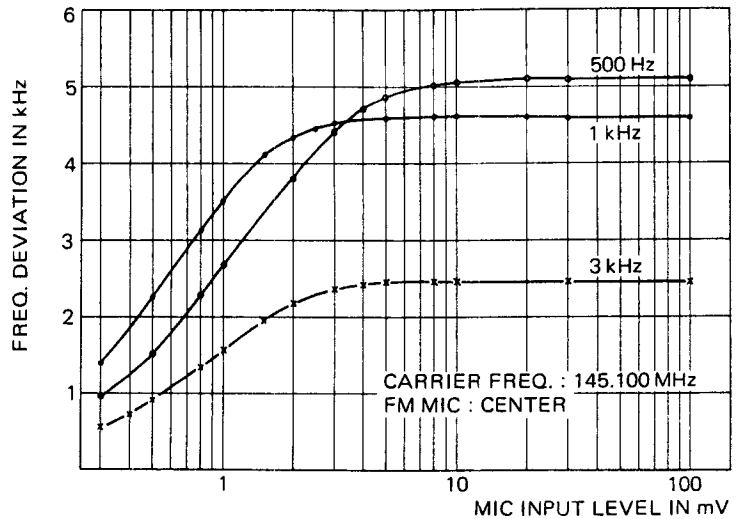
RX SENSITIVITY



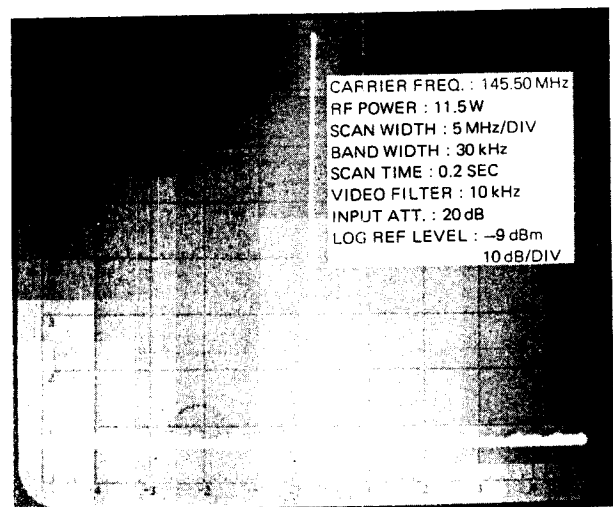
INTER MODULATION



DEVIATION



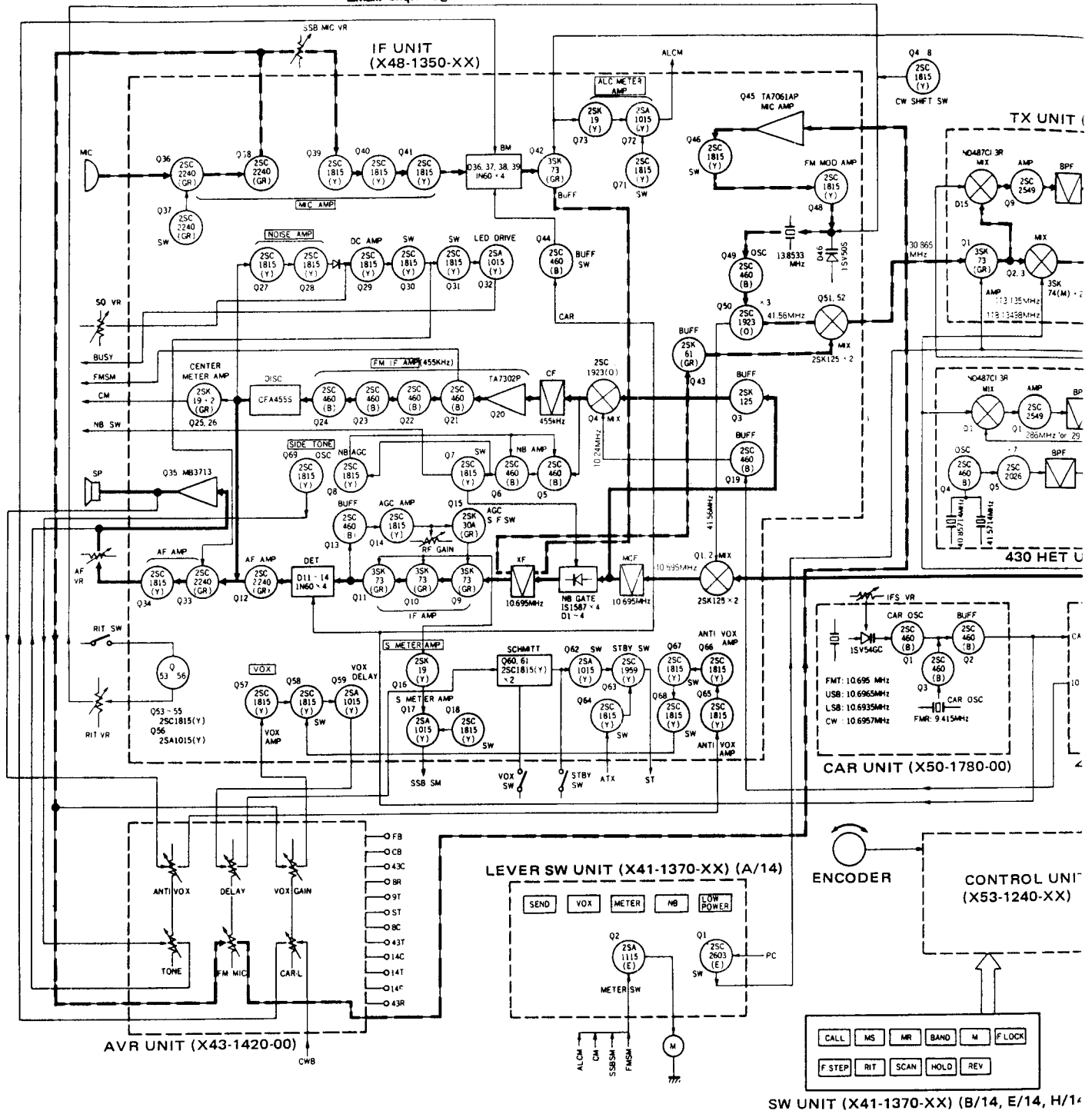
435.00MHz



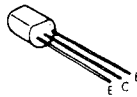
145.50MHz

For Service Manuals Contact
MAURITRON TECHNICAL SERVICES
 8 Cherry Tree Rd, Chinnor
 Oxon OX9 4QY
 Tel: 01844-351694 Fax: 01844-352554
 Email: enquiries@mauritron.co.uk

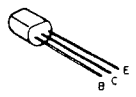
BLOCK C



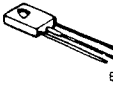
2SA1015
 2SC1815 2SC1959
 2SC1923 2SC2240



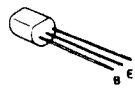
2SC2538-22-A



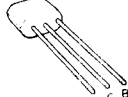
2SA496
 2SC496



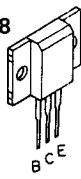
2SC2026
 2SC2549



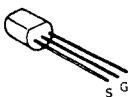
2SA1115
 2SC2603



2SD688



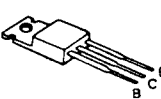
2SK30A
 2SK125



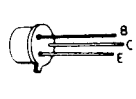
3SK73



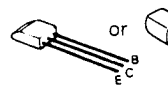
2SA1012



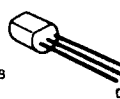
2SC2762



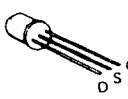
2SC458
 2SC460



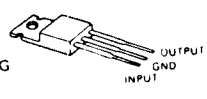
2SK61



2SK19



μPC78M05H
 μPC78M08H



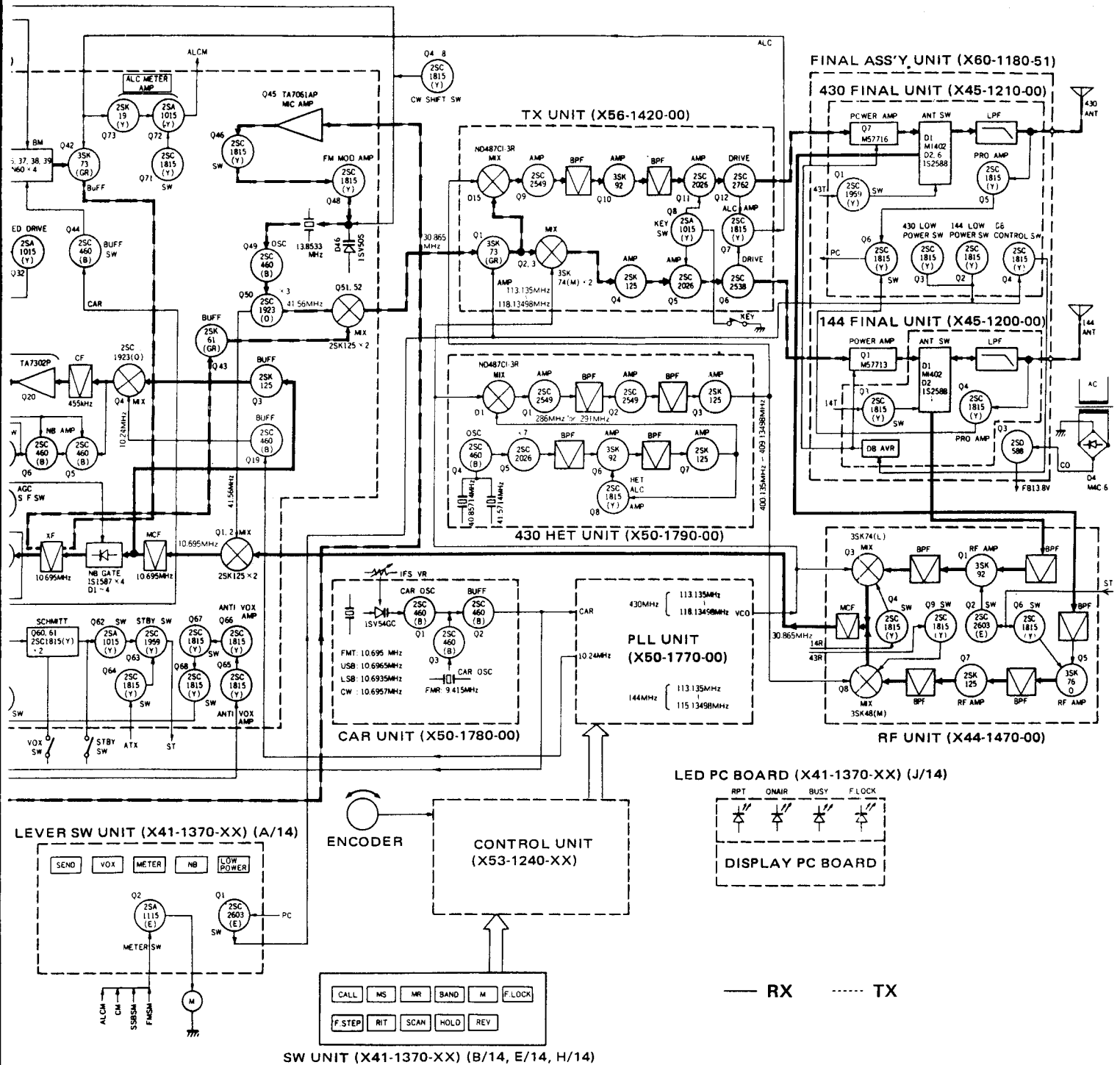
TA7061AP
 TA7302P



MB3756



BLOCK DIAGRAM/SP-71



- | | | | | | | | | | |
|------------------|--------------------|------------------------|---------------------|--------|--------|------------------------------------|-----------|--------|----------|
| 3C2026
3C2549 | 2SA1115
2SC2603 | 2SD688 | 2SK30A
2SK125 | 3SK73 | 3SK74 | 3SK48
3SK76
3SK76-0
3SK92 | ND487C1-R | VD1223 | SLP-144E |
| | | | | | | | | | |
| 2SK61 | 2SK19 | μPC78M05H
μPC78M08H | TA7061AP
TA7302P | MB3756 | MB3713 | MA522 | | | |
| | | | | | | | | | |

K DIAGRAM/SP-71

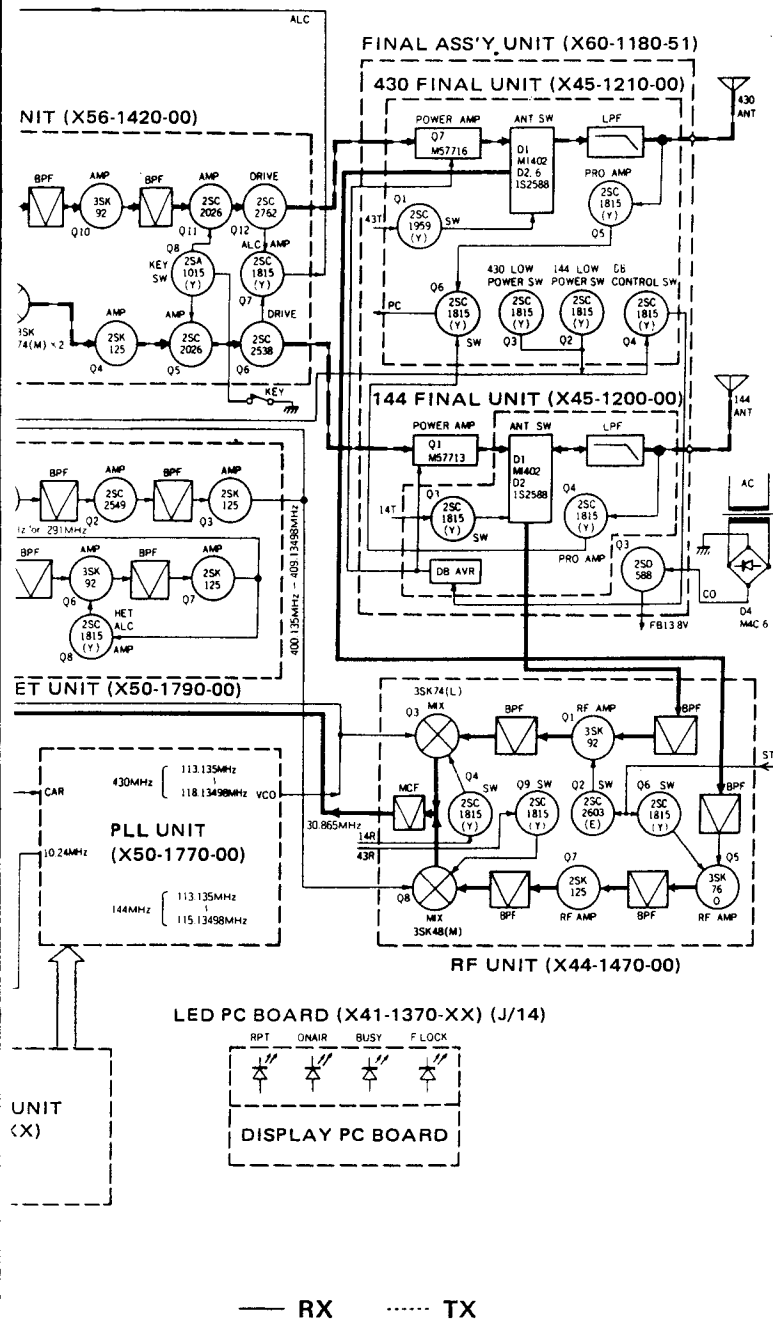
SP-71 SPECIFICATIONS

- Speaker:** 4.75" (12 cm)
- Rated Input:** 2.0 Watts
- Impedance:** 8 ohms
- Frequency Range:** 300 Hz to 5 kHz
- Dimensions:** 6.3" (160) (W) x 4.8" (123) (H) x 7.9" (200) (D) (mm)
- Weight:** 2.8 lbs (1.25 kg)

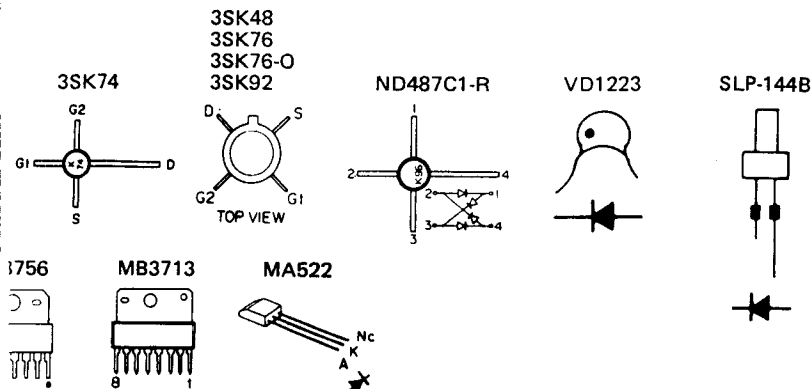
PARTS LIST

N : New parts

Parts No.	Remarks	Description	Ref. No.
A01-0915-03	N	Case (A) upper	
A01-0916-03	N	Case (B) lower	
A21-0744-03	N	Ornamental panel	
B01-0644-03	N	Panel escurcheon x 2	
B05-0702-04		Grill cloth	
B43-0668-04	N	Name plate	
B50-3931-00	N	Operating manual	
E12-0001-05		Phone plug	
E20-0208-04		Terminal board	
E29-0005-04		Y lug x 2	
H01-2782-04	N	Carton case (inside)	
H12-0402-04		Cushion x 2	
H20-0274-13		Protective cover	
H25-0049-03		Protective bag	
J01-0025-04		Assistant foot	
J02-0049-14		Foot x 4	
N15-1040-46		Flat washer x 4	
N30-4006-45		Round screw	
N30-4010-11		Round screw x 4	
N30-4024-46		Round screw x 2	
N32-3006-46		Flat screw x 6	
N35-3006-45		Bind screw x 14	
N61-3516-41			
N87-3006-41		Self tapping screw x 2	
T06-0011-05		Speaker	

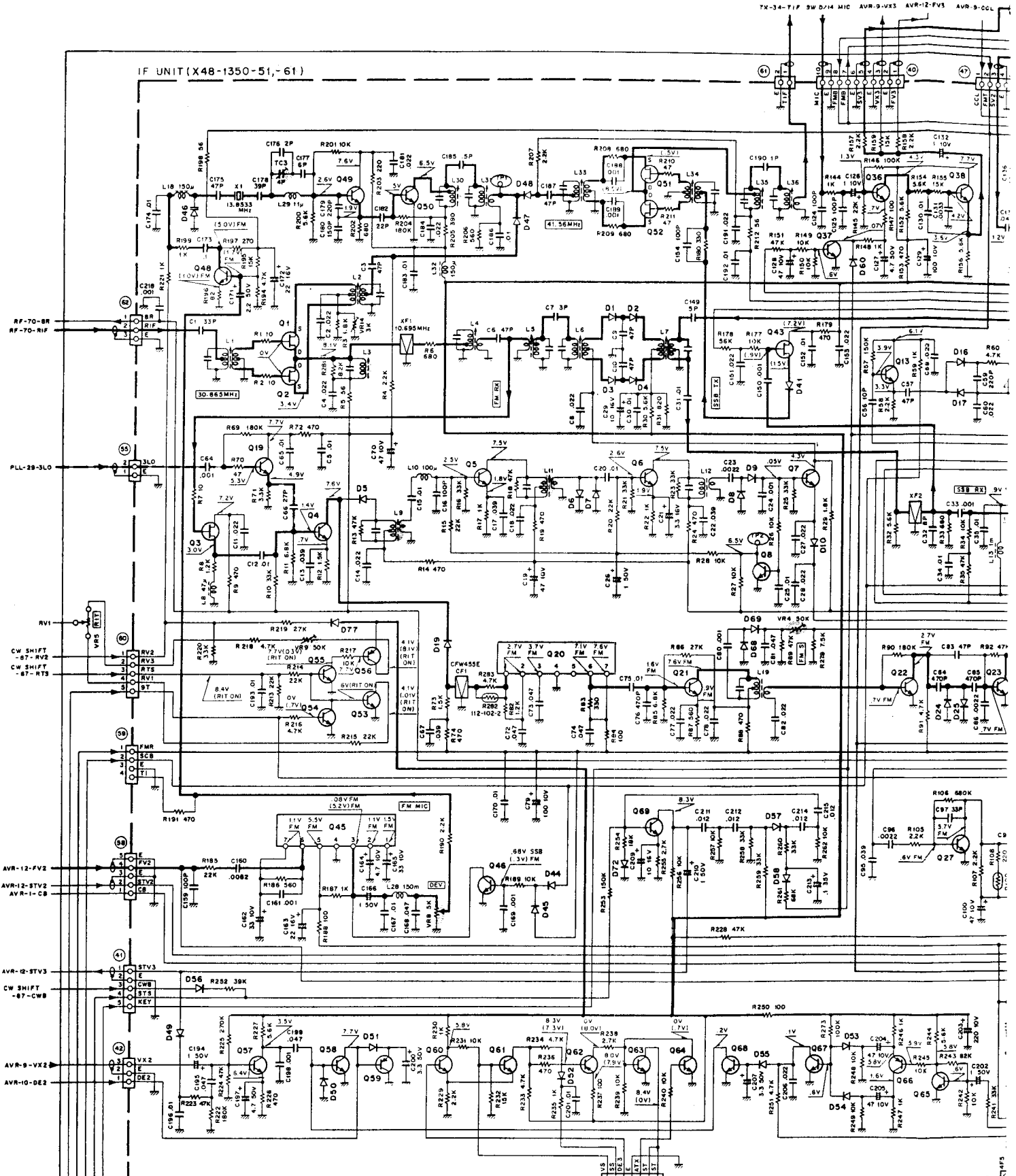


H/14)



For Service Manuals Contact
MAURITRON TECHNICAL SERVICES
 8 Cherry Tree Rd, Chinnor
 Oxon OX9 4QY
 Tel: 01844-351694 Fax: 01844-352554
 Email: enquiries@mauritron.co.uk

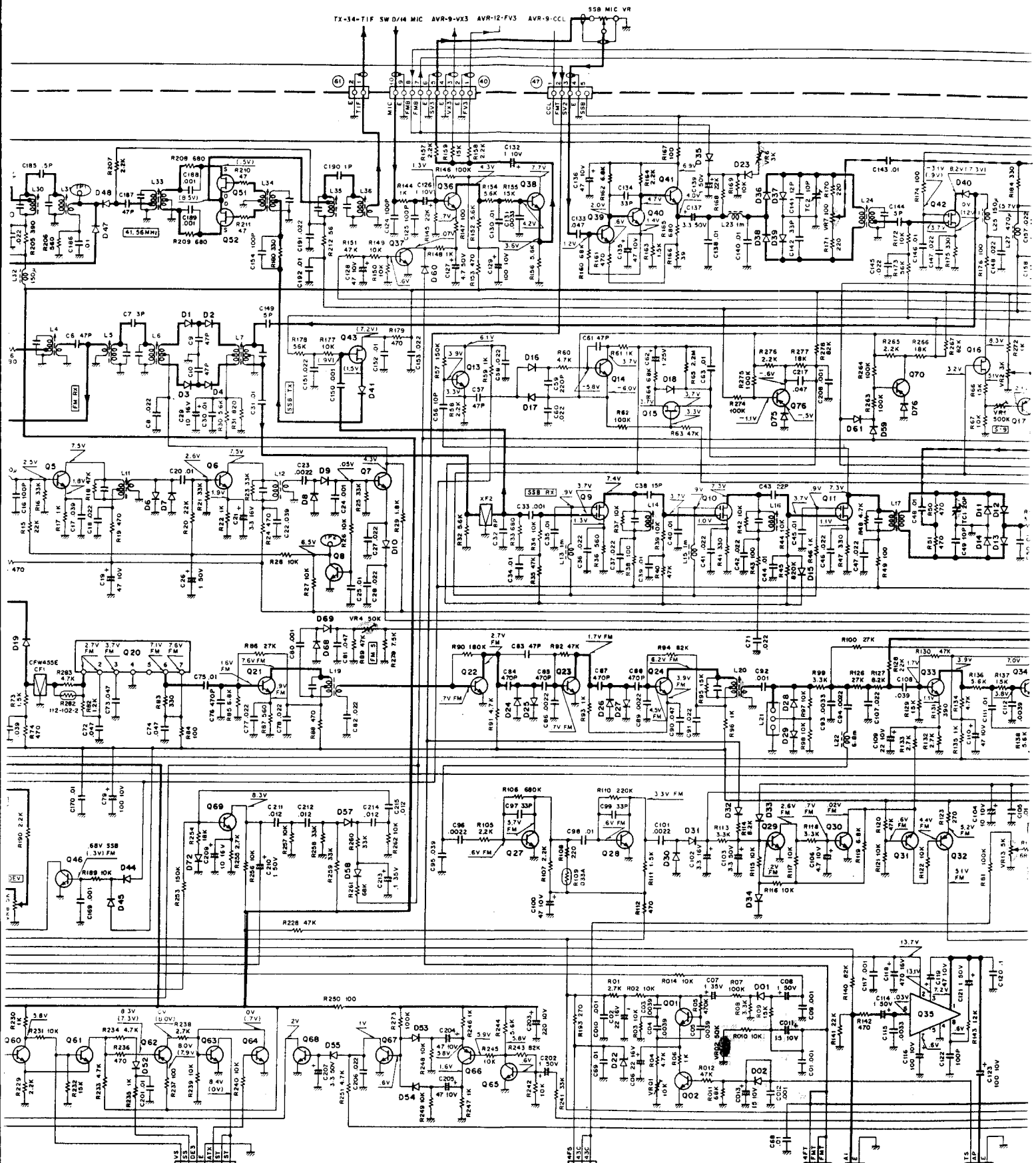
IF UNIT (X48-1350-51,-61)



- | | | | | | | | | | | |
|-----------------------|------------------------------|---|--------------------------------------|------------------------------|------------------|--|------------------|------------------|--------------------------|---------------------|
| Q1~3, 51, 52 : 2SK125 | Q16, 73 : 2SK19(Y) | Q17, 32, 56 : 2SK19(Y) | Q20 : TA7302P | Q25, 26 : 2SK19(GR) | Q35 : MB3713 | Q43 : 2SK61(GR) | Q45 : TA7061AP | Q63 : 2SC1959(Y) | Q18, 34, 71 : 2SC2603(E) | Q01, 02 : 2SC458(B) |
| Q4, 50 : 2SC1923(O) | Q5, 6, 13, 19, 21~24, 44, 49 | Q7, 8, 14, 27-31, 39-41, 46, 48, 53-55, 57, 58, 60, 61, 64, 65, 67-69 | Q9~11, 42 : 2SC1815(Y) or 2SC2603(E) | Q12, 33, 36~38 : 2SC2240(GR) | Q15 : 2SK30A(GR) | Q19, 20, 21, 22, 23, 24, 25, 26, 27, 28, 29, 30, 31, 32, 33, 34, 35, 36, 37, 38, 39, 40, 41, 42, 43, 44, 45, 46, 47, 48, 49, 50, 51, 52, 53, 54, 55, 56, 57, 58, 59, 60, 61, 62, 63, 64, 65, 66, 67, 68, 69, 70, 71, 72, 73, 74, 75, 76, 77, 78, 79, 80, 81, 82, 83, 84, 85, 86, 87, 88, 89, 90, 91, 92, 93, 94, 95, 96, 97, 98, 99, 100 | Q22 : 2SC1923(O) | Q23 : 2SK19(Y) | Q24 : 2SK19(GR) | Q26 : 2SK19(GR) |
| Q27 : 2SK19(Y) | Q28 : 2SK19(GR) | Q29 : 2SK19(GR) | Q30 : 2SK19(GR) | Q31 : 2SK19(GR) | Q32 : 2SK19(GR) | Q33 : 2SK19(GR) | Q34 : 2SK19(GR) | Q35 : 2SK19(GR) | Q36 : 2SK19(GR) | Q37 : 2SK19(GR) |
| Q38 : 2SK19(GR) | Q39 : 2SK19(GR) | Q40 : 2SK19(GR) | Q41 : 2SK19(GR) | Q42 : 2SK19(GR) | Q44 : 2SK19(GR) | Q46 : 2SK19(GR) | Q47 : 2SK19(GR) | Q48 : 2SK19(GR) | Q49 : 2SK19(GR) | Q50 : 2SK19(GR) |
| Q51 : 2SK19(GR) | Q52 : 2SK19(GR) | Q53 : 2SK19(GR) | Q54 : 2SK19(GR) | Q55 : 2SK19(GR) | Q56 : 2SK19(GR) | Q57 : 2SK19(GR) | Q58 : 2SK19(GR) | Q59 : 2SK19(GR) | Q60 : 2SK19(GR) | Q61 : 2SK19(GR) |
| Q62 : 2SK19(GR) | Q63 : 2SK19(GR) | Q64 : 2SK19(GR) | Q65 : 2SK19(GR) | Q66 : 2SK19(GR) | Q67 : 2SK19(GR) | Q68 : 2SK19(GR) | Q69 : 2SK19(GR) | Q70 : 2SK19(GR) | Q71 : 2SK19(GR) | Q72 : 2SK19(GR) |
| Q73 : 2SK19(GR) | Q74 : 2SK19(GR) | Q75 : 2SK19(GR) | Q76 : 2SK19(GR) | Q77 : 2SK19(GR) | Q78 : 2SK19(GR) | Q79 : 2SK19(GR) | Q80 : 2SK19(GR) | Q81 : 2SK19(GR) | Q82 : 2SK19(GR) | Q83 : 2SK19(GR) |
| Q84 : 2SK19(GR) | Q85 : 2SK19(GR) | Q86 : 2SK19(GR) | Q87 : 2SK19(GR) | Q88 : 2SK19(GR) | Q89 : 2SK19(GR) | Q90 : 2SK19(GR) | Q91 : 2SK19(GR) | Q92 : 2SK19(GR) | Q93 : 2SK19(GR) | Q94 : 2SK19(GR) |
| Q95 : 2SK19(GR) | Q96 : 2SK19(GR) | Q97 : 2SK19(GR) | Q98 : 2SK19(GR) | Q99 : 2SK19(GR) | Q100 : 2SK19(GR) | Q101 : 2SK19(GR) | Q102 : 2SK19(GR) | Q103 : 2SK19(GR) | Q104 : 2SK19(GR) | Q105 : 2SK19(GR) |

For Service Manuals Contact
MAURITRON TECHNICAL SERVICES
 8 Cherry Tree Rd, Chinnor
 Oxon OX9 4QY
 Tel: 01844-351694 Fax: 01844-352554
 Email: enquiries@mauritron.co.uk

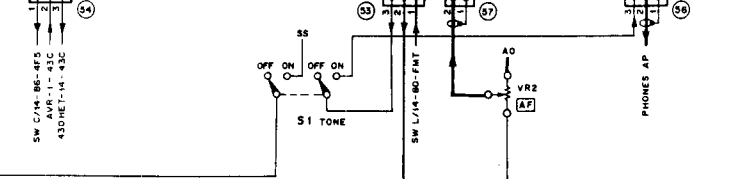
IF UNIT (X48-1350-XX)

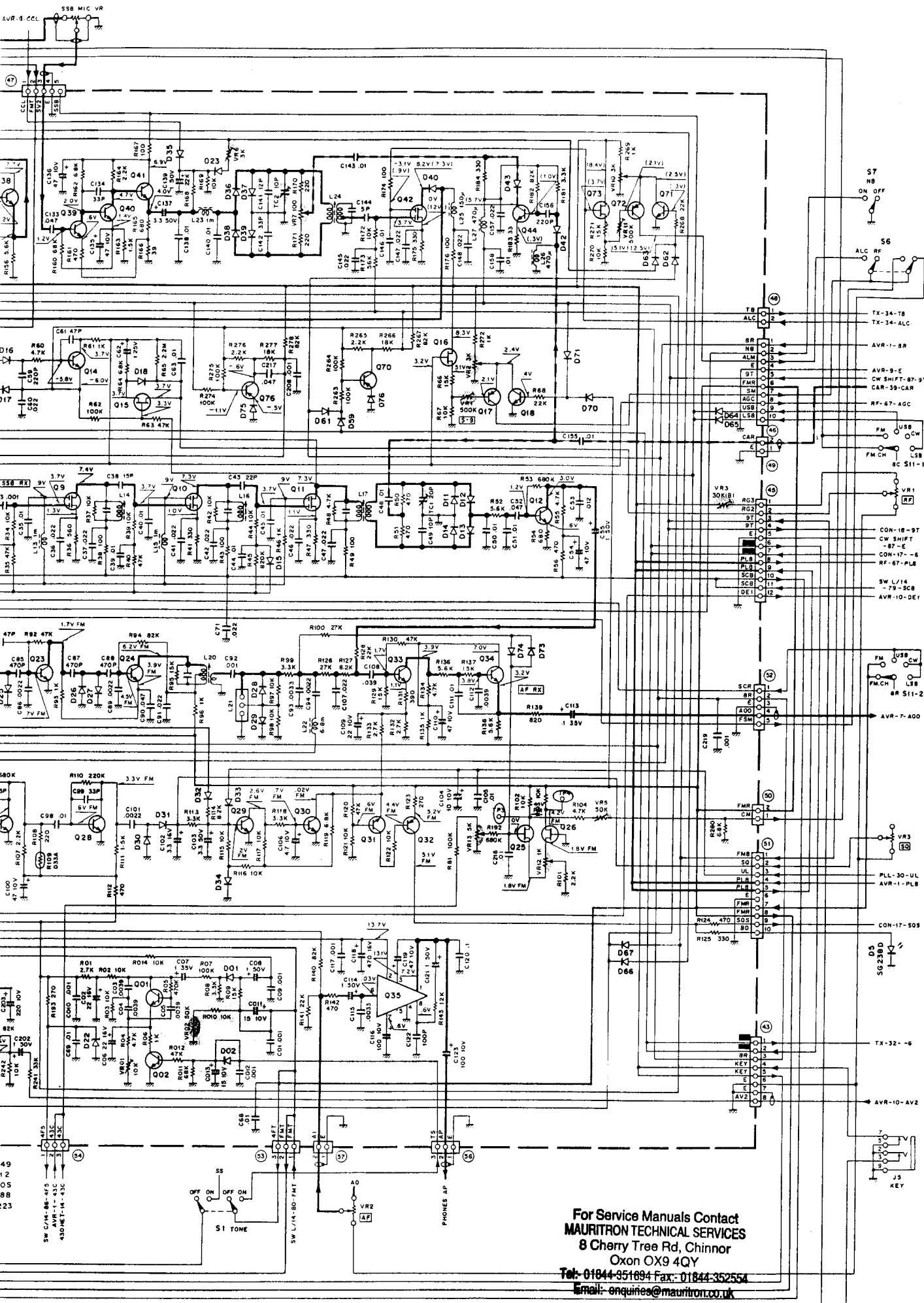


SK19(Y)
 3, 62, 66, 70, 72, 76
 5A1015(Y)
 17302P
 SK19(GR)
 B3713
 SK61(GR)
 17061AP
 SC.1959(Y)
 SC2603(E)

001,02 : 25C458(B)

- | | | | |
|---------------------------------|--------------------|---------|-----------|
| D 1-4 | : 1S1587 | D 22 | : XZ-049 |
| D 5,10,15,18,19 | : 1S1212 | D 34,72 | : 1S1212 |
| D 20-45,49,52-67,70,71,73,74,76 | : 1S1505 | D 46 | : 1S1505 |
| D 01,02 | : 1S1555 or 1N4448 | D 47,48 | : 1S2588 |
| D 6-9,11-14,16,17,28-31 | : 1N60 | D 77 | : VD-1223 |
| D 36-39,50,51,68,69,75 | : 1N60 | | |
| D 17 | : 1S599 | | |





349
212
505
588
223

For Service Manuals Contact
MAURITRON TECHNICAL SERVICES
 8 Cherry Tree Rd, Chinnor
 Oxon OX9 4QY
 Tel: 01844-351094 Fax: 01844-352554
 Email: enquiries@mauritron.co.uk

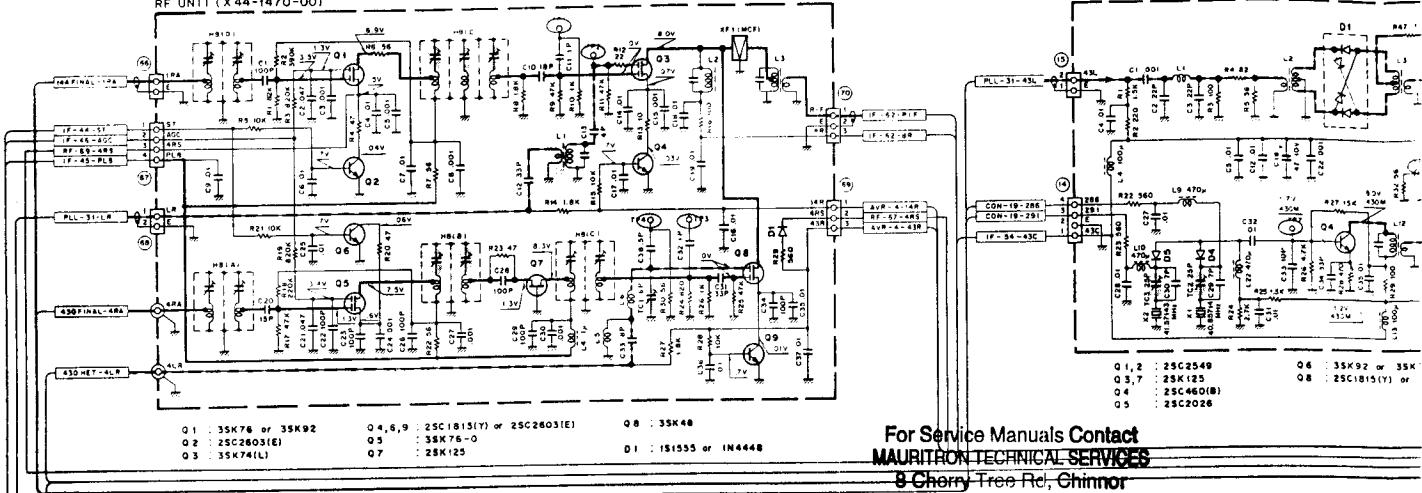
Signal Line

Control Line

Common DC Line

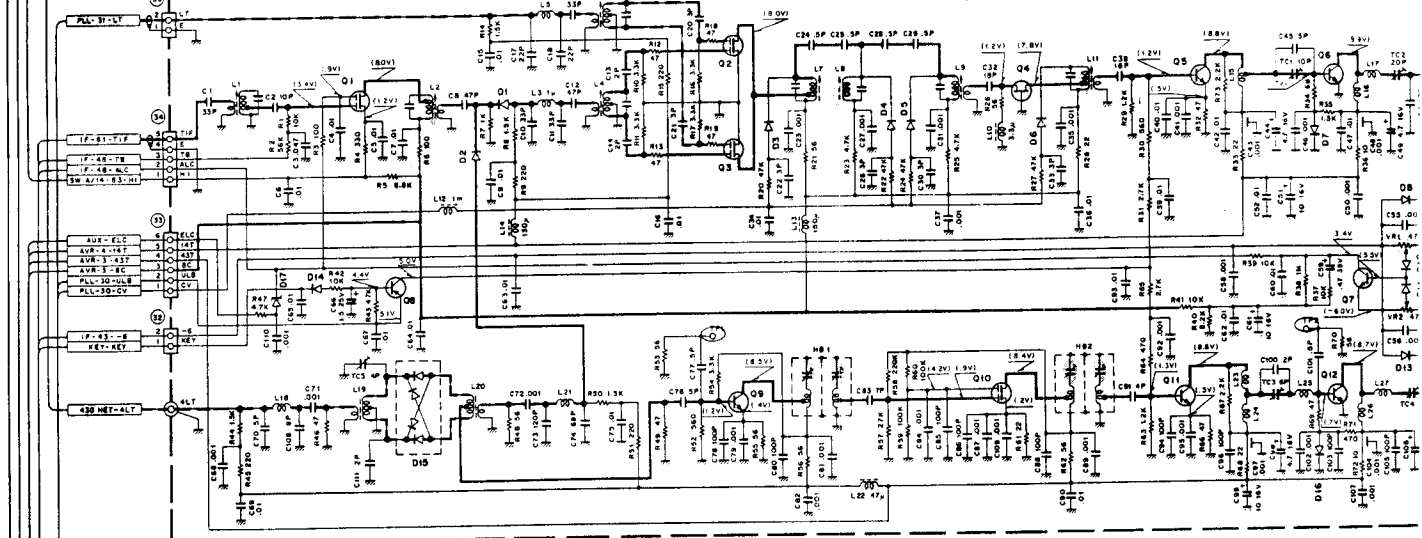
RF UNIT (X44-1470-00)

430 HET UNIT (X50-1790-00)

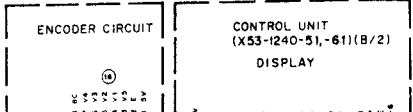


For Service Manuals Contact
MAURITRON TECHNICAL SERVICES
 8 Cherry Tree Rd, Chinnor
 Oxon OX9 4QY
 Tel: 01844-351694 Fax: 01844-352554
 Email: enquires@mauritron.co.uk

TX UNIT (X56-1420-00)



IC3,4 : μPC78M05H

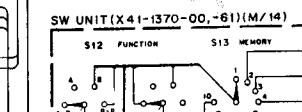
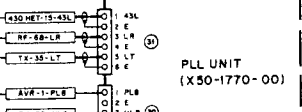
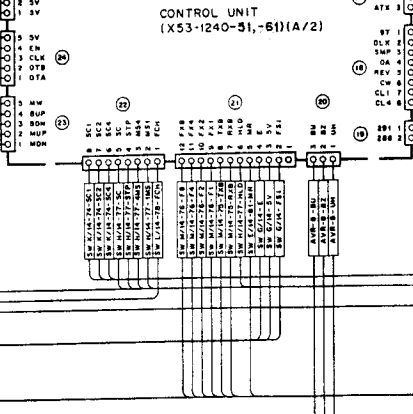


SW UNIT (X41-1370-00,-61)(I/14)

SW UNIT (X41-1370-00,-61)(D/14)

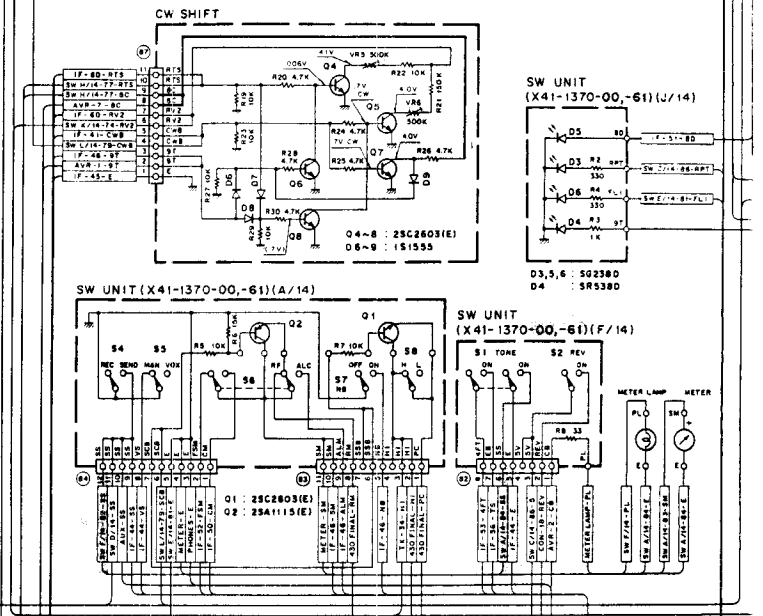
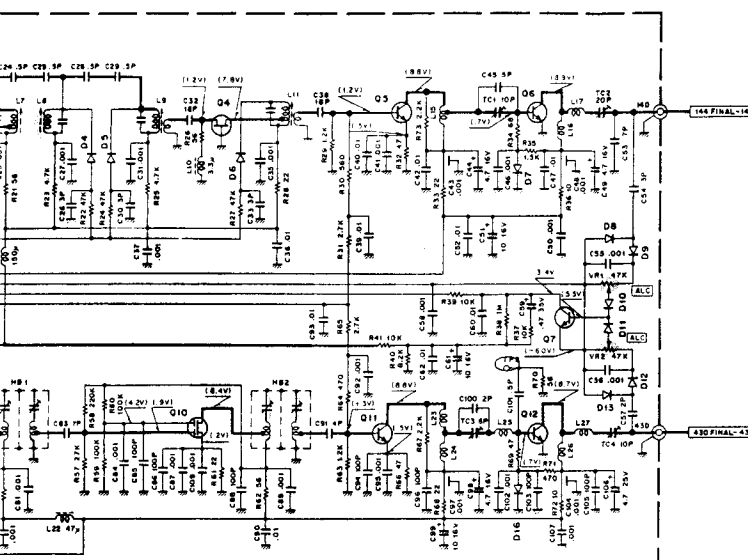
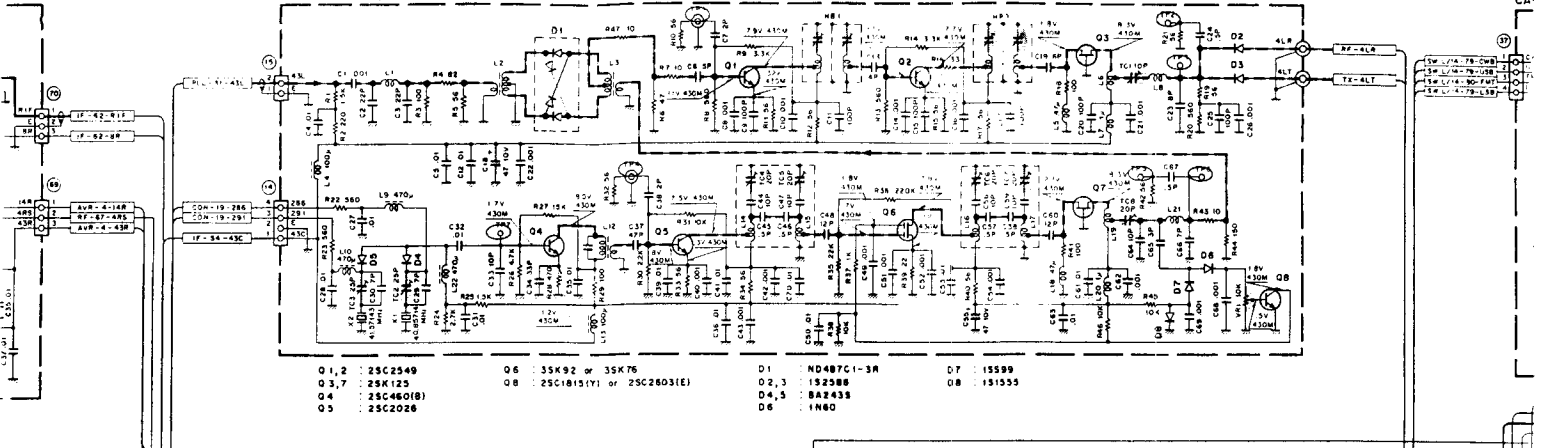
SW UNIT (X41-1370-00,-61)(G/14)

D1 : SR539D
D2 : SLP1448

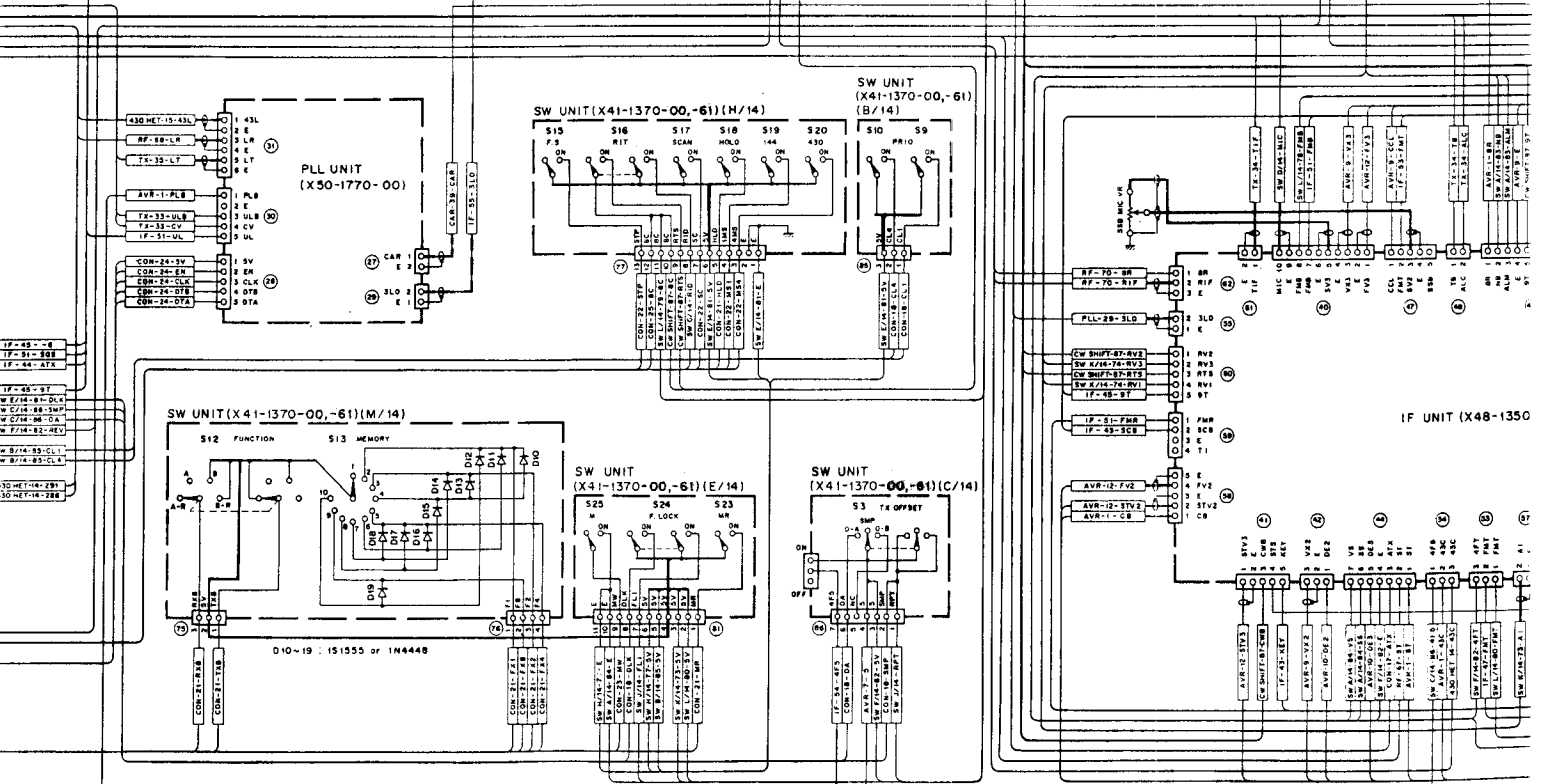


D10-19 : 151555 or 1N4448

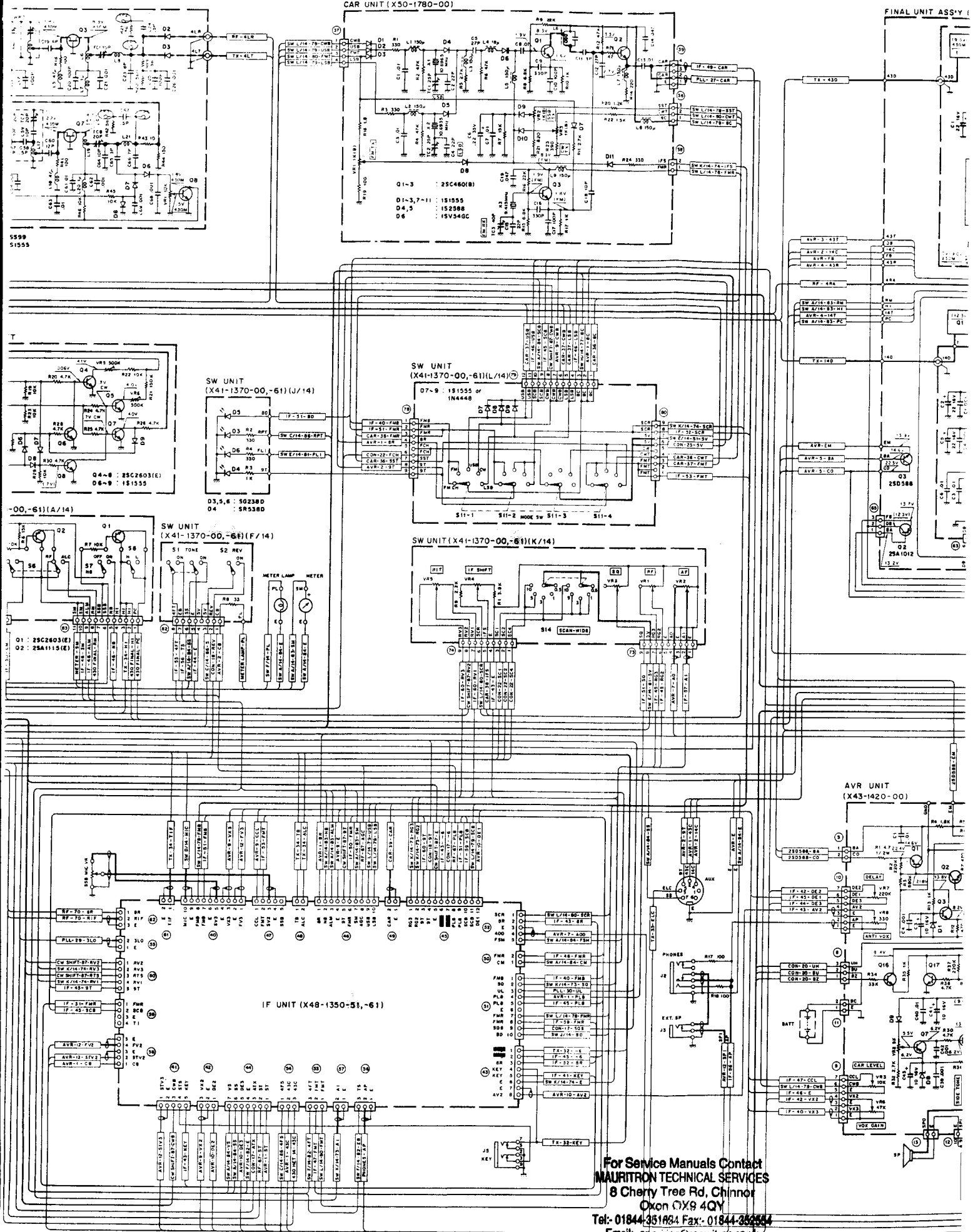
430 HET UNIT (X50-1790-00)



D8, 9, 12, 13 : 1N60
 D15 : ND487C1-3R
 D17 : XZ-060
 or 1N4448

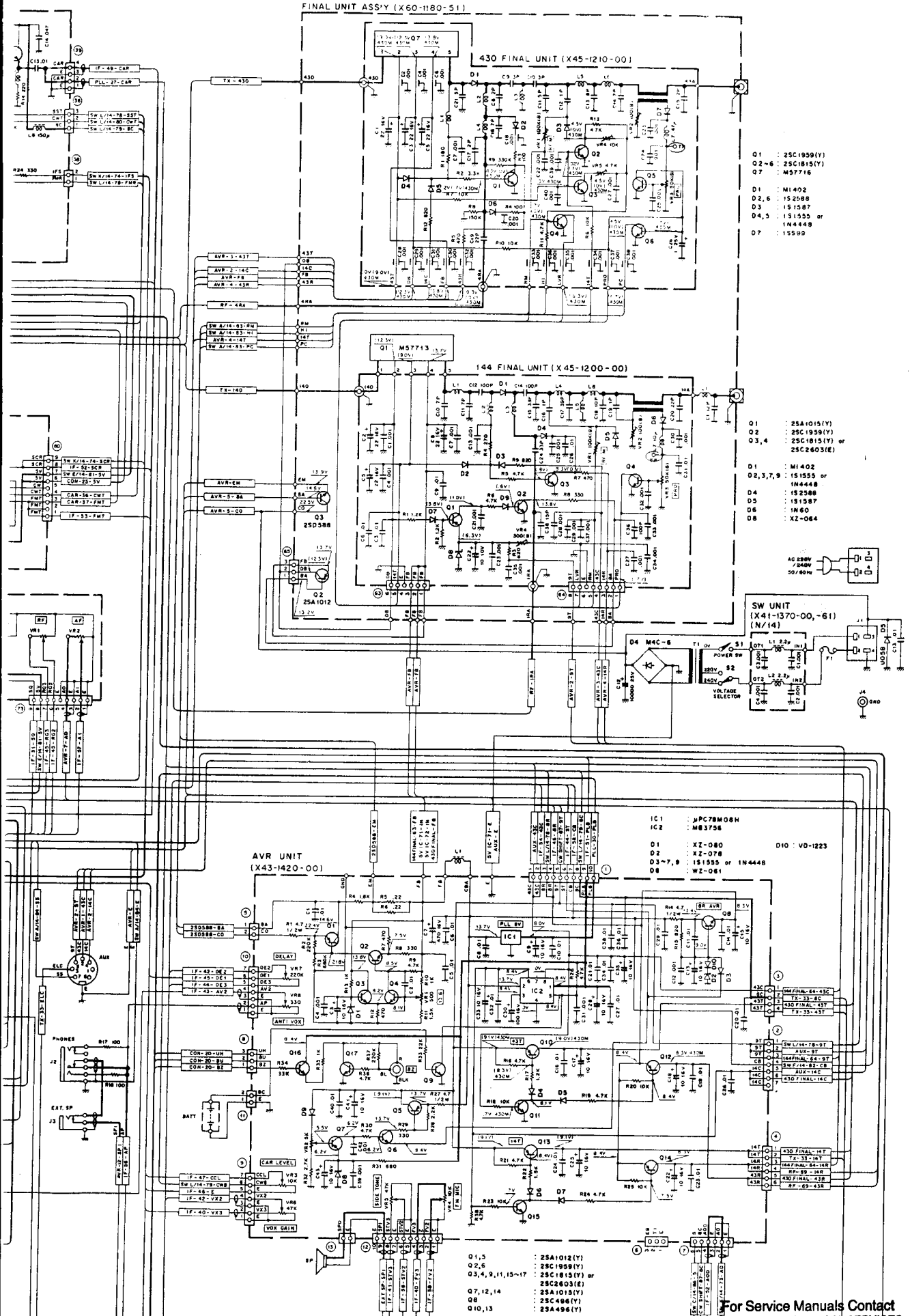


SCHEMATIC DIAGRAM



For Service Manuals Contact
MAURITRON TECHNICAL SERVICES
 8 Cherry Tree Rd, Chinnor
 Oxon OX9 4QY
 Tel: 01844 351884 Fax: 01844 352554
 Email: enquiries@mauritron.co.uk

The voltages measured when receiving 144.000MHz, USB. () : in TX.



- Q1 : 25C1959(Y)
- Q2-6 : 25C1815(Y)
- Q7 : M57716
- D1 : M1402
- D2,6 : 1S2588
- D3 : 1S1587
- D4,5 : 1S1555 or 1N4448
- D7 : 1S599

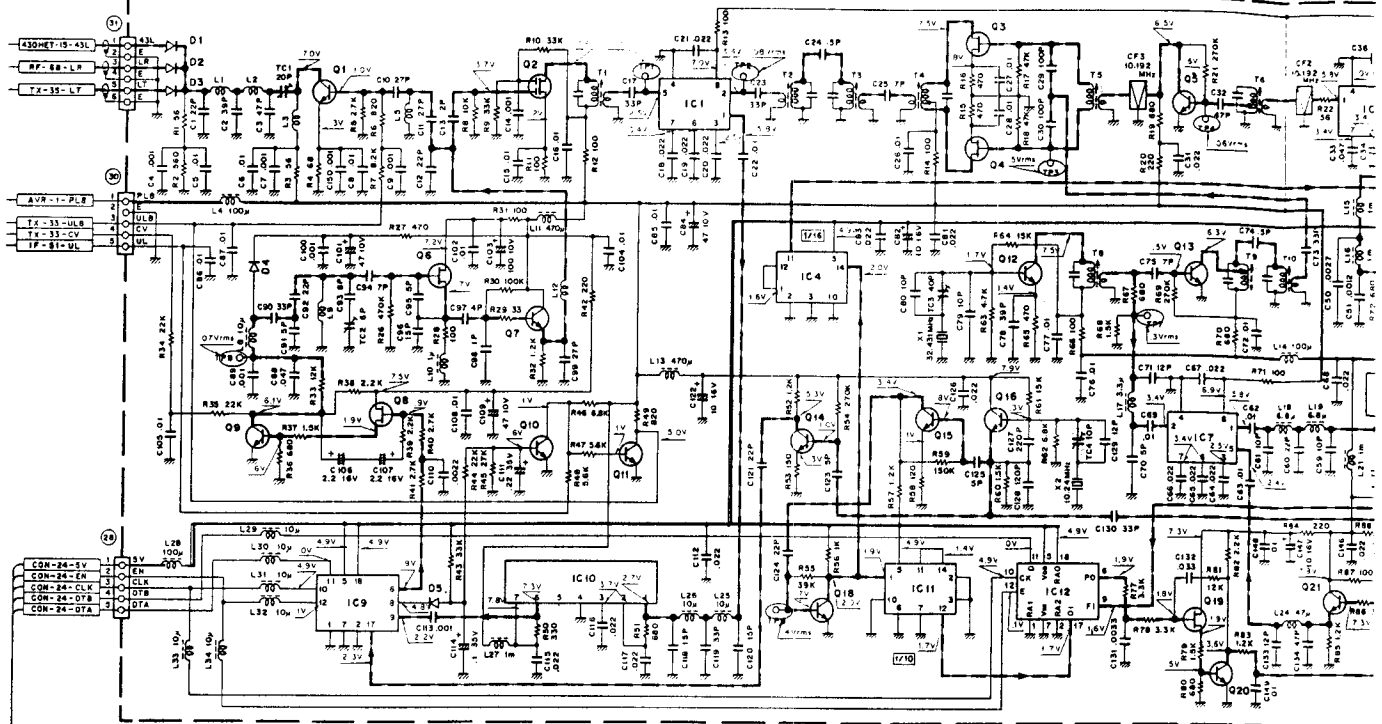
- Q1 : 25A1015(Y)
- Q2 : 25C1959(Y)
- Q3,4 : 25C1815(Y) or 25C2403(E)
- D1 : M1402
- D2,3,7,9 : 1S1555 or 1N4448
- D4 : 1S2588
- D5 : 1S1587
- D6 : 1N60
- D8 : XZ-064

- IC1 : µPC78M08H
- IC2 : MB3756
- D1 : XZ-080
- D2 : XZ-078
- D3-7,9 : 1S1555 or 1N4448
- D8 : WZ-061
- D10 : VD-1223

- Q1,5 : 25A1012(Y)
- Q2,6 : 25C1959(Y)
- Q3,4,9,11,15-17 : 25C1815(Y) or 25C2403(E)
- Q7,12,14 : 25A1015(Y)
- Q8 : 25C496(Y)
- Q10,13 : 25A496(Y)

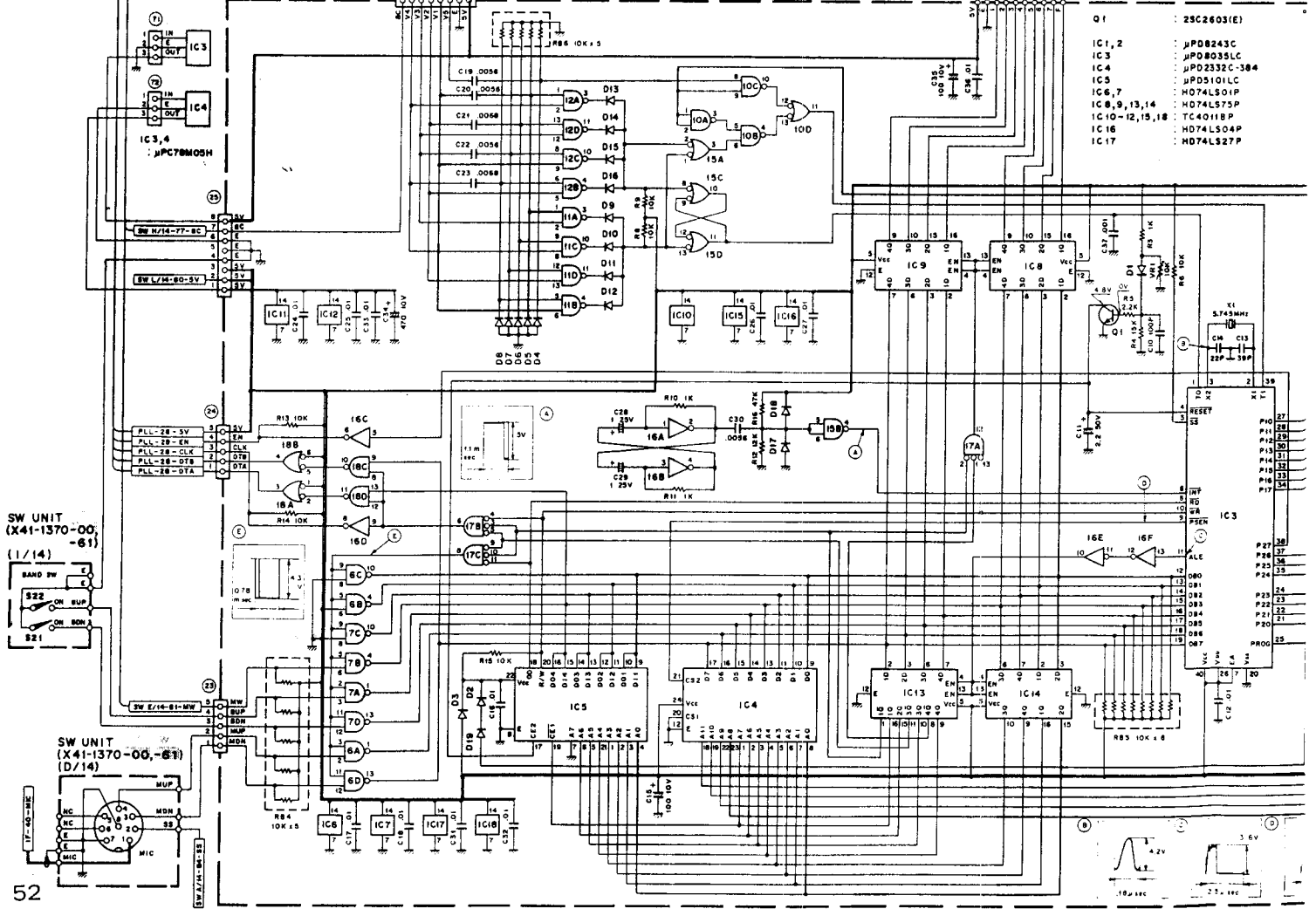
For Service Manuals Contact
MAURITRON TECHNICAL SERVICES
 8 Cherry Tree Rd, Chinnor
 Oxon OX9 4QY
 Tel: 01844-351694 Fax: 01844-352554
 Email: enquiries@maurtron.co.uk

PLL UNIT (X50-1770-00)



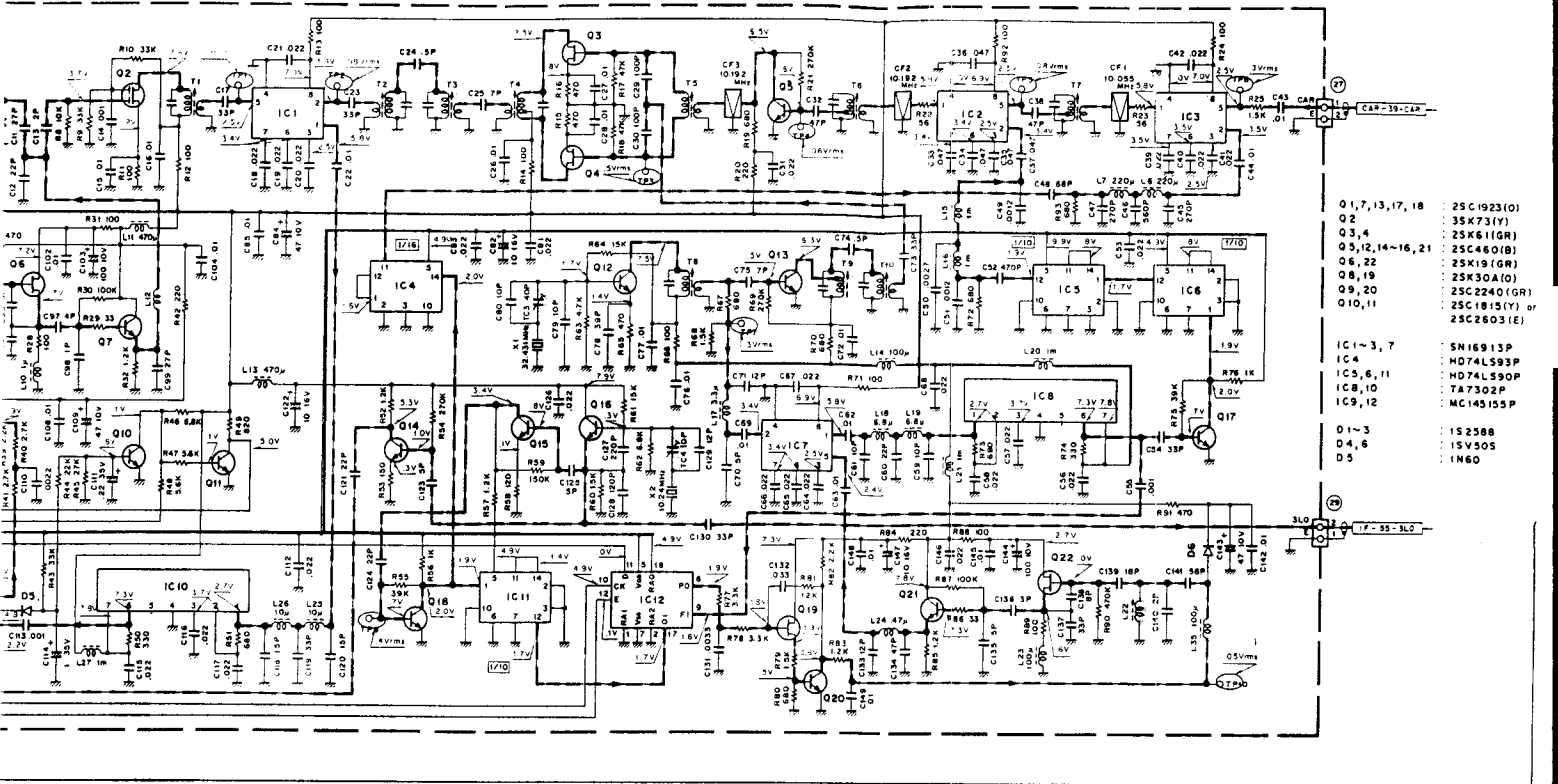
For Service Manuals Contact
MAURITRON TECHNICAL SERVICES
 8 Cherry Tree Rd, Chinnor
 Oxon OX9 4QY
 Tel: 01844-351894 Fax: 01844-352554
 Email: enquires@mauritron.co.uk

CONTROL UNIT (X53-1240-51, -61) (A/2)

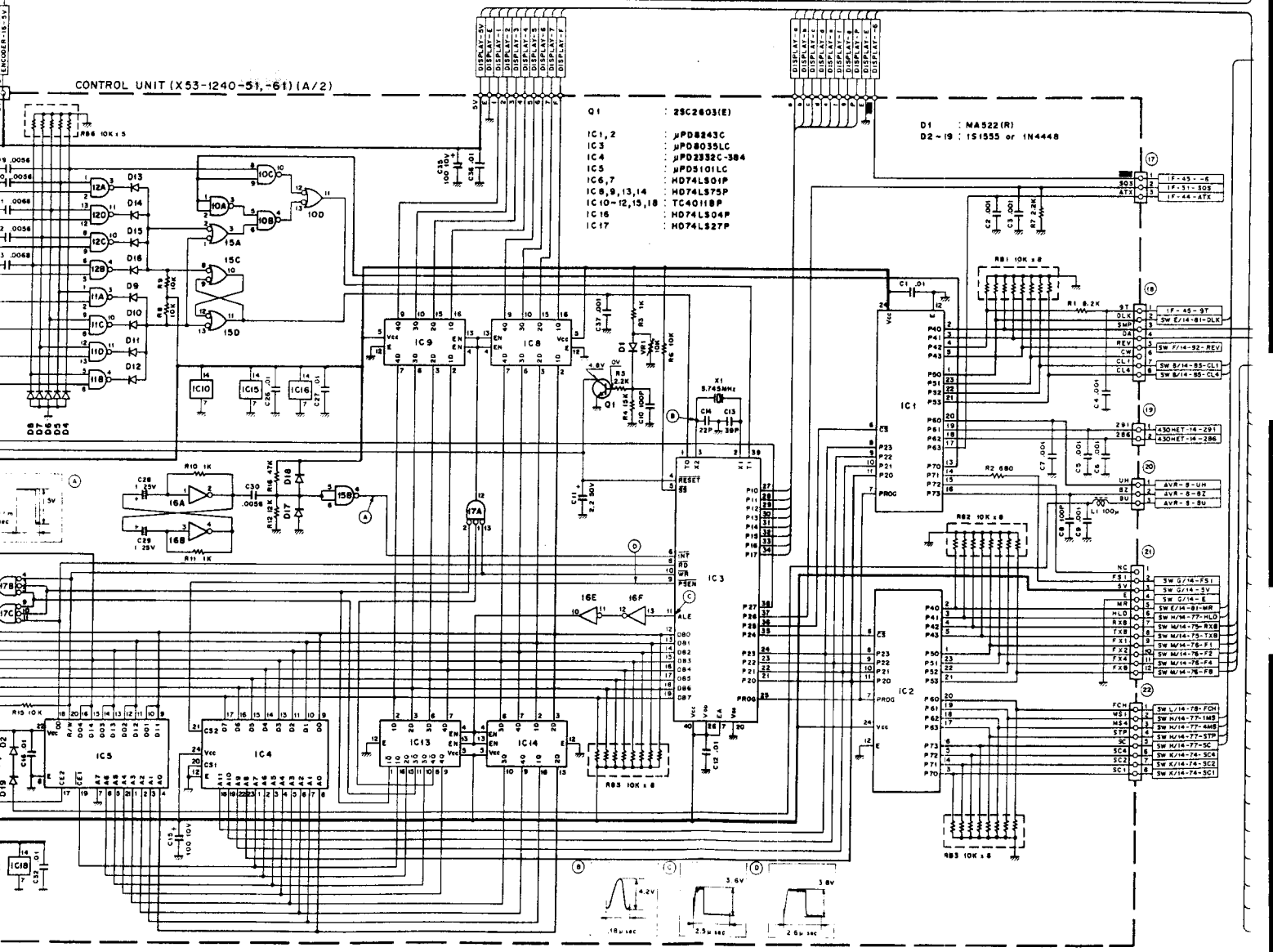


SW UNIT (X41-1370-00, -61) (1/14)

SW UNIT (X41-1370-00, -61) (D/14)

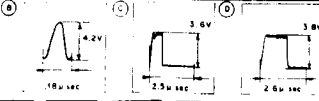


- Q1,7,13,17,18 : 2SC1923(I)
- Q2 : 3SK73(Y)
- Q3,4 : 2SK61(GR)
- Q5,12,14-16,21 : 2SC460(B)
- Q6,22 : 2SK19(GR)
- Q8,19 : 2SK30(A)
- Q9,20 : 2SC2240(GR)
- Q10,11 : 2SC1815(Y) or 2SC2603(E)
- IC1-3,7 : 5N16913P
- IC4 : HD74LS93P
- IC5,6,11 : HD74LS90P
- IC8,9 : 74S302P
- IC9,12 : MC145155P
- D1-3 : 1S2508
- D4,6 : 1S1505
- D5 : 1N60

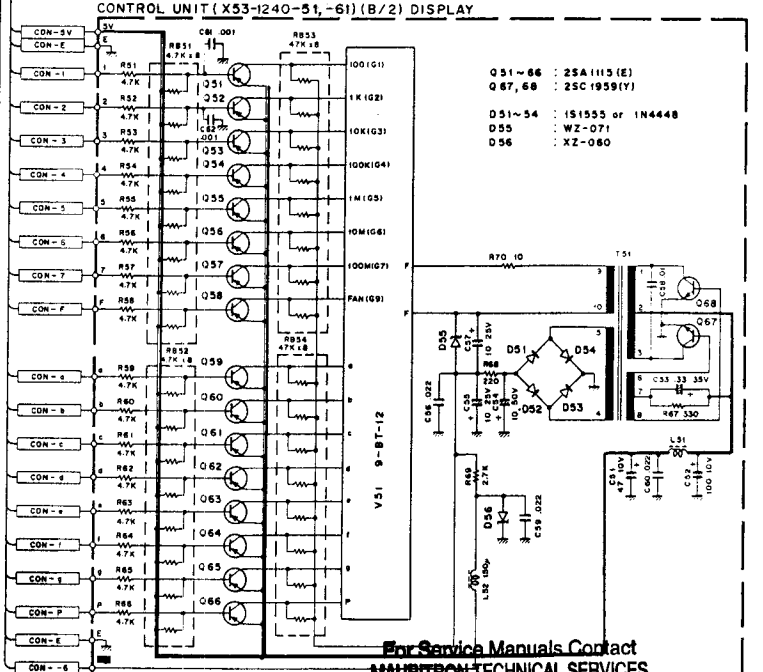
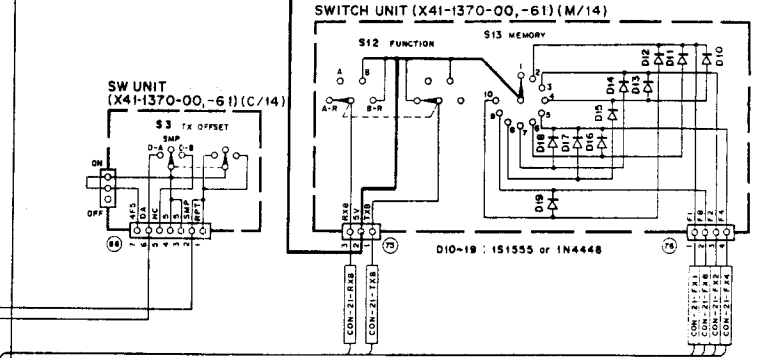
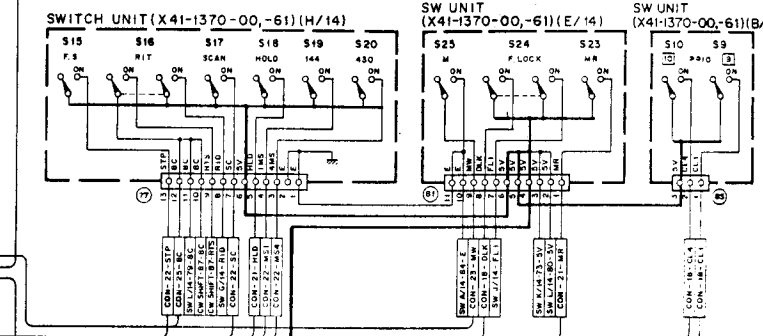
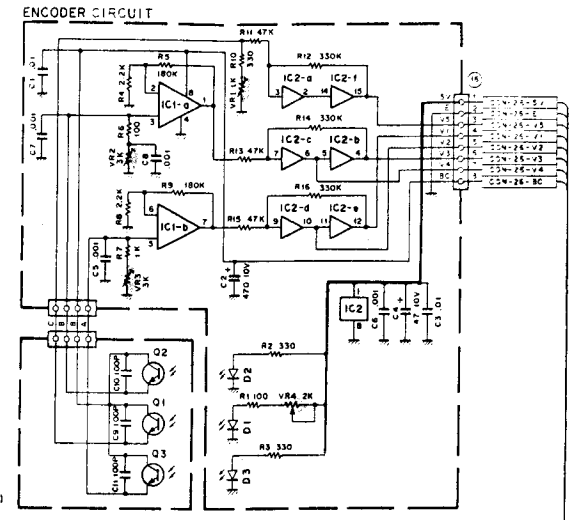
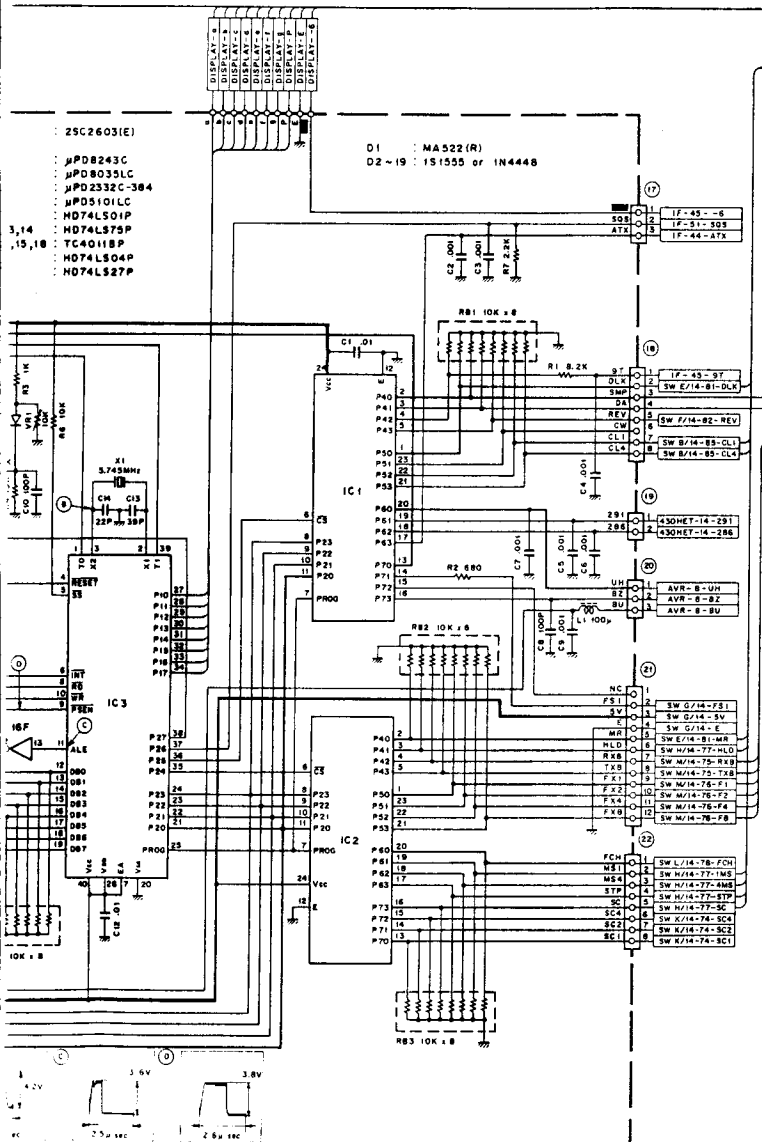
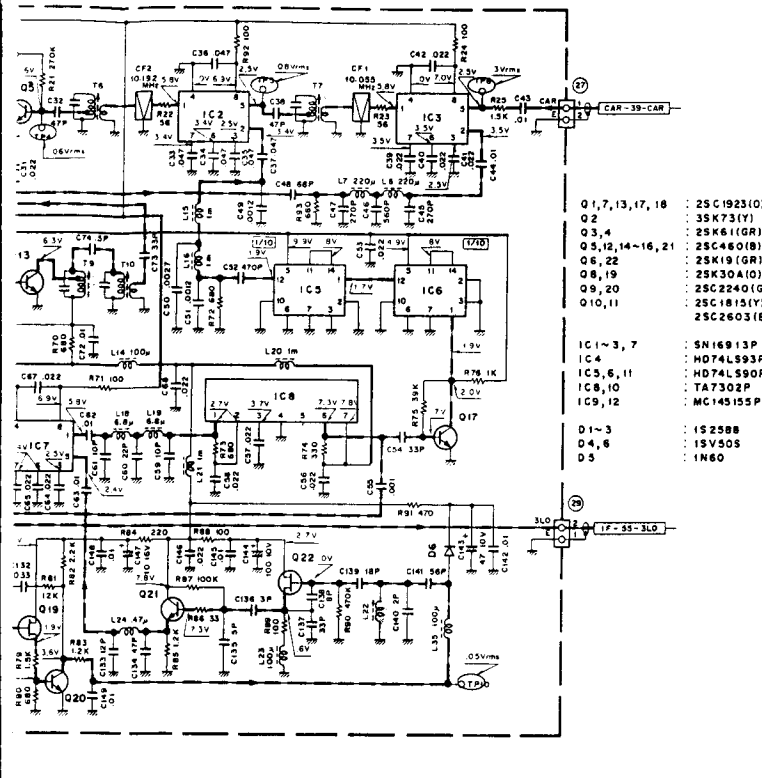


- Q1 : 2SC2603(E)
- IC1,2 : JPD0843C
- IC3 : JPD08035LC
- IC4 : JPD2332C-384
- IC5 : JPD5101LC
- IC6,7 : HD74LS01P
- IC8,9,13,14 : HD74LS75P
- IC10-12,15,18 : TC40118P
- IC16 : HD74LS04P
- IC17 : HD74LS27P

- D1 : MA522(R)
- D2-19 : 1S1555 or 1N4448



OL, PLL AND ENCODER



For Service Manuals Contact
MAURITRON TECHNICAL SERVICES
 8 Cherry Tree Rd, Chinnor
 Oxon OX9 4QY
 Tel: 01844-351694 Fax: 01844-352554
 Email: enquiries@mauritron.co.uk

SPECIFICATIONS

GENERAL

Frequency Range	144.0 ~ 146.0 MHz 430.0 ~ 440.0 MHz
Mode	SSB (USB, LSB), CW, FM
Antenna impedance	50 Ω (144 MHz, 430 MHz)
Voltage Requirements	220 V AC, 50/60 Hz 13.8 V DC \pm 15%
Power Consumption	Receive (no signal): 45 watts (220 V AC), 1.2 A (13.8 V DC) Transmit: 130 watts (220 V AC), 5 A (13.8 V DC)
Backup current (Battery)	Less than 10 μ A
Semiconductor Complement	Transistors: 149 FETs: 35 ICs: 41 Diodes: 195
Dimensions	290 (W) x 124 (H) x 322 (D) mm (11 ⁷ / ₁₆) x (4 ⁷ / ₈) x (12 ⁵ / ₈)
Weight	10.1 kg (22.2 lbs)

TRANSMITTER SECTION

RF Power Output	SSB, CW, FM: 10 watts FM (LOW): Approx. 1 watt
Modulation	SSB: Balanced modulation FM: Variable reactance frequency shift
Maximum frequency deviation (FM)	\pm 5 kHz
Carrier Suppression	Better than 40 dB
Unwanted Sideband Suppression	Better than 40 dB
Spurious Radiation	Better than -60 dB
Microphone Impedance	500 ~ 600 Ω
AF Response of Transmitter (SSB)	400 ~ 2600 Hz (-9 dB)
Repeater Frequency Shift	-600 kHz or +600 kHz (144.0 ~ 146.0 MHz) -7.6 MHz or -1.6 MHz (430.0 ~ 440.0 MHz)
RPT Tone Frequency	1750 Hz

RECEIVER SECTION

Receiver Sensitivity	SSB, CW: 0.2 μ V for 10 dB (S+N)/N FM: 1 μ V for 30 dB (S+N)/N 0.2 μ V for 12 dB SINAD
Intermediate Frequency	1st: 30.865 MHz 2nd: 10.695 MHz 3rd: 455 kHz (FM only)
Squelch Sensitivity	0.16 μ V (At threshold)
Audio Output	2.0 watts (with less than 10% distortion) into an 8 ohm load
Receiver Selectivity	SSB, CW: 2.2 kHz (-6 dB) 4.8 kHz (-60 dB) FM: 14 kHz (-6 dB) 30 kHz (-60 dB)

For Service Manuals Contact
MAURITRON TECHNICAL SERVICES
8 Cherry Tree Rd, Chinnor
Oxon OX9 4QY

Tel: 01844-351694 Fax: 01844-352554
Email: enquiries@mauritron.co.uk

Circuit and ratings are subject to change without notice for improvement.

A product of
TRIO-KENWOOD CORPORATION
17-5, 2-chome, Shibuya, Shibuya-ku, Tokyo 150, Japan

TRIO-KENWOOD COMMUNICATIONS
1111 West Walnut Street Compton, California 90220, U.S.A.
TRIO-KENWOOD COMMUNICATIONS, GmbH
D-6374 Steinbach TS, Industriestrasse 8A, West Germany
TRIO-KENWOOD(AUSTRALIA)PTY. LTD.
4E Woodcock Place, Lane Cove N.S.W. Australia 2066
