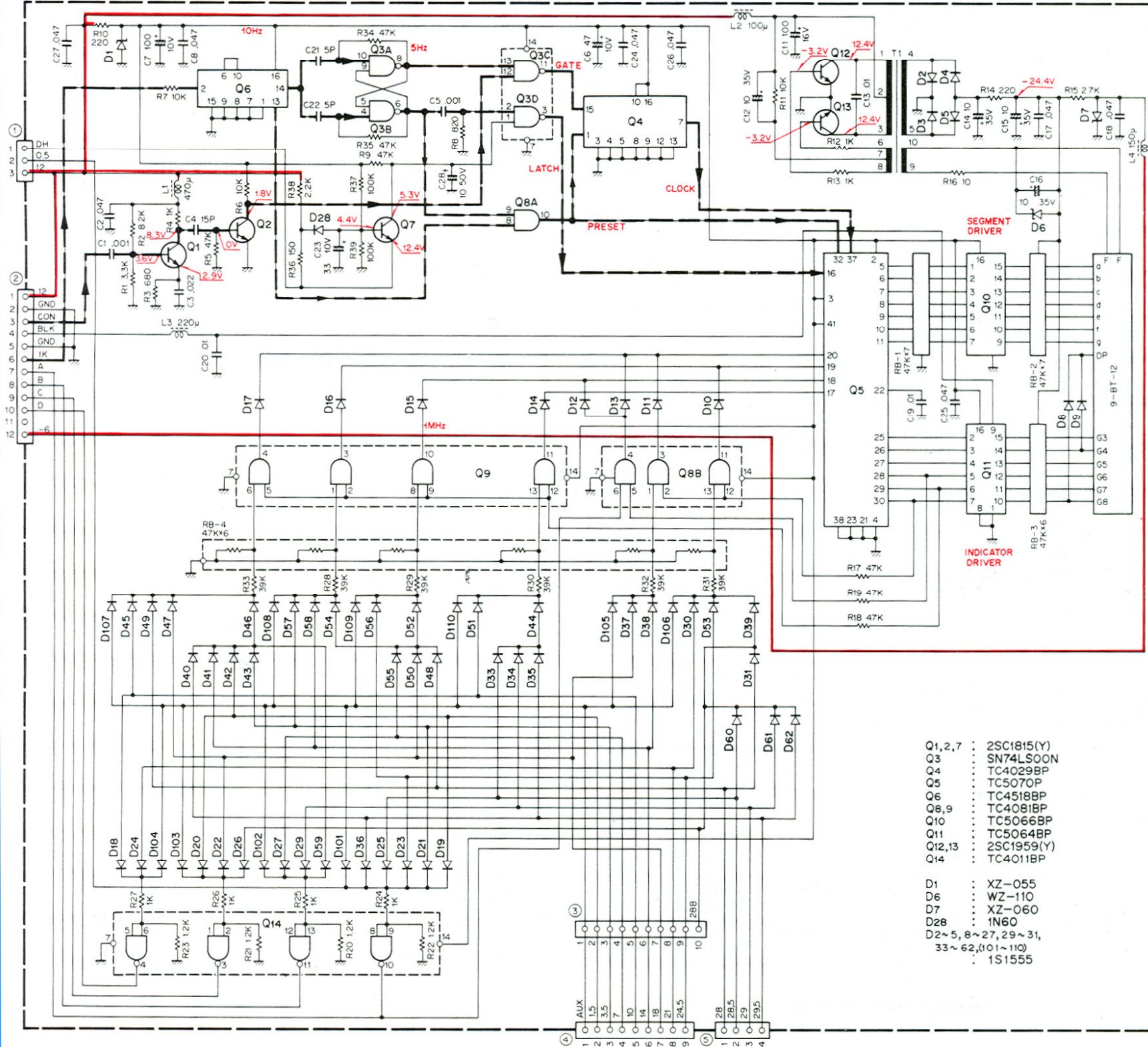
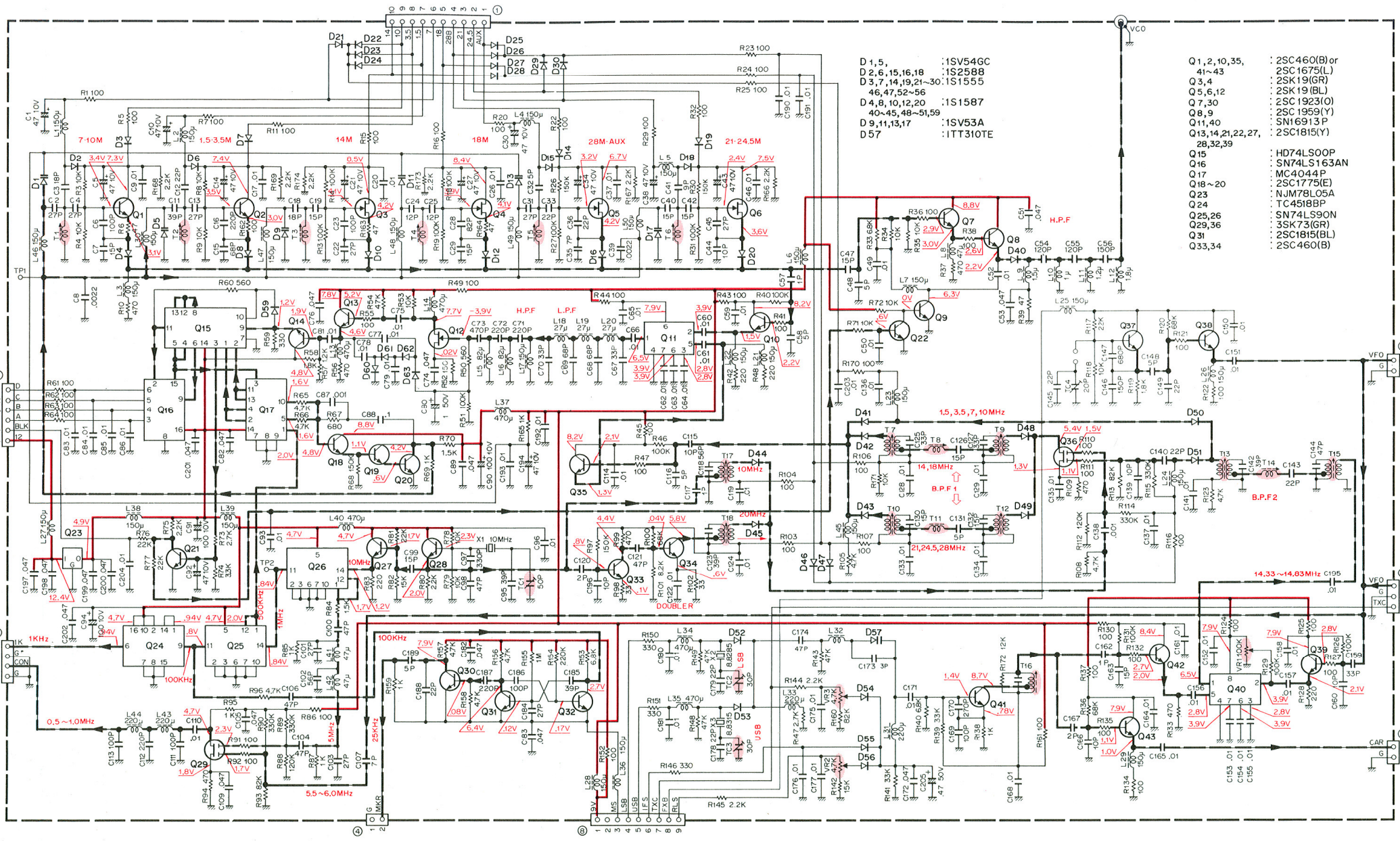


COUNTER UNIT (X54-1540-00)



- Q1,2,7 : 2SC1815(Y)
 Q3 : SN74LS00N
 Q4 : TC4029BP
 Q5 : TC5070P
 Q6 : TC4518BP
 Q8,9 : TC4081BP
 Q10 : TC5066BP
 Q11 : TC5064BP
 Q12,13 : 2SC1959(Y)
 Q14 : TC4011BP

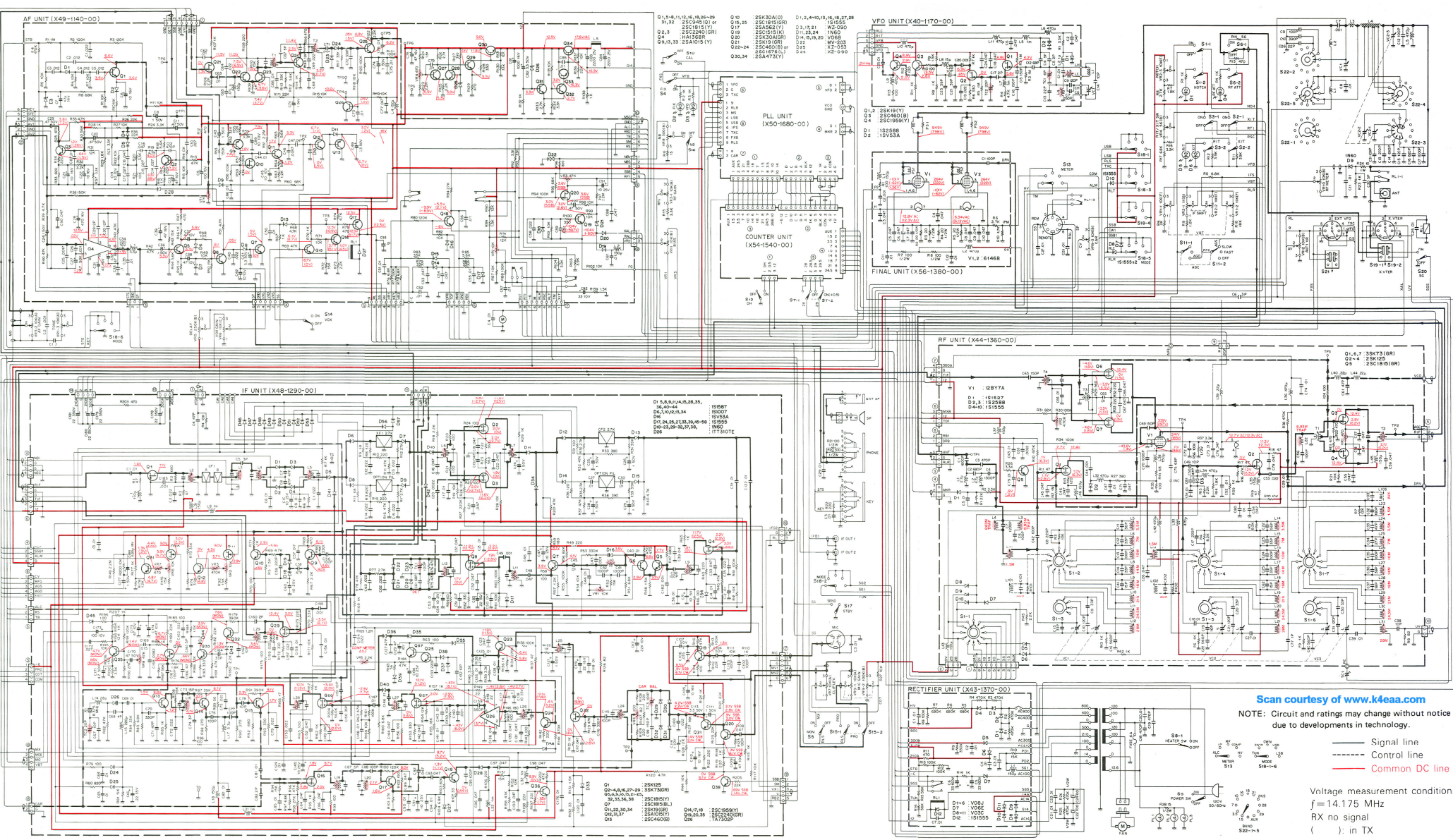
 D1 : XZ-055
 D6 : WZ-110
 D7 : XZ-060
 D28 : 1N60
 D2,5,8,27,29~31,33,62,(101~110) : 1S1555



- D 1, 5, : 1S154GC
- D 2, 6, 15, 16, 18 : 1S2588
- D 3, 7, 14, 19, 21, 30 : 1S1555
- 46, 47, 52 ~ 56
- D 4, 8, 10, 12, 20 : 1S1587
- 40 ~ 45, 48 ~ 51, 59
- D 9, 11, 13, 17 : 1S153A
- D 57 : 1T310TE

- Q 1, 2, 10, 35, : 2SC460(B) or
- 41 ~ 43 : 2SC1675(L)
- Q 3, 4 : 2SK19(GR)
- Q 5, 6, 12 : 2SK19(BL)
- Q 7, 30 : 2SC1923(O)
- Q 7, 30 : 2SC1959(Y)
- Q 11, 40 : SN16913P
- Q 13, 14, 21, 22, 27, : 2SC1815(Y)
- 28, 32, 39
- Q 15 : HD74LS00P
- Q 16 : SN74LS163AN
- Q 17 : MC4044P
- Q 18 ~ 20 : 2SC1775(E)
- Q 23 : NUM78L05A
- Q 24 : TC4518BP
- Q 25, 26 : SN74LS90N
- Q 29, 36 : 3SK73(GR)
- Q 31 : 2SC1815(BL)
- Q 33, 34 : 2SC460(B)





Scan courtesy of www.k4eaa.com

NOTE: Circuit and ratings may change without notice due to developments in technology.

- Signal line
- Control line
- Common DC line

Voltage measurement conditions
 $f = 14.175 \text{ MHz}$
 RX no signal
 () in TX