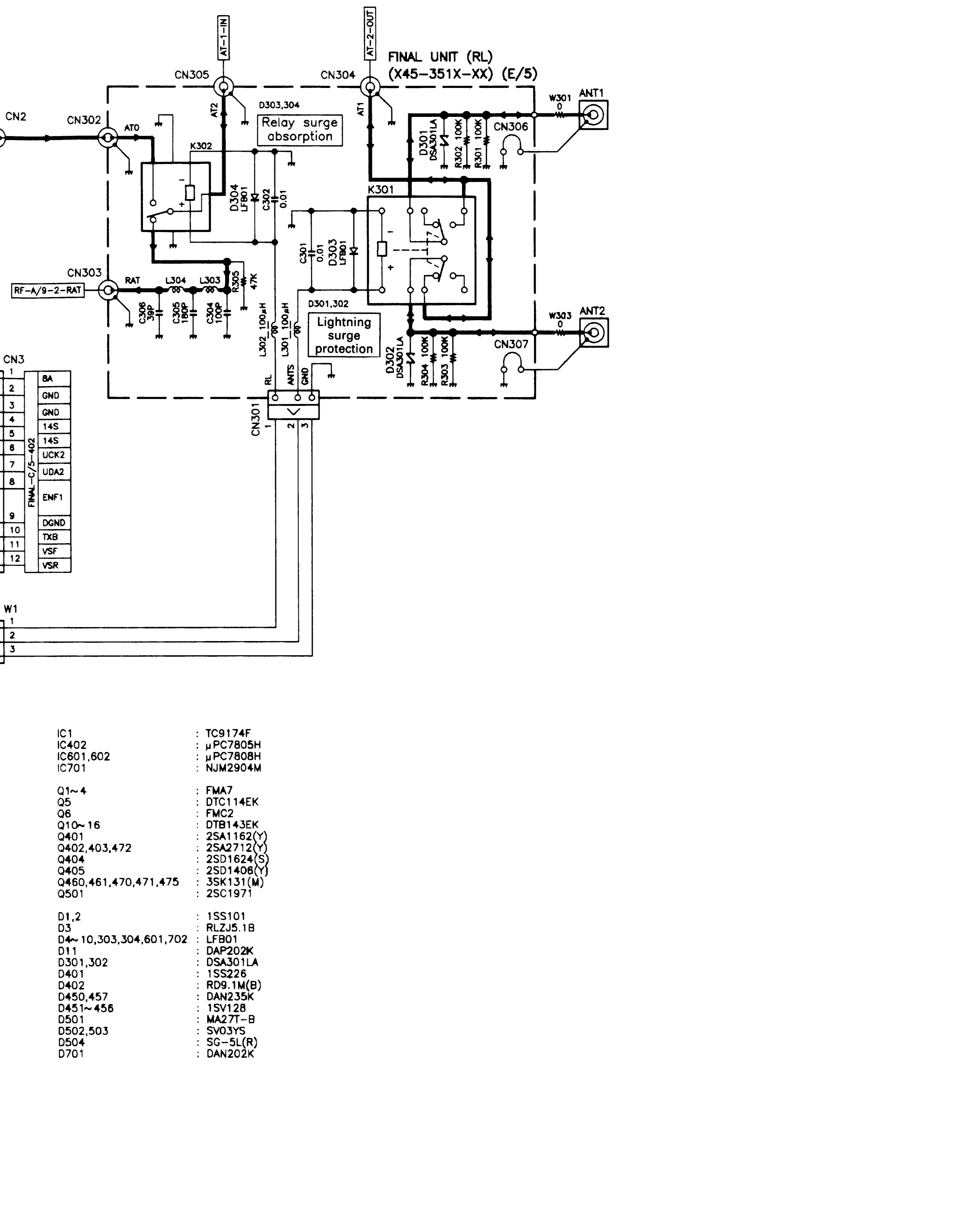
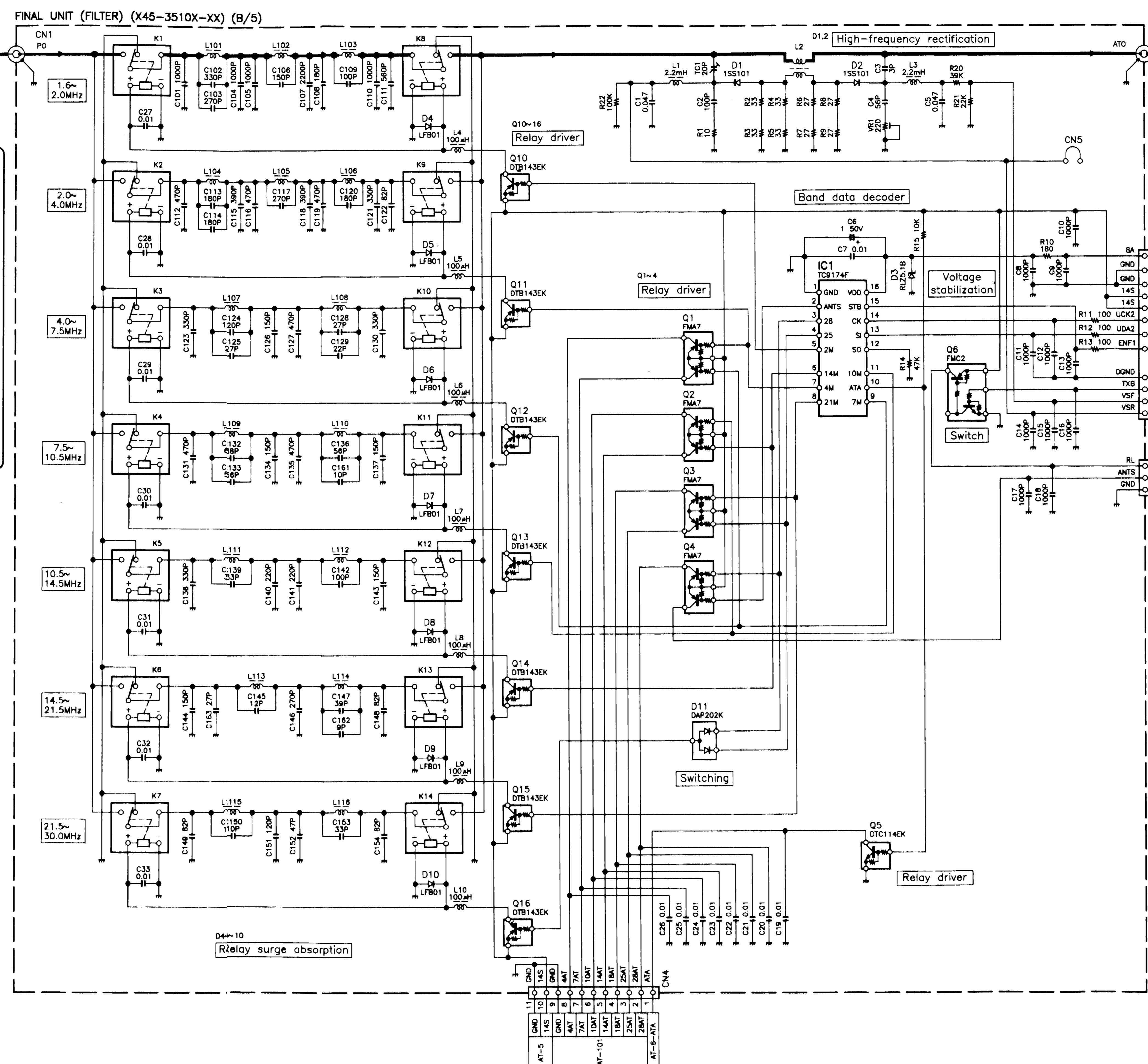
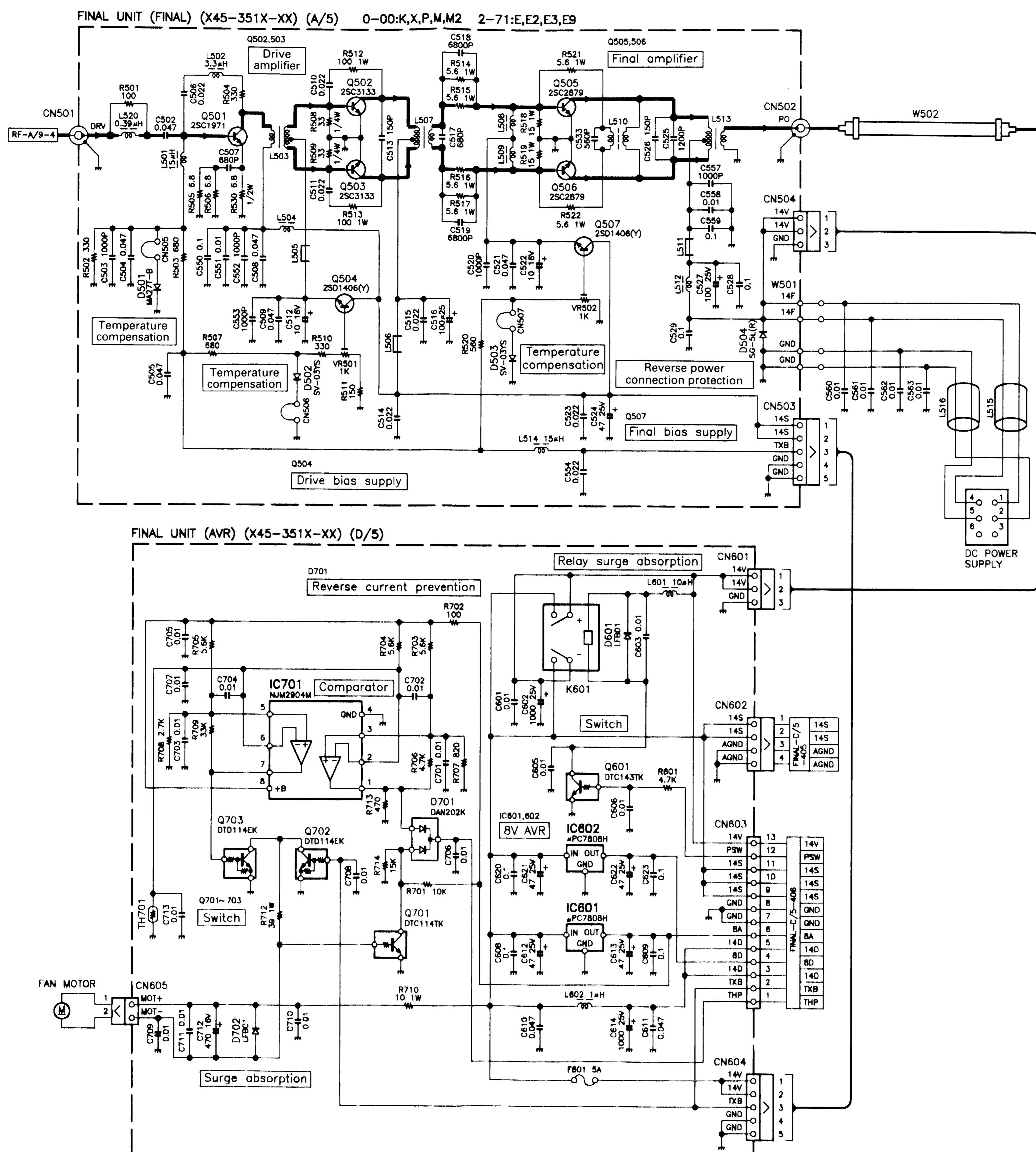


SCHEMATIC DIAGRAM



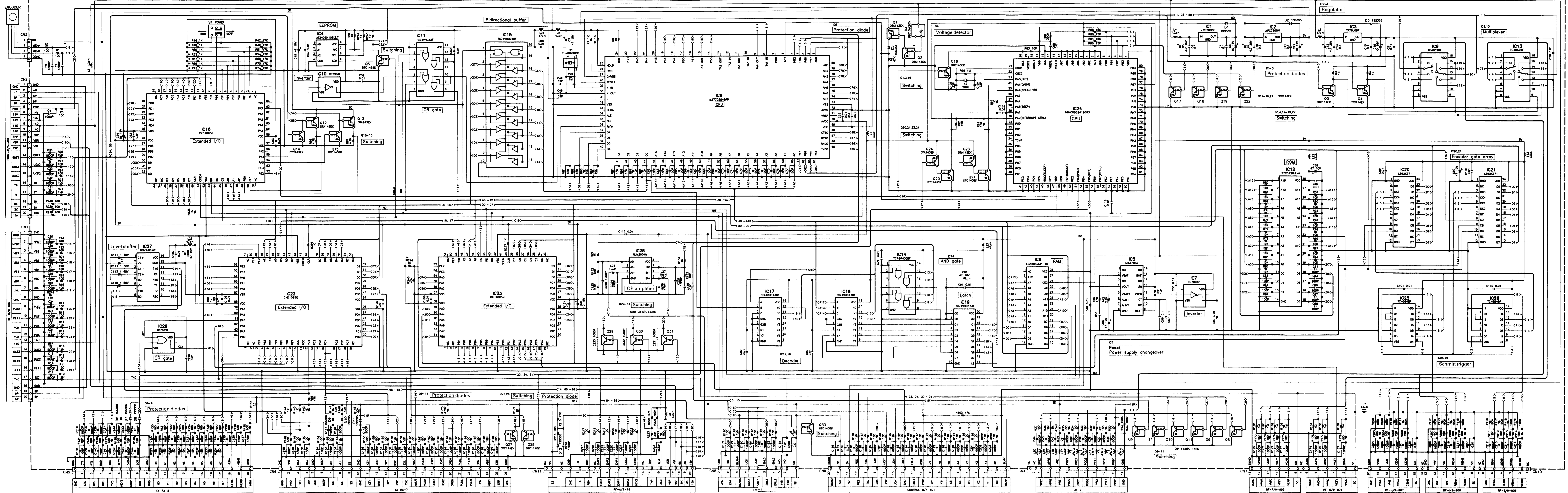
Note:
Circuits are subject to change without notice due to advancements in technology.

Note:
Circuits are subject to change without notice due to advancements in technology.

SCHEMATIC DIAGRAM

B52-0606-00

CONTROL UNIT (CONTROL) (K53-356X-00) (A/1) 0-11K.P 0-21M 0-224Z 0-71X 2-71E 2-72E2 2-73E3 2-74E9

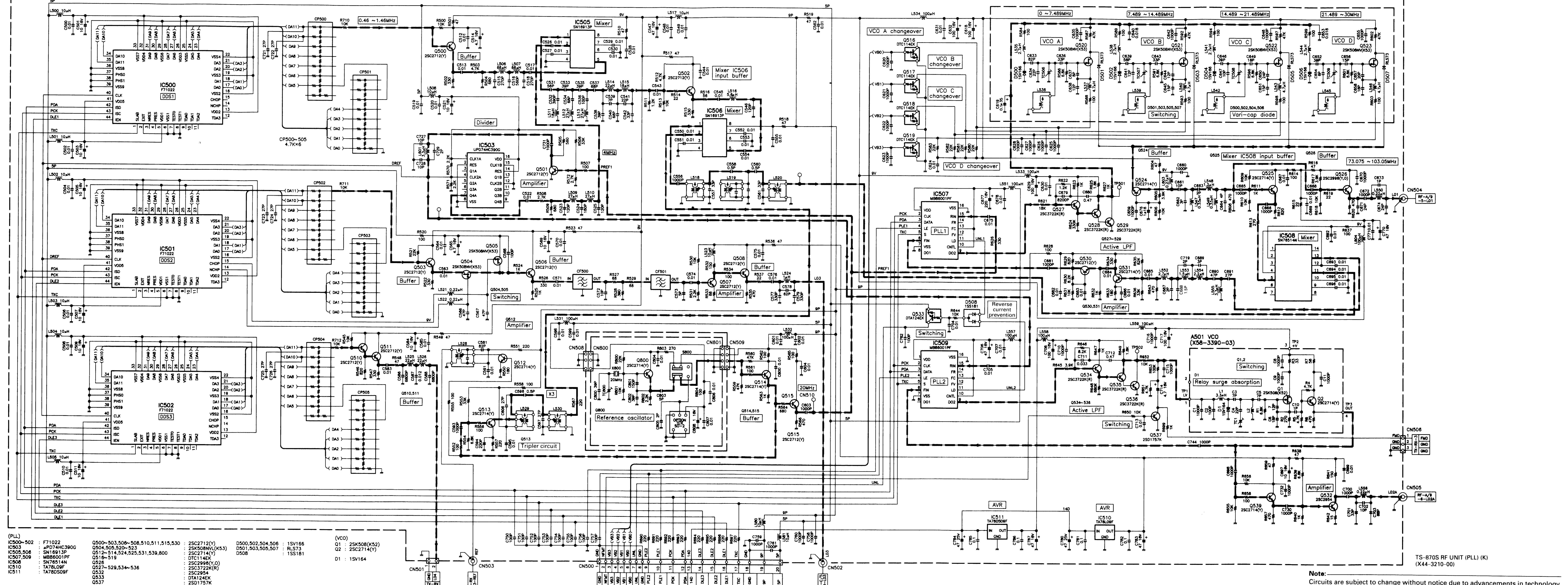


IC#	IC	IC#	IC
IC1	74LS00	IC21	1N4001
IC2	74LS04	IC22	1N4148
IC3	74LS10	IC23	74LS00
IC4	74LS11	IC24	74LS00
IC5	74LS12	IC25	74LS00
IC6	74LS13	IC26	74LS00
IC7	74LS14	IC27	74LS14
IC8	74LS15	IC28	74LS14
IC9	74LS16	IC29	74LS14
IC10	74LS17	IC30	74LS14
IC11	74LS18	IC31	74LS14
IC12	74LS19	IC32	74LS14
IC13	74LS20	IC33	74LS14
IC14	74LS21	IC34	74LS14
IC15	74LS22	IC35	74LS14
IC16	74LS23	IC36	74LS14
IC17	74LS24	IC37	74LS14
IC18	74LS25	IC38	74LS14
IC19	74LS26	IC39	74LS14
IC20	74LS27	IC40	74LS14

Note: Circuits are subject to change without notice due to advancements in technology.

15-8705 (K)

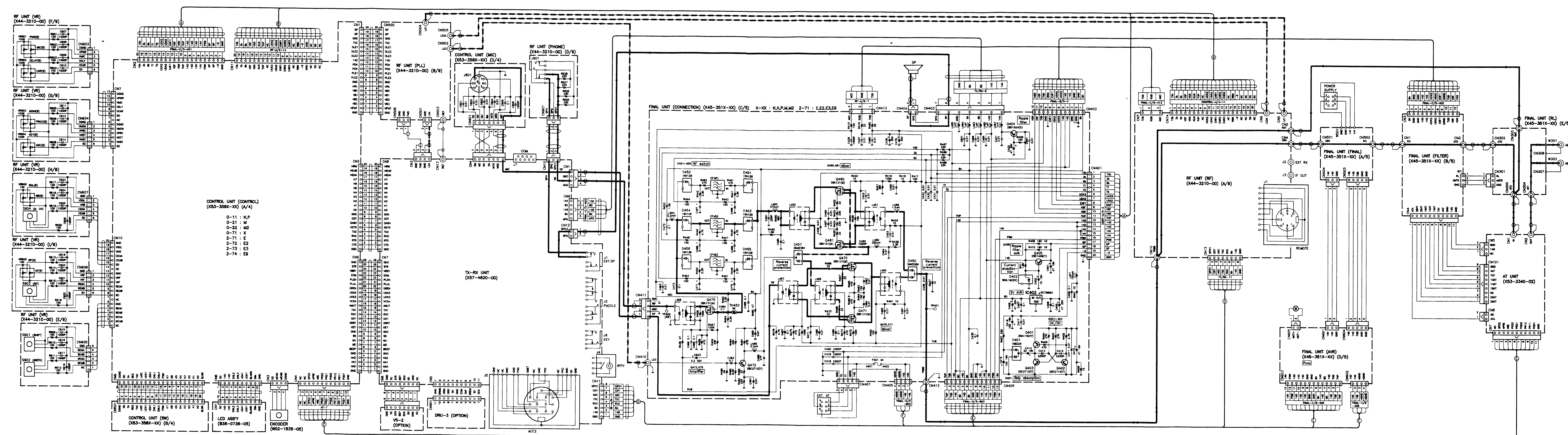
RF UNIT (PLL) (X44-3210-00) (B/9)



IC#	IC	IC#	IC
IC500	74LS00	IC510	74LS00
IC501	74LS00	IC511	74LS00
IC502	74LS00	IC512	74LS00
IC503	74LS00	IC513	74LS00
IC504	74LS00	IC514	74LS00
IC505	74LS00	IC515	74LS00
IC506	74LS00	IC516	74LS00
IC507	74LS00	IC517	74LS00
IC508	74LS00	IC518	74LS00
IC509	74LS00	IC519	74LS00
IC510	74LS00	IC520	74LS00

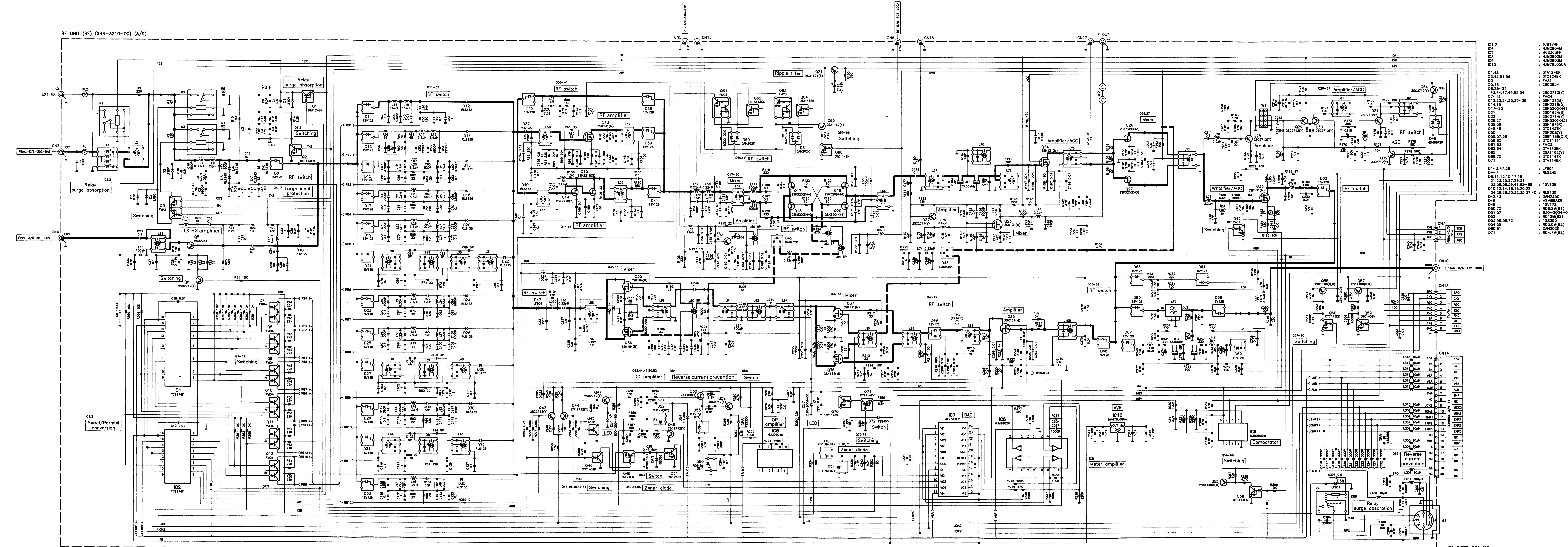
Note: Circuits are subject to change without notice due to advancements in technology.

15-8705 RF UNIT (PLL) (K) (X44-3210-00)



TS-8705 (K)

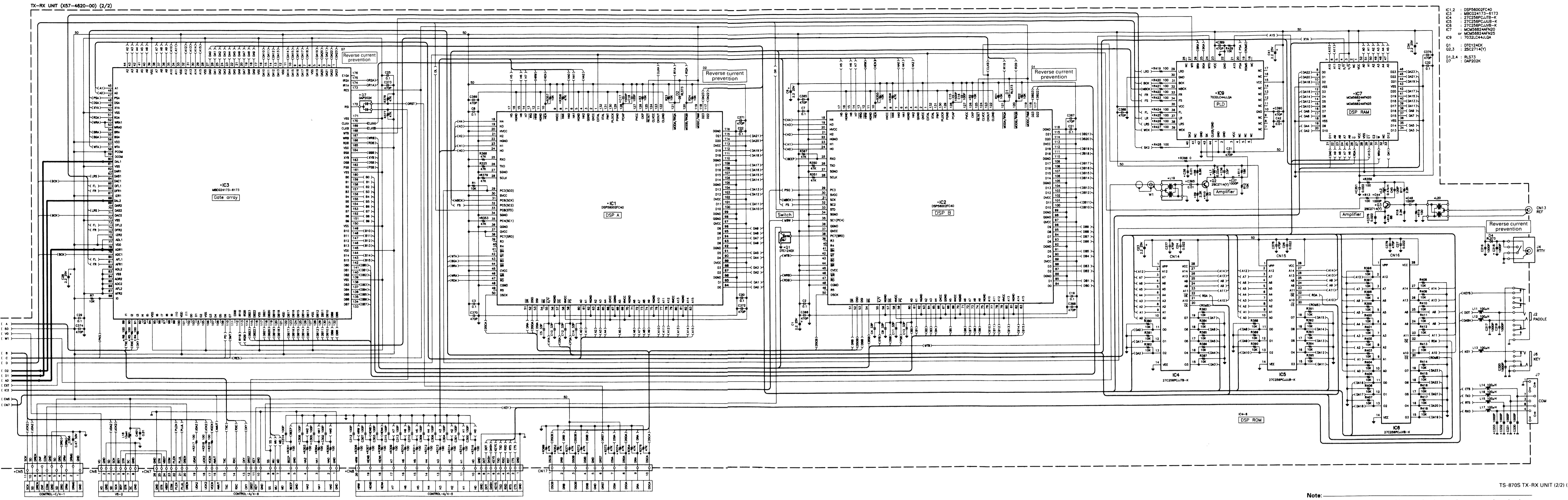
Note:
Circuits are subject to change without notice due to advancements in technology.



- C1.2
- C2
- C3
- IC8
- IC10
- IC11
- IC12
- IC13
- IC14
- IC15
- IC16
- IC17
- IC18
- IC19
- IC20
- IC21
- IC22
- IC23
- IC24
- IC25
- IC26
- IC27
- IC28
- IC29
- IC30
- IC31
- IC32
- IC33
- IC34
- IC35
- IC36
- IC37
- IC38
- IC39
- IC40
- IC41
- IC42
- IC43
- IC44
- IC45
- IC46
- IC47
- IC48
- IC49
- IC50
- IC51
- IC52
- IC53
- IC54
- IC55
- IC56
- IC57
- IC58
- IC59
- IC60
- IC61
- IC62
- IC63
- IC64
- IC65
- IC66
- IC67
- IC68
- IC69
- IC70
- IC71
- IC72
- IC73
- IC74
- IC75
- IC76
- IC77
- IC78
- IC79
- IC80
- IC81
- IC82
- IC83
- IC84
- IC85
- IC86
- IC87
- IC88
- IC89
- IC90
- IC91
- IC92
- IC93
- IC94
- IC95
- IC96
- IC97
- IC98
- IC99
- IC100

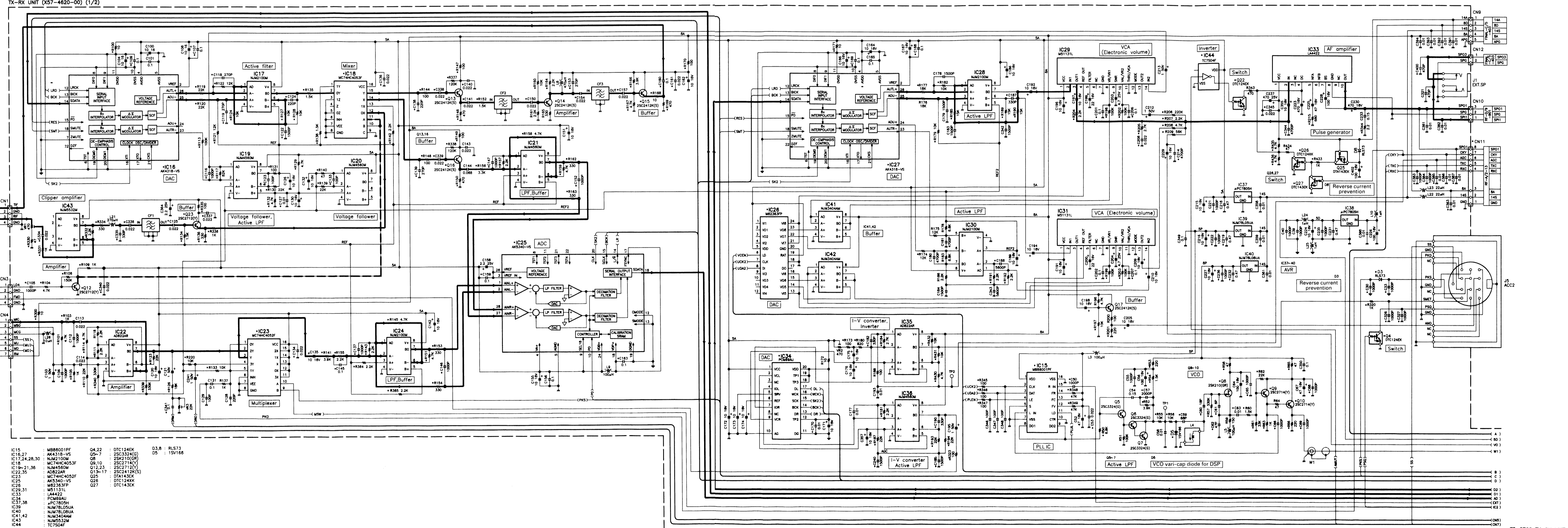
Note:
Circuits are subject to change without notice due to advancements in technology.

TS-8705-RF1 (K)



Note:
Circuits are subject to change without notice due to advancements in technology.

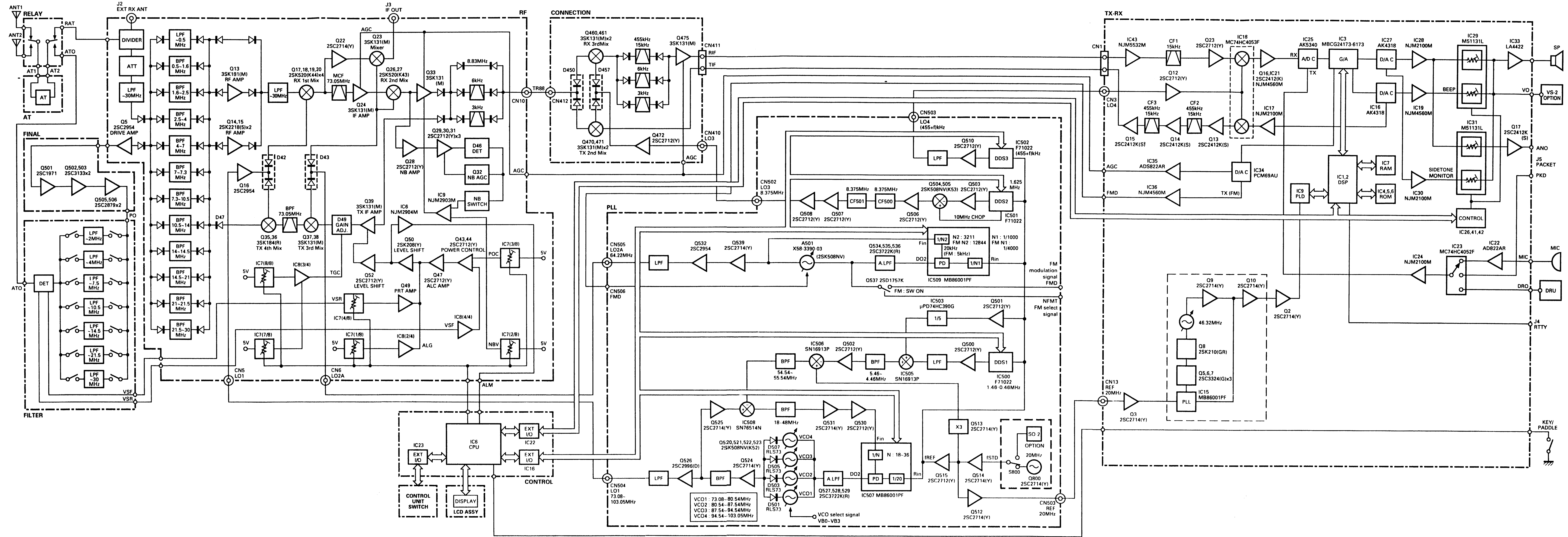
SCHEMATIC DIAGRAM



Note:
Circuits are subject to change without notice due to advancements in technology.

IC15	MB8601PF	Q4.22	DTC124XK	D3.8	RL573
IC16	AKA18-1S	Q9.7	2SC2147(1)	D5	15V166
IC17,24,28,30	NM2100M	Q9.10	2SK210(G)		
IC18	MC74HC4053F	Q9.12	2SC2171(V)		
IC19-21,36	NM4500M	Q12.3	2SC2171(V)		
IC22,35	AD822M	Q13.17	2SC2147K(S)		
IC23	MC74HC4052F	Q26	QTA145K		
IC24	AKS340-VS	Q27	DTC124KK		
IC25	MS3531P		DTC124KK		
IC26	MS3531P		DTC124KK		
IC27,31	M51131L				
IC28,34	LA4422				
IC29,38	PCMB8AU				
IC30	APC7800M				
IC31	NM78L05IA				
IC32	NM78L05IA				
IC33	NM3404AM				
IC34	NM4500M				
IC44	TC7650F				

**TS-870S
BLOCK DIAGRAM**



Note:
Circuits are subject to change without notice due to advancements in technology.