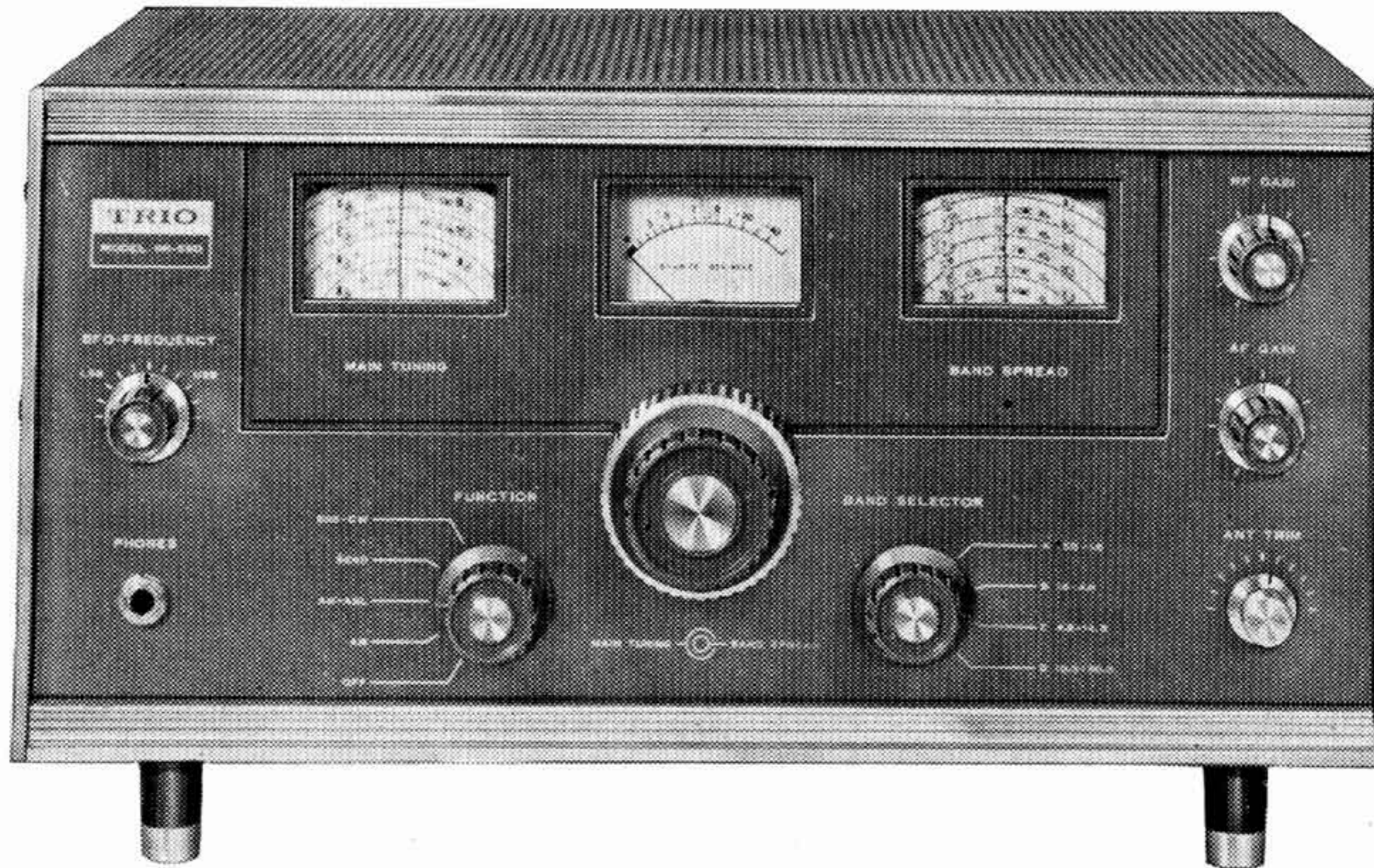


Technicians Marvel Over The Complete Perfection

MODEL 9R - 59DE



Model 9R - 59DE Built in mechanical filter 8 tube communication Receiver

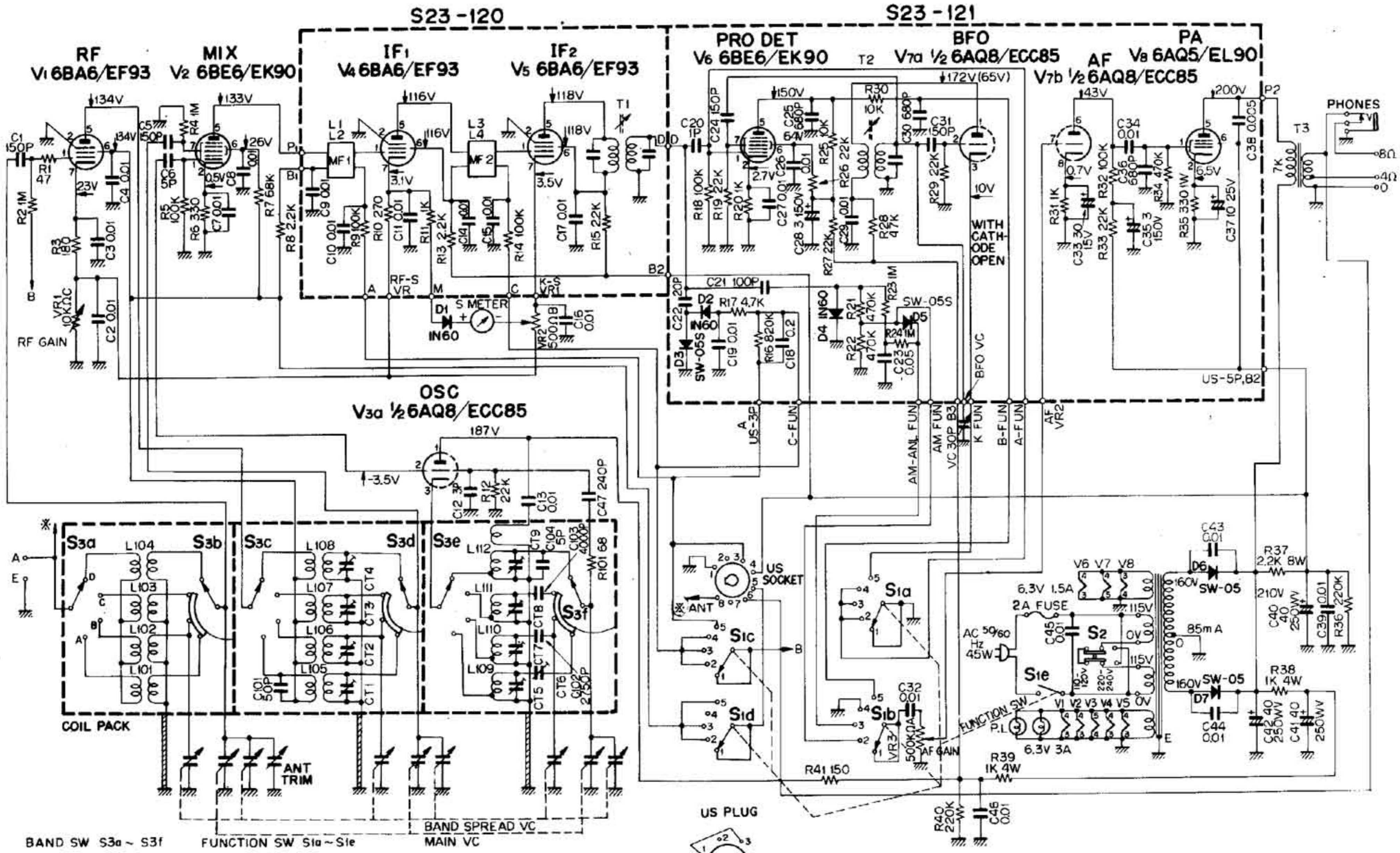
- * Illuminated dials permit easy tuning and band spread readings
- * Continuous coverage from 550 kHz to 30 MHz and direct reading dial on amateur bands.
- * Close calibration accuracy with an excellent anti-backlash mechanism.
- * A mechanical filter enabling superb selectivity with ordinary IF transformers.
- * One RF and two audio stages of amplification, insuring high sensitivity and selectivity.
- * A Product Detector making possible clear SSB reception.

Specifications:

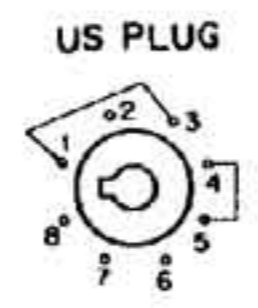
- * Frequency Ranges:

Band A	550 - 1600 kHz
B	1,6 - 4,8 MHz
C	4,8 - 14,5 MHz
D	10,5 - 30 MHz
- * Sensitivity: Less than 6 dB (for 10 dB S/N Ratio)
- * Selectivity: ± 5 kHz at -50 dB
- * Power Consumption: 45 watts
- * Audio Power Output: 1,5 watts
- * Tube & Diode Complement: 6BA6 x 3, 6BE6 x 2, 6AQ8 x 2, 6AQ5 x 2, SW-05S x 2, SW-05 x 2, IN60 x 2
- * Dimensions: Width 15", Height 7", Depth 10"

SCHEMATIC DIAGRAM



- BAND SW S3a ~ S3f**
- A. 550 ~ 1600 kHz
 - B. 1.6 ~ 4.8 MHz
 - C. 4.8 ~ 14.5 MHz
 - D. 10.5 ~ 30 MHz
- FUNCTION SW S1a ~ S1e**
- 1. POWER OFF
 - 2. AM
 - 3. AM ANL
 - 4. SEND
 - 5. SSB-CW
- MAIN VC**



ADJUSTMENT SCREW

ANT

RF

OSC



A BAND

55-1.6MC



TRIM



TRIM

B BAND

1.6-4.8MC



CORE



CORE



CORE



TRIM



TRIM

C BAND

4.8-14.5MC



CORE



CORE



CORE



TRIM



TRIM

D BAND

10.5-30.0MC



CORE



TRIM



TRIM



CORE



CORE

02

ADJUSTMENT SCREW

ANT	<input type="radio"/>	M	<input type="radio"/>	OSC	<input type="radio"/>
A BAND	<input type="radio"/>	<input type="radio"/>	<input type="radio"/>	<input type="radio"/>	<input type="radio"/>
S BAND	<input type="radio"/>	<input type="radio"/>	<input type="radio"/>	<input type="radio"/>	<input type="radio"/>
A BAND	<input type="radio"/>	<input type="radio"/>	<input type="radio"/>	<input type="radio"/>	<input type="radio"/>
16.4 BAND	<input type="radio"/>	<input type="radio"/>	<input type="radio"/>	<input type="radio"/>	<input type="radio"/>
C BAND	<input type="radio"/>	<input type="radio"/>	<input type="radio"/>	<input type="radio"/>	<input type="radio"/>
12.1 BAND	<input type="radio"/>	<input type="radio"/>	<input type="radio"/>	<input type="radio"/>	<input type="radio"/>
D BAND	<input type="radio"/>	<input type="radio"/>	<input type="radio"/>	<input type="radio"/>	<input type="radio"/>
12.5 BAND	<input type="radio"/>	<input type="radio"/>	<input type="radio"/>	<input type="radio"/>	<input type="radio"/>

101

