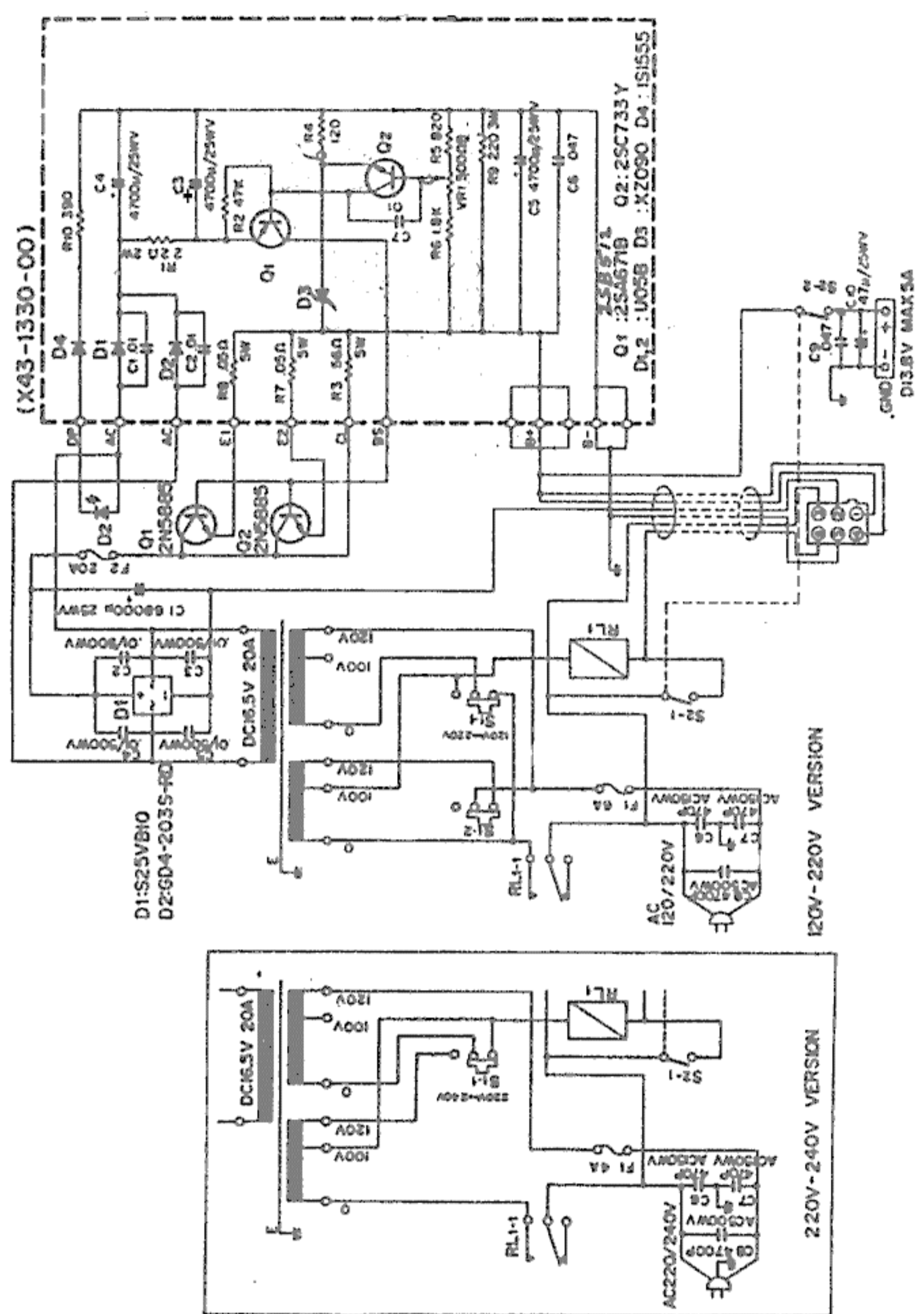


# SCHEMATIC DIAGRAM

• Circuit design and ratings are subject to change for improvement without notice.



Downloaded by   
 Amateur Radio Directory   
  
[www.hamdirectory.info](http://www.hamdirectory.info)

PS-30

A product of  
**TRIO-KENWOOD CORPORATION**  
 17-5, 2-chome, shibuya, shibuya-ku Tokyo 150, Japan

**TRIO-KENWOOD COMMUNICATIONS**  
 1111 West Walnut Street, Compton California 90220, U.S.A  
**TRIO-KENWOOD COMMUNICATIONS, GmbH**  
 D-6374 Steinbach TS, Industriestrasse 8A, West Germany  
**TRIO-KENWOOD ELECTRONICS, N.V.**  
 Leuvensesteenweg 504, B-1930 Zaventem, Belgium  
**TRIO-KENWOOD (AUSTRALIA) PTY. LTD.**  
 4E Woodcock Place, Lane Cove N.S.W. 2066, Australia