

MFJ-1024 REMOTE ACTIVE ANTENNA

The MFJ-1024 Remote Active Antenna is designed to provide reception of radio signals from 50 KHz to 30 MHz using a remote mounted antenna and amplifier module.

INSTALLATION

1. Attach the remote unit to your pole or other mounting location and run the cable to your receiver location.
2. Connect the cable from the remote unit to the REMOTE ANTENNA jack on the back of the base unit. The jack is a PL-259 type.
3. Connect a 12-15 VDC power supply or an MFJ 12V AC adapter to the PWR jack on the back of the base unit. The power jack accepts a 2.5mm subminiature plug, with the tip positive.
4. Connect your receiver or receivers to the jacks labeled RECEIVER A and RECEIVER B on the back of the base unit. The jacks accept RCA type plugs.
5. If desired, an auxilliary antenna may be connected to the AUX ANT jack on the base unit.

OPERATION

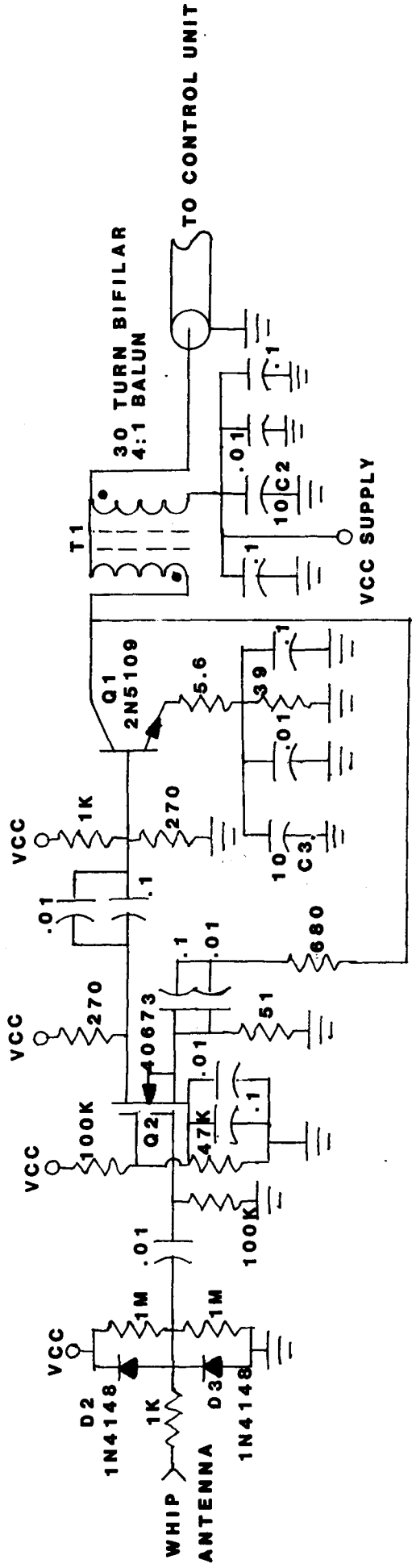
After proper installation of the Remote Active Antenna, turn on your receiver and depress the PWR ON switch on the antenna base unit. The front panel LED should light, indicating circuit operation. Select receiver A or B by pressing the REC A/B switch. Set the attenuation switch to -0db. Set the GAIN control to the 9 o'clock position.

Tune your receiver to the frequency you wish to listen to.

Increase GAIN to desired level. Best circuit operation may be achieved at less than maximum GAIN setting. On very strong signals that may overload your receiver, it may be necessary to set the attenuation switch to the -20db position to reduce the signal strength.

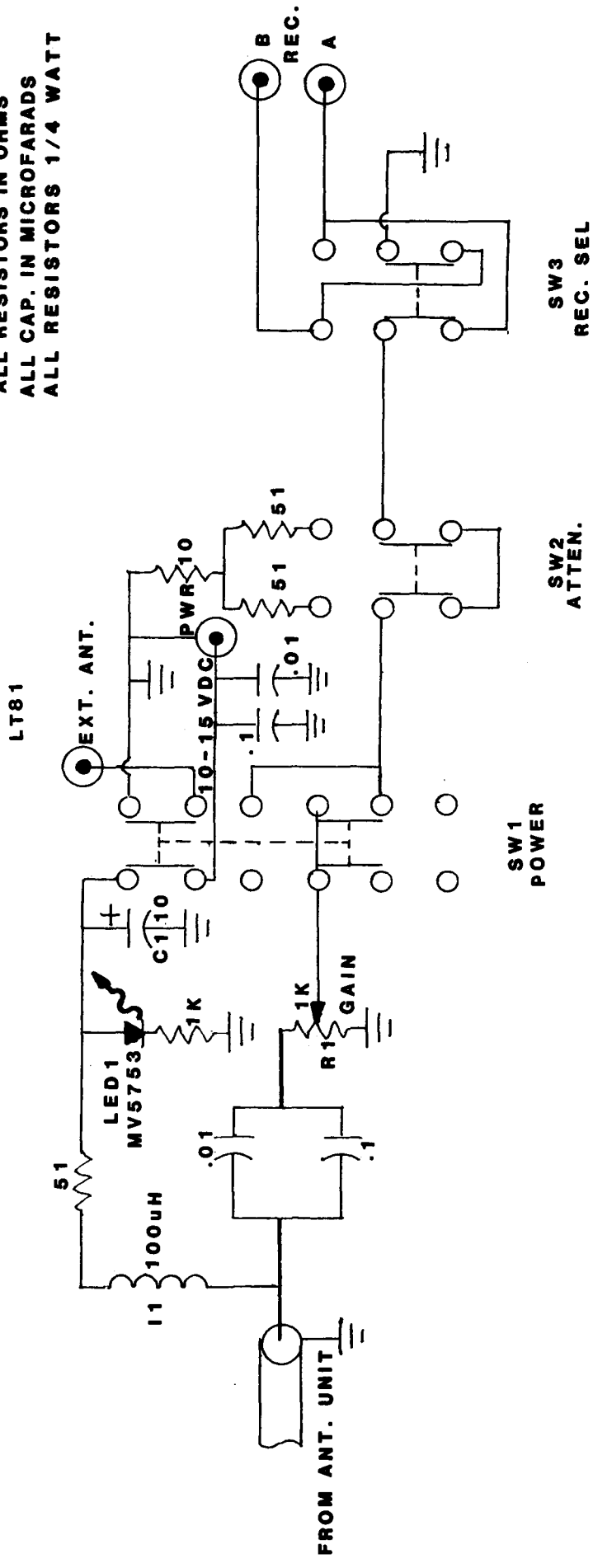
NOTE: On some portable receivers, especially those with plastic cabinets, oscillation may occur at some frequencies if GAIN is set too high. If this happens, reduce the level of the GAIN control until oscillations disappear.

When the power switch is in the AUX position the power to the remote antenna and amplifier module is cut off and your receiver is connected to the auxilliary antenna jack on the base unit. Any antenna of your choice may be connected to the jack. When the unit is in the auxilliary mode, the GAIN control is not operational, but the attenuation and receiver select controls will work with your auxilliary antenna.



MFJ-1024 REMOTE ACTIVE ANTENNA

ALL RESISTORS IN OHMS
 ALL CAP. IN MICROFARADS
 ALL RESISTORS 1/4 WATT



SW1
POWER

SW2
ATTEN.

SW3
REC. SEL