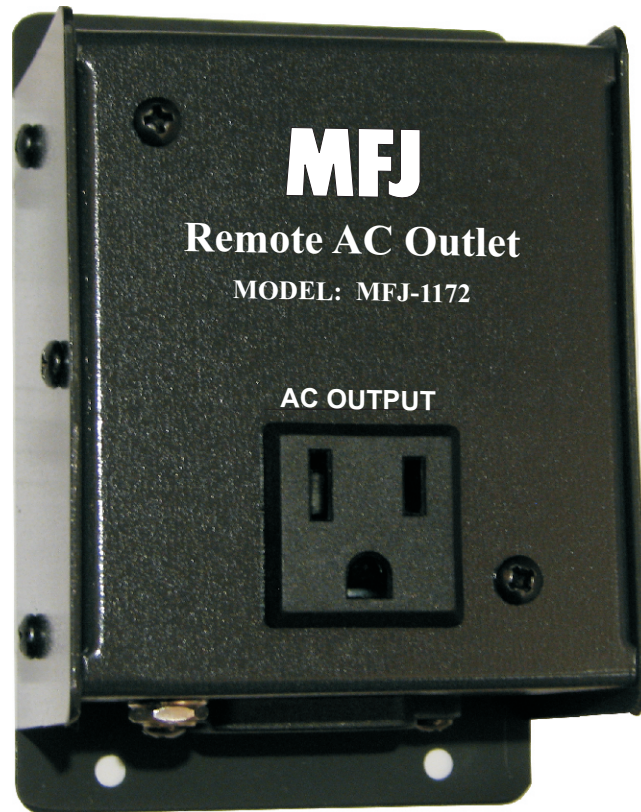


# MFJ

## *Remote AC On/Off Switch Controller*

Model MFJ-1172



INSTRUCTION MANUAL

CAUTION: Read All Instructions Before Operating Equipment

# MFJ ENTERPRISES, INC.

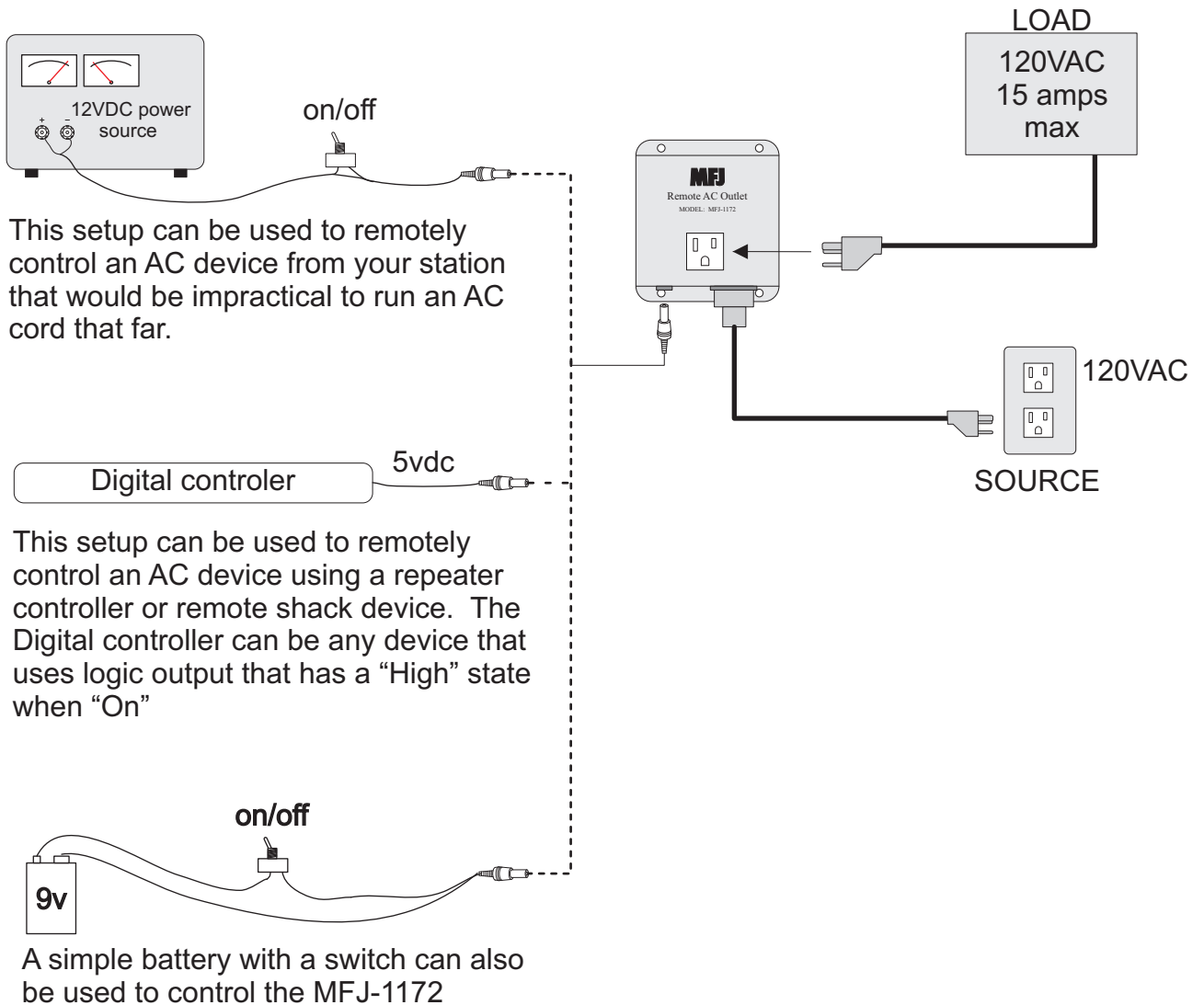
300 Industrial Park Road  
Starkville, MS 39759 USA  
Tel: 662-323-5869 Fax: 662-323-6551

## Introduction

Thank you for purchasing the MFJ-1172 Remote AC power switch. This switch is designed to remotely switch on or off an AC powered device using a 3-24 volt dc voltage. The control voltage input is completely isolated from the input or output AC voltage using an optical isolation device. The MFJ-1172 can be switched using any device that provides at least a positive 3 volt to 24 volt dc source.

## Example of Operation

The diagram below shows an illustration of how the MFJ-1172 can be connected. The source or load may not be the same as yours but you will get an idea of how the device operates and what applications it can be used for. The basic idea is to allow you to switch on or off a 120VAC device using a low 3 to 24 VDC source. Avoid using control devices that drop or raise the output slowly. This will cause output relay to chatter when it approaches the switching voltage. Chatter may damage the relay and the load you are switching.



## Caution

Do not use the MFJ-1172 to switch large inductive loads such as high current motors. Inductive loads will cause arcing in the relay and eventual failure.

A ceramic fuse is located inside the unit. This fuse is inline with the output of the MFJ-1172. If the load draws current in excess of 15 amps, this fuse will blow and cause the unit to turn off.

When replacing this fuse, always unplug the unit. Never have the unit plugged in when the cover is off. Use a suitable 120 volt or greater fuse. Do not use automotive fuses.

## Troubleshooting

Relay chatter is caused by input control voltages that are at the threshold of the optical device. This value is just below 3 volts.

Avoid area just below 3V control voltage.



If the device will not switch on, check the polarity of the control voltage. The positive voltage should be connected to the center pin on the jack. The negative should be connected to the outer rim of the jack.



## 12 MONTH LIMITED WARRANTY

MFJ Enterprises, Inc. Warrants to the original owner of this product, if manufactured by MFJ Enterprises, Inc. and purchased from an authorized dealer or directly from MFJ Enterprises, Inc. to be free from defects in material and workmanship for a period of 12 months from date of purchase provided the following terms of this warranty are satisfied.

1. The purchaser must retain the dated proof-of-purchase (bill of sale, canceled check, credit card or money order receipt, etc.) describing the product to establish the validity of the warranty claim and submit the original or machine reproduction of such proof-of-purchase to MFJ Enterprises, Inc. at the time of warranty service. MFJ Enterprises, Inc. shall have the discretion to deny warranty without dated proof-of-purchase. Any evidence of alteration, erasure, or forgery shall be cause to void any and all warranty terms immediately.
2. MFJ Enterprises, Inc. agrees to repair or replace at MFJ's option without charge to the original owner any defective product under warranty, provided the product is returned postage prepaid to MFJ Enterprises, Inc. with a personal check, cashiers check, or money order for \$12.00 covering postage and handling.
3. MFJ Enterprises, Inc. will supply replacement parts free of charge for any MFJ product under warranty upon request. A dated proof-of-purchase and a \$5.00 personal check, cashiers check, or money order must be provided to cover postage and handling.
4. This warranty is NOT void for owners who attempt to repair defective units. Technical consultation is available by calling (662) 323-5869.
5. This warranty does not apply to kits sold by or manufactured by MFJ Enterprises, Inc.
6. Wired and tested PC board products are covered by this warranty provided only the wired and tested PC board product is returned. Wired and tested PC boards installed in the owner's cabinet or connected to switches, jacks, or cables, etc. sent to MFJ Enterprises, Inc. will be returned at the owner's expense unrepared.
7. Under no circumstances is MFJ Enterprises, Inc. liable for consequential damages to person or property by the use of any MFJ products.
8. Out-of-warranty Service: MFJ Enterprises, Inc. will repair any out-of-warranty product provided the unit is shipped prepaid. All repaired units will be shipped COD to the owner. Repair charges will be added to the COD fee unless other arrangements are made.
9. This warranty is given in lieu of any other warranty expressed or implied.
10. MFJ Enterprises, Inc. reserves the right to make changes or improvements in design or manufacture without incurring any obligation to install such changes upon any of the products previously manufactured.
11. All MFJ products to be serviced in-warranty or out-of-warranty should be addressed to MFJ Enterprises, Inc., 300 Industrial Park Road, Starkville, Mississippi 39759, USA and must be accompanied by a letter describing the problem in detail along with a copy of your dated proof-of-purchase.
12. This warranty gives you specific rights, and you may also have other rights, which vary from state to state.