

MFJ-1798 Vertical Antenna Manual Addendum

The MFJ-1798 Vertical Antenna has been improved with the redesign of the spoke mounting rings. As a result the following sections of the instruction manual should be replaced with the information in this addendum:

- 1) MFJ-1798 PARTS LIST, (Page 6)
- 2) Assembly and Installation Instructions, Steps 44 - 46 (Page 19)

MFJ-1798 PARTS LIST

New Parts

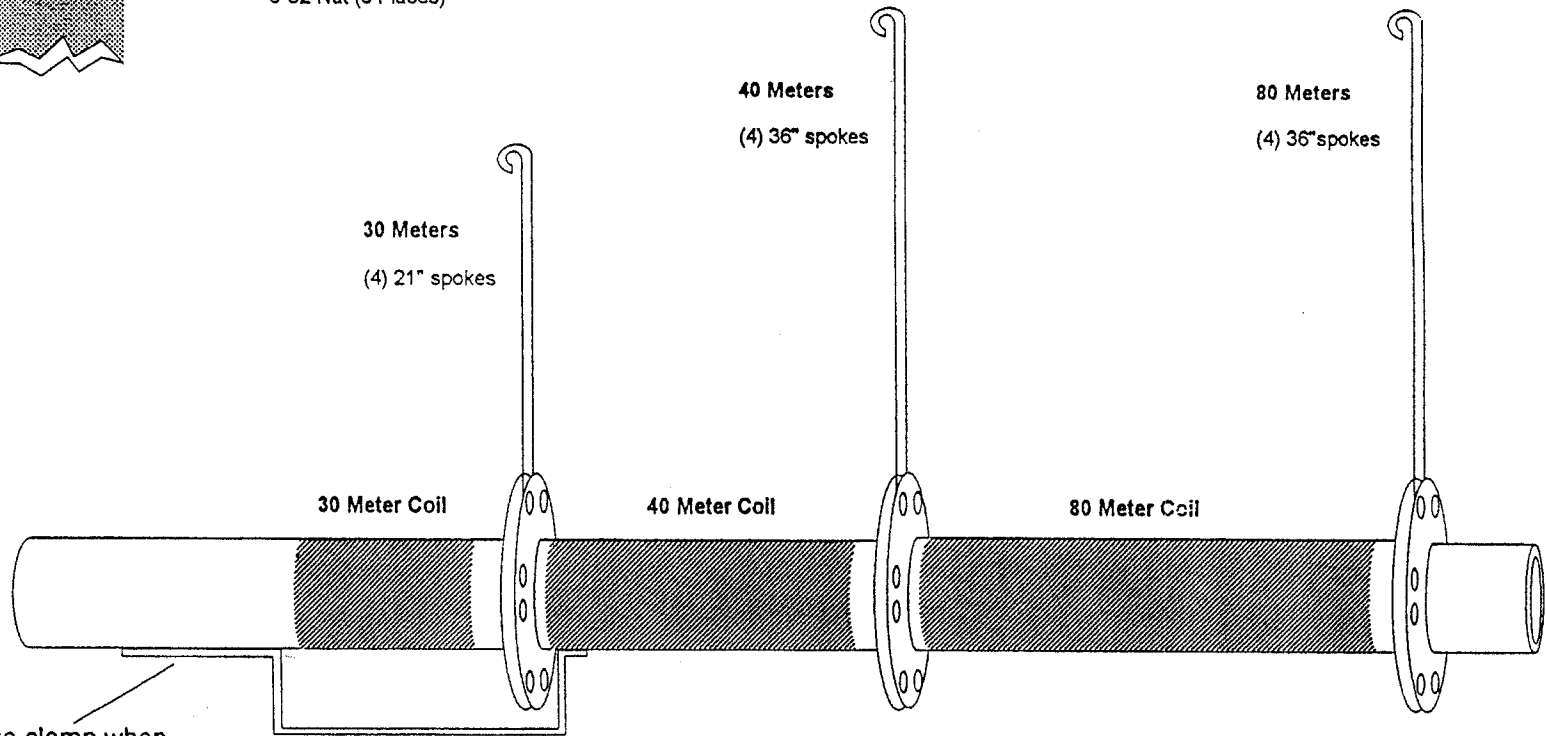
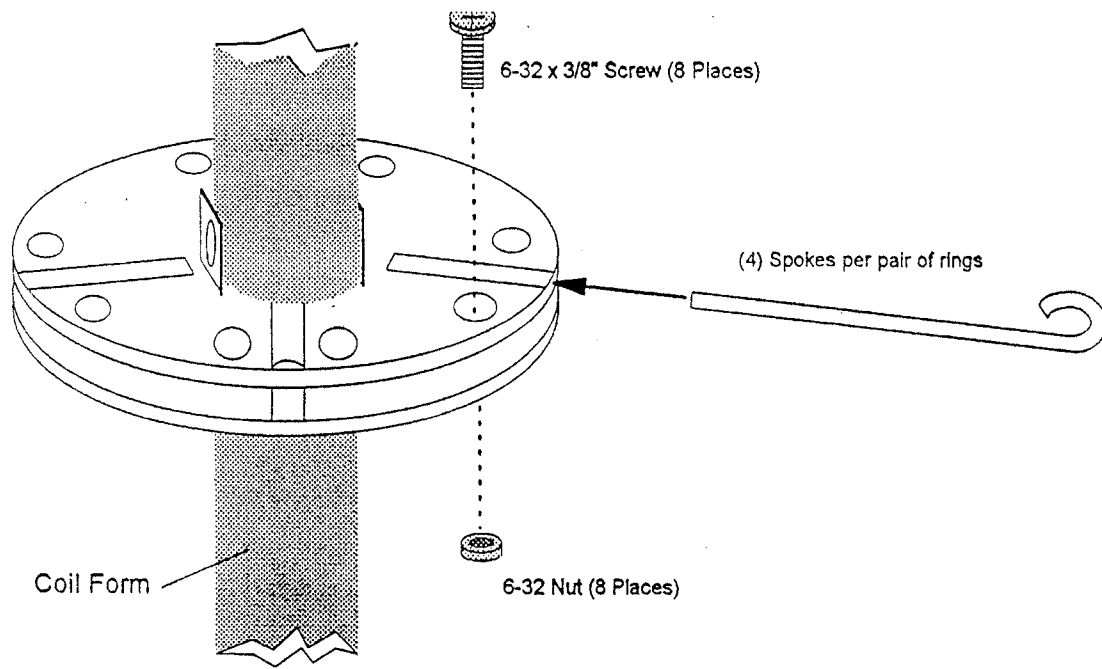
- [] (24) 6-32 x 3/8" Screw SS
- [] (24) 6-32 Nut Keps SS
- [] (1) Fiberglass Coil Assembly 1" diameter fiberglass, 30 1/2" long
- [] (1) set of capacitance spokes, 1/8" diameter rod, 4 short, 8 long (and 2 spare long spokes)

All other parts are the same.

Assembly and Installation Instructions

- [] 44. Loosely install (8) 6-32 x 3/8" screws and (8) 6-32 Keps nuts in each ring pair on the loading coil assembly. Install four short spokes (21") in the 30 meter rings as shown in Figure 1 on the reverse side of this sheet. Tighten the screws.
- [] 45. Install four long spokes (36") in the 40 meter rings. Tighten the screws.
- [] 46. Install four long spokes (36") in the 80 meter rings. Tighten the screws.

FIGURE 1
MFJ-1798 Coil Assembly



Be sure this strap is clamped under a hose clamp when attaching coil assemblies to radiator