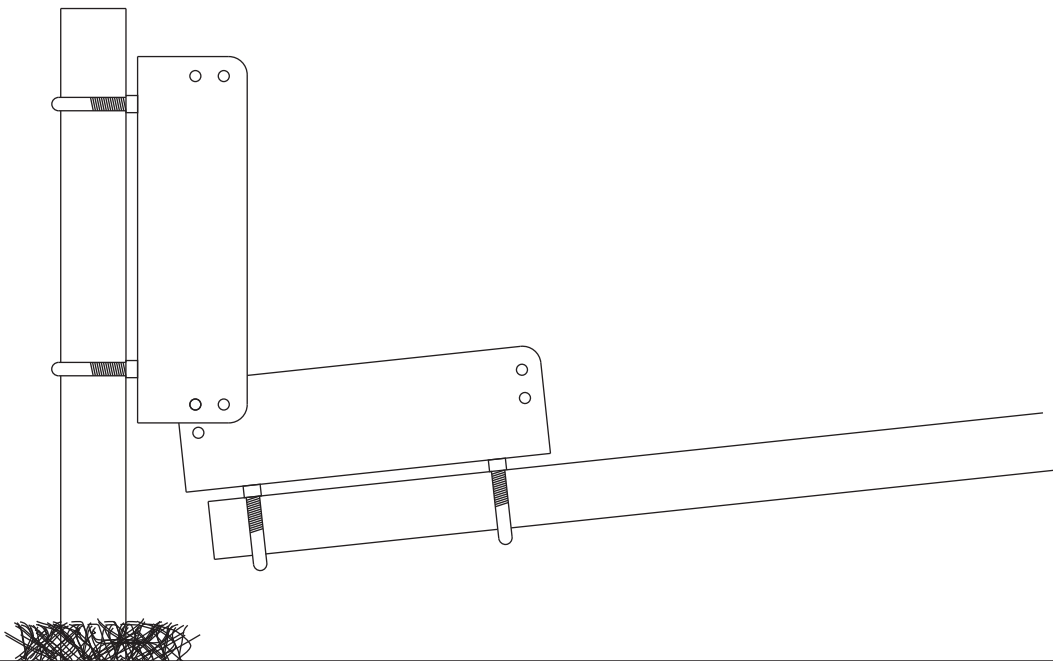


MFJ

MODEL MFJ-1903 Universal Vertical Antenna Tilt Base

INSTRUCTION MANUAL



300 Industrial Park Road
Starkville, MS 39759 USA
ph:(662) 323-5869 Fax: (662) 323-6551

Made in USA

MFJ-1903 Tilt-Mount Instruction Sheet

Introduction: The MFJ-1903 Universal Vertical Tilt Base is designed to let you assemble and adjust your vertical antenna on the ground, then walk it up into its vertical operating position with safety and minimal effort. Made from rugged 1/8-inch aluminum plate, the MFJ-1903 features a pattern of pre-punched mounting holes that accept most common U-bolt sizes for antenna masts up to 2-1/4 inches in diameter. In addition, you can bolt many popular verticals using insulated base brackets directly to the MFJ-1903 swing plate without using U-bolts (Hy-Gain AV18VS, AV18AVQII, AV14AVQ, AV12 AVQ, DX-88, etc). The MFJ-1903 also provides spare bolt holes for connecting a ground rod or a radial system.

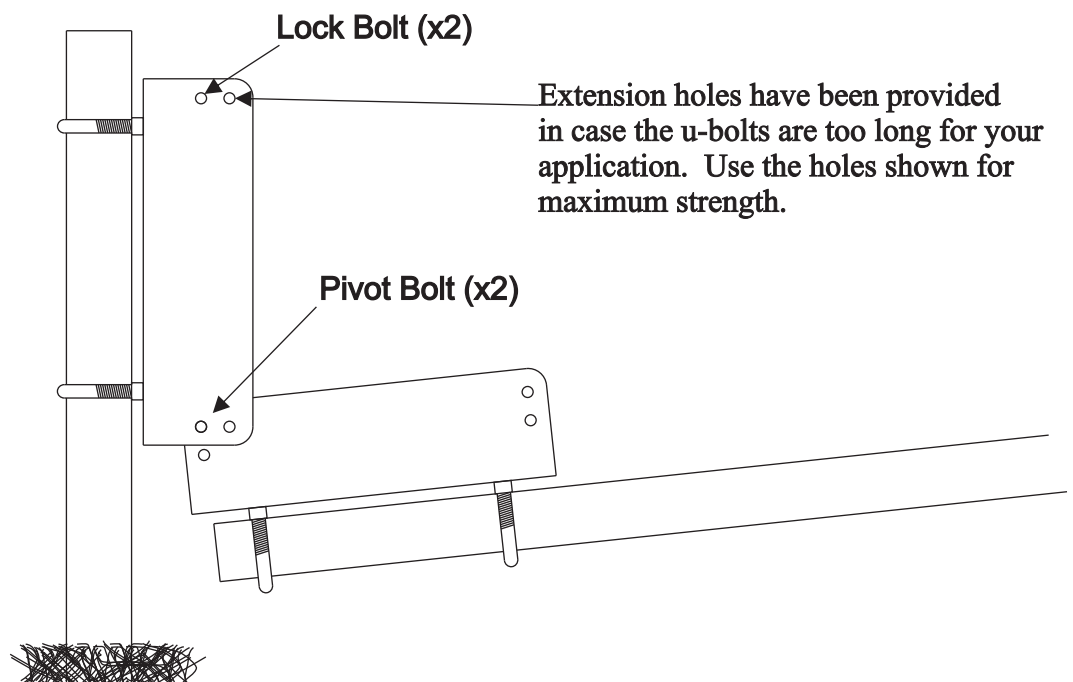
Installation Instructions: Before assembling your MFJ-1903, please check the parts list on page-2 to confirm that all listed items are included.

[] Find the two 2-1/4" U-bolts and 3/8" hardware. Attach the base bracket (wider of the two mounting plates) securely to your base support.

[] Find two 5/16" bolts and hardware. Attach the tilt bracket (narrower plate) to the base bracket's pivot point, as shown below. Do not over-tighten -- the tilt bracket should remain moveable.

[] Using your antenna's mounting hardware, install the support mast (or insulated bracket) onto the face of the tilt bracket.

[] After the antenna has been raised vertically into position, lock the tilt bracket to the base bracket using the remaining two 5/16" bolts and hardware. Check and re-tighten all hardware to ensure everything is tight.



Base Support: Your base support pipe (not included with the MFJ-1903 kit) should be made from thick-wall steel or aluminum tubing and extend at least 3 to 4 feet below ground. For multi-band verticals, we recommend seating the pipe in a 10-inch diameter posthole filled with ready-mix concrete to ensure stability. Note that antenna base supports should always be located well clear of power lines or neighboring property to avoid exposure to life-threatening injury or liability.

Parts List: Please check the contents of your MFJ-1903 package for the following items:

- | | | |
|--------------------------|---|-------------------------|
| <input type="checkbox"/> | 1 | Base bracket |
| <input type="checkbox"/> | 1 | Tilt bracket |
| <input type="checkbox"/> | 2 | 2-1/4" x 3/8" U-bolts |
| <input type="checkbox"/> | 2 | 2-1/4" Mast Saddles |
| <input type="checkbox"/> | 4 | 3/8" nut |
| <input type="checkbox"/> | 4 | 3/8" flat washer |
| <input type="checkbox"/> | 4 | 3/8" split lock washer |
| <input type="checkbox"/> | 4 | 5/16" x 3/4" bolt |
| <input type="checkbox"/> | 4 | 5/16" nuts |
| <input type="checkbox"/> | 4 | 5/16" flat washer |
| <input type="checkbox"/> | 4 | 5/16" split lock washer |

Missing or Defective Parts: MFJ warrants that all listed items for your MFJ-1903 tilt-mount kit are included and free from defect. If your bill of materials is missing parts or contains damaged items, contact the factory by phone at (662) 323-5869 to arrange for replacement or write. Our mailing and shipping address is: MFJ, 300 Industrial Park Road, Starkville, MS 39759. Please do not return any items to MFJ unless explicitly authorized to do by MFJ Customer Service.

12 MONTH LIMITED WARRANTY

MFJ Enterprises, Inc. Warrants to the original owner of this product, if manufactured by MFJ Enterprises, Inc. and purchased from an authorized dealer or directly from MFJ Enterprises, Inc. to be free from defects in material and workmanship for a period of 12 months from date of purchase provided the following terms of this warranty are satisfied.

1. The purchaser must retain the dated proof-of-purchase (bill of sale, canceled check, credit card or money order receipt, etc.) describing the product to establish the validity of the warranty claim and submit the original or machine reproduction of such proof-of-purchase to MFJ Enterprises, Inc. at the time of warranty service. MFJ Enterprises, Inc. shall have the discretion to deny warranty without dated proof-of-purchase. Any evidence of alteration, erasure, or forgery shall be cause to void any and all warranty terms immediately.
2. MFJ Enterprises, Inc. agrees to repair or replace at MFJ's option without charge to the original owner any defective product under warranty, provided the product is returned postage prepaid to MFJ Enterprises, Inc. with a personal check, cashiers check, or money order for \$7.00 covering postage and handling.
3. MFJ Enterprises, Inc. will supply replacement parts free of charge for any MFJ product under warranty upon request. A dated proof-of-purchase and a \$5.00 personal check, cashiers check, or money order must be provided to cover postage and handling.
4. This warranty is NOT void for owners who attempt to repair defective units. Technical consultation is available by calling (662) 323-5869.
5. This warranty does not apply to kits sold by or manufactured by MFJ Enterprises, Inc.
6. Wired and tested PC board products are covered by this warranty provided only the wired and tested PC board product is returned. Wired and tested PC boards installed in the owner's cabinet or connected to switches, jacks, or cables, etc. sent to MFJ Enterprises, Inc. will be returned at the owner's expense unrepai red.
7. Under no circumstances is MFJ Enterprises, Inc. liable for consequential damages to person or property by the use of any MFJ products.
8. Out-of-warranty Service: MFJ Enterprises, Inc. will repair any out-of-warranty product provided the unit is shipped prepaid. All repaired units will be shipped COD to the owner. Repair charges will be added to the COD fee unless other arrangements are made.
9. This warranty is given in lieu of any other warranty expressed or implied.
10. MFJ Enterprises, Inc. reserves the right to make changes or improvements in design or manufacture without incurring any obligation to install such changes upon any of the products previously manufactured.
11. All MFJ products to be serviced in-warranty or out-of-warranty should be addressed to MFJ Enterprises, Inc., 300 Industrial Park Road, Starkville, Mississippi 39759, USA and must be accompanied by a letter describing the problem in detail along with a copy of your dated proof-of-purchase.
12. This warranty gives you specific rights, and you may also have other rights, which vary from state to state.