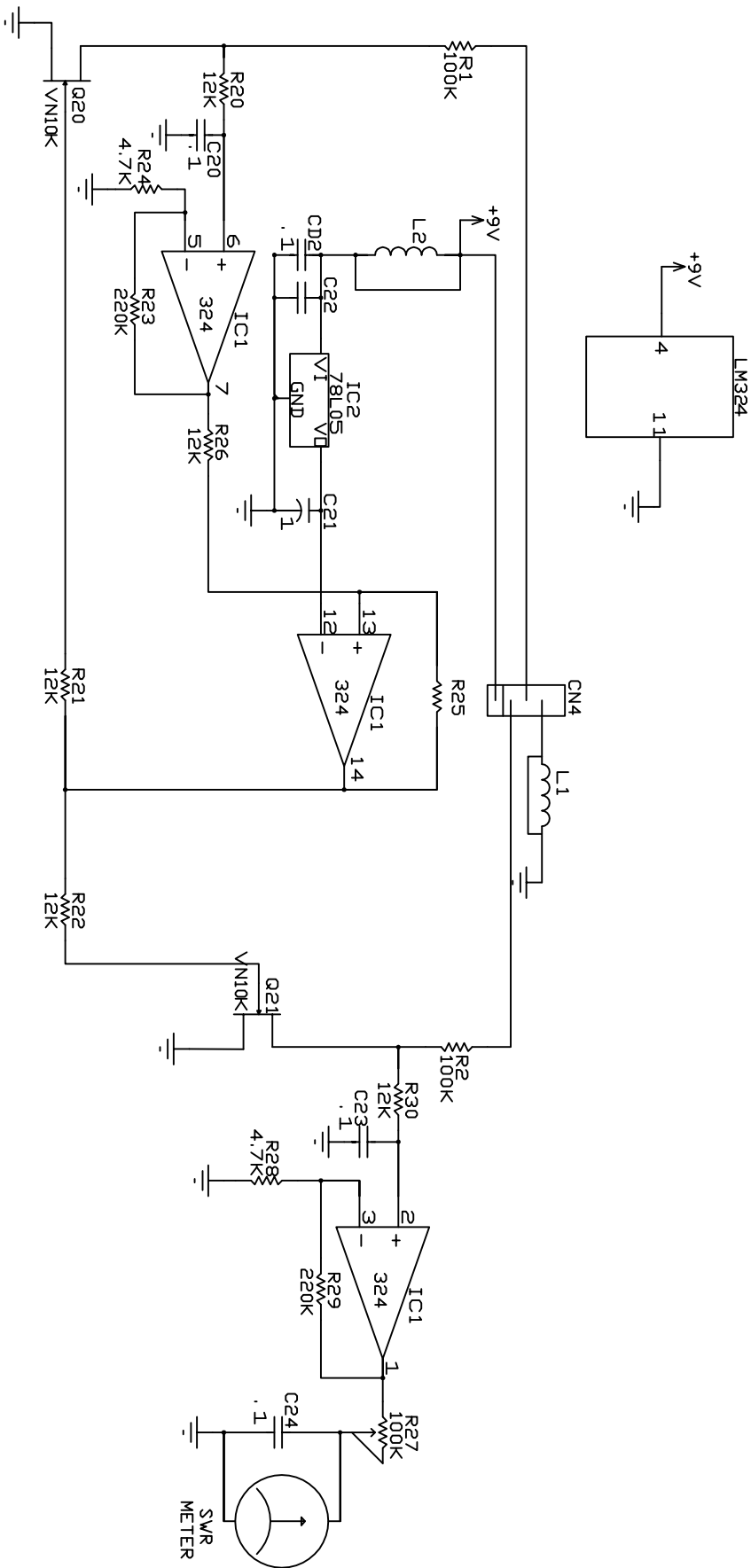


RESISTANCE VALUES ARE IN OHMS
 CAPACITANCE VALUES ARE IN MICROFARADS
 INDUCTANCE VALUES ARE IN MICRORHENRIES
 UNLESS OTHERWISE SPECIFIED

MODEL NO.	PART NO.	REVISION	SHEET 1 OF 2
MJ-208	XXX-XXXX	1	
DESCRIPTION			
MJ VHF SWR ANALYZER			
OSCILLATOR AND BRIDGE BOARD			
DATE	REVISED	PC BOARD	DRAWN BY
11/05/90	2/24/91	M208_3	RHANNEY



RESISTANCE VALUES ARE IN OHMS
 CAPACITANCE VALUES ARE IN MICROFARADS
 INDUCTANCE VALUES ARE IN MICROHENRIES
 UNLESS OTHERWISE SPECIFIED

MODEL NO.	PART NO.	REVISION	SHEET 2 OF 2
MFJ-208	XXX-XXXX	0	
DESCRIPTION			
MFJ VHF SWR ANALYZER			
SWR COMPUTER BOARD			
DATE	REVISED	PC BOARD	DRAWN BY
8/19/90		M20X	RHANNEY