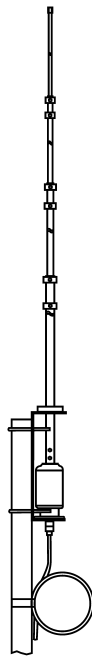


MFJ

MFJ Broadband Vertical

Model MFJ-2386



INSTRUCTION MANUAL

CAUTION: Read All Instructions Before Operating Equipment

MFJ ENTERPRISES, INC.

300 Industrial Park Road
Starkville, MS 39759 USA
Tel: 662-323-5869 Fax: 662-323-6551

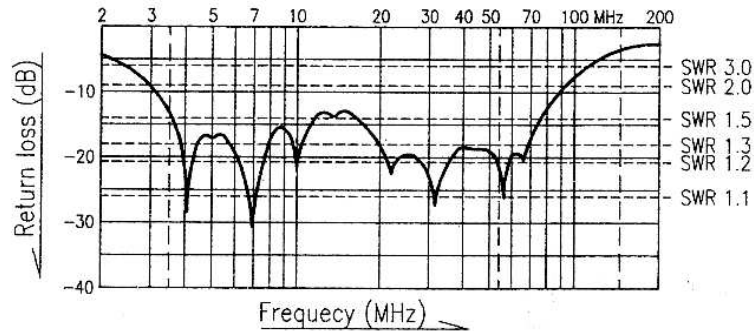
MFJ-2386 Broadband Ground Plane Vertical Antenna

The MFJ-2389 is a very broadband ground plane antenna requiring no radials for normal operation courtesy of the unique matching section built into the antenna.

Specifications:

Transmit Frequency: 3.5 MHz to 54 MHz
 Receive Frequency: 2.0 MHz to 90 MHz
 Transmit Power: 250W SSB
 150W CW
 Nominal Impedance: 50 ohms
 Typical VSWR: 1.5:1 or less
 Connector: SO-239
 Assembled Length: 28.5 ft
 Weight: 7.11 lbs
 Mast Size: 1.18" to 2.8"
 Wind Survival: 67 MPH

Representative VSWR Curve



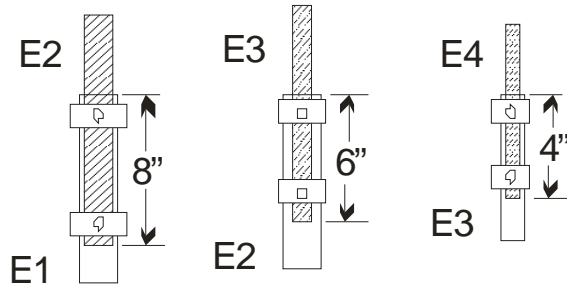
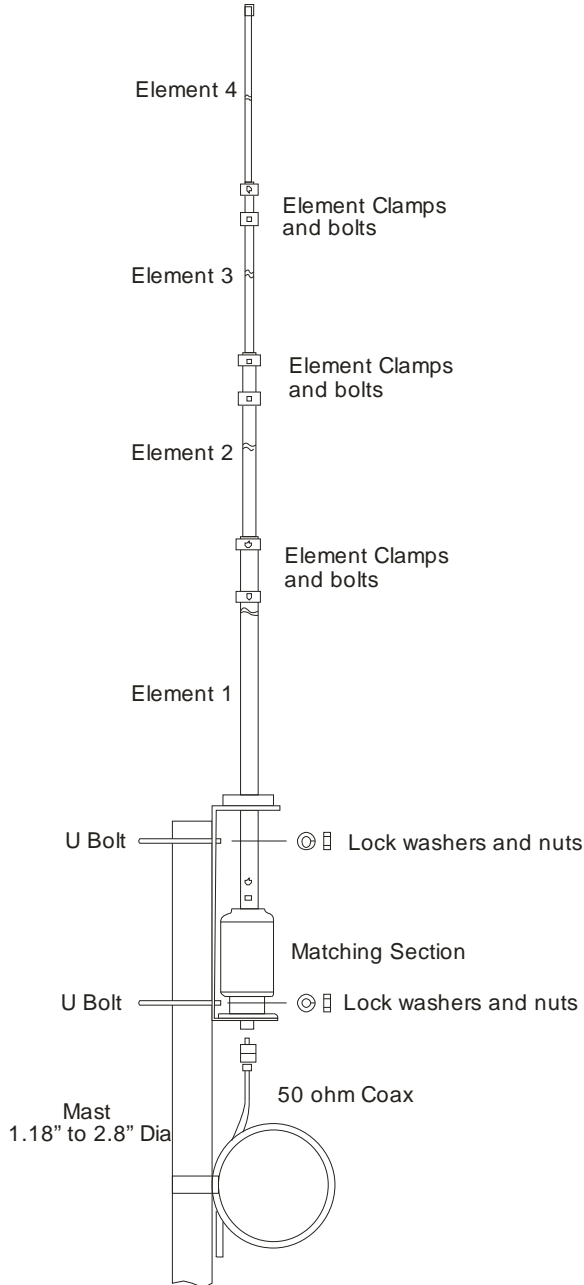
Tools Needed:

10mm wrench or adjustable wrench

Parts Included:

Matching Section and Element 1	73.5"	2 Large Ring Clamps
Element 2 0.875" od	75"	2 Medium Ring Clamps
Element 3 0.750" od	73"	2 Small Ring Clamps
Element 4 0.625" Od	78"	6 Bolts
		2 U Bolts
		4 Nuts
		4 Lock washers

Assembly



1. Elements 2 and 3 have holes in them for use with the ring clamps. Those holes go to the top of the antenna.
2. Slide the two largest ring clamps onto Element 1. Slide Element 2 into Element 1 about 8 inches till the bottom of Element 2 passes the bottom hole on Element 1. Put bolts in each ring clamp and tighten down with the bolts going through the holes at the top of Element 1 clamping down Element 2.
3. Slide the two medium ring clamps onto Element 2. Slide Element 3 into Element 2 about 6 inches till the bottom of Element 3 passes the bottom hole on Element 2. Put bolts in each ring clamp and tighten down with the bolts going through the holes at the top of Element 2 clamping down Element 3.
4. Slide the two smallest ring clamps onto Element 3. Slide Element 4 into Element 3 about 4 inches till the bottom of Element 4 passes the bottom hole on Element 3. Put bolts in each ring clamp and tighten down with the bolts going through the holes at the top of Element 3 clamping down Element 4.
5. Make sure the elements are all tight.
6. Loosely attach the U Bolts to the matching Section mount.
7. Carefully slide the antenna onto the mast and tighten down the U Bolts to clamp the base mount to the mast. If mounting in the final place the torque from the antenna elements may make the antenna awkward to mount. Use caution when mounting. Do not mount the antenna near power lines
8. Attach the 50 ohm coax to the antenna and tape up the connector to seal out water.
9. Raise the antenna and mast assembly up and mount in the final position. For best operation it is recommended that the antenna be put up about 35 feet in the air although reasonable results are obtained with a lower height.

12 MONTH LIMITED WARRANTY

MFJ Enterprises, Inc. Warrants to the original owner of this product, if manufactured by MFJ Enterprises, Inc. and purchased from an authorized dealer or directly from MFJ Enterprises, Inc. to be free from defects in material and workmanship for a period of 12 months from date of purchase provided the following terms of this warranty are satisfied.

1. The purchaser must retain the dated proof-of-purchase (bill of sale, canceled check, credit card or money order receipt, etc.) describing the product to establish the validity of the warranty claim and submit the original or machine reproduction of such proof-of-purchase to MFJ Enterprises, Inc. at the time of warranty service. MFJ Enterprises, Inc. shall have the discretion to deny warranty without dated proof-of-purchase. Any evidence of alteration, erasure, or forgery shall be cause to void any and all warranty terms immediately.
2. MFJ Enterprises, Inc. agrees to repair or replace at MFJ's option without charge to the original owner any defective product under warranty, provided the product is returned postage prepaid to MFJ Enterprises, Inc. with a personal check, cashiers check, or money order for \$12.00 covering postage and handling.
3. MFJ Enterprises, Inc. will supply replacement parts free of charge for any MFJ product under warranty upon request. A dated proof-of-purchase and a \$8.00 personal check, cashiers check, or money order must be provided to cover postage and handling.
4. This warranty is NOT void for owners who attempt to repair defective units. Technical consultation is available by calling (662) 323-5869.
5. This warranty does not apply to kits sold by or manufactured by MFJ Enterprises, Inc.
6. Wired and tested PC board products are covered by this warranty provided only the wired and tested PC board product is returned. Wired and tested PC boards installed in the owner's cabinet or connected to switches, jacks, or cables, etc. sent to MFJ Enterprises, Inc. will be returned at the owner's expense unrepaired.
7. Under no circumstances is MFJ Enterprises, Inc. liable for consequential damages to person or property by the use of any MFJ products.
8. Out-of-warranty Service: MFJ Enterprises, Inc. will repair any out-of-warranty product provided the unit is shipped prepaid. All repaired units will be shipped COD to the owner. Repair charges will be added to the COD fee unless other arrangements are made.
9. This warranty is given in lieu of any other warranty expressed or implied.
10. MFJ Enterprises, Inc. reserves the right to make changes or improvements in design or manufacture without incurring any obligation to install such changes upon any of the products previously manufactured.
11. All MFJ products to be serviced in-warranty or out-of-warranty should be addressed to MFJ Enterprises, Inc., 300 Industrial Park Road, Starkville, Mississippi 39759, USA and must be accompanied by a letter describing the problem in detail along with a copy of your dated proof-of-purchase.
12. This warranty gives you specific rights, and you may also have other rights which vary from state to state.