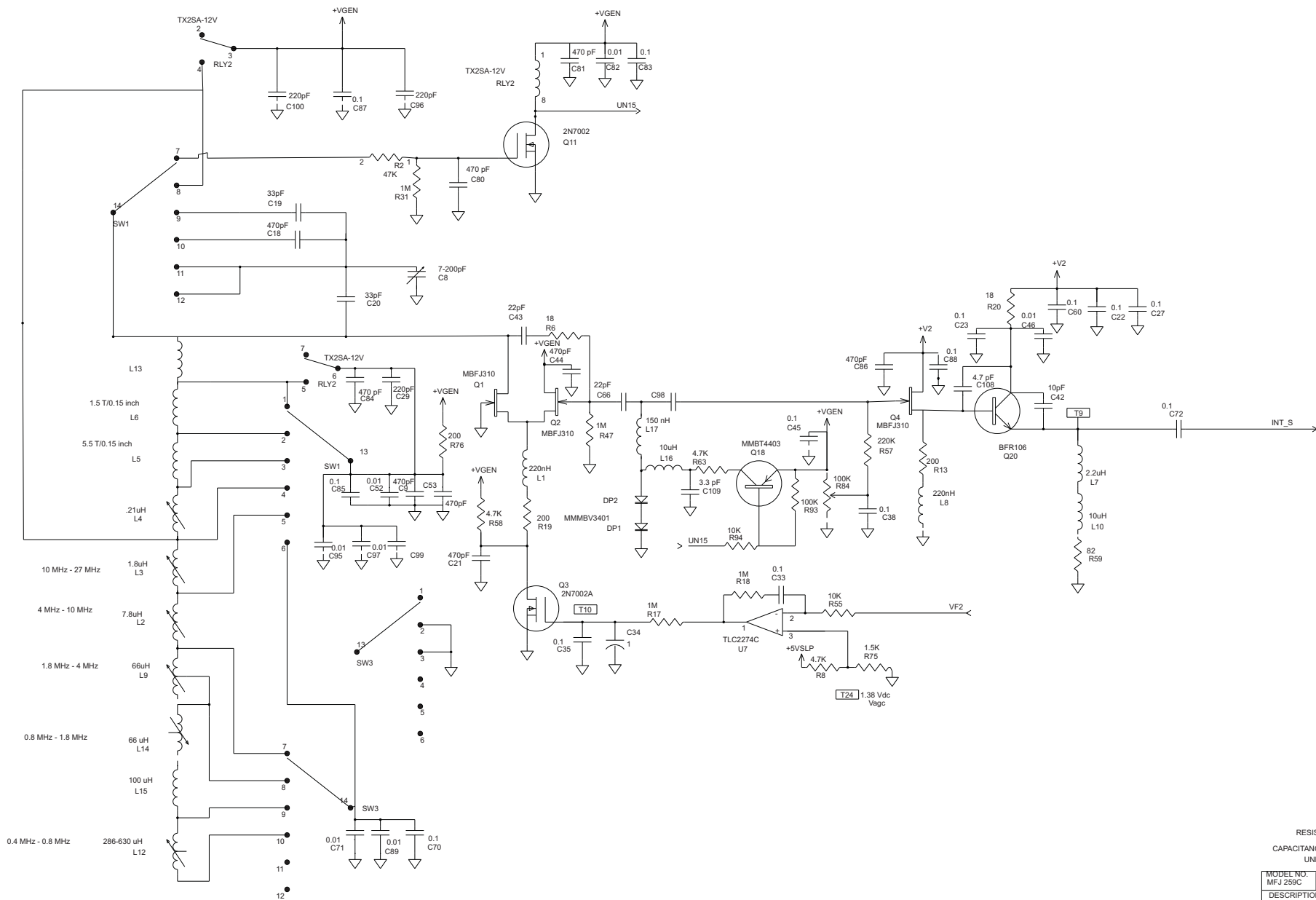


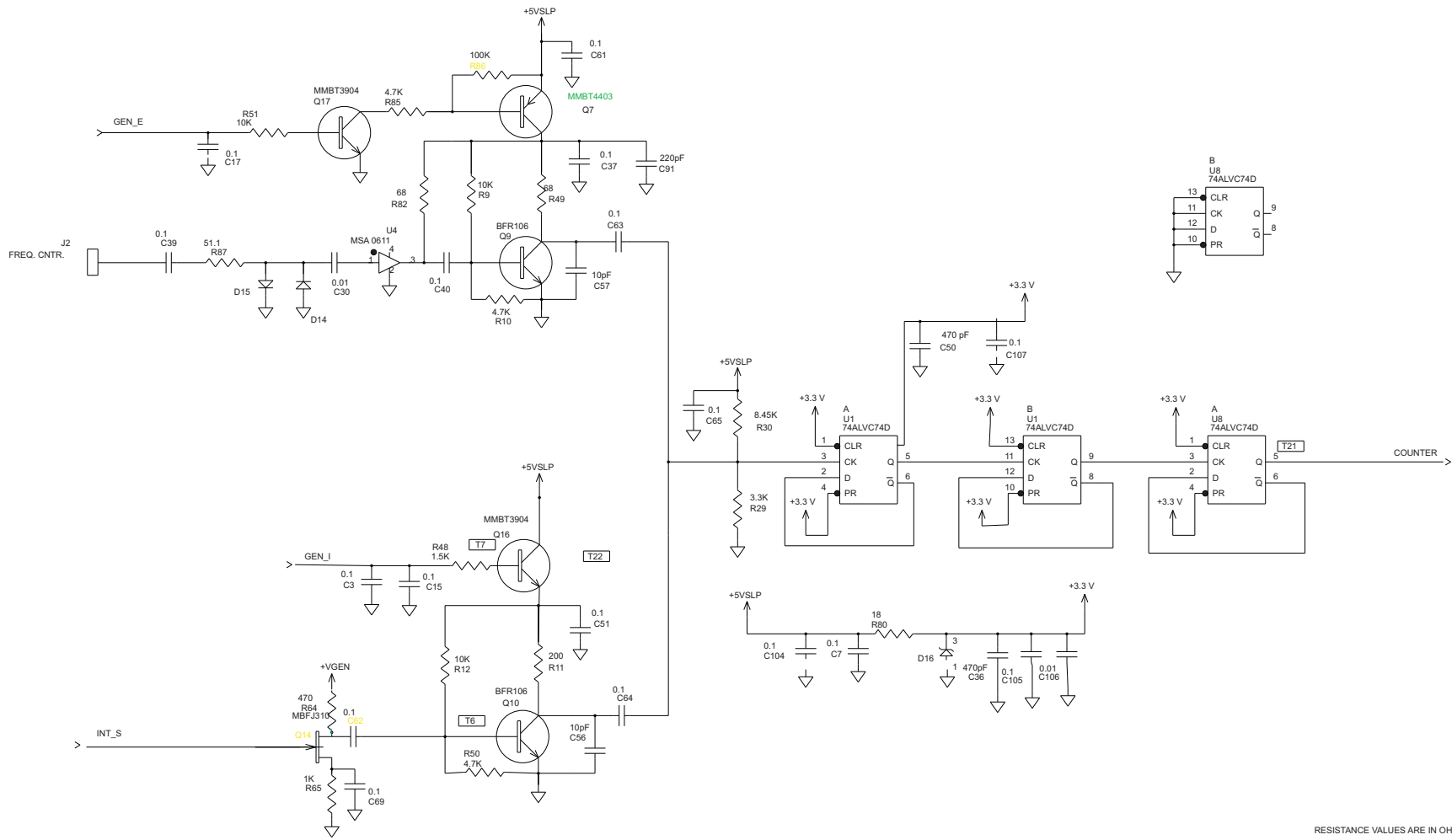
RESISTANCE VALUES ARE IN OHMS
CAPACITANCE VALUES ARE IN MICROFA RADS
UNLESS OTHERWISE SPECIFIED

MODEL NO.	REV.	PART NO.	SHEET	OF	4
MFJ 259C	7	862-0259C			
DESCRIPTION MICROCONTROLLER/ E. SWITCHES					
DATE 8/1/13	PC BOARD	MFJ ENTERPRISES INC. 300 INDUSTRIAL PARK RD STARKVILLE MS 39759			
REVISED	DRAWN BY				



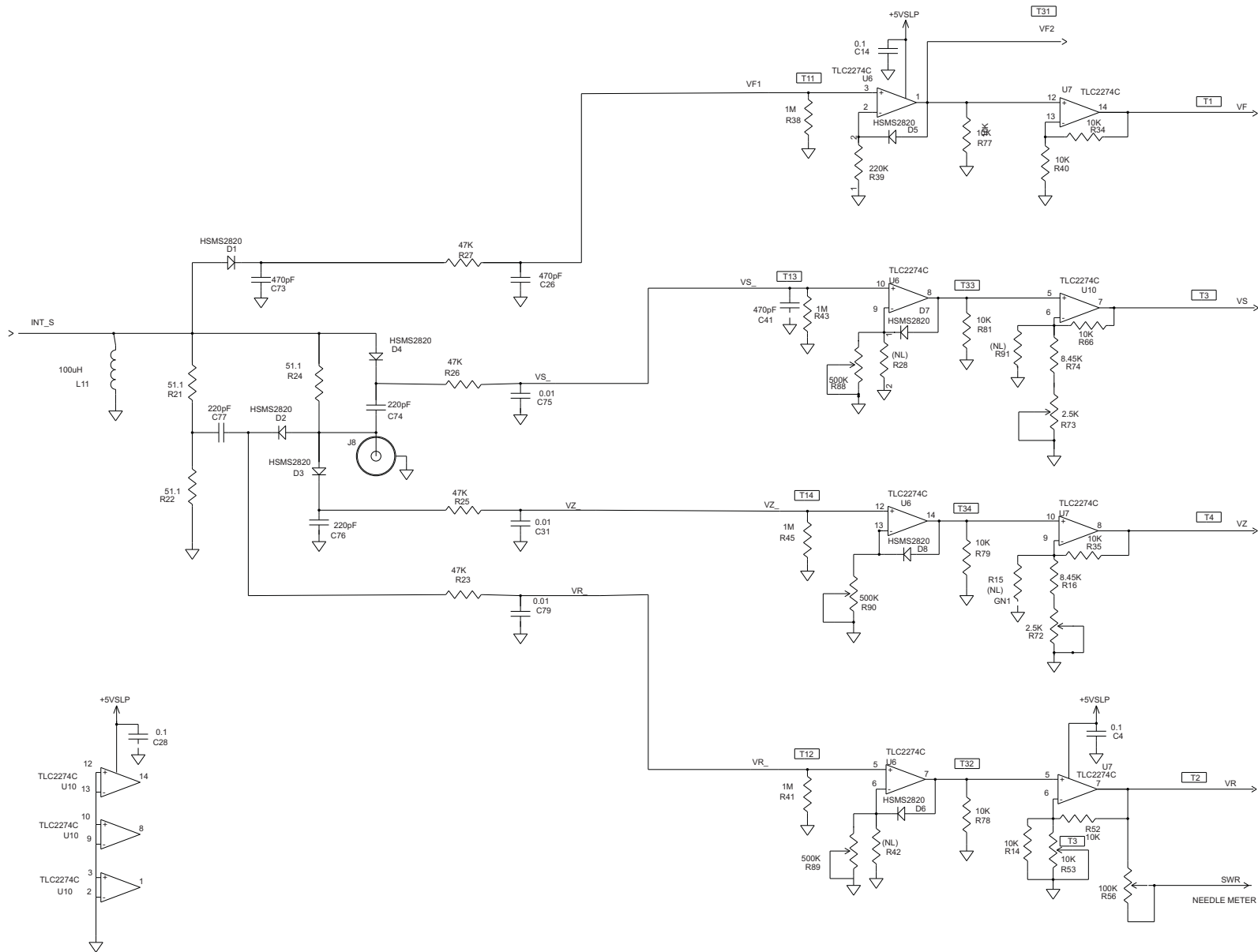
RESISTANCE VALUES ARE IN OHMS
CAPACITANCE VALUES ARE IN MICROFARADS UNLESS OTHERWISE SPECIFIED

MODEL NO.	REV.	PART NO.	SHEET	OF
MFJ 259C	7	892-259C	4	4
DESCRIPTION				
OSCILLATOR, BUFFER, AMPLIFIER				
DATE	PC BOARD	MFJ ENTERPRISES INC.		
8/1/13		300 INDUSTRIAL PARK RD		
REVISED	DRAWN BY	STARKVILLE MS 39759		



RESISTANCE VALUES ARE IN OHMS
CAPACITANCE VALUES ARE IN MICROFARADS
UNLESS OTHERWISE SPECIFIED

MODEL NO.	REV.	PART NO.	SHEET 3 OF 4
MFJ 259C	7	862-0259B	
DESCRIPTION			
RF SWITCHES, PRESCALER			
DATE	PC BOARD	MFJ ENTERPRISES INC.	
8/1/13		300 INDUSTRIAL PARK RD	
REVISED	DRAWN BY	STARKVILLE MS 39759	



RESISTANCE VALUES ARE IN OHMS
CAPACITANCE VALUES ARE IN MICROFARADS
UNLESS OTHERWISE SPECIFIED

MODEL NO. MFJ 239C	REV. 7	PART NO. 862-0259B	SHEET 4 OF 4
DESCRIPTION BRIDGE, VOLTAGES			
DATE 8/1/13	PC BOARD	MFJ ENTERPRISES INC. 300 INDUSTRIAL PARK RD STARKVILLE MS 39759	
REVISED	DRAWN BY		