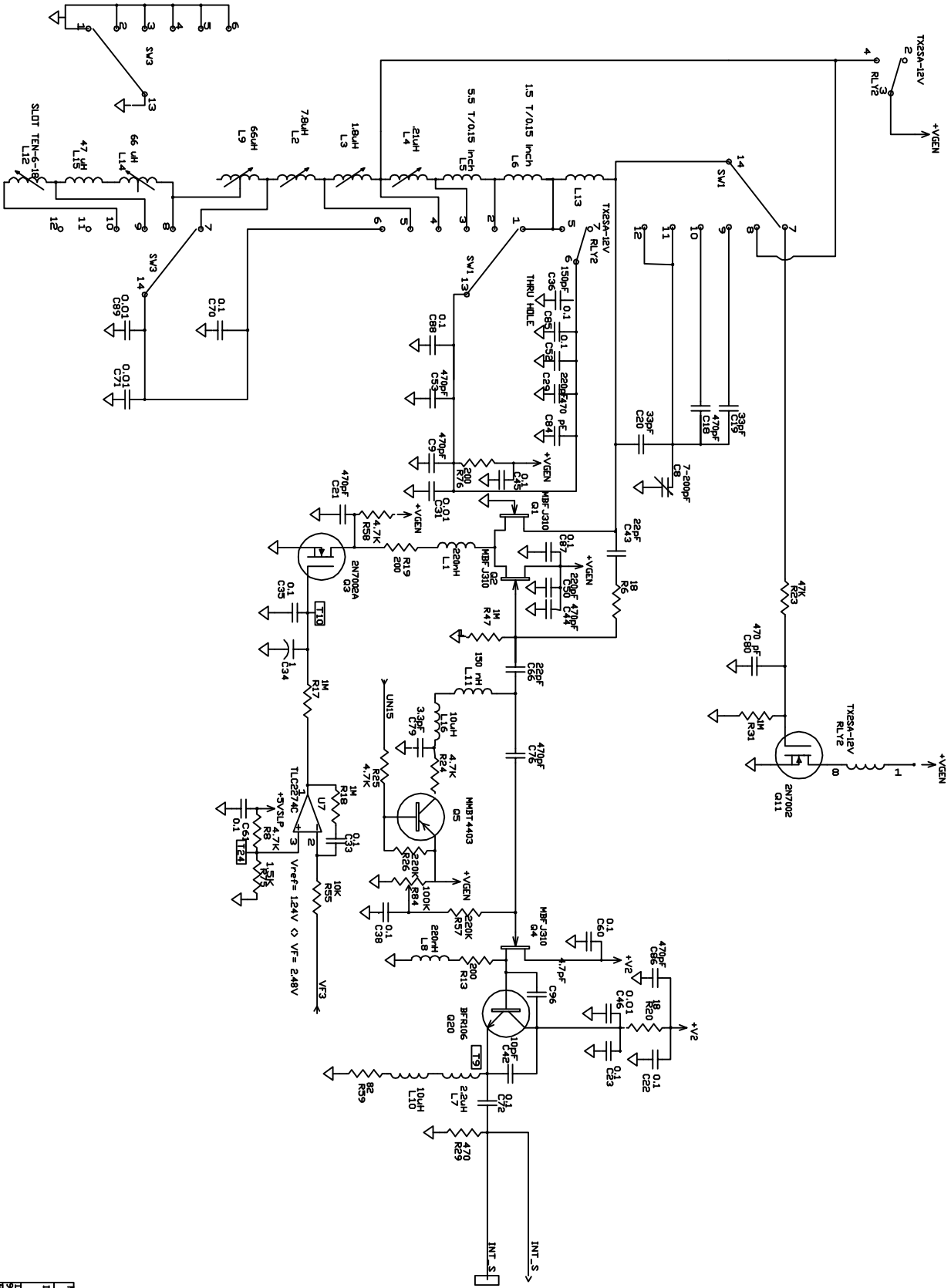


RESISTANCE VALUES ARE IN OHMS
 CAPACITANCE VALUES ARE IN MICROFARADS
 UNLESS OTHERWISE SPECIFIED

PROJECT NO	3	DATE	8/20/2013
DESCRIPTION	PCB#2 TRPLER	DRAWN BY	317KAVILLE MS 37739
REVISED		DATE	

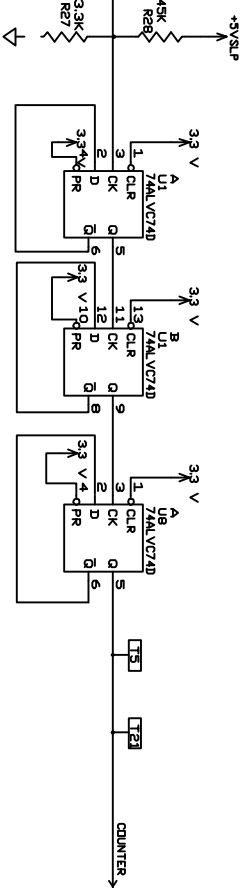
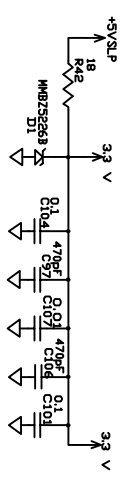
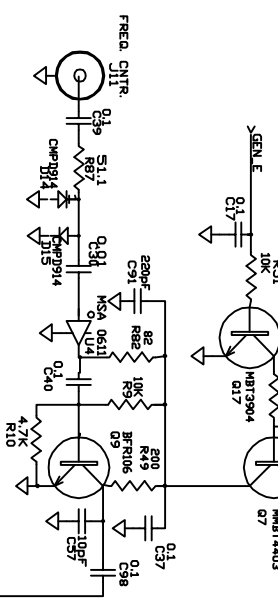
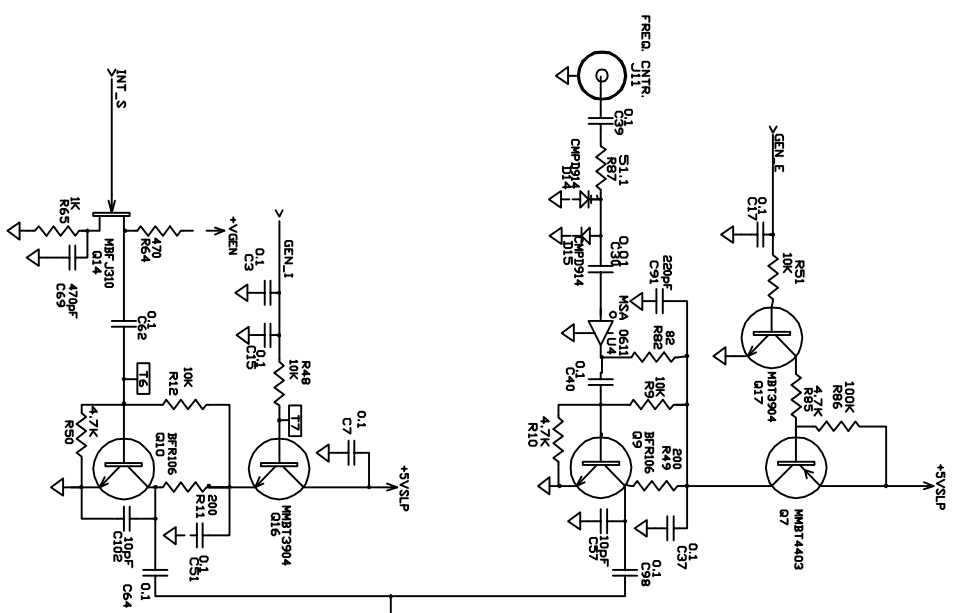
PC BOARD
 300 INDUSTRIAL PARK RD
 STARKVILLE MS 39739



RESISTANCE VALUES ARE IN OHMS
 CAPACITANCE VALUES ARE IN MICROFARADS
 UNLESS OTHERWISE SPECIFIED

DATE	PC BOARD	PCB NO.	PCB NO.	SHEET 3 OF 3
9/20/2013	4	865-08699	865-08699	
REVISION	DRAWN BY	DESIGNER	DATE	
	STINKVILLE MS 39759			

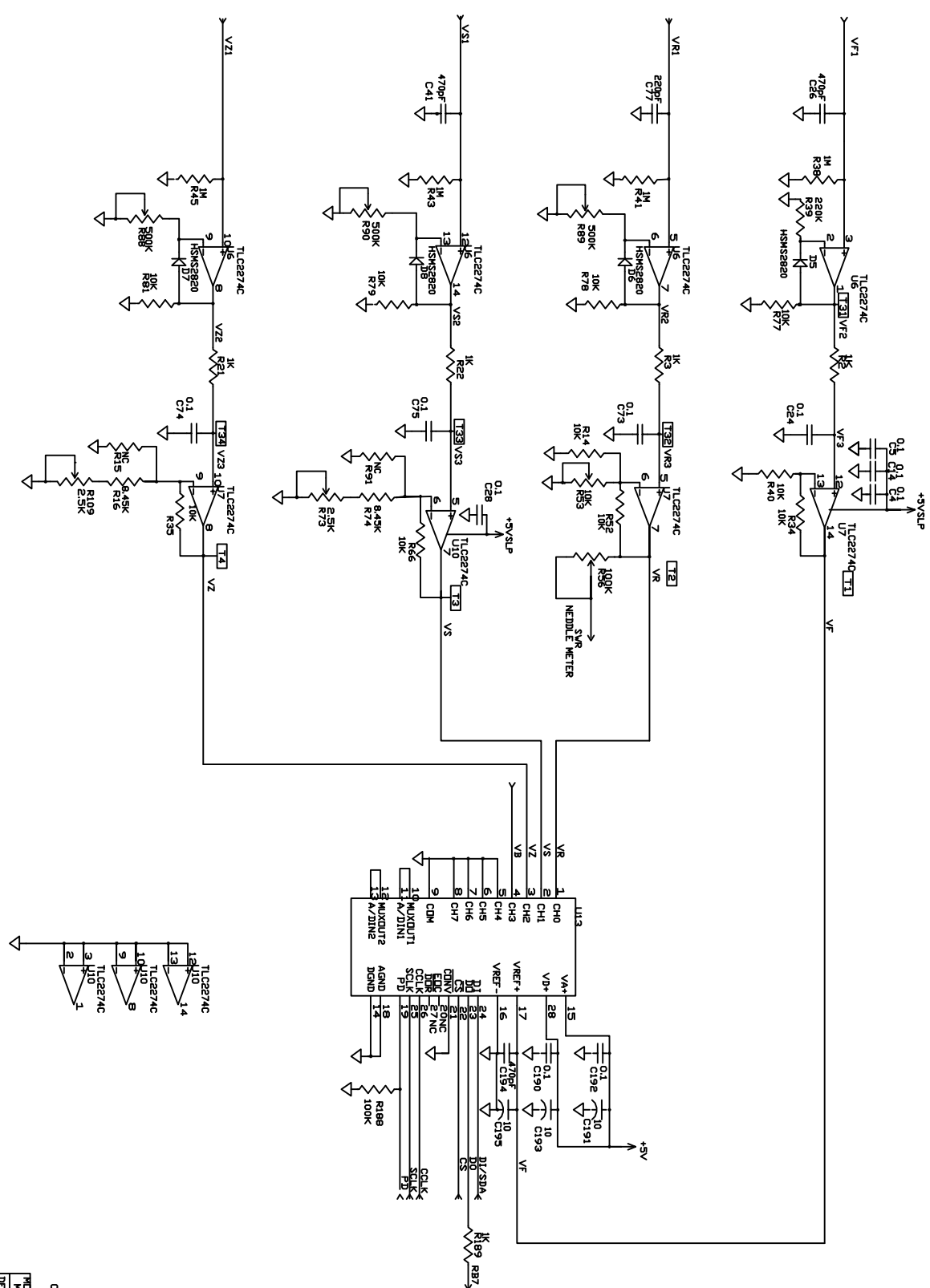
WPC J ENTERPRISES INC.
 300 INDUSTRIAL PARK RD
 STINKVILLE MS 39759



RESISTANCE VALUES ARE IN OHMS
CAPACITANCE VALUES ARE IN MICROFARADS
UNLESS OTHERWISE SPECIFIED

DATE	PC BOARD	WFC J ENTERPRISES, INC.
8/27/2013	DRAWN BY	300 INDUSTRIAL PARK RD
REVISED		SPRINGVILLE MS 38779

MODEL NO	3	PART NO	862-2692	SHEET 4	OF 5
DESCRIPTION	SIGNAL SWITCH, PRESCALER				



DATE	8/30/2013	DESIGNED BY	W. J. ENTERPRISES, INC.
REVISED	3	DRAWN BY	300 INDUSTRIAL PARK RD SPRINGVILLE, MS 38759
MODEL NO.	WJ-2698	PART NO.	WJ-2698
DESCRIPTION	VOLTAGES PROCESSING		
	3	SHEETS	3

RESISTANCE VALUES ARE IN OHMS
CAPACITANCE VALUES ARE IN MICROFARADS
UNLESS OTHERWISE SPECIFIED