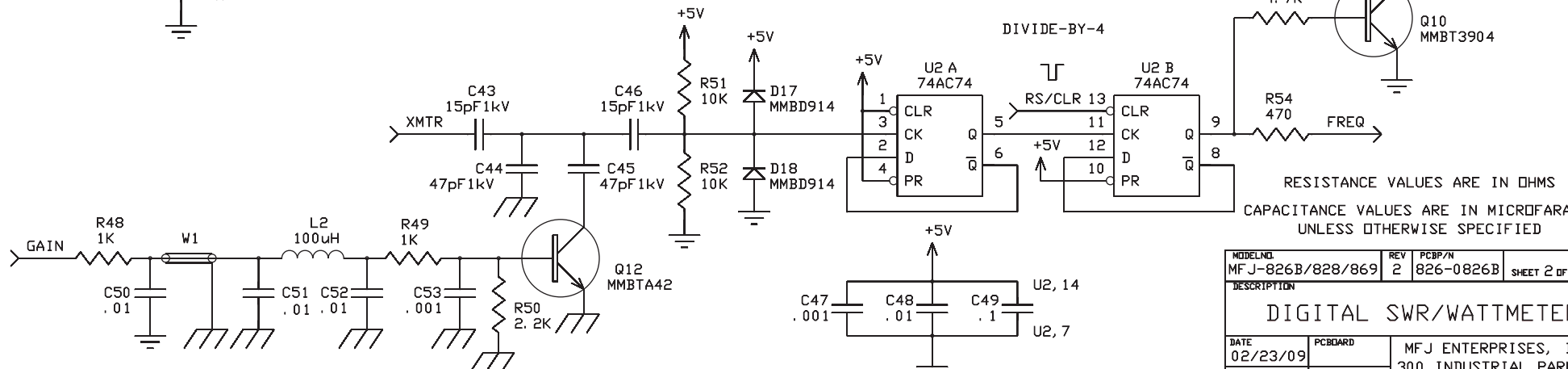
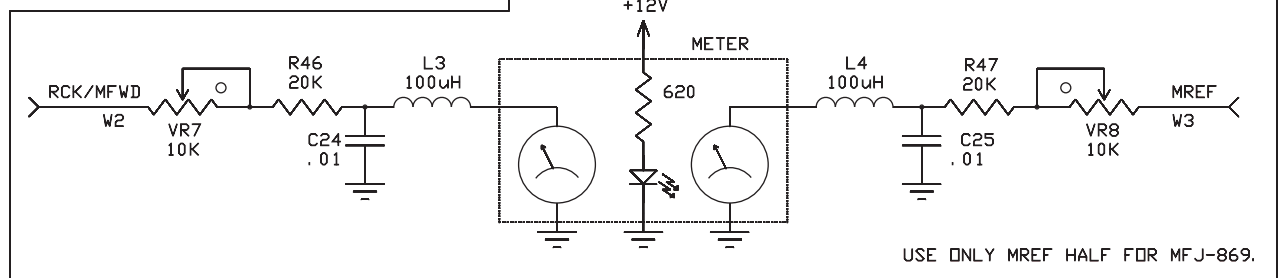
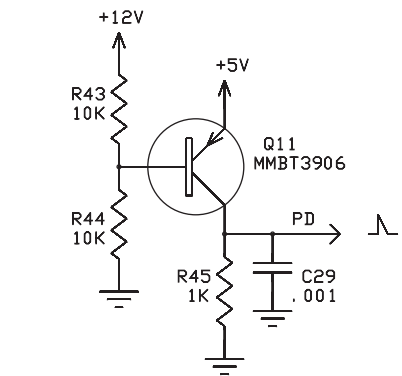
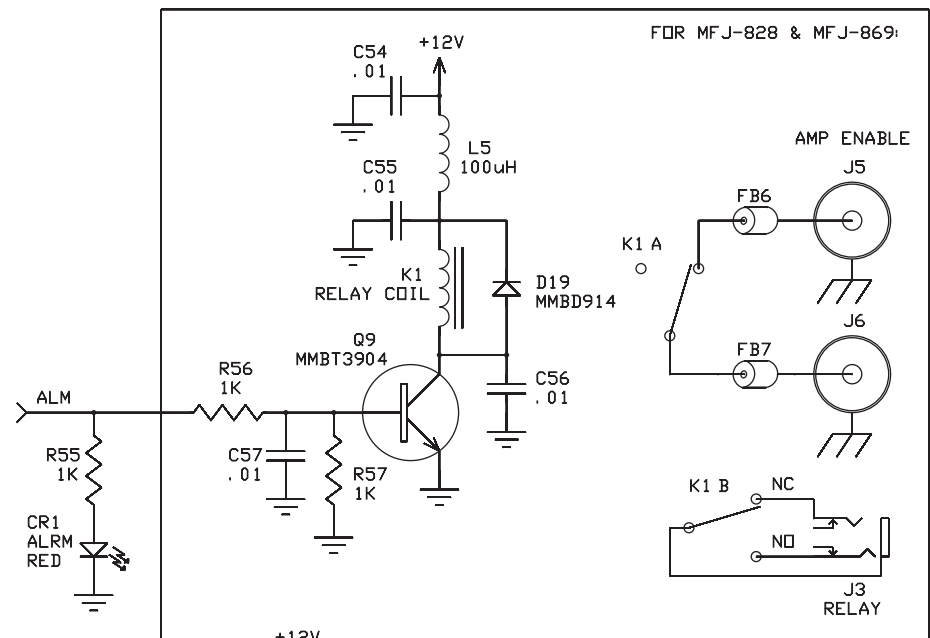
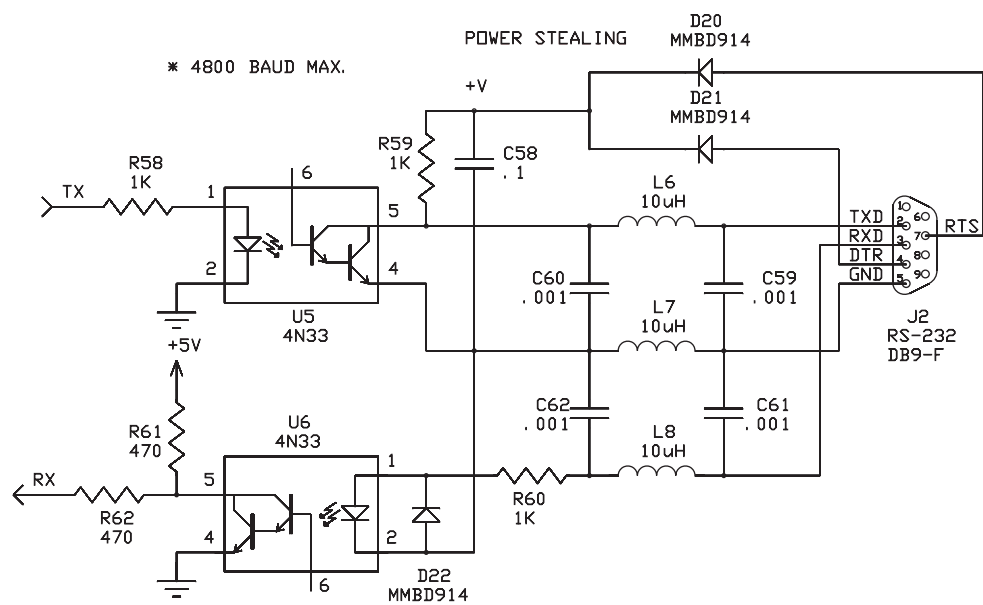


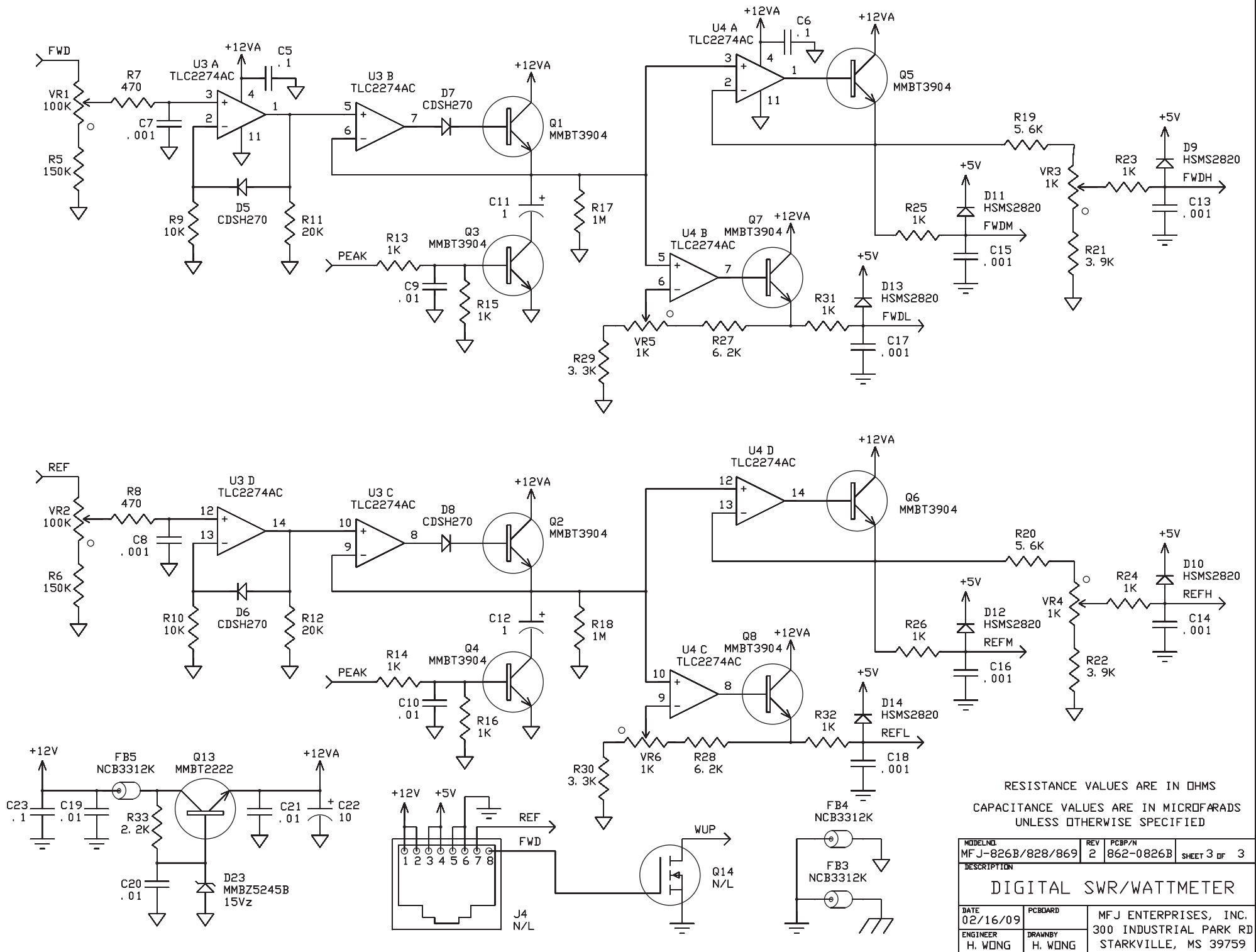
RESISTANCE VALUES ARE IN OHMS
 CAPACITANCE VALUES ARE IN MICROFARADS
 UNLESS OTHERWISE SPECIFIED

MODELING MFJ-826B/828/869	REV 2	PCBP/N 862-0826B	SHEET 1 OF 3
DESCRIPTION DIGITAL SWR/WATTMETER			
DATE 02/16/09	PCBOARD	MFJ ENTERPRISES, INC. 300 INDUSTRIAL PARK RD STARKVILLE, MS 39759	
ENGINEER H. WONG	DRAWN BY H. WONG		



* W1 IS SHIELDED COAX CABLE.

MODEL NO.	MFJ-826B/828/869	REV	2	PCBP/N	826-0826B	SHEET 2 OF 3
DESCRIPTION	DIGITAL SWR/WATTMETER					
DATE	02/23/09	PCBOARD	MFJ ENTERPRISES, INC.			
ENGINEER	H. WONG	DRAWN BY	300 INDUSTRIAL PARK RD			
			STARKVILLE, MS 39759			



RESISTANCE VALUES ARE IN OHMS
 CAPACITANCE VALUES ARE IN MICROFARADS
 UNLESS OTHERWISE SPECIFIED

MODELING	MFJ-826B/828/869	REV	2	PCBP/N	862-0826B	SHEET 3 OF 3
DESCRIPTION	DIGITAL SWR/WATTMETER					
DATE	02/16/09	PCBOARD	MFJ ENTERPRISES, INC.			
ENGINEER	H. WONG	DRAWN BY	300 INDUSTRIAL PARK RD			
			STARKVILLE, MS 39759			