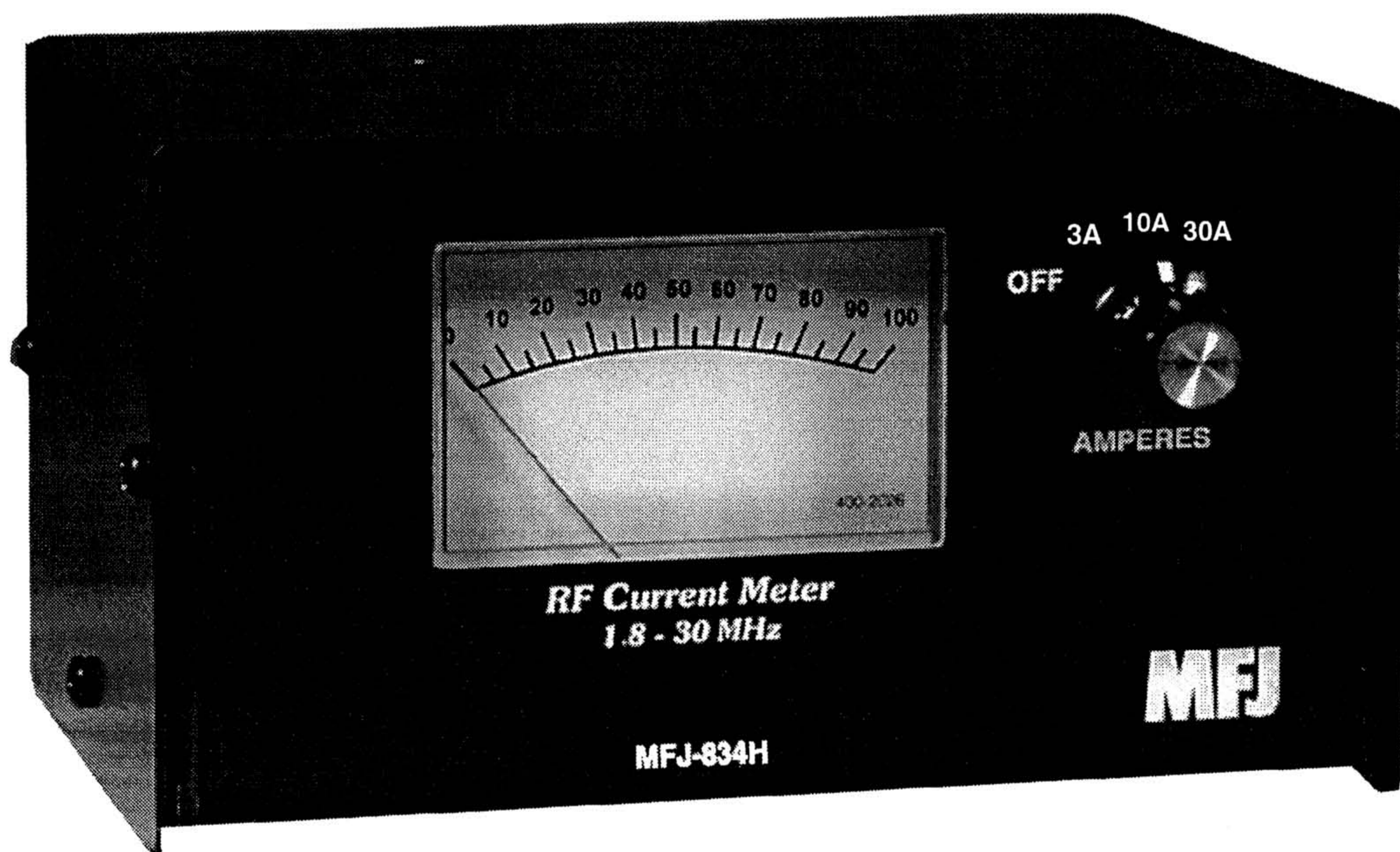


MFJ

RF Ammeter

Model MFJ-834H



INSTRUCTION MANUAL

CAUTION: Read All Instructions Before Operating Equipment

MFJ ENTERPRISES, INC.

300 Industrial Park Road
Starkville, MS 39759 USA
Tel: 662-323-5869 Fax: 662-323-6551

MFJ-834H RF Ammeter

Introduction

Congratulations on purchasing the MFJ-834H RF Ammeter. The MFJ-834H is designed for measuring in-line RF feedline current on 1.8-30 MHz while having low interaction on the primary line. Connect the *Coax In-Line* RF Ammeter between your antenna and tuner/ transmitter/amplifier and measure antenna feedline current in 3 calibrated ranges: 3 Amperes, 10 Ampere, and 30 Amperes.

Uses

- Use it for *tuning* your antenna tuner/transmitter/amplifier for maximum radiated power, for *determining* antenna feedpoint impedance, for *comparing* antennas and tuners, for *troubleshooting* and for *checking* for changes.
- Tuning for maximum feedline current for any given antenna always gives maximum radiated power. Any adjustment that increases feedline current improves power transfer and gives you a stronger radiated signal. Radiated power increases rapidly because power increases as the square of the current.
- Minimum SWR *does not* always mean maximum radiated power. Your tuner or lossy coax may be dissipating power and you may not get peak output power even if your tuner or amplifier is properly tuned.
- Use the MFJ-834H RF Ammeter to determine best antenna tuner settings and to compare various tuners. Calculate your antenna feedpoint impedance by dividing your applied power by the square of the feedpoint current.
- Your antenna can change when you apply power. Insulators break down, traps heat up, capacitors leak and your feedpoint impedance may be drastically different from your SWR Analyzer measurements.

IMPORTANT:

Please read entire manual before attempting to operate this equipment. This unit does not provide a dc or low frequency earth ground. A separate wire should be connected from the station ground bus to an electric ground. Do not place any non-coaxial feed wires near metallic or RF sensitive devices.

Installation

1. Connect your transmitter to the connector on the back of the unit labeled TRANSMITTER and your antenna to the connector labeled ANTENNA. It is important that you use good quality coax and properly installed connectors.
2. An internal lamp backlights the RF Ammeter scale. The lamp circuit requires 12 VDC. The rear panel accepts a 2.1 mm coaxial plug with the center conductor positive (+) and the sleeve negative (-). The negative lead is grounded inside the meter.
3. To measure the power output capability of a transmitter/amplifier you should connect a quality 50-ohm dummy load to the ANTENNA connector of the MFJ-834H.

Operation

1. The RF Ammeter measures RF current in three calibrated ranges: 3 Amperes, 10 Ampere, and 30 Amperes. Simply turn the Current Range knob to the desired range.
2. The meter is scaled from 0 to 100. On the 10A range, move the decimal point 1 place to the left (100 = 10 A). To convert meter readings made on the 3A and 30A ranges, multiply accordingly. For example, a reading of 85 on the 30A range equals 30 x .85, or 25.5 A. See Table 1 below to estimate readings quickly.
3. To prevent meter pegging, begin checks on a high range and work down. To estimate unknown current levels, use the formula below (I = Unknown Current in Amps, P = Applied Power in Watts, and R = Load Resistance in Ohms).

$$I = \sqrt{\frac{P}{R}}$$

Meter Reading	Range		
	3A	10A	30A
Actual Value (Amps)			
10	0.3	1.0	3
20	0.6	2.0	6
30	0.9	3.0	9
40	1.2	4.0	12
50	1.5	5.0	15
60	1.8	6.0	18
70	2.1	7.0	21
80	2.4	8.0	24
90	2.7	9.0	27
100	3.0	10.0	30

Table 1: Actual Current Value

RF Hazard--Important Warnings:

1. RF-current measurements must be conducted with extreme caution. Physical contact with conductors carrying even moderate RF-energy levels can result in severe RF burns, or injury.
2. Avoid measuring RF currents on conductors where high RF voltages may be present (>500 Volts). Damage to your meter may result. Using the MFJ-836H continuously for more than 1 minute on the 30 A range may present these high RF voltages. When operating on the 30 A range, we recommend operating at 10% duty cycle to prevent damage.

Calibration

The MFJ-834H RF Ammeter has been calibrated at the factory. If the RF Ammeter should ever need to be recalibrated, then follow this procedure:

Equipment Needed

1. Transmitter capable of supplying enough power to obtain $\frac{1}{2}$ to full-scale reading at 14 or 21 MHz.
2. 50-ohm dummy load that is capable of handling full transmitter output power and has better than a 1.15:1 SWR.
3. Power meter of known accuracy. The calibration will only be as good as the standard reference meter.
4. 50-ohm cables capable of handling the power. RG-58/u is recommended. DO NOT USE RG-59 or RG-11.

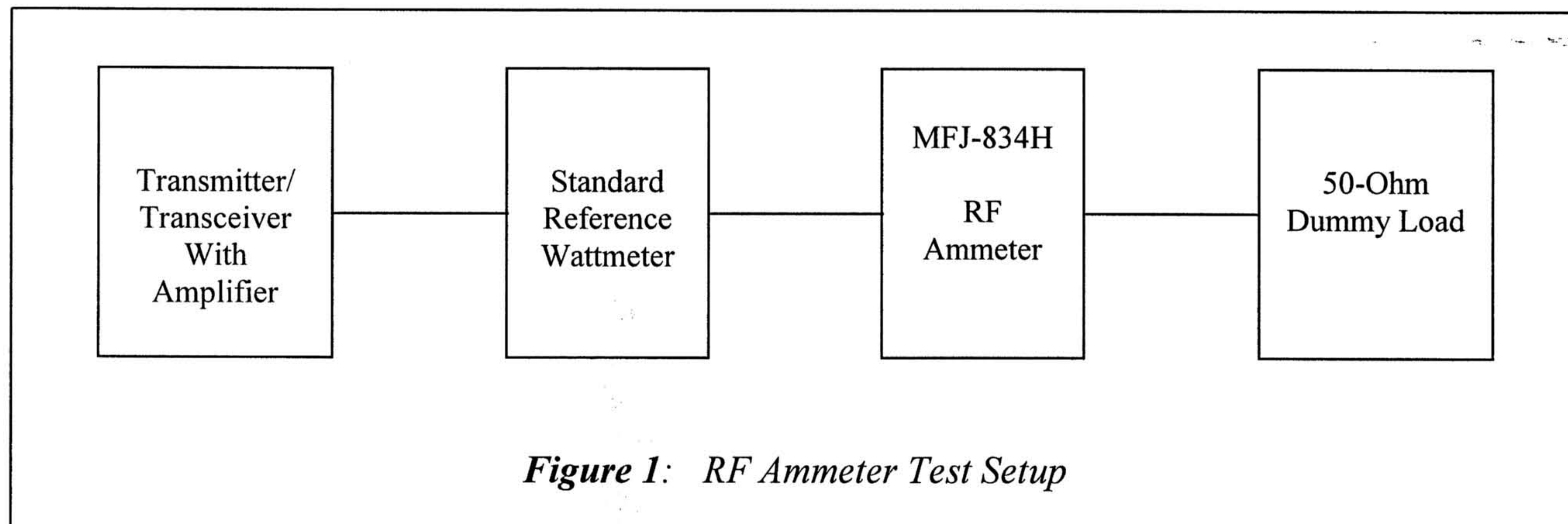


Figure 1: RF Ammeter Test Setup

RF Ammeter Calibration

1. Refer to *Figure 1* for the Test Setup and refer to the PCB layout in *Figure 2* for trim pot location.
2. Remove the top of the MFJ-834H.
3. Connect the Test Setup equipment as shown in *Figure 1*. Use a 50-ohm dummy load for the antenna. Set the Transmitter to the 14 MHz in the 20-meter band.
4. Set the Current Range selector to 3A. For meaningful results, *your Wattmeter must be accurate and the 50-ohm load free of significant reactance*. To test, apply a 450-watt CW signal to the 50-ohm dummy load. You should observe a full-scale reading of 3A (100 on the scale). If results vary significantly from this reading, adjust trim pot R3 for the correct indication. Trim pot R3 is located on the pc board below the sense coil.

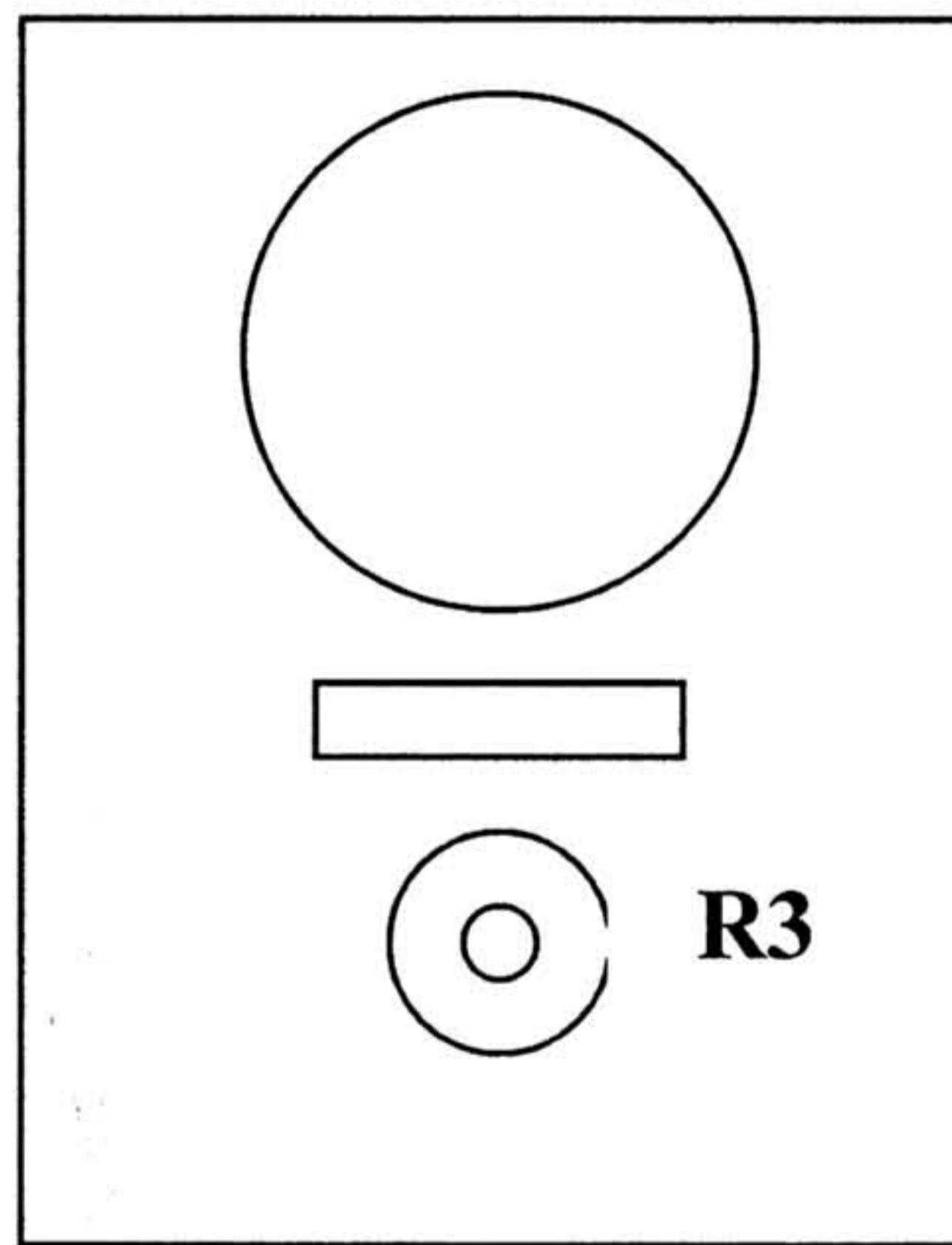
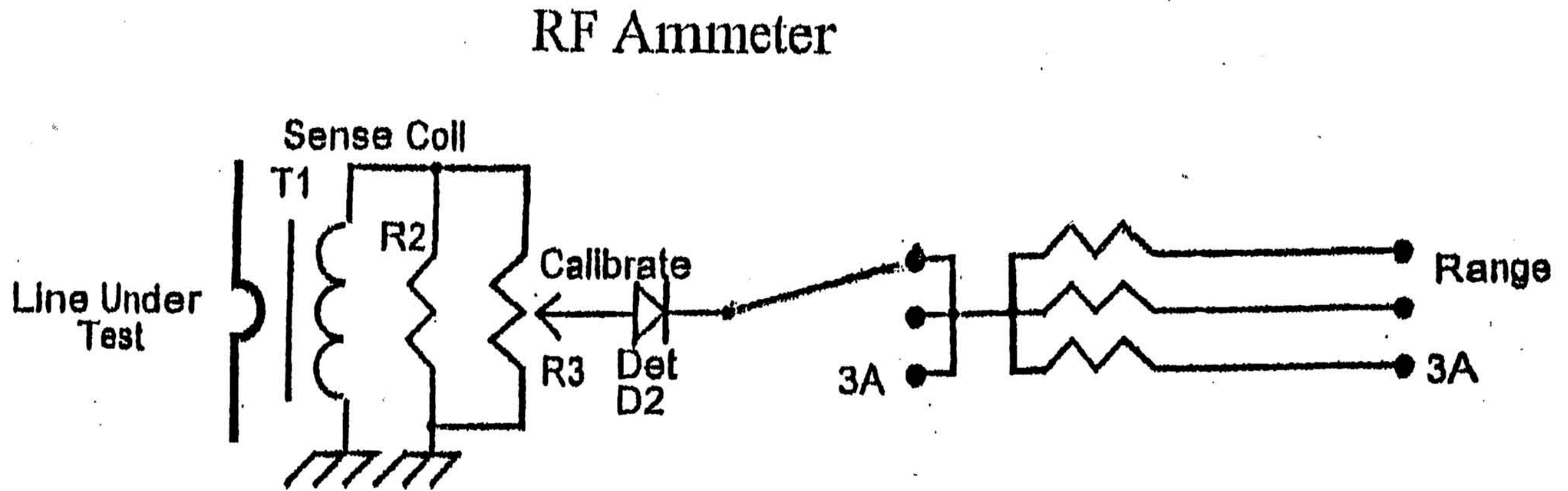


Figure 2: RF Ammeter PCB Layout and Trim Pot Location

IMPORTANT WARNING: Avoid direct physical contact with this device when making measurements with power sources of over 5 Watts. RF burns or permanent injury may result from contact with high RF voltages.

If your meter is out of calibration and you lack the equipment or skills to perform the calibration procedure, you may return it to the MFJ factory for service.

Schematic



Technical Assistance

If you have any problem with this unit first check the appropriate section of this manual. If the manual does not reference your problem or reading the manual does not solve your problem, you may call *MFJ Technical Service* at **662-323-0549** or the *MFJ Factory* at **662-323-5869**. You will be best helped if you have your unit, manual and all information on your station handy so you can answer any questions the technicians may ask.

You can also send questions by mail to MFJ Enterprises, Inc., 300 Industrial Park Road, Starkville, MS 39759; by Facsimile (FAX) to 662-323-6551; or by email to techinfo@mfjenterprises.com. Send a complete description of your problem, an explanation of exactly how you are using your unit, and a complete description of your station.

LIMITED 12 MONTH WARRANTY

MFJ Enterprises, Inc. warrants to the original owner of this product, if manufactured by MFJ Enterprises, Inc. and purchased from an authorized dealer or directly from MFJ Enterprises, Inc. to be free from defects in material and workmanship for a period of 12 months from date of purchase provided the following terms of this warranty are satisfied.

1. The purchaser must retain the dated proof-of-purchase (bill of sale, canceled check, credit card or money order receipt, etc.) describing the product to establish the validity of the warranty claim and submit the original or machine reproduction of such proof of purchase to MFJ Enterprises, Inc. at the time of warranty service. MFJ Enterprises, Inc. shall have the discretion to deny warranty without dated proof-of-purchase. Any evidence of alteration, erasure, or forgery shall be cause to void any and all warranty terms immediately.
2. MFJ Enterprises, Inc. agrees to repair or replace at MFJ's option without charge to the original owner any defective product under warrantee provided the product is returned postage prepaid to MFJ Enterprises, Inc. with a personal check, cashiers check, or money order for **\$7.00** covering postage and handling.
3. This warranty is **NOT** void for owners who attempt to repair defective units. Technical consultation is available by calling the Service Department at 662-323-0549 or the MFJ Factory at 662-323-5869.
4. This warranty does not apply to kits sold by or manufactured by MFJ Enterprises, Inc.
5. Wired and tested PC board products are covered by this warranty provided **only the wired and tested PC board product is returned**. Wired and tested PC boards installed in the owner's cabinet or connected to switches, jacks, or cables, etc. sent to MFJ Enterprises, Inc. will be returned at the owner's expense unrepaired.
6. Under no circumstances is MFJ Enterprises, Inc. liable for consequential damages to person or property by the use of any MFJ products.
7. **Out-of-Warranty Service:** MFJ Enterprises, Inc. will repair any out-of-warranty product provided the unit is shipped prepaid. All repaired units will be shipped COD to the owner. Repair charges will be added to the COD fee unless other arrangements are made.
8. This warranty is given in lieu of any other warranty expressed or implied.
9. MFJ Enterprises, Inc. reserves the right to make changes or improvements in design or manufacture without incurring any obligation to install such changes upon any of the products previously manufactured.
10. All MFJ products to be serviced in-warranty or out-of-warranty should be addressed to:

**MFJ Enterprises, Inc.,
300 Industrial Park Road
Starkville, Mississippi 39759 USA**

and must be accompanied by a letter describing the problem in detail along with a copy of your dated proof-of-purchase.

11. This warranty gives you specific rights, and you may also have other rights which vary from state to state.



MFJ ENTERPRISES, INC.

300 Industrial Park Road
Starkville, MS 39759

MFJ-834H Manual
Version 1A
Printed In U.S.A.